



US00D577719S

(12) **United States Design Patent**  
**Kobeli et al.**

(10) **Patent No.:** **US D577,719 S**  
(45) **Date of Patent:** **\*\* Sep. 30, 2008**

(54) **COMPUTER HAVING A DOOR**

(75) Inventors: **Lea Kobeli**, San Francisco, CA (US);  
**Fred Thomas**, Fort Collins, CO (US);  
**Andrew Zee**, Hong Kong (HK);  
**Matthew Peterson**, San Francisco, CA  
(US); **Arthur Sandoval**, San Francisco,  
CA (US); **Kathy Miner**, Fort Collins,  
CO (US); **Daniel Thero**, Fort Collins,  
CO (US); **Kenneth Wood**, Portola  
Valley, CA (US); **Anthony Hernandez**,  
Fort Collins, CO (US)

(73) Assignee: **Hewlett-Packard Development  
Company, L.P.**, Houston, TX (US)

(\*\*) Term: **14 Years**

(21) Appl. No.: **29/286,210**

(22) Filed: **Apr. 27, 2007**

(51) **LOC (8) Cl.** ..... **14-02**

(52) **U.S. Cl.** ..... **D14/300; D14/441**

(58) **Field of Classification Search** ..... D14/441-446,  
D14/349, 356, 432; D13/162, 184, 199;  
211/26; 361/680-687, 690-696; 369/34.01,  
369/36.01; 312/223.1-223.3; 340/635

See application file for complete search history.

(56) **References Cited**

**U.S. PATENT DOCUMENTS**

D308,671 S 6/1990 Aderman et al.  
D338,662 S 8/1993 Sharp

(Continued)

**OTHER PUBLICATIONS**

U.S. Appl. No. 29/258,901, McClelland, II et al.

(Continued)

*Primary Examiner*—Freda S Nunn

(57) **CLAIM**

The ornamental design for a computer having a door, as shown and described.

**DESCRIPTION**

FIG. 1 is a front perspective view of an embodiment of the design for the computer having a door, wherein the door has a first series of perforated horizontal panels separated by a first series of non-perforated horizontal bars, the first series of non-perforated horizontal bars has a non-illuminable left portion and an illuminable right portion, and the door is illustrated in a closed or latched position with respect to a chassis of the computer;

FIG. 2 is a front view of an embodiment of the design for a computer having a door;

FIG. 3 is a rear view of an embodiment of the design for the computer having a door, wherein a central rear portion of the computer has a second series of perforated horizontal panels separated by a second series of non-perforated horizontal bars;

FIG. 4 is a left side elevational view of an embodiment of the design for the computer having a door, wherein a front side and a rear side of the computer taper inwardly from a top side to a bottom side;

FIG. 5 is a right side elevational view of an embodiment of the design for the computer having a door, wherein the front side and the rear side of the computer taper inwardly from the top side to the bottom side;

FIG. 6 is a top plan view of an embodiment of the design for the computer having a door;

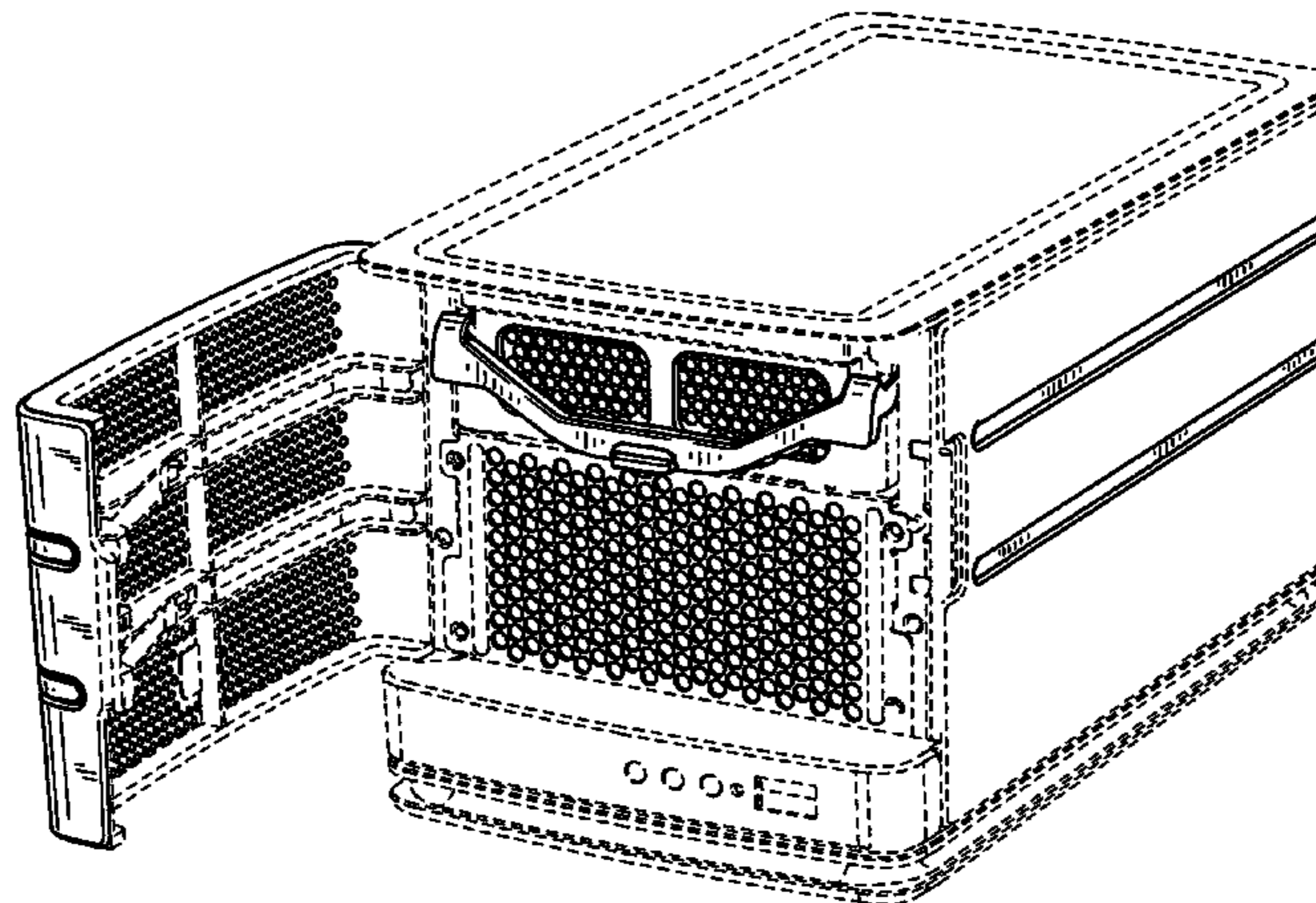
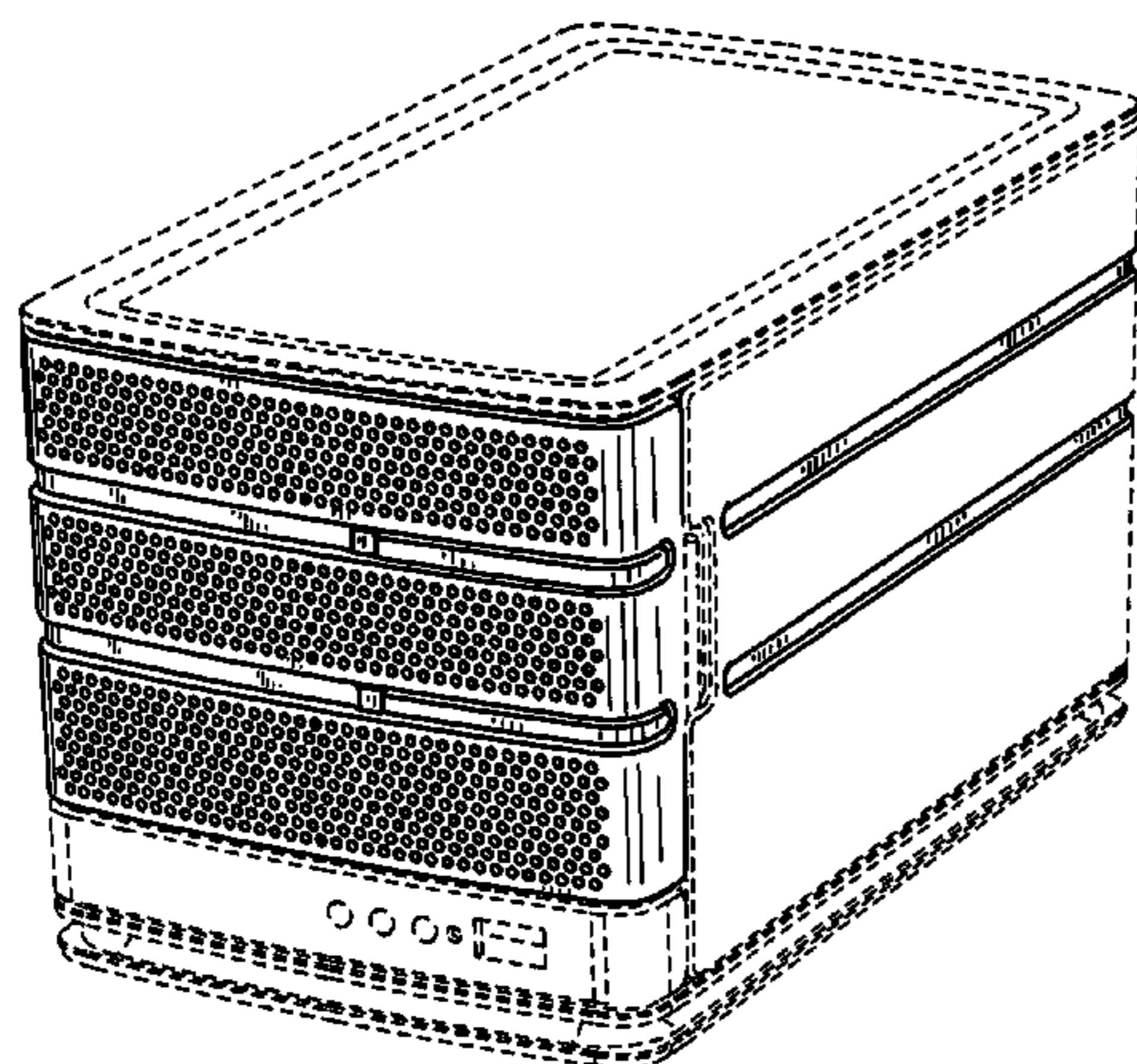
FIG. 7 is a bottom plan view of an embodiment of the design for the computer having a door;

FIG. 8 is a front perspective view of an embodiment of the design for the computer having a door, wherein the door is illustrated in an open or unlatched position rotated partially away from the chassis of the computer, a modular component is illustrated with a latch/release handle having a horizontal axis of rotation; and,

FIG. 9 is a front view of an embodiment of the design for the computer having a door, wherein the door is illustrated in the open or unlatched position rotated partially away from the chassis of the computer.

In these drawings, the solid lines illustrate the claimed ornamental design, whereas the broken lines illustrate environmental features that form no part of the claimed ornamental design.

**1 Claim, 9 Drawing Sheets**



# US D577,719 S

Page 2

## U.S. PATENT DOCUMENTS

D348,051 S	6/1994	Noble	
D362,433 S	9/1995	Chen	
D401,569 S	11/1998	Massaro	
D405,063 S	2/1999	Lee et al.	
5,884,988 A *	3/1999	Foo et al. ....	312/223.2
D409,592 S	5/1999	Prestigomo	
D409,593 S	5/1999	Prestigomo	
D410,912 S	6/1999	Bloch et al.	
6,000,769 A	12/1999	Chen	
6,075,698 A *	6/2000	Hogan et al. ....	361/695
D428,014 S	7/2000	Bostedt et al.	
D431,245 S	9/2000	Searby et al.	
D435,559 S *	12/2000	Tanaka .....	D14/444
D439,582 S *	3/2001	Jensen et al. ....	D14/445
D445,112 S	7/2001	Koken et al.	
D447,483 S	9/2001	Wu	
D454,881 S	3/2002	Daniels et al.	
D455,153 S	4/2002	Gant et al.	
D455,154 S	4/2002	Daniels et al.	
D455,753 S	4/2002	Daniels et al.	
D455,754 S	4/2002	Gant et al.	
D460,457 S	7/2002	Caughlan et al.	
D461,816 S	8/2002	Caughlan et al.	
D462,348 S *	9/2002	Tanaka .....	D14/356
6,454,646 B1	9/2002	Helgenberg et al.	
D464,056 S	10/2002	Skandalis	
D469,087 S *	1/2003	Sue et al. ....	D14/349
D470,853 S *	2/2003	Macor et al. ....	D14/441
6,554,697 B1	4/2003	Koplin	
D474,186 S	5/2003	Frank et al.	
D481,394 S	10/2003	Kuehn et al.	
D485,278 S	1/2004	Wang et al.	
D492,315 S	6/2004	Gant et al.	
D493,465 S *	7/2004	Dearborn et al. ....	D14/432
6,776,707 B2	8/2004	Koplin	
D497,162 S	10/2004	Neal et al.	
6,836,407 B2 *	12/2004	Faneuf et al. ....	361/687
D500,501 S	1/2005	Davis	
D500,502 S	1/2005	Davis	
6,891,720 B2	5/2005	Voon et al.	
D506,201 S	6/2005	McClelland, II	
D507,000 S	7/2005	Wang	
D514,113 S	1/2006	McClelland, II	
D522,006 S	5/2006	McClelland, II et al.	
D522,521 S	6/2006	McClelland, II	
D530,718 S	10/2006	Neal et al.	
2005/0111179 A1 *	5/2005	Wu .....	361/684

## OTHER PUBLICATIONS

U.S. Appl. No. 29/261,984, Daniels et al.

\* cited by examiner



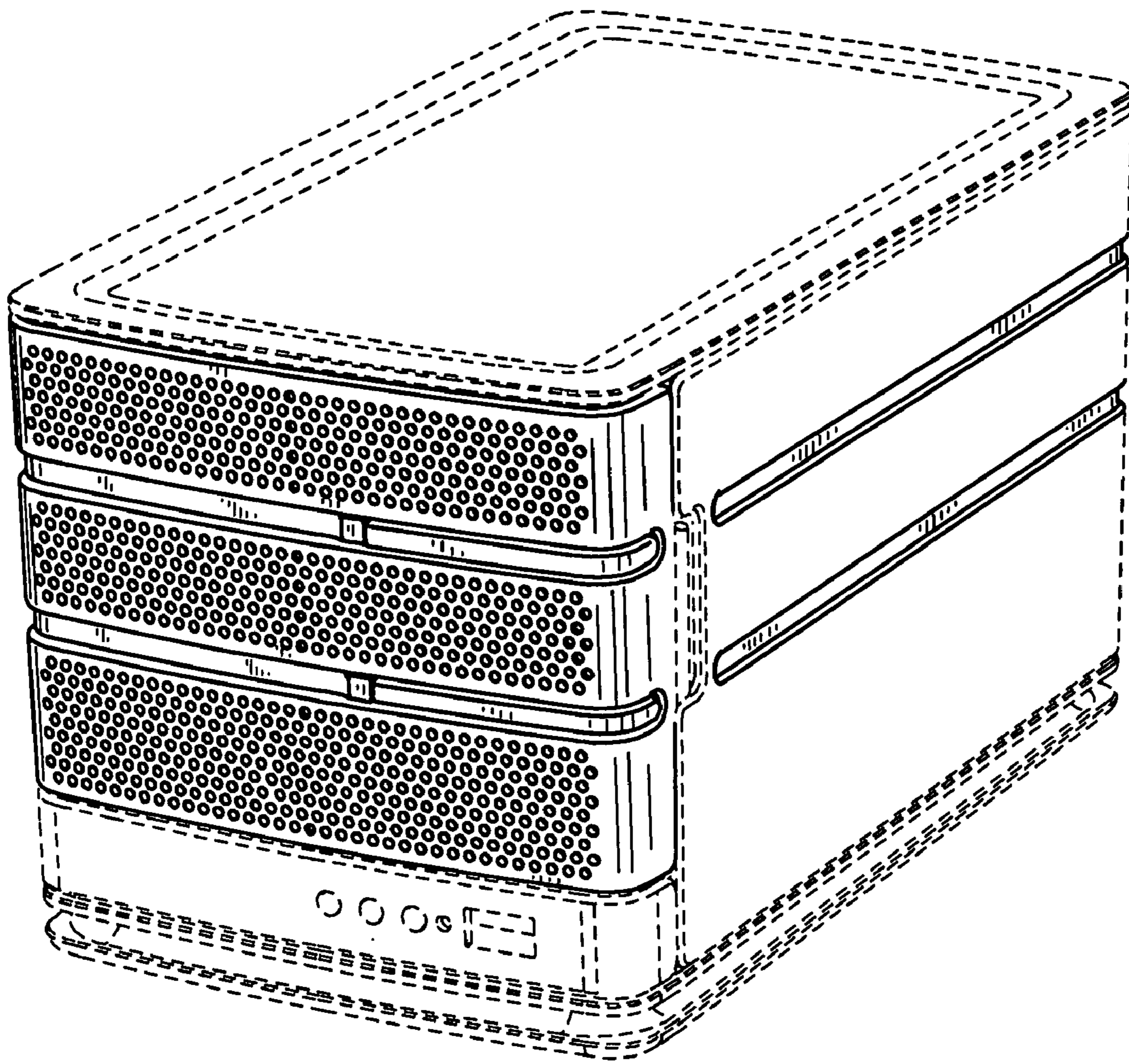


FIG. 1

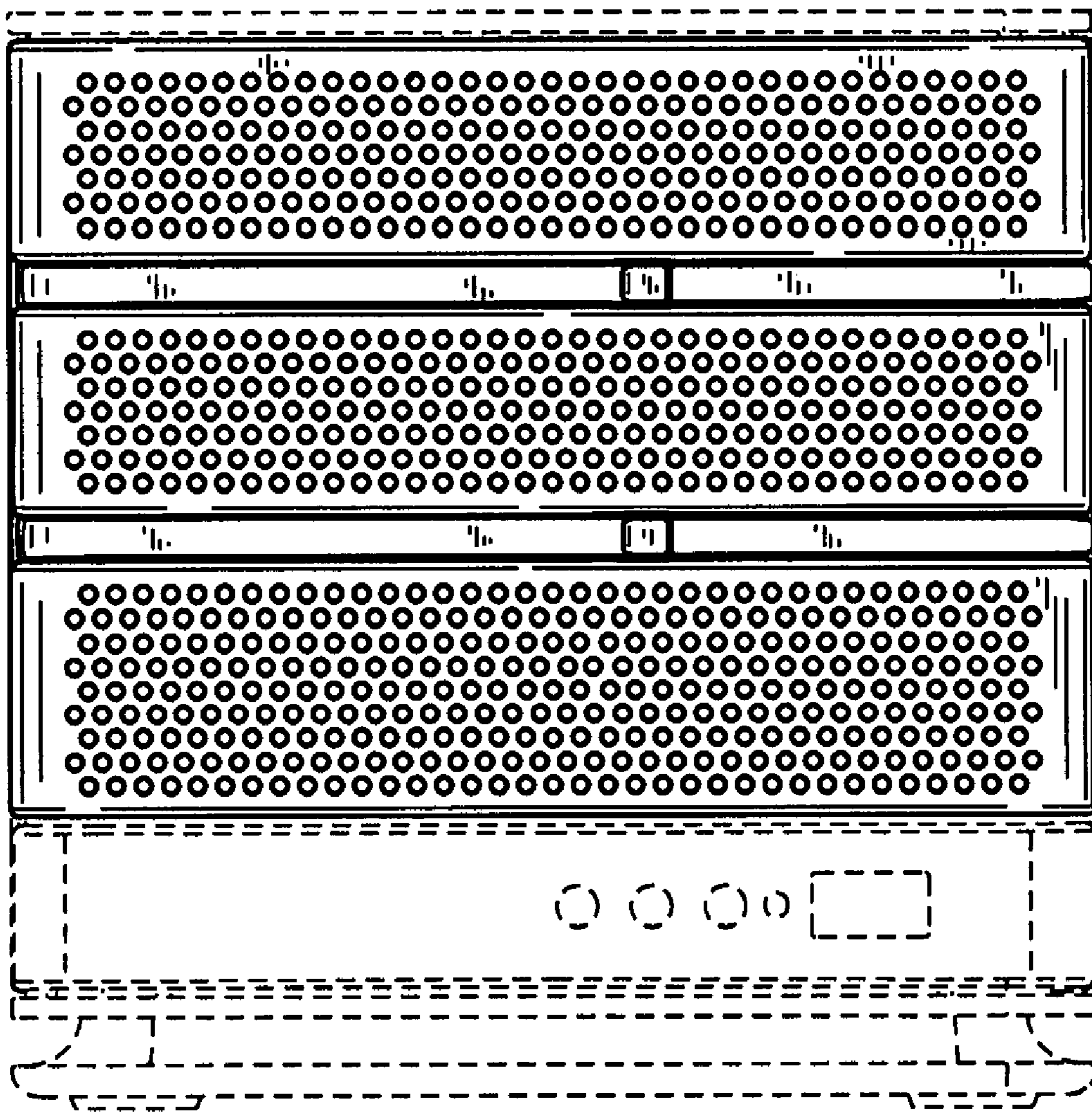


FIG. 2

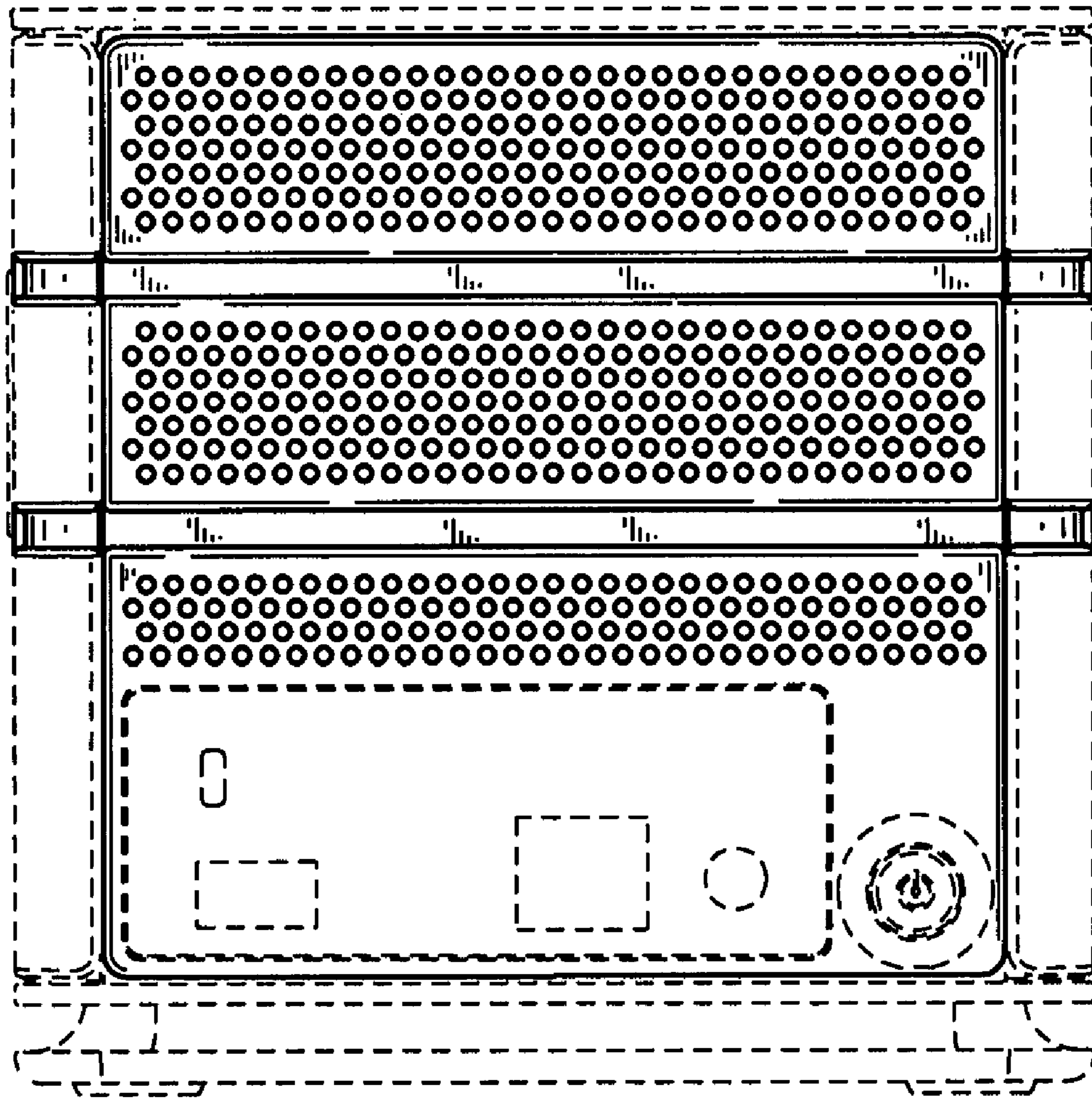


FIG. 3

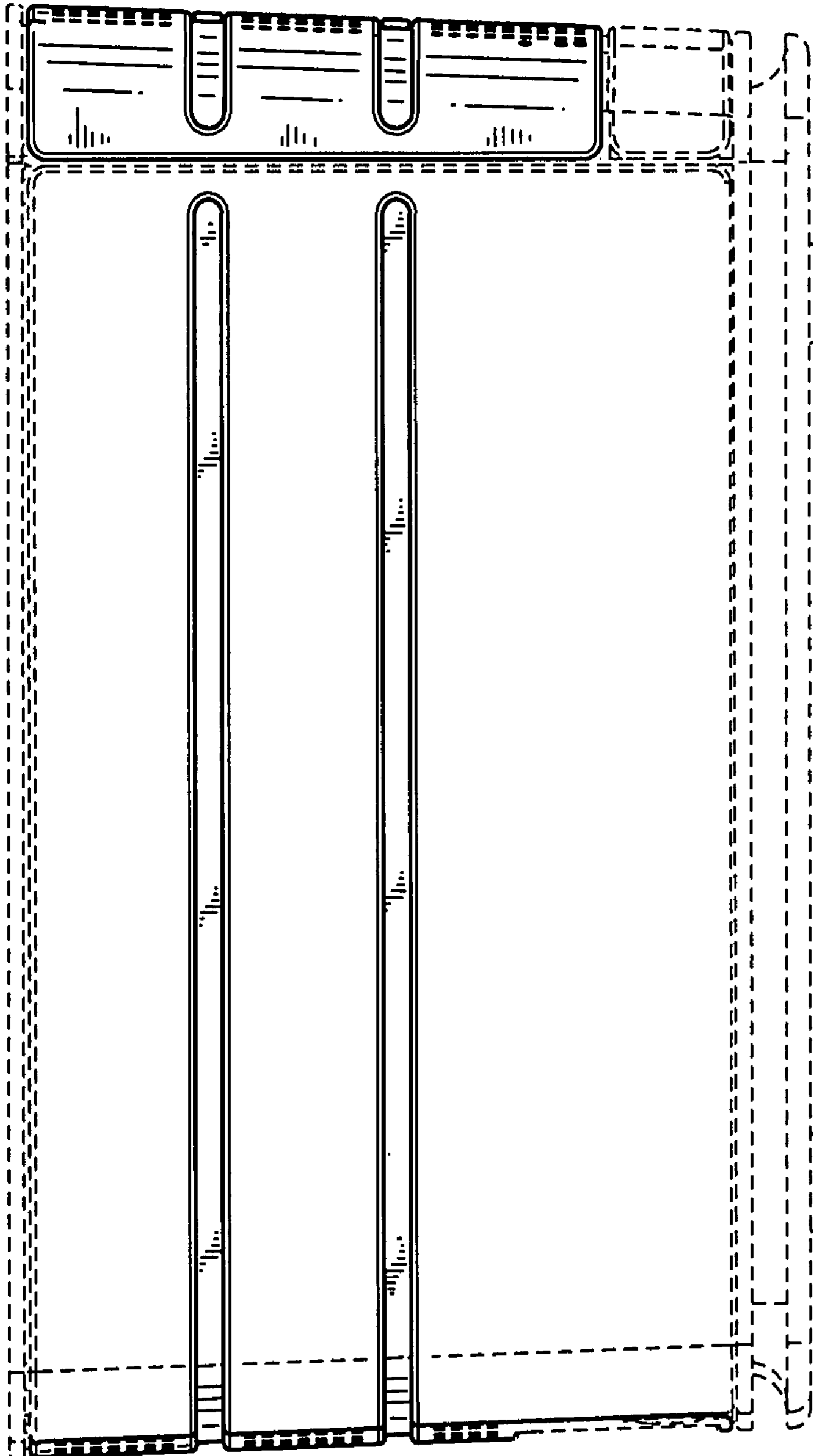


FIG. 4



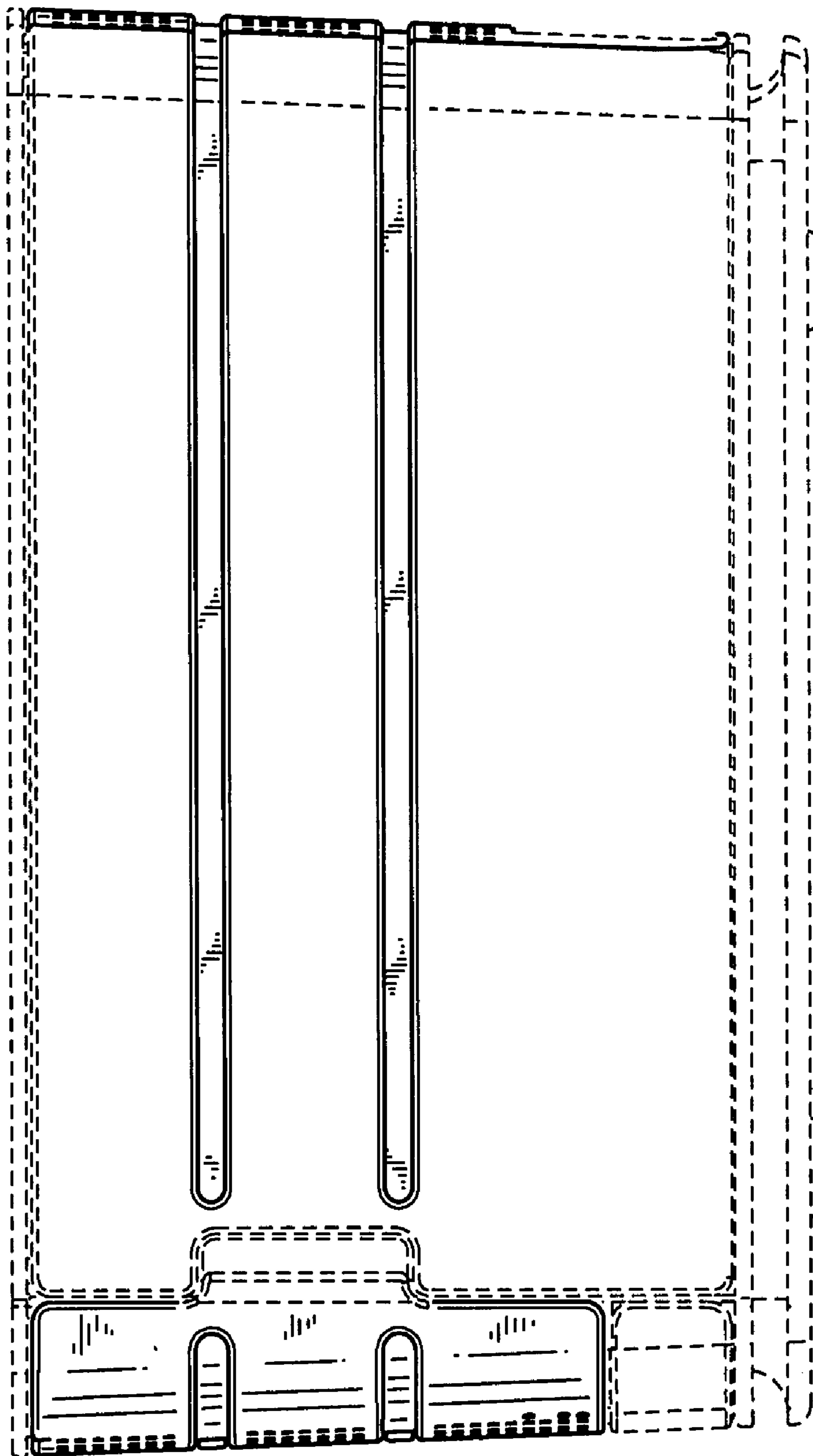


FIG. 5

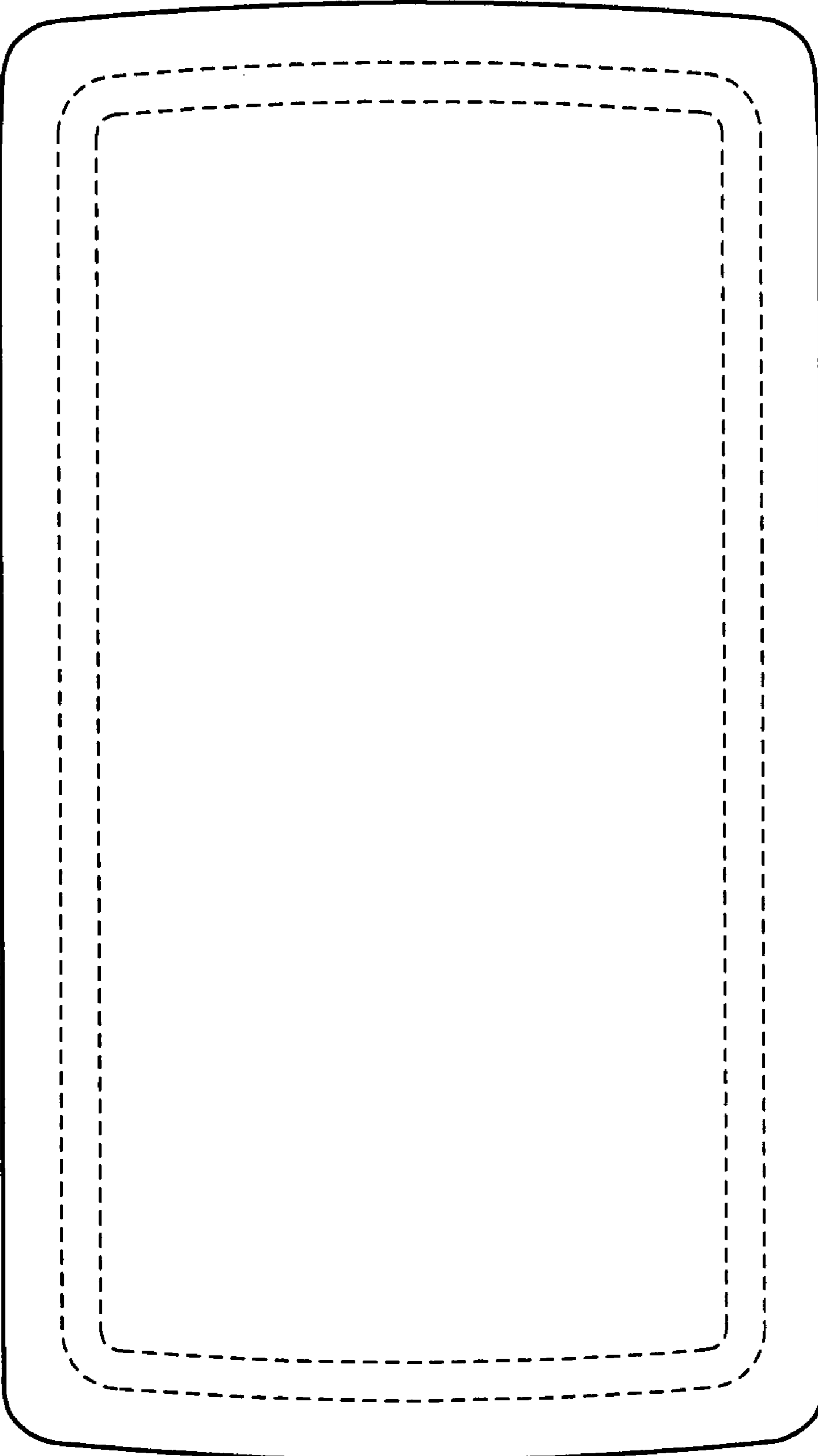


FIG. 6



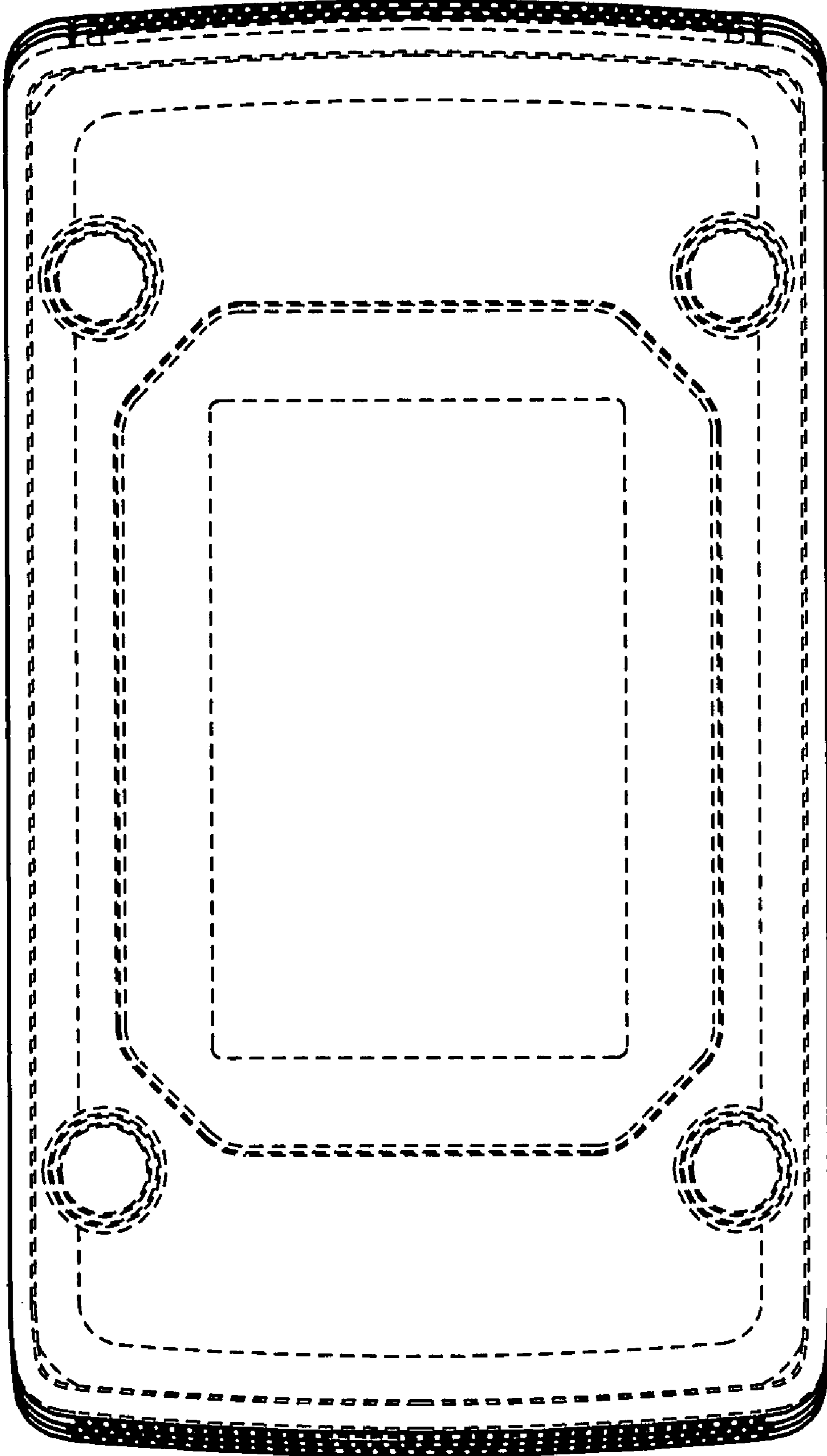


FIG. 7

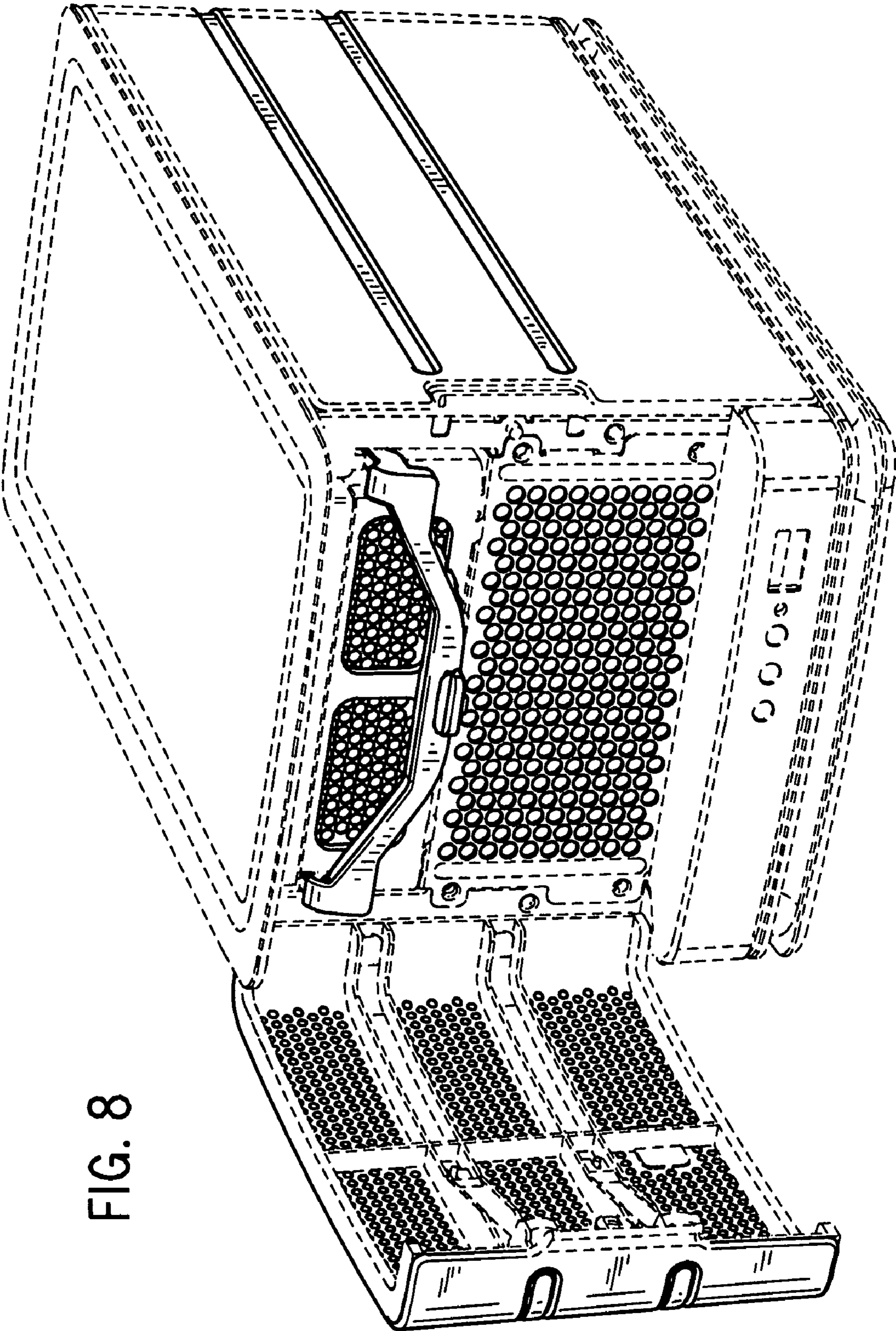


FIG. 8

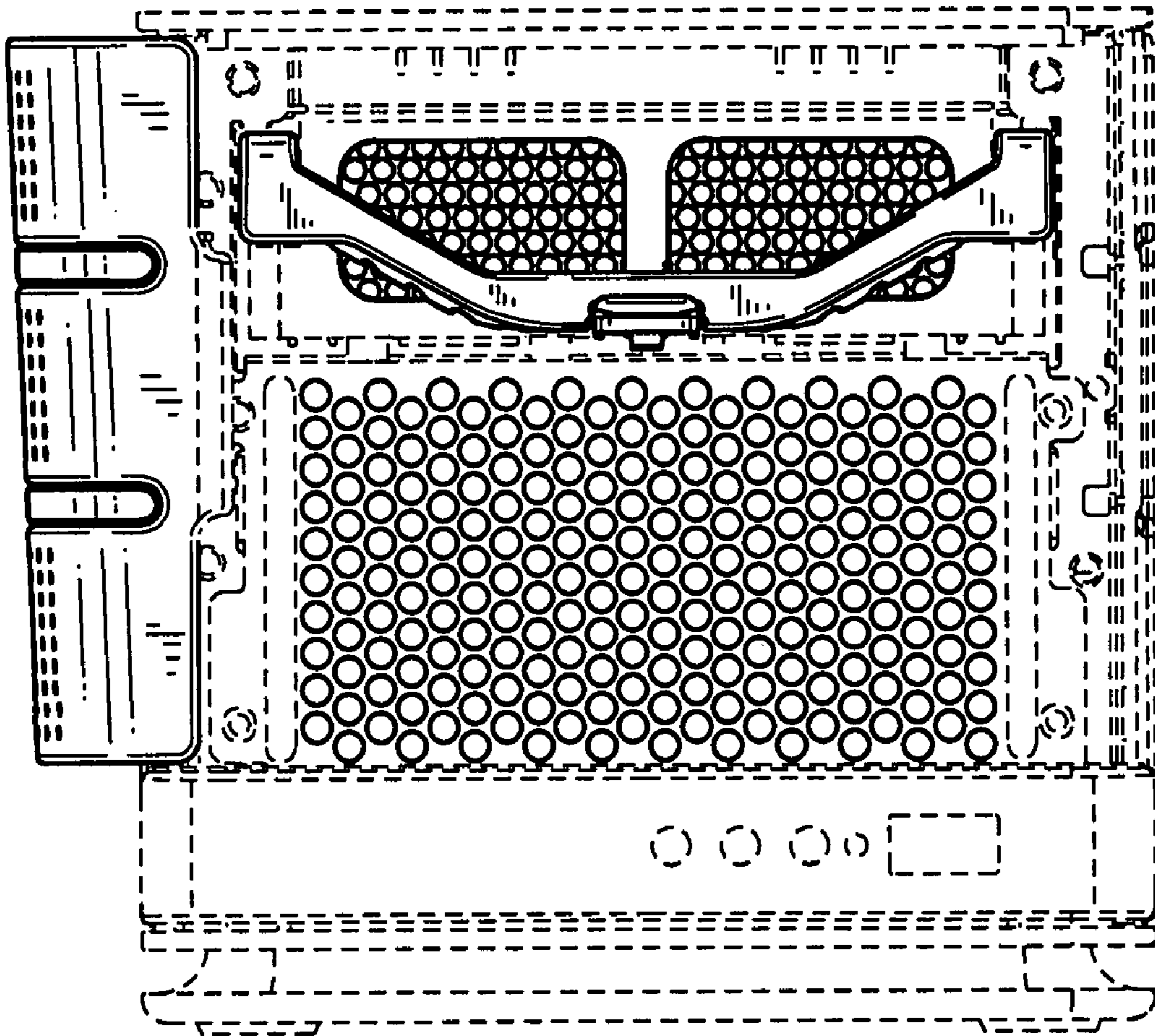


FIG. 9