



US00D577718S

(12) **United States Design Patent**
Muto

(10) **Patent No.:** **US D577,718 S**
(45) **Date of Patent:** **** Sep. 30, 2008**

(54) **DIGITAL AUDIO DISC PLAYER FOR AN AUTOMOBILE**

D534,887 S * 1/2007 Endo et al. D14/136
D537,057 S 2/2007 Mizokawa
D544,860 S * 6/2007 Kimura et al. D14/258

(75) Inventor: **Kanji Muto**, Kadoma (JP)

FOREIGN PATENT DOCUMENTS

(73) Assignee: **Matsushita Electric Industrial Co., Ltd.**, Osaka (JP)

JP D1302936 6/2007
JP D1302937 6/2007
JP D1302938 6/2007
JP D1303611 6/2007
JP D1320976 2/2008

(**) Term: **14 Years**

(21) Appl. No.: **29/299,480**

* cited by examiner

(22) Filed: **Dec. 27, 2007**

Primary Examiner—Nanda Bondade

(30) **Foreign Application Priority Data**

(74) *Attorney, Agent, or Firm*—Brinks Hofer Gilson & Lione

Aug. 8, 2007 (JP) 2007-021643

(57) **CLAIM**

(51) **LOC (8) Cl.** **14-01**

I claim the ornamental design for a digital audio disc player for an automobile, as shown and described.

(52) **U.S. Cl.** **D14/258**

(58) **Field of Classification Search** D14/135–136, D14/156–157, 168, 197–198, 188, 257, 258; 360/99.02, 99.07; 369/75.11, 75.21, 77.21, 369/77.11; 720/612, 619, 647, 655; 455/344, 455/347–351

DESCRIPTION

See application file for complete search history.

FIG. 1 is a top perspective view of a digital audio disc player for an automobile of the present invention;

FIG. 2 is a front view thereof;

FIG. 3 is a top view thereof;

FIG. 4 is a first side view thereof;

FIG. 5 is a second side view thereof; and,

FIG. 6 is a bottom view thereof.

The broken line showing of digital audio disc player for an automobile is included for the purpose of illustrating environment and forms no part of the claimed design.

(56) **References Cited**

U.S. PATENT DOCUMENTS

D391,958 S 3/1998 Miyazawa et al.
D446,510 S 8/2001 Hori et al.
D477,298 S 7/2003 Hori et al.
D515,550 S 2/2006 Mizokawa et al.
D516,536 S 3/2006 Mizokawa
D533,535 S 12/2006 Mizokawa

1 Claim, 3 Drawing Sheets

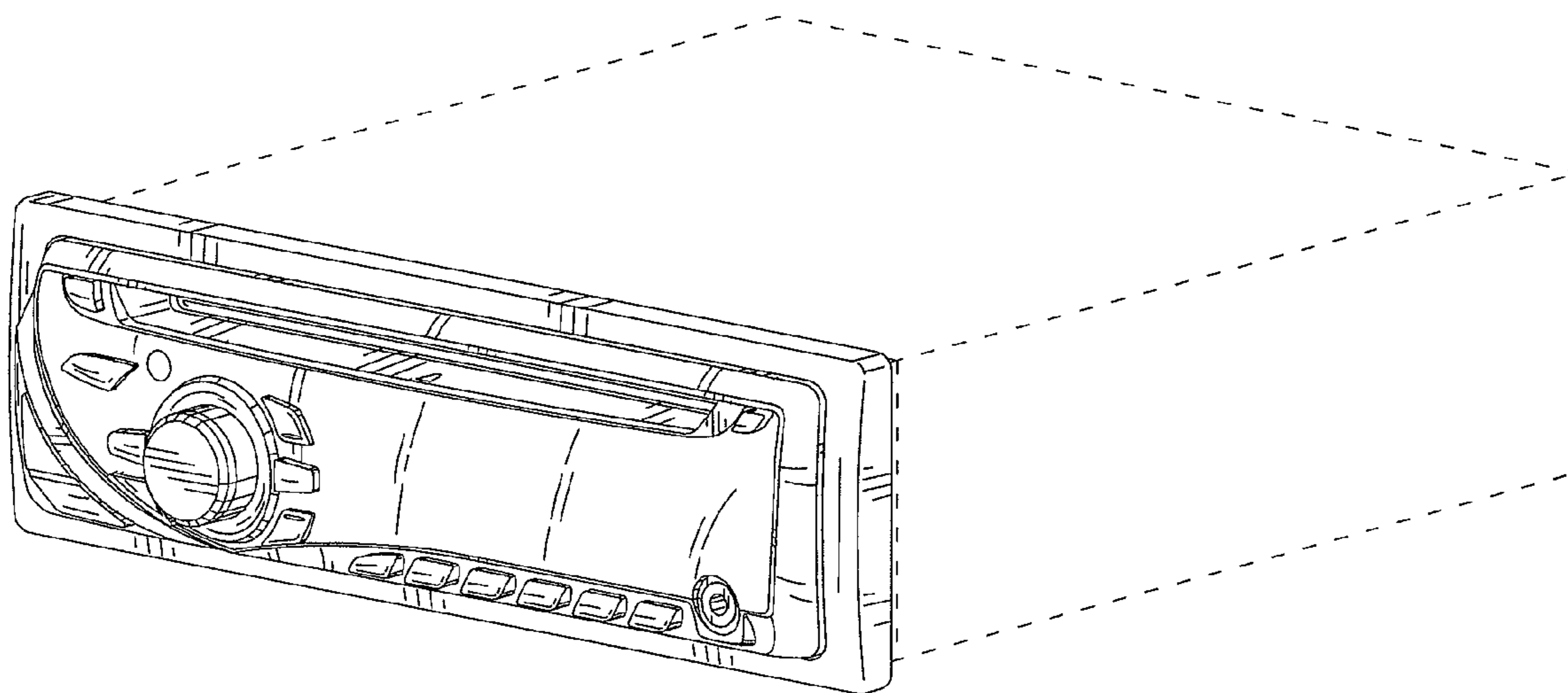


FIG.1

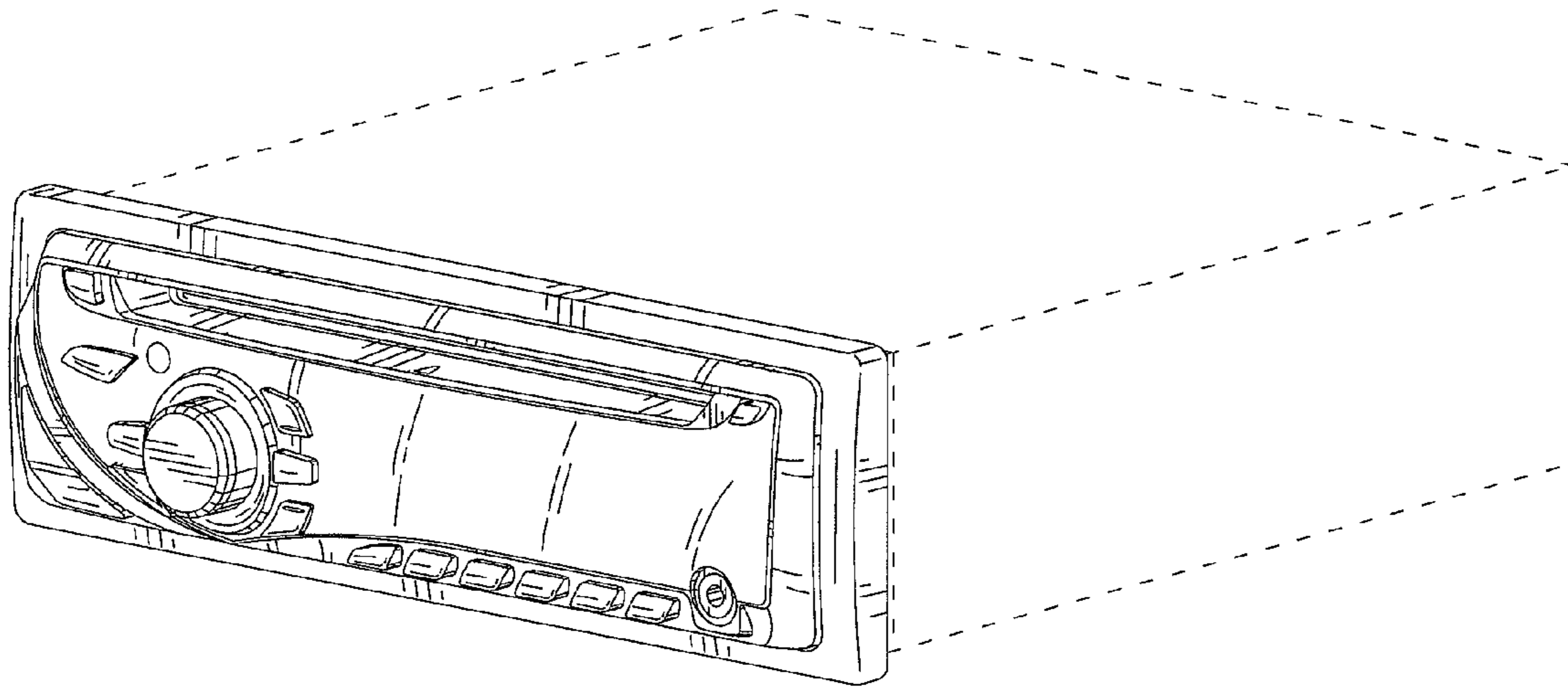


FIG.2

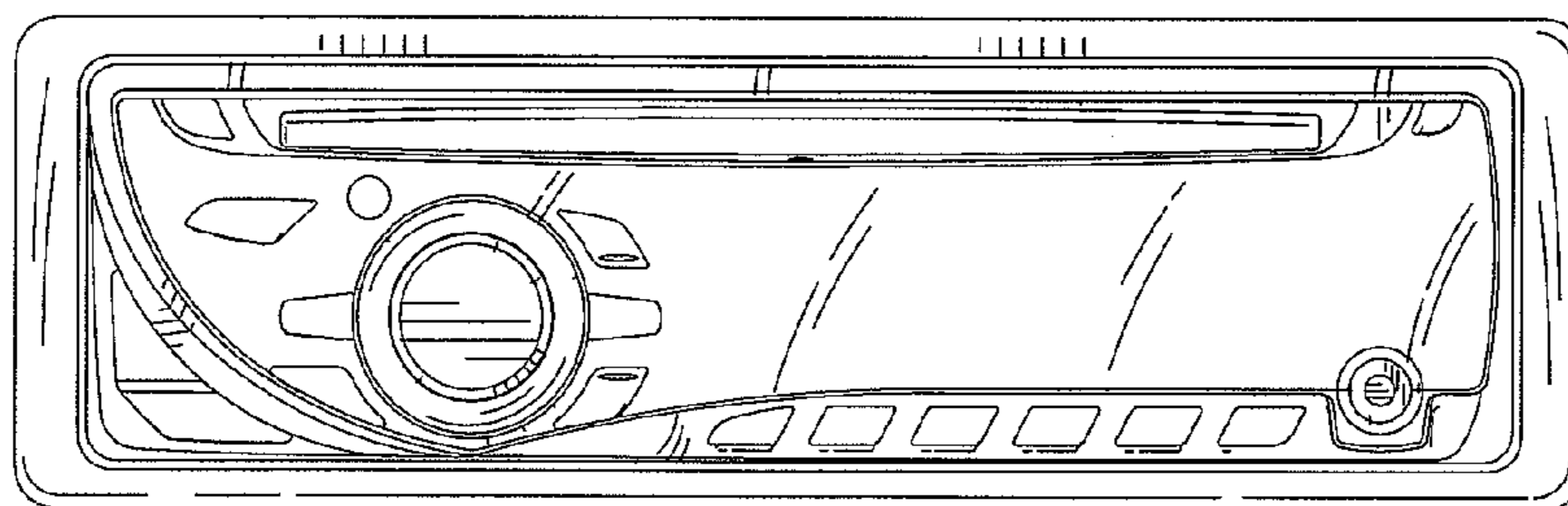


FIG.3

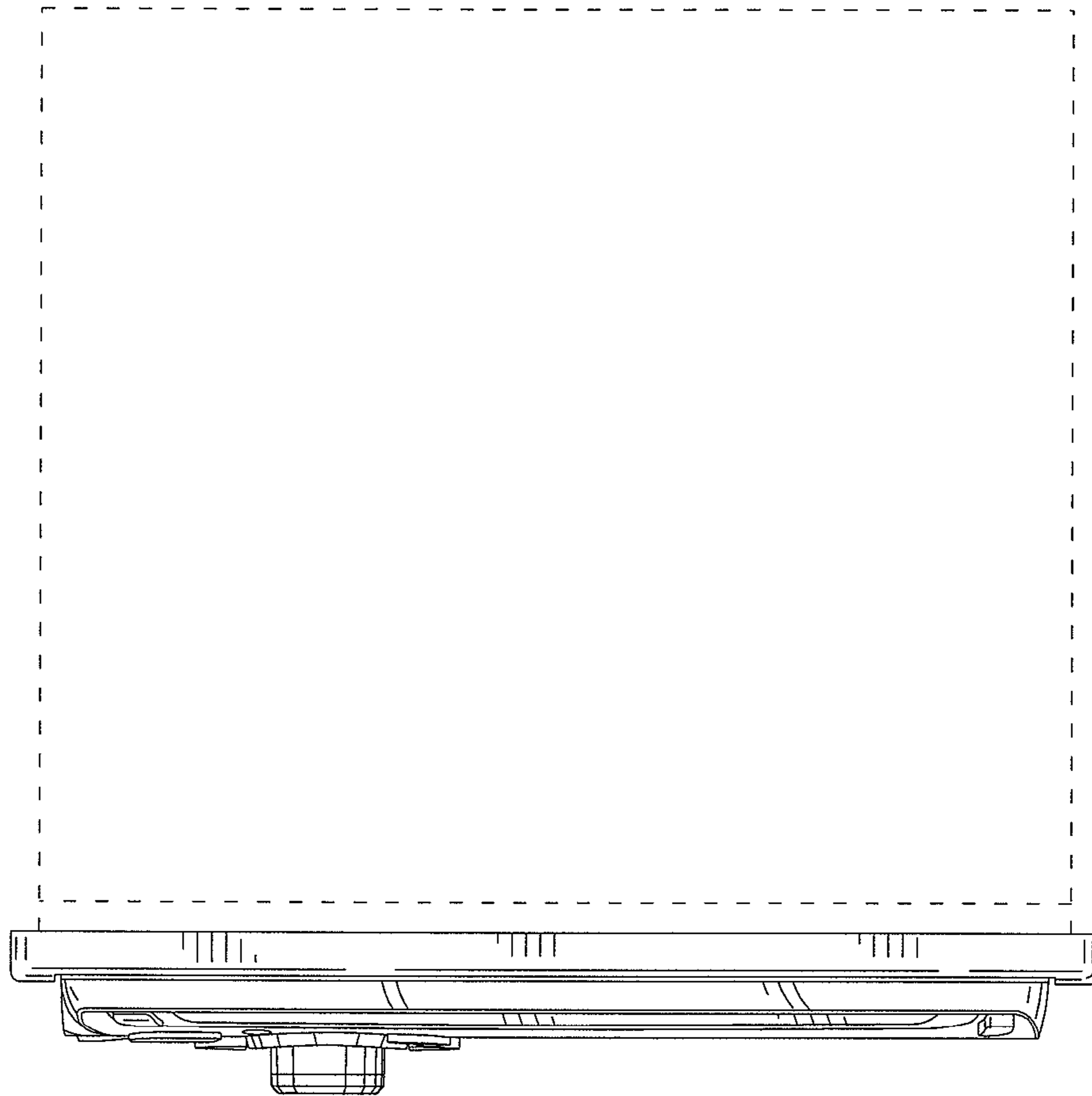


FIG.4



FIG.5



FIG.6

