



US00D577713S

(12) **United States Design Patent**
Kim et al.

(10) **Patent No.:** **US D577,713 S**
(45) **Date of Patent:** **** Sep. 30, 2008**

(54) **REMOTE CONTROL FOR A CELLULAR PHONE**

(75) Inventors: **Min-Soo Kim**, Seoul (KR); **Yoon-Young Cho**, Seoul (KR); **Chang-Soo Lee**, Incheon (KR)

(73) Assignee: **Samsung Electronics Co., Ltd.**, Suwon-Si (KR)

(**) Term: **14 Years**

(21) Appl. No.: **29/271,347**

(22) Filed: **Jan. 17, 2007**

(51) **LOC (8) Cl.** **14-02**

(52) **U.S. Cl.** **D14/218; D14/240**

(58) **Field of Classification Search** D14/356, D14/358, 233, 240, 242, 300, 348, 388, 433, D14/218; D13/184; 360/69; 379/220.1, 379/220.14, 25, 93.09, 93.15, 156, 900, 338, 379/329; 381/124; 607/36; 455/550.1
See application file for complete search history.

(56) **References Cited**

U.S. PATENT DOCUMENTS

- D463,411 S * 9/2002 Stokes et al. D14/240
- D464,337 S * 10/2002 Arpe D14/240
- D480,716 S * 10/2003 Saikawa et al. D14/242
- D494,157 S * 8/2004 Wikel et al. D14/240

- D494,575 S * 8/2004 Wikel et al. D14/240
- D519,099 S * 4/2006 Liu et al. D14/240
- D520,991 S * 5/2006 Ma et al. D14/240
- D525,962 S * 8/2006 Elson D14/240
- D533,542 S * 12/2006 Suzuki et al. D14/218
- D548,728 S * 8/2007 Yoshiyama D14/218
- D554,625 S * 11/2007 Kato D14/218
- D554,631 S * 11/2007 Ma D14/240
- 2004/0224717 A1 * 11/2004 Hertzberg et al. 455/550.1

* cited by examiner

Primary Examiner—Charles A Rademaker

(74) *Attorney, Agent, or Firm*—Staas & Halsey LLP

(57) **CLAIM**

The ornamental design for a remote control for a cellular phone, as shown and described.

DESCRIPTION

FIG. 1 is a perspective view of a remote control for a cellular phone showing our new design;

FIG. 2 is a front elevational view thereof;

FIG. 3 is a rear elevational view thereof;

FIG. 4 is a left side elevational view thereof;

FIG. 5 is a right side elevational view thereof;

FIG. 6 is a top plan view thereof; and,

FIG. 7 is a bottom plan view thereof.

1 Claim, 6 Drawing Sheets

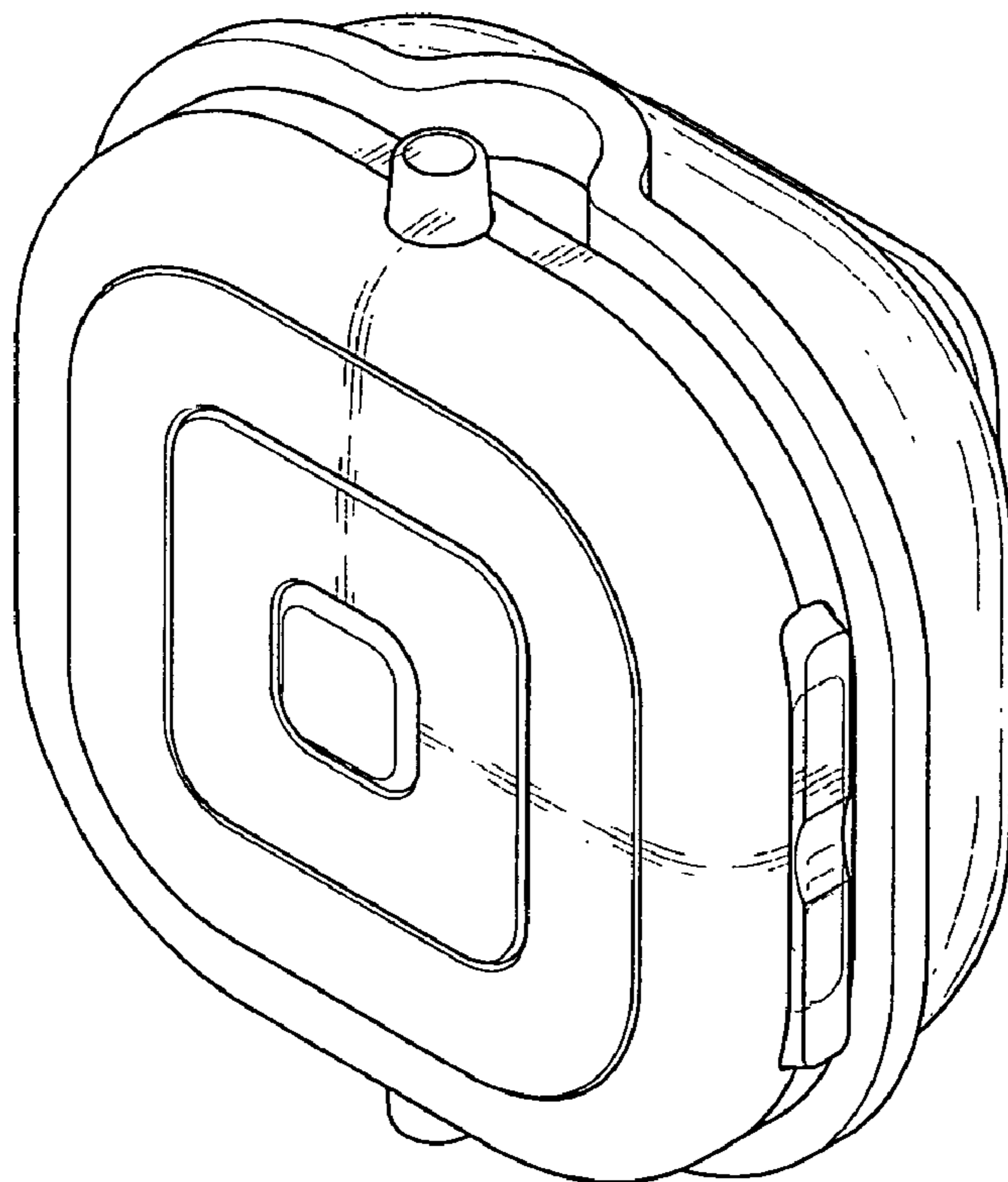


FIG. 1

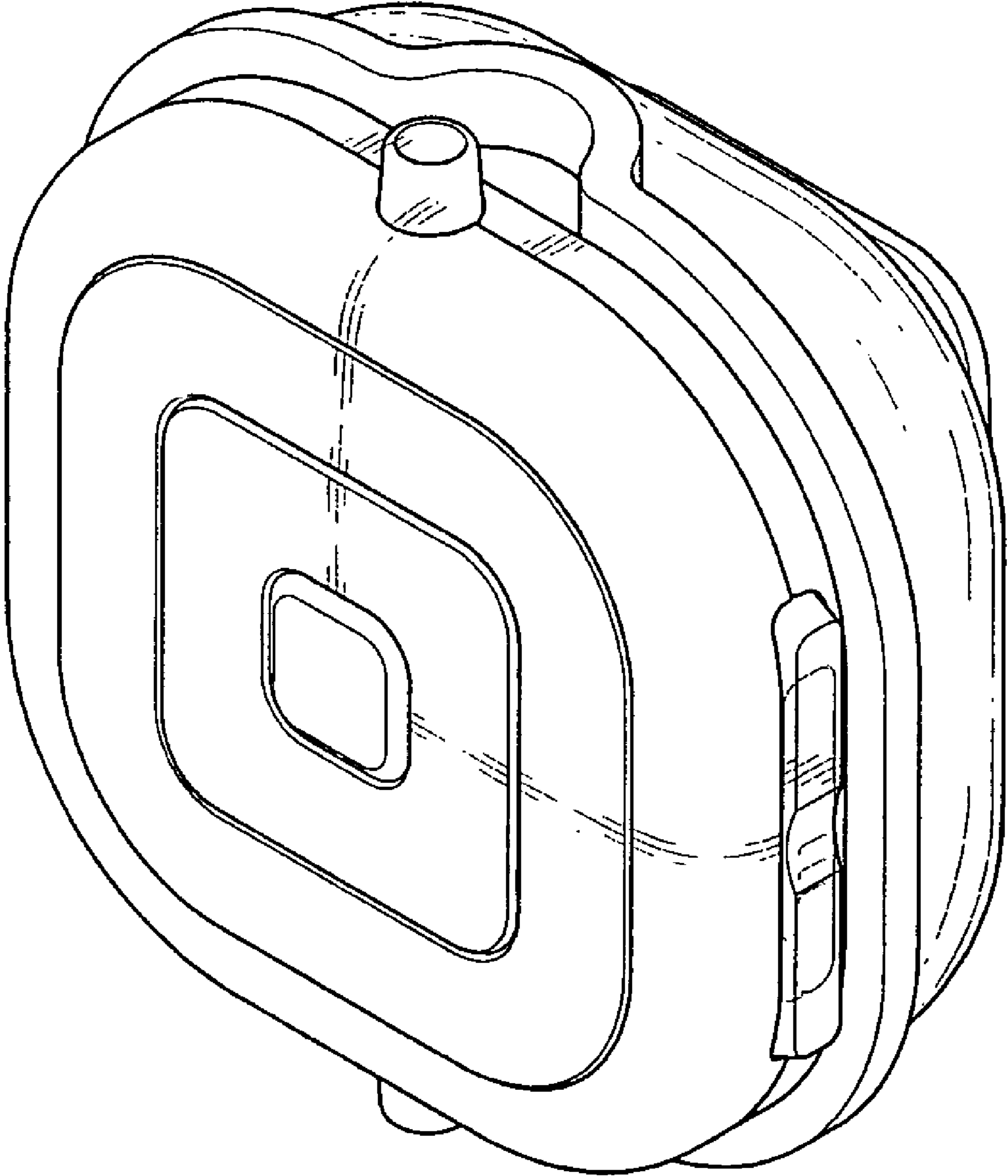


FIG.2

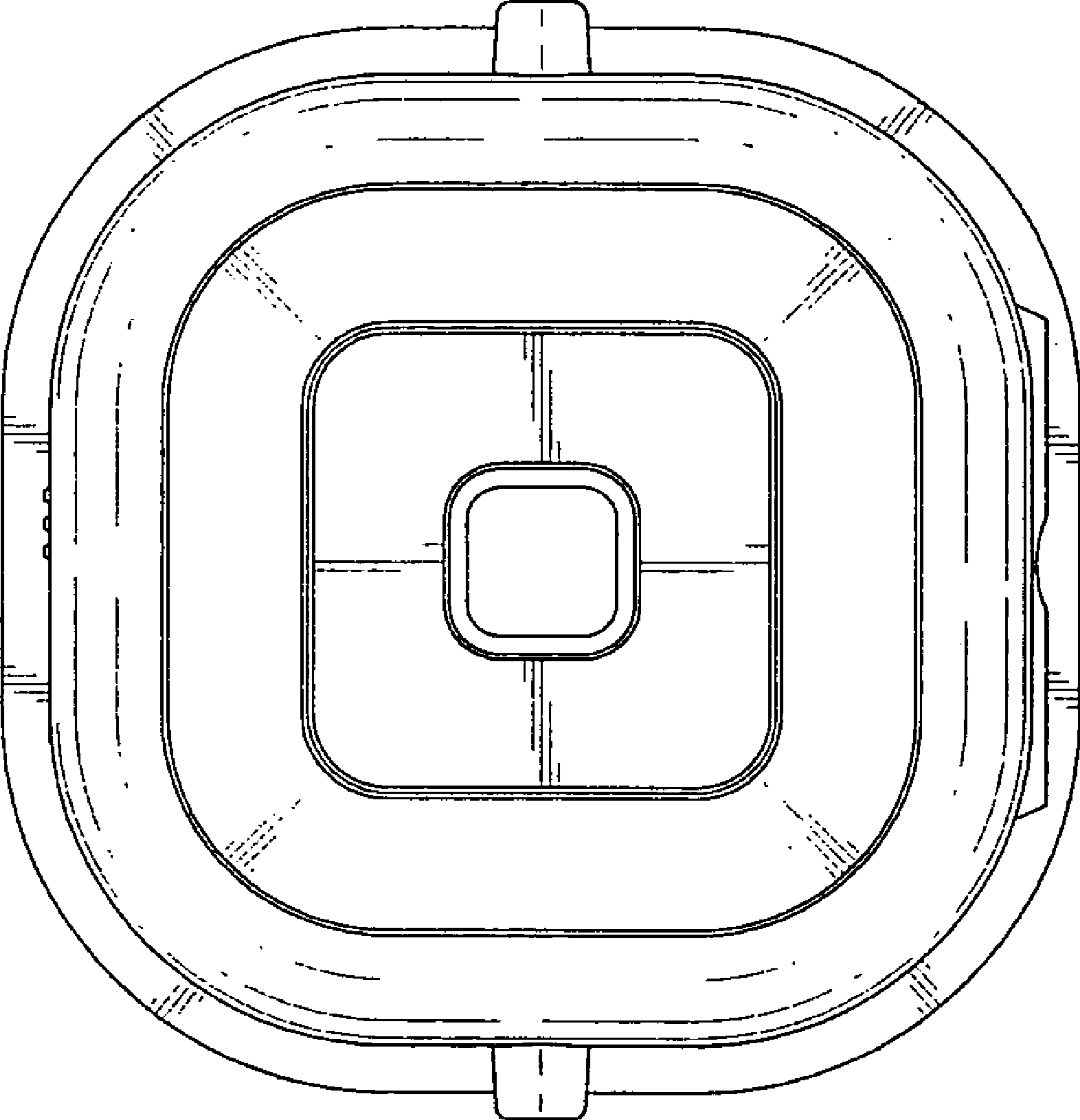


FIG.3

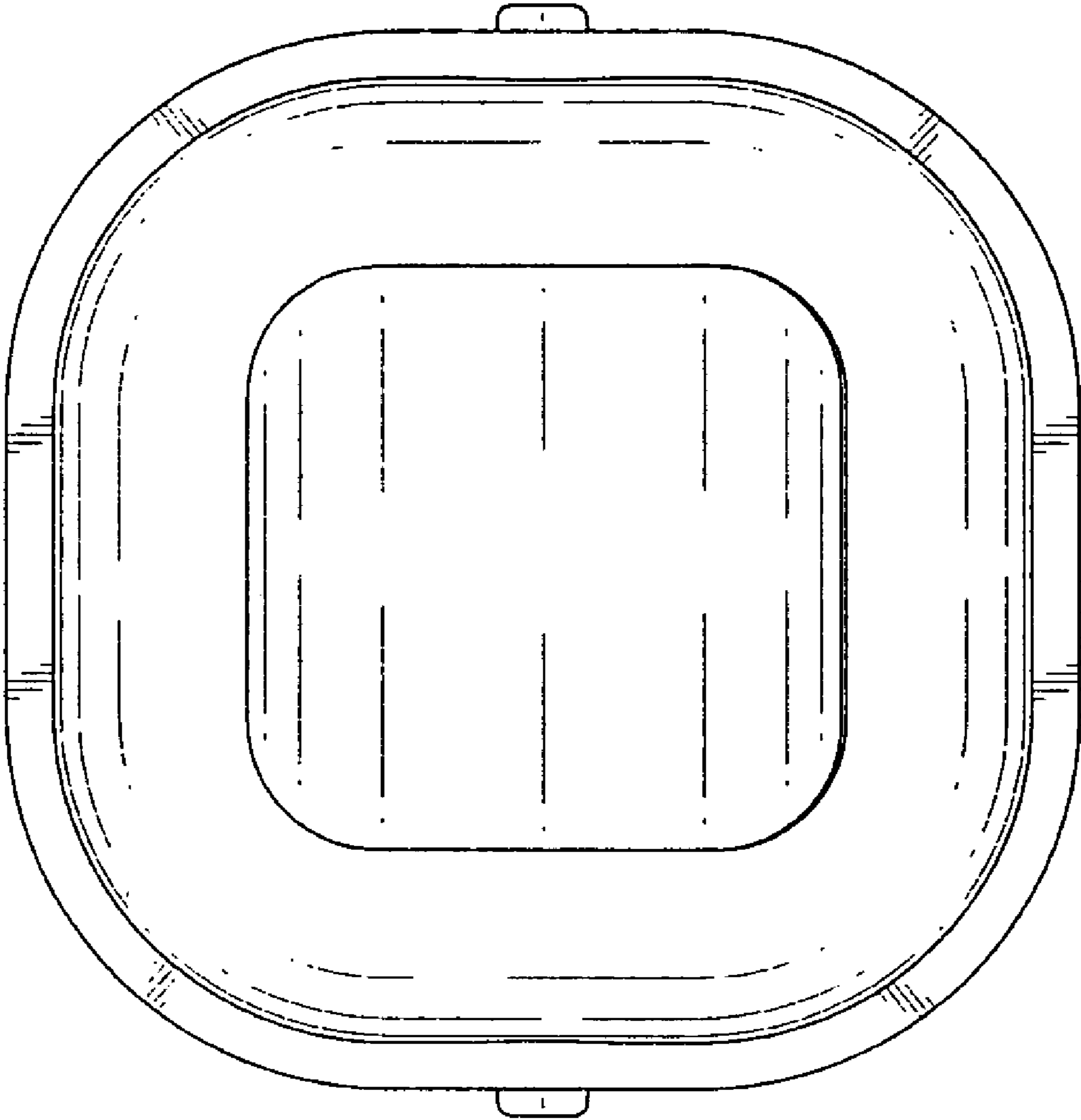


FIG. 4

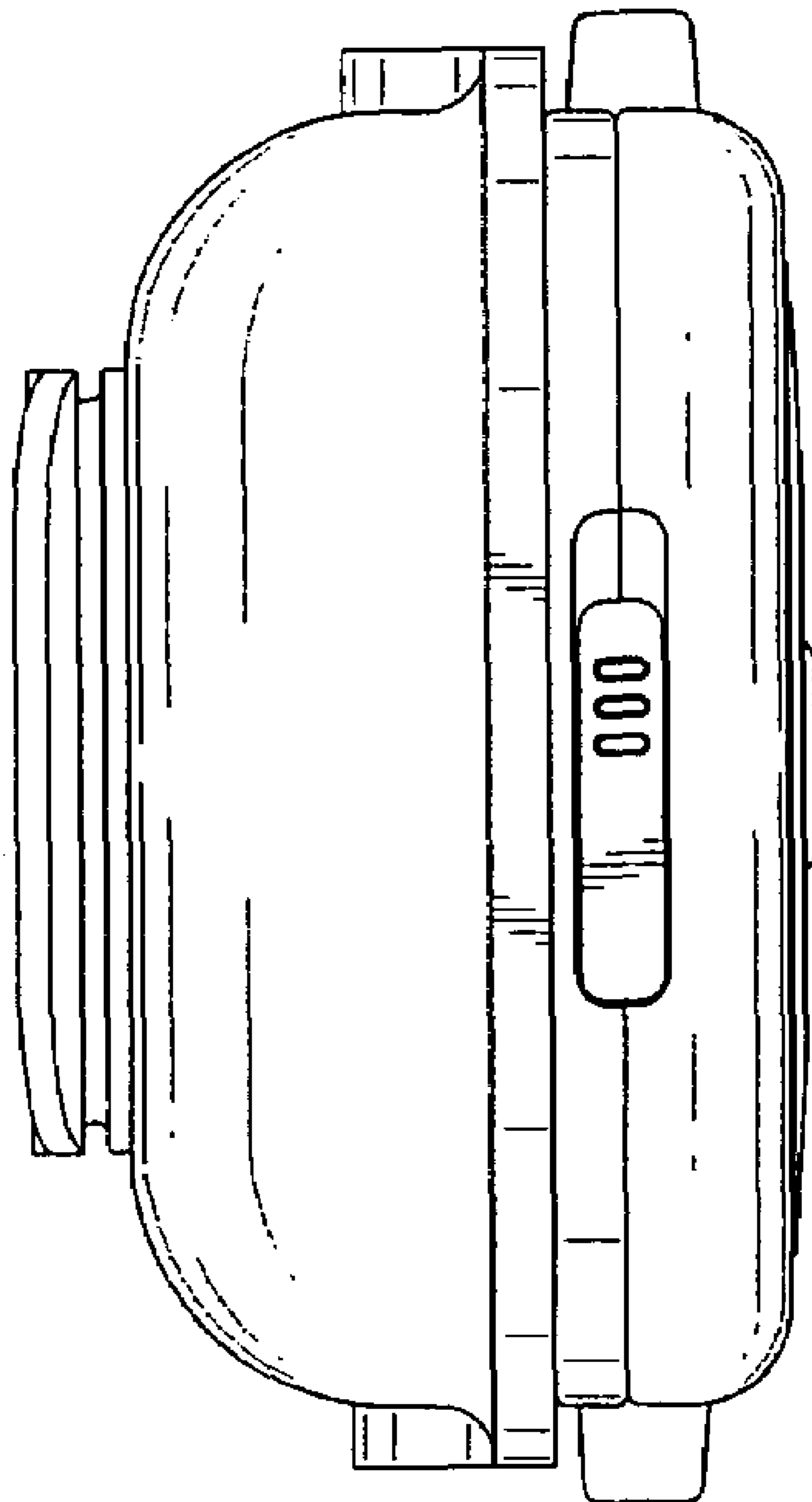


FIG. 5

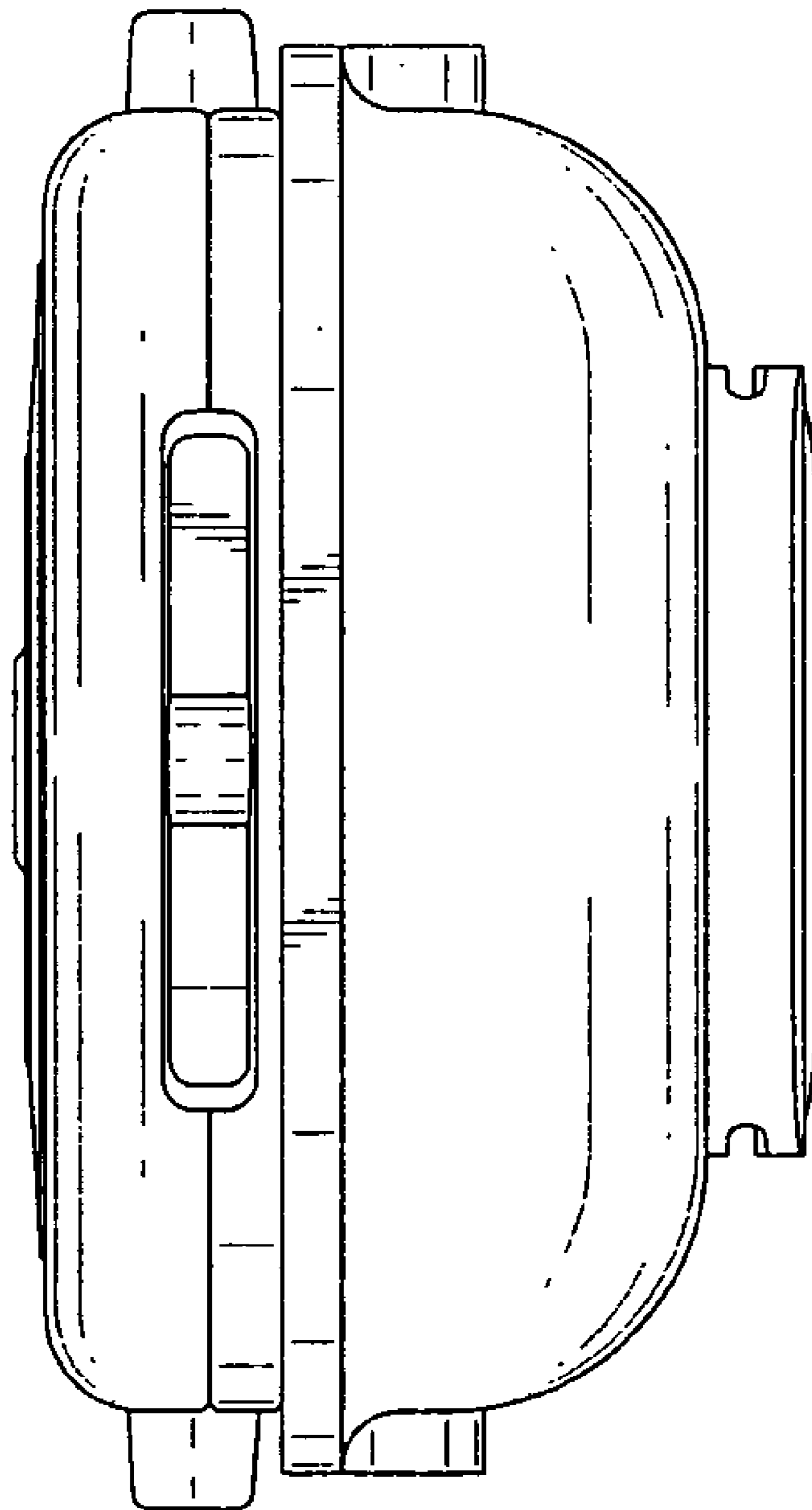


FIG.6

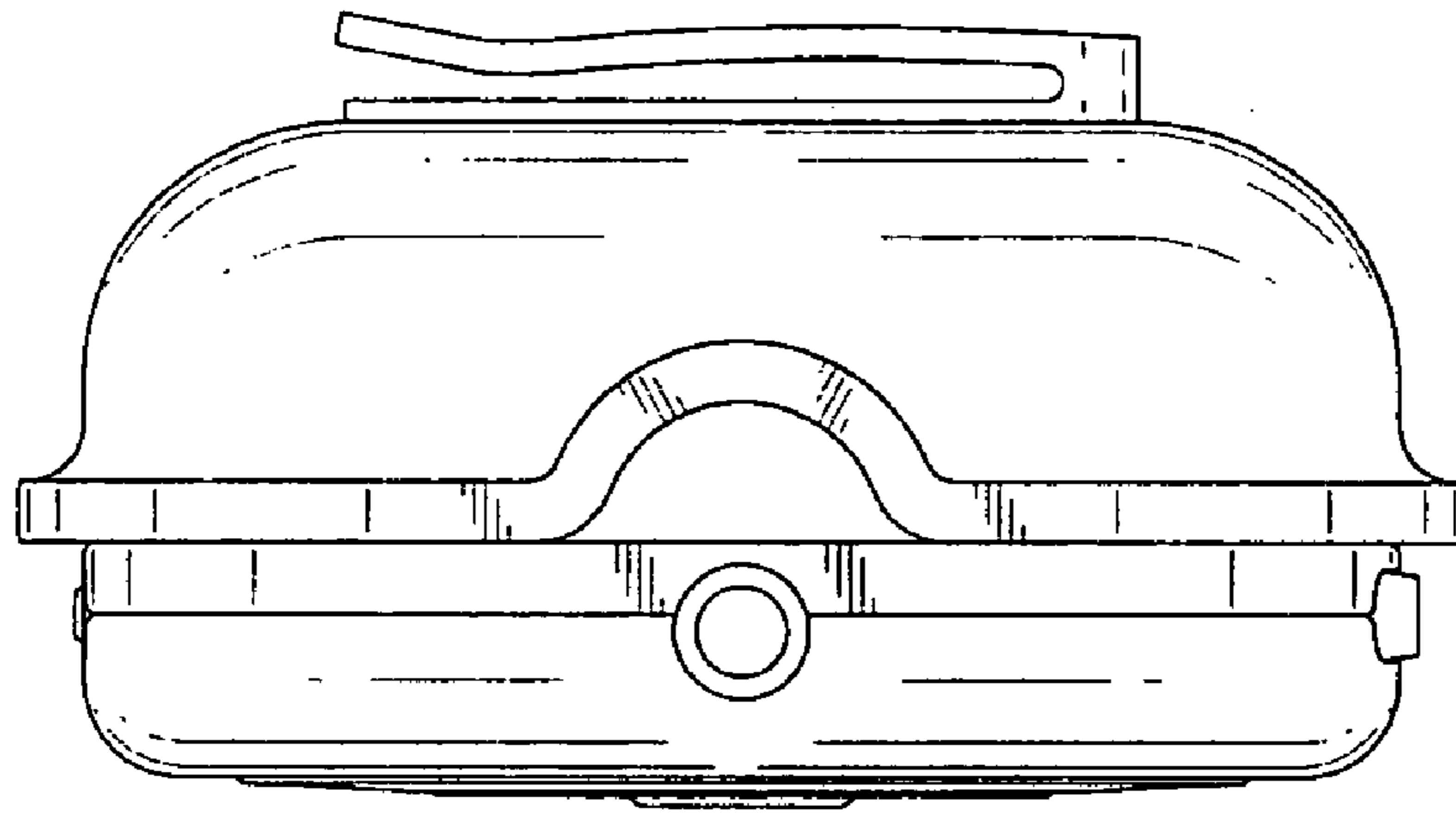


FIG.7

