



US00D577710S

(12) **United States Design Patent**  
**Joseph**

(10) **Patent No.:** **US D577,710 S**  
(45) **Date of Patent:** **\*\* Sep. 30, 2008**

(54) **MULTIMEDIA SPEAKER SYSTEM FOR DIGITAL MEDIA PLAYER**

(75) Inventor: **Brian Joseph**, Brooklyn, NY (US)

(73) Assignee: **SDI Technologies, Inc.**, Rahway, NJ (US)

(\*\*) Term: **14 Years**

(21) Appl. No.: **29/284,947**

(22) Filed: **Sep. 18, 2007**

(51) **LOC (8) Cl.** ..... **14-01**

(52) **U.S. Cl.** ..... **D14/204; D14/496**

(58) **Field of Classification Search** ..... D14/204,  
D14/209-217, 496, 168; 181/143-144, 147-148,  
181/150, 157, 198-199, 151, 153; 381/300-302,  
381/306, 333, 345, 361-364, 386-388, 332,  
381/336

See application file for complete search history.

(56) **References Cited**

**U.S. PATENT DOCUMENTS**

- D513,612 S \* 1/2006 Harris et al. .... D14/168
- D532,773 S \* 11/2006 Langberg et al. .... D14/214
- D551,654 S \* 9/2007 Fong ..... D14/214
- D555,632 S \* 11/2007 Iikura ..... D14/156

\* cited by examiner

*Primary Examiner*—Nanda Bondade

(74) *Attorney, Agent, or Firm*—Ostrolenk, Faber, Gerb & Soffen, LLP

(57) **CLAIM**

The ornamental design for multimedia speaker system for digital media player, as shown and described.

**DESCRIPTION**

FIG. 1 is a front, right side, top, perspective view of a first embodiment of a speaker system for a digital media player showing my new design;

FIG. 2 is a right side view thereof;

FIG. 3 is a left side view thereof;

FIG. 4 is a front view thereof;

FIG. 5 is a rear view thereof;

FIG. 6 is a top view thereof;

FIG. 7 is a bottom view thereof;

FIG. 8 is a front, right side, top perspective view of a second embodiment thereof;

FIG. 9 is a right side view thereof;

FIG. 10 is a left side view thereof;

FIG. 11 is a front view thereof;

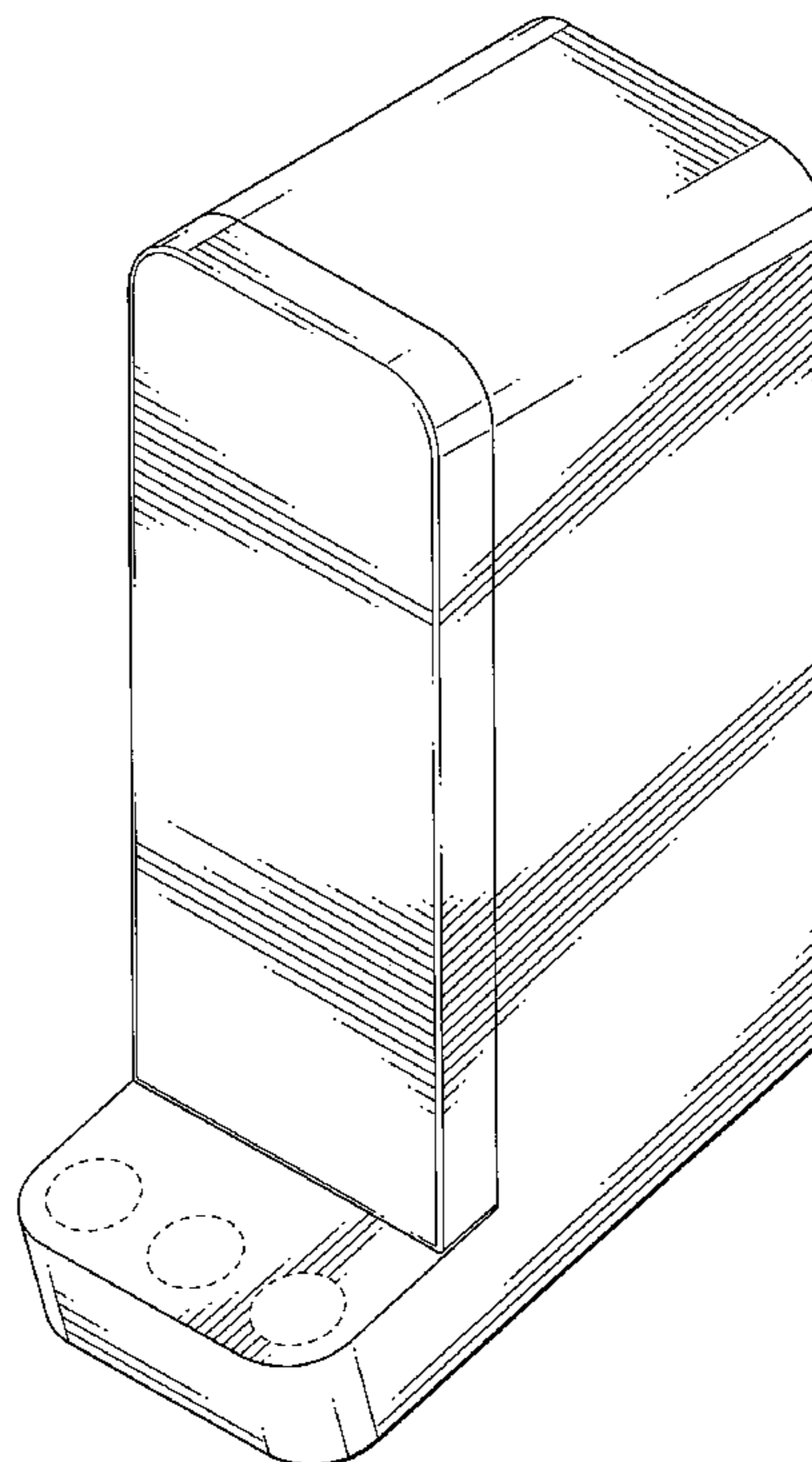
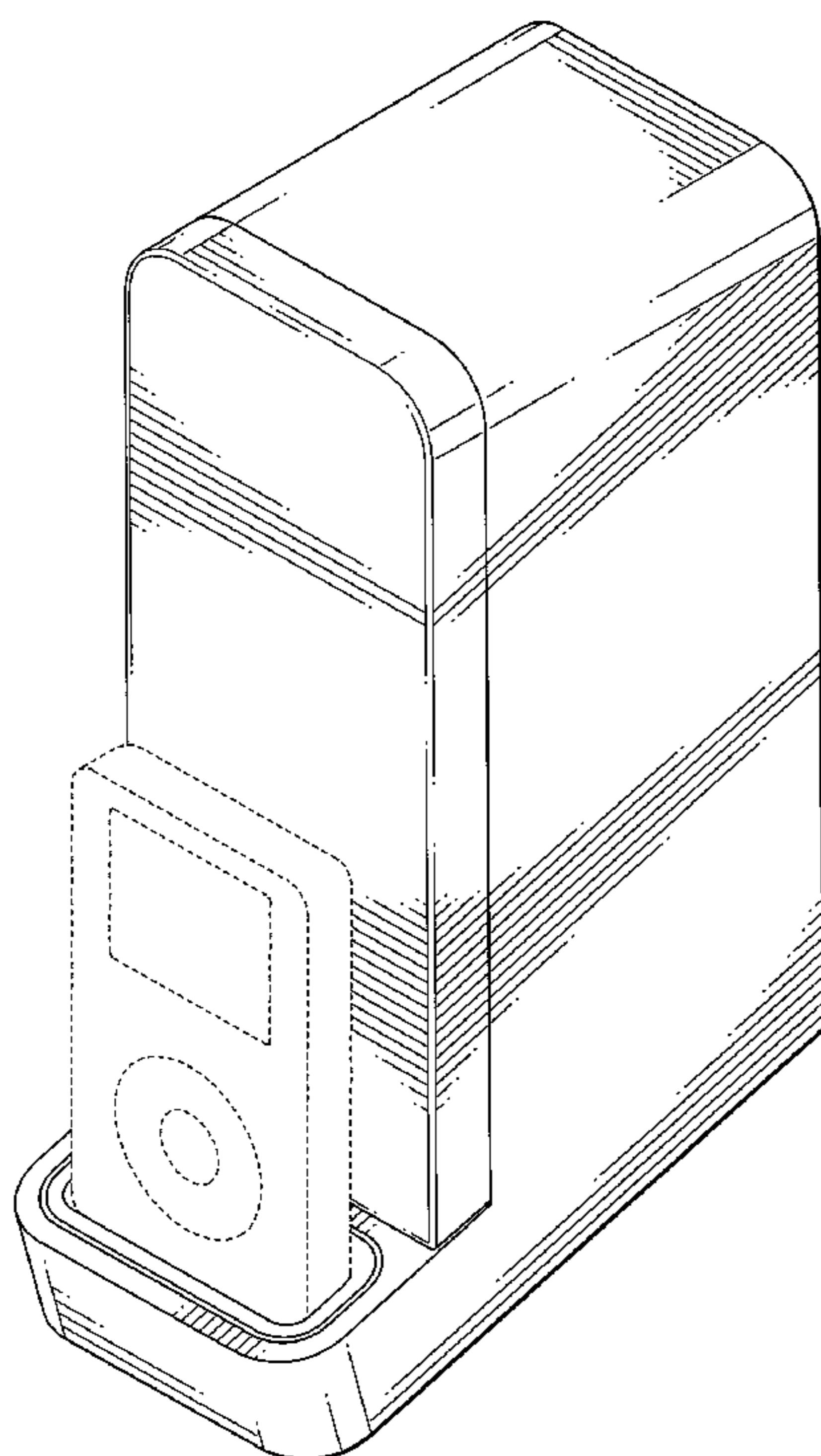
FIG. 12 is a rear view thereof;

FIG. 13 is a top view thereof; and,

FIG. 14 is a bottom view thereof.

The environmental material shown in broken lines forms no part of the design.

**1 Claim, 10 Drawing Sheets**



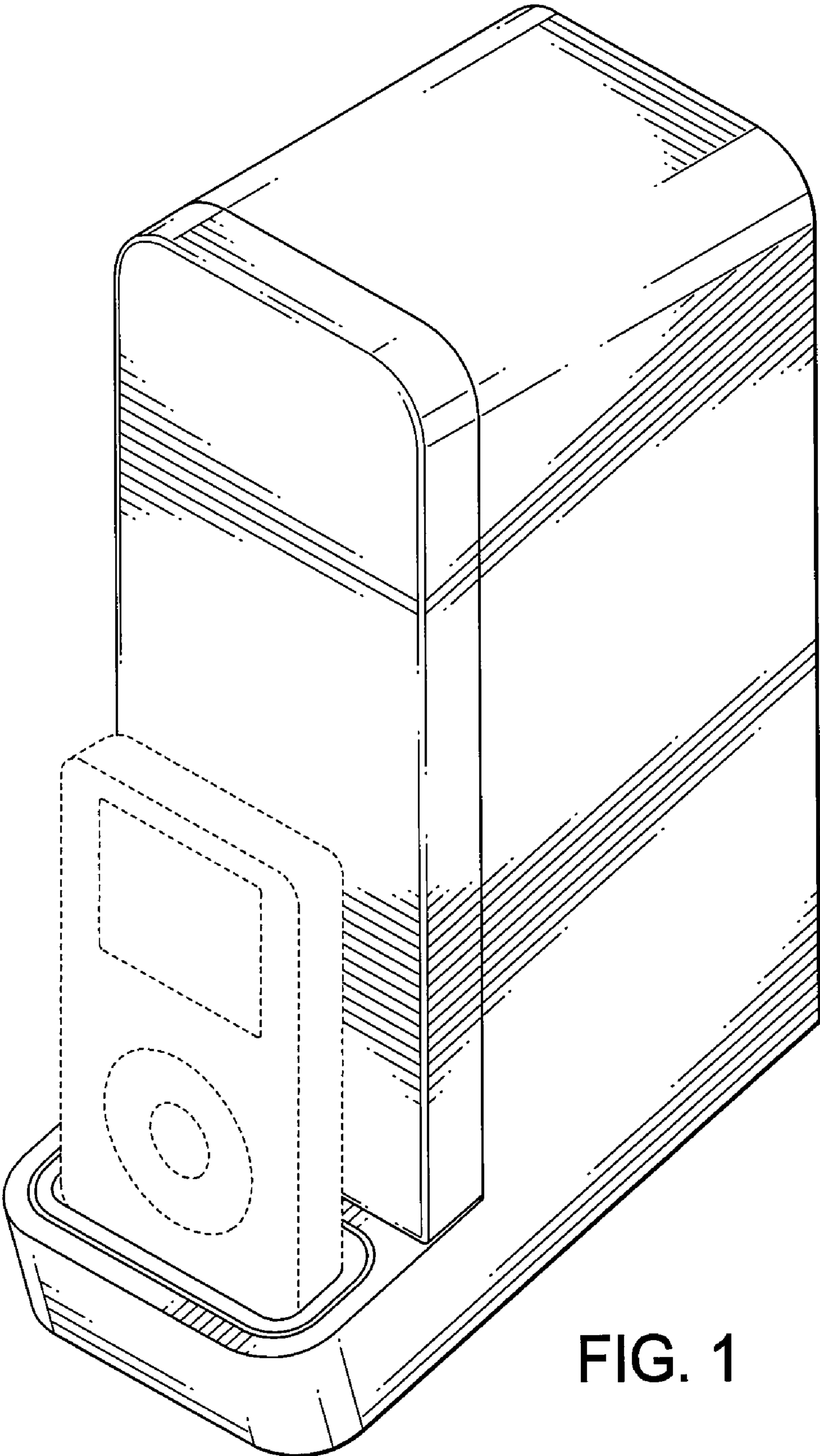


FIG. 1

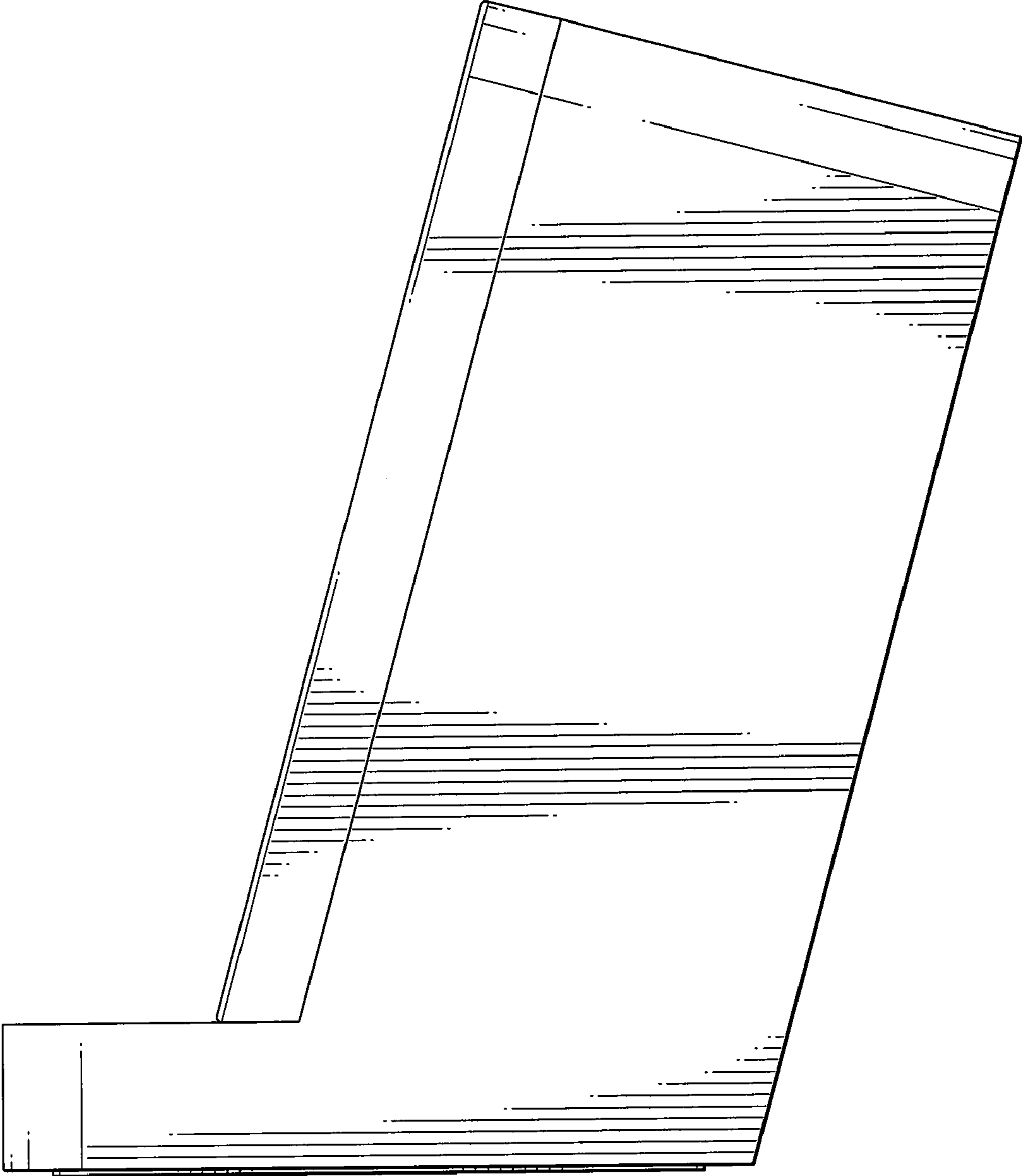


FIG. 2

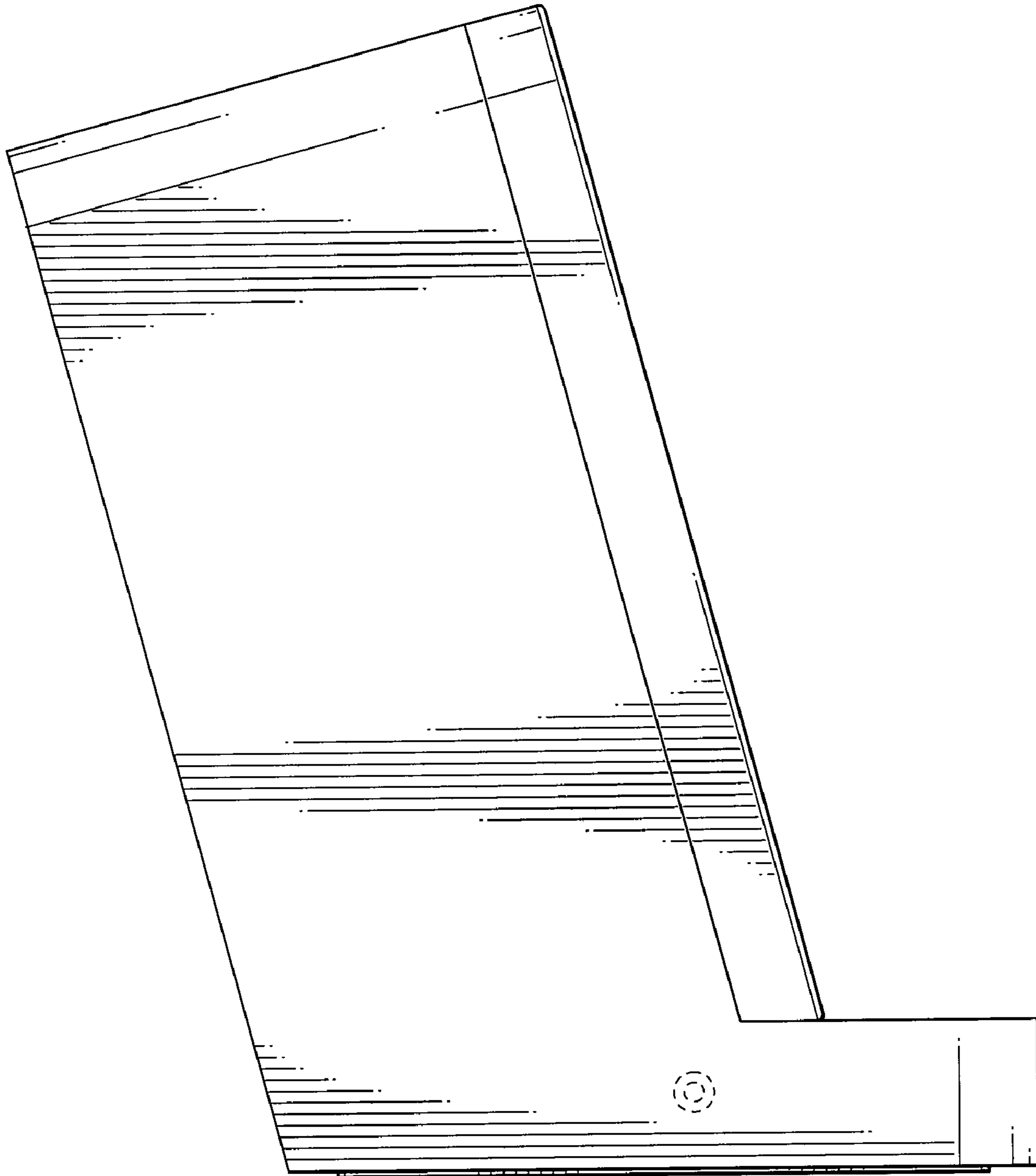


FIG. 3

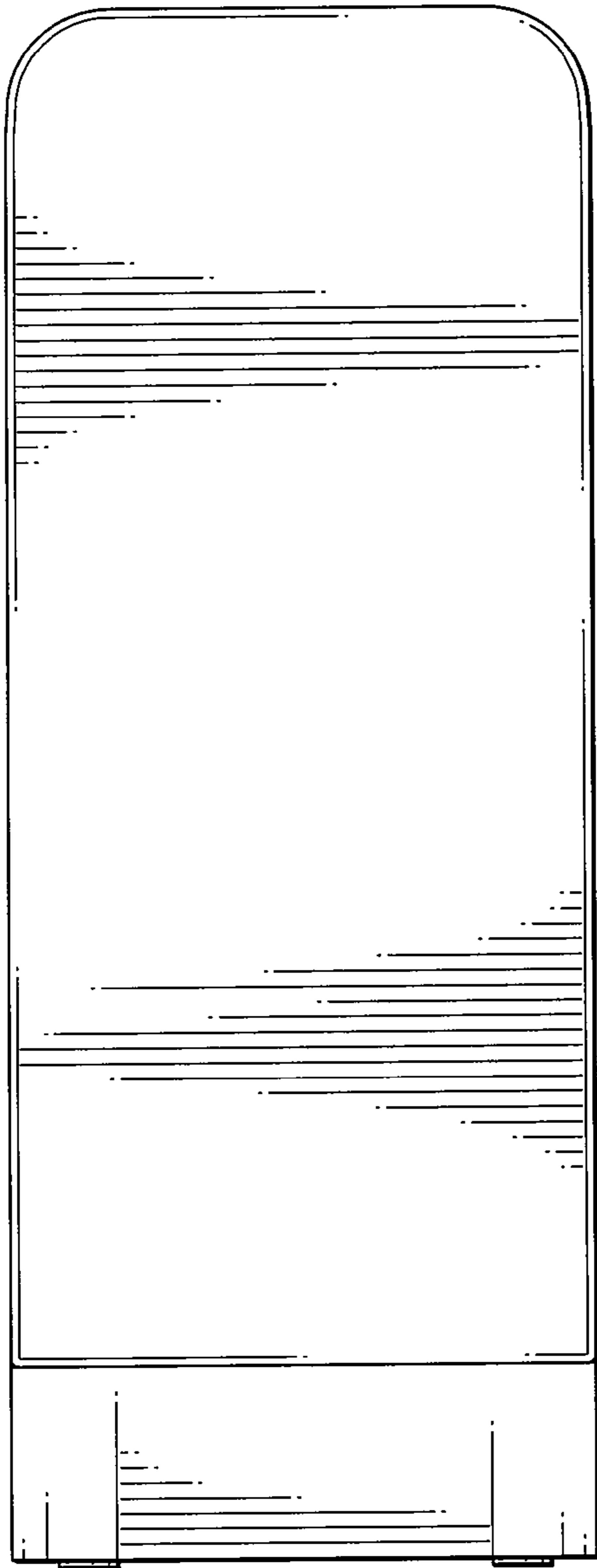


FIG. 4

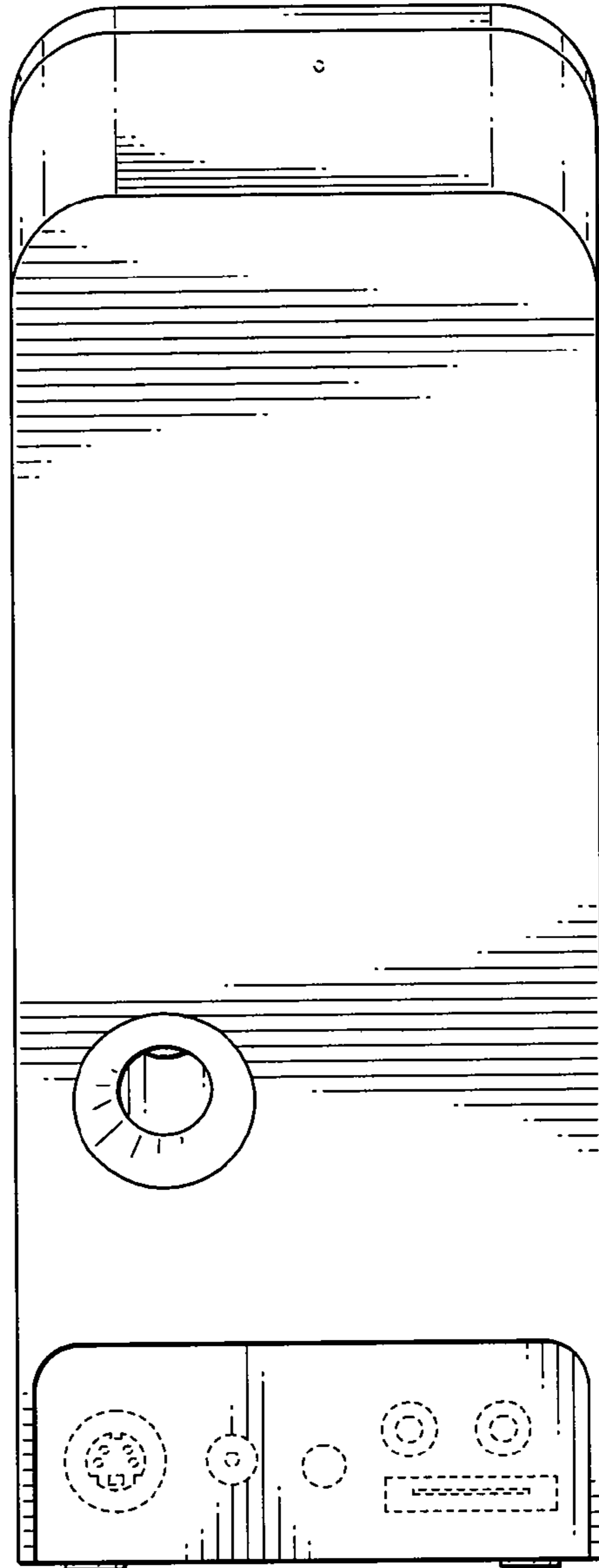


FIG. 5

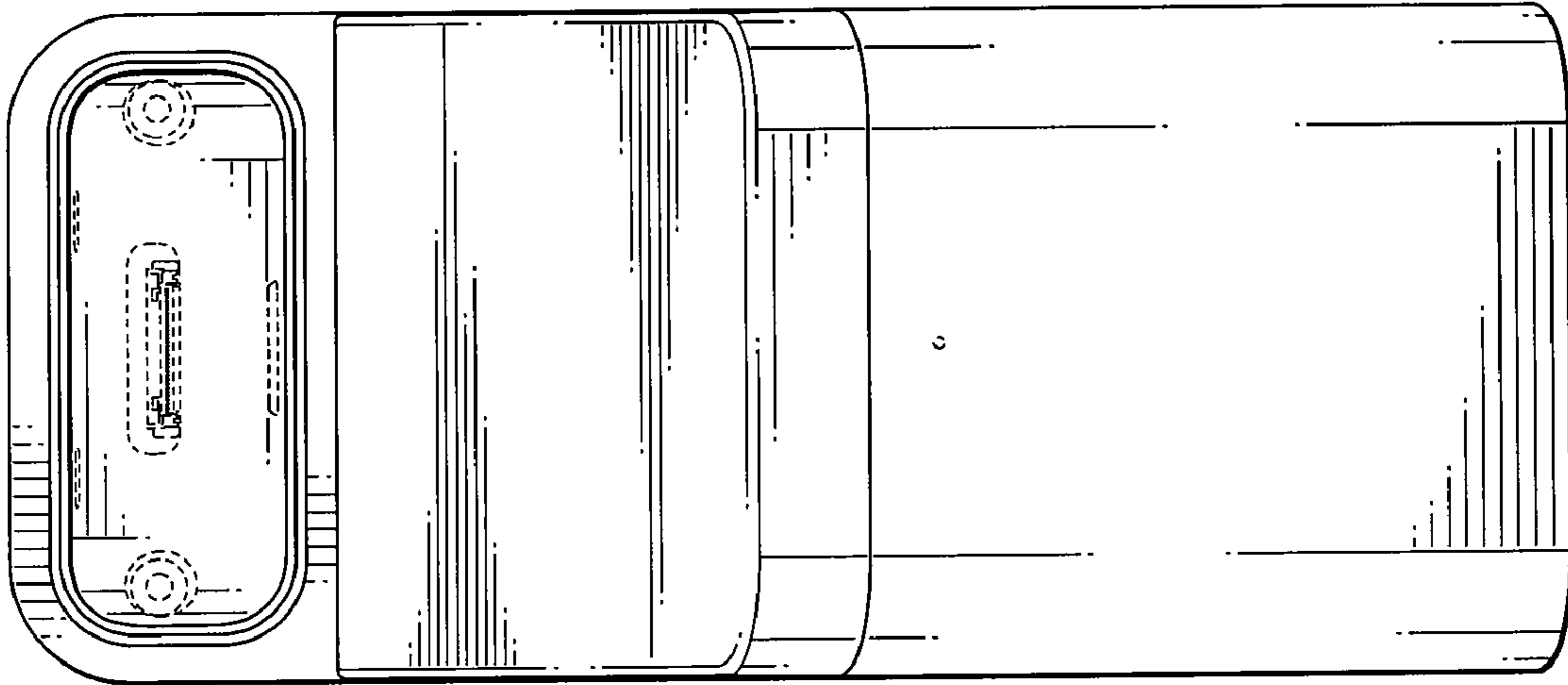


FIG. 6

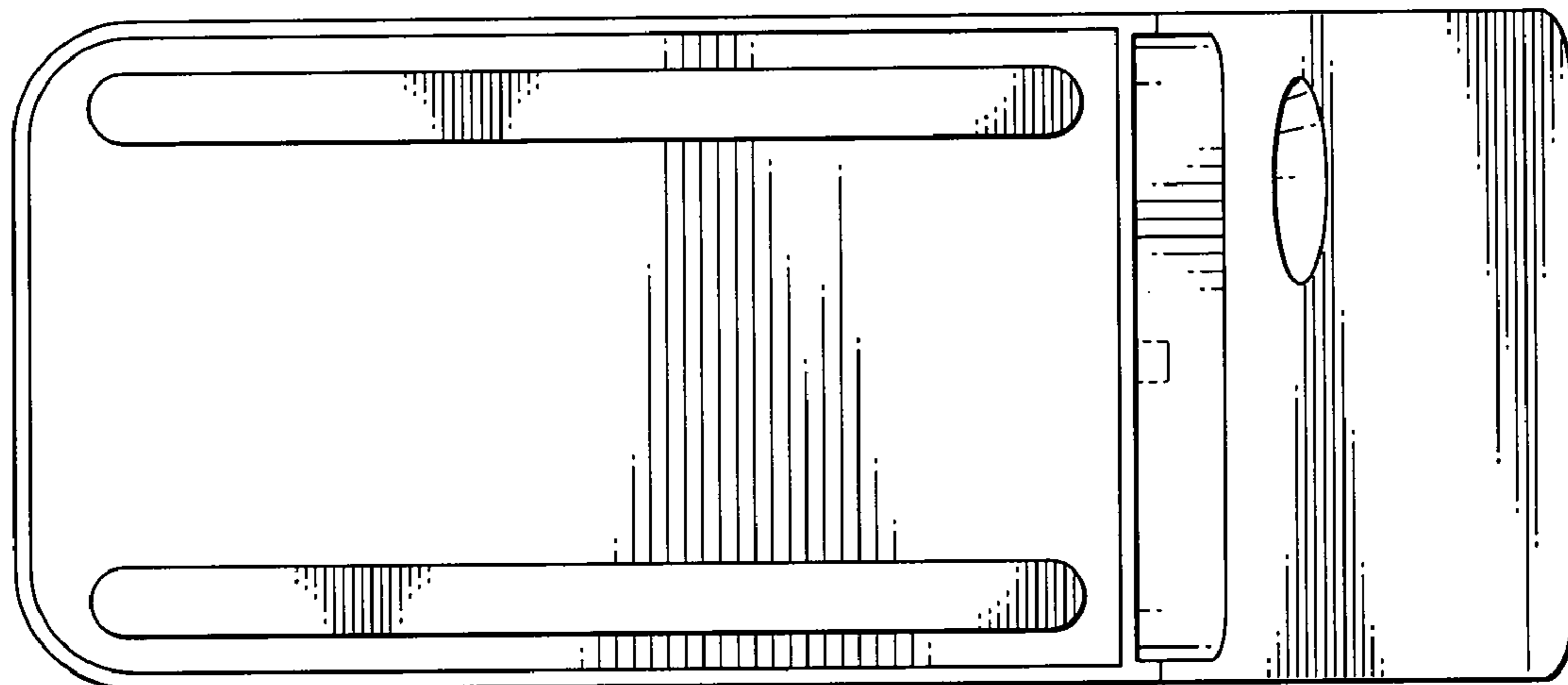


FIG. 7

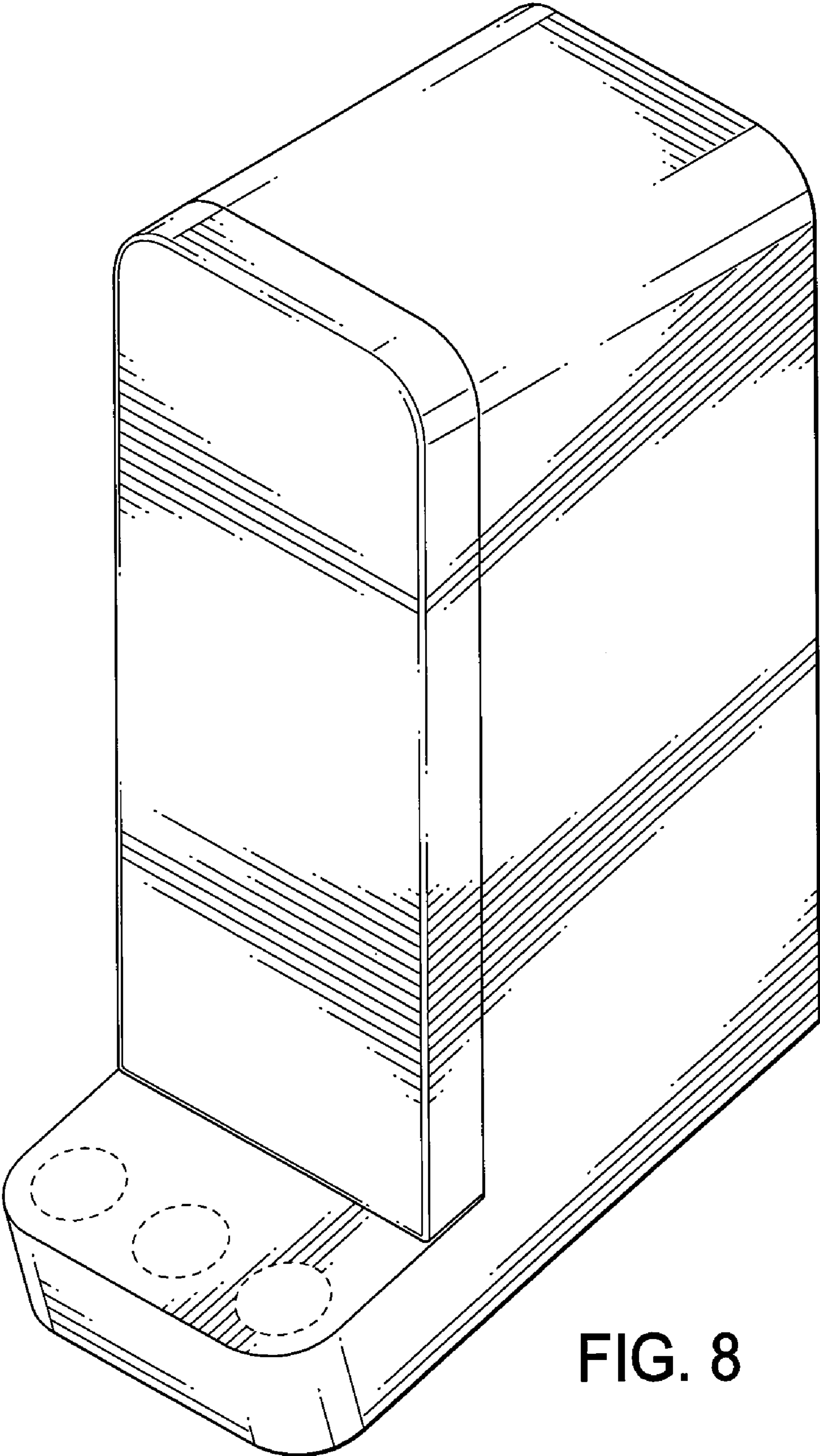


FIG. 8

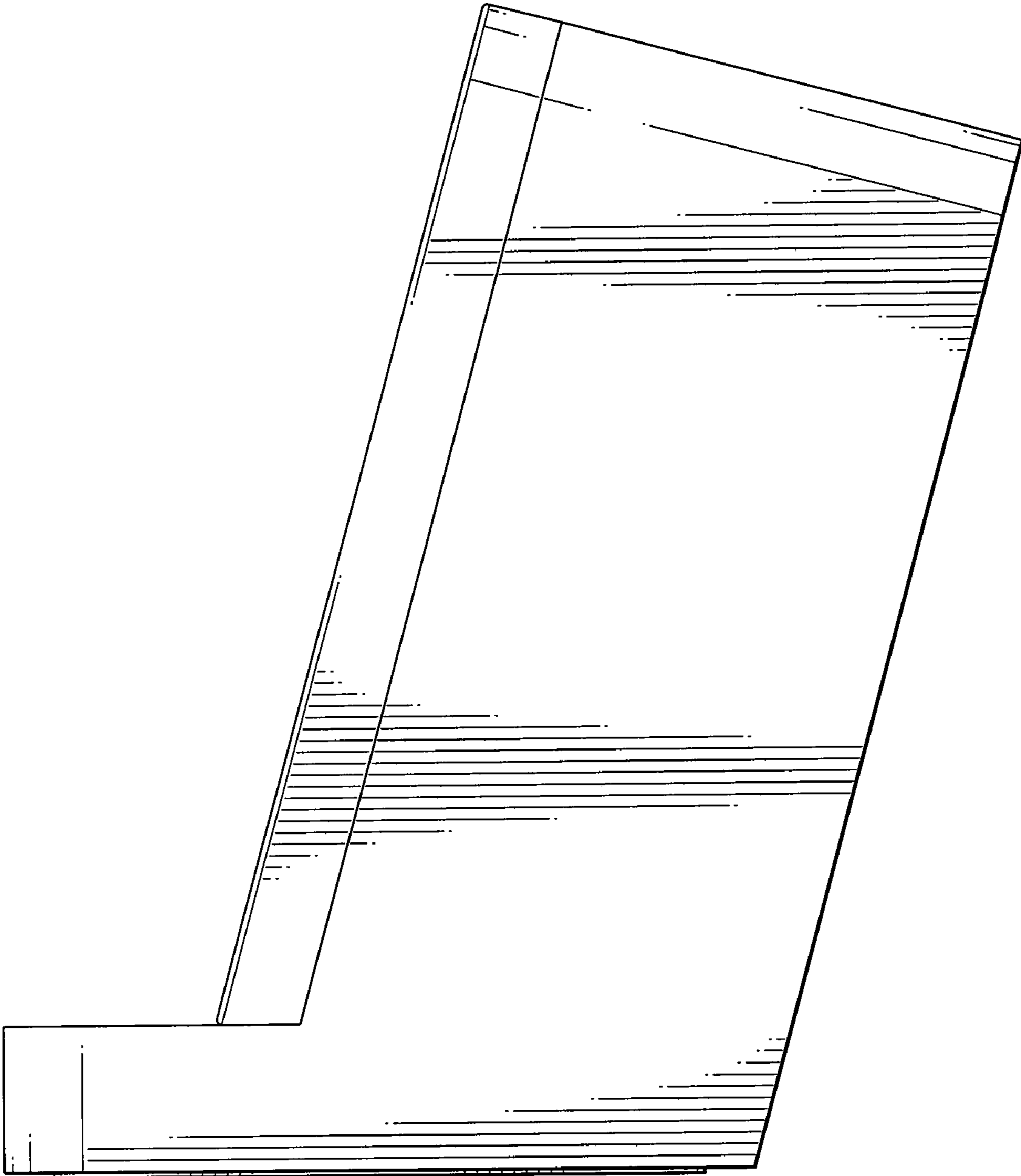


FIG. 9



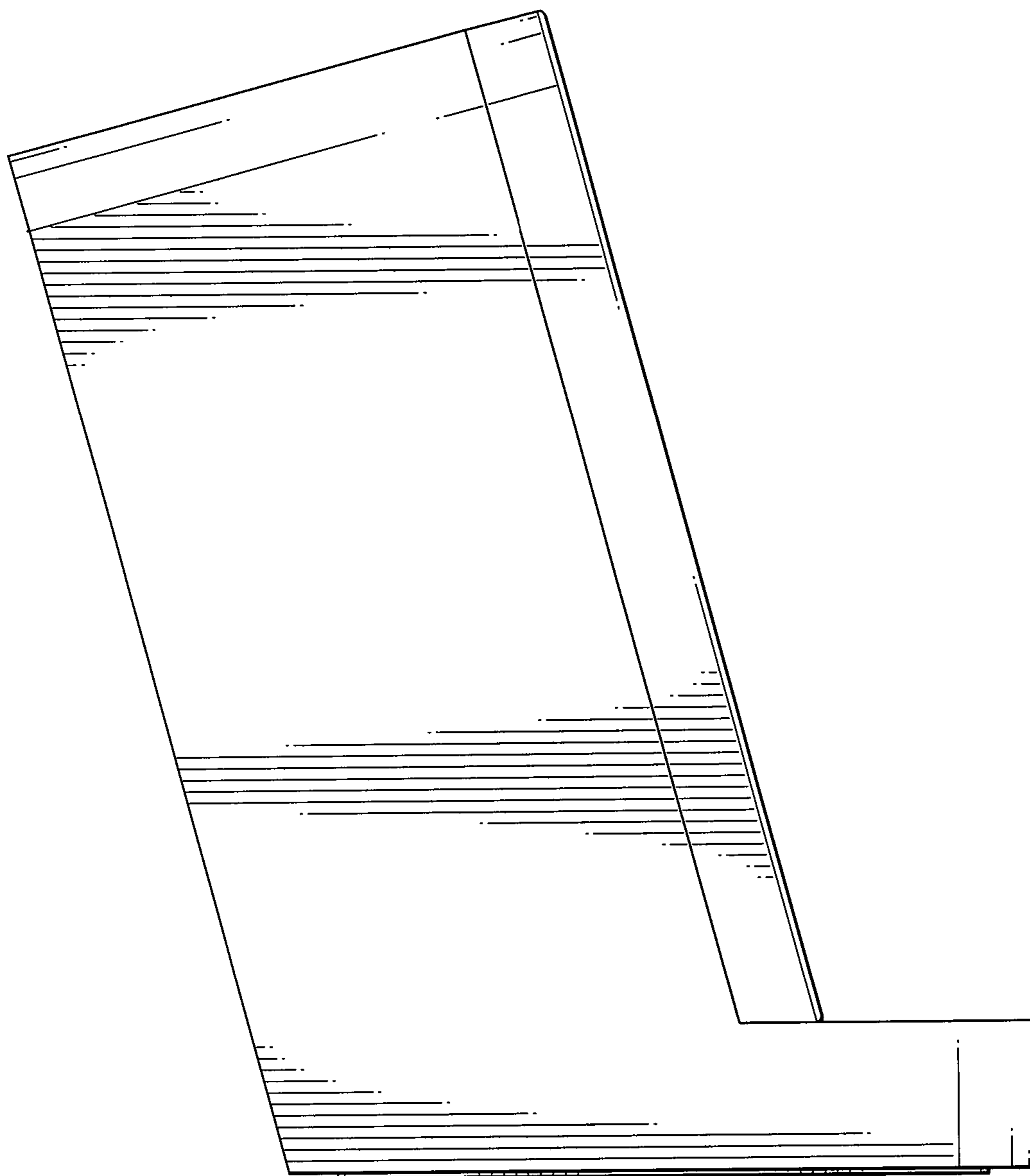


FIG. 10

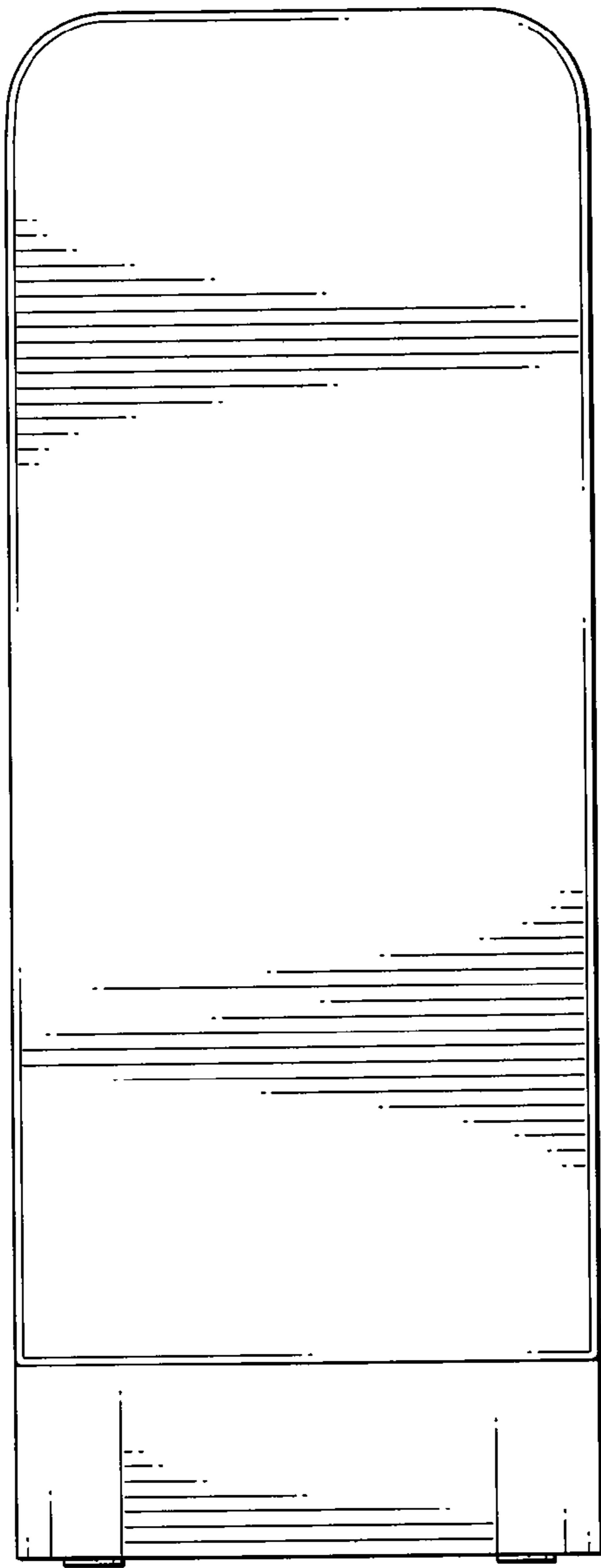


FIG. 11

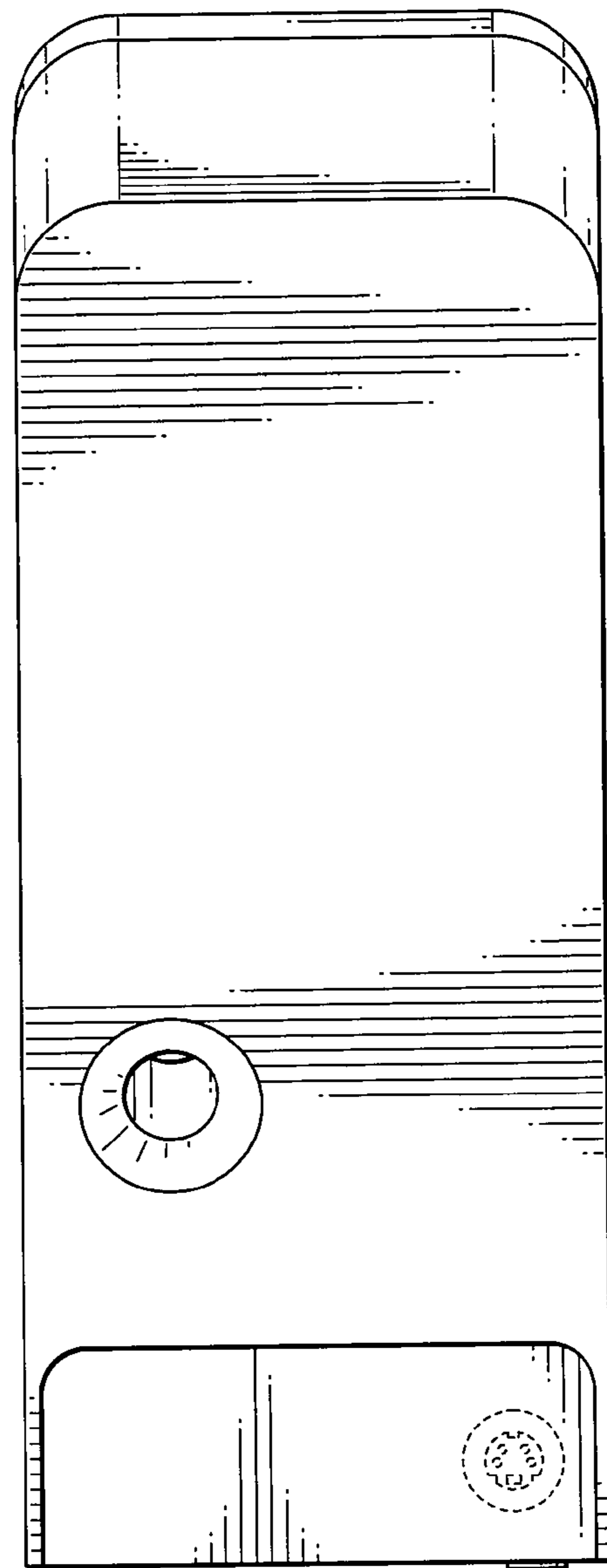


FIG. 12

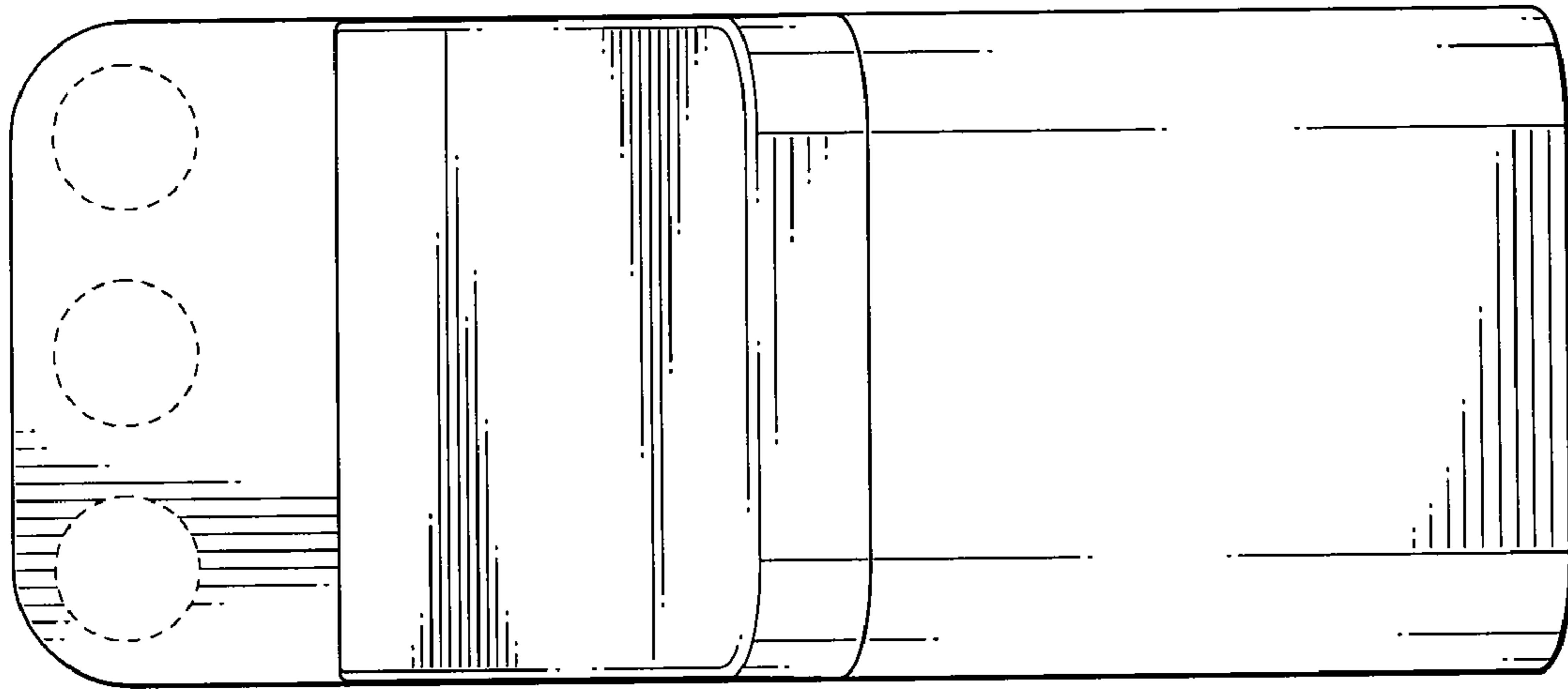


FIG. 13

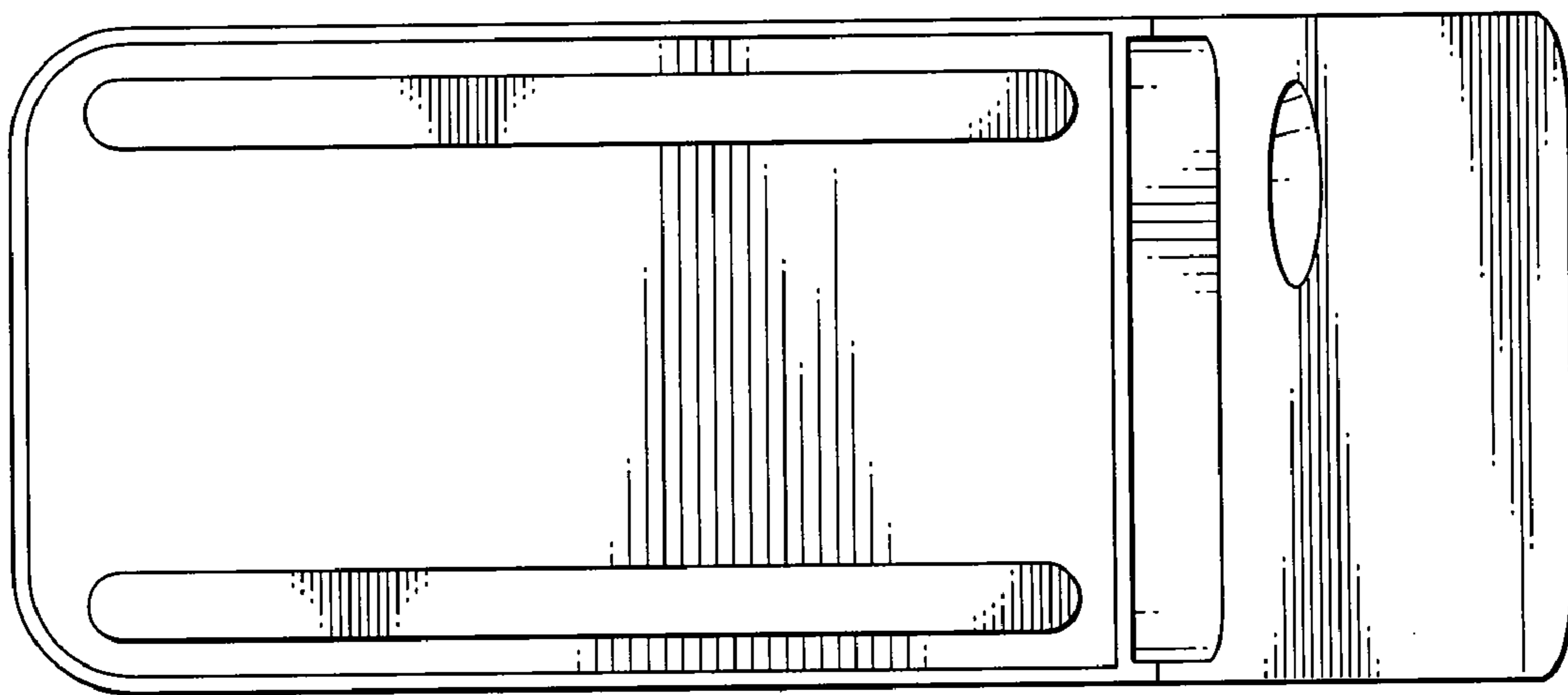


FIG. 14