



US00D577708S

(12) **United States Design Patent**
von Meiss et al.

(10) **Patent No.:** **US D577,708 S**

(45) **Date of Patent:** **** Sep. 30, 2008**

(54) **WIRELESS MICROPHONE TRANSMITTER**

D564,921 S * 3/2008 Cheng D10/65

(75) Inventors: **Basil von Meiss**, Zurich (CH); **Christian Harbeke**, Zurich (CH)

* cited by examiner

Primary Examiner—Cathron Brooks

Assistant Examiner—Austin Murphy

(73) Assignee: **Phonak AG**, Stäfa (CH)

(74) *Attorney, Agent, or Firm*—Rankin, Hill & Clark LLP

(**) Term: **14 Years**

(57) **CLAIM**

(21) Appl. No.: **29/302,741**

The ornamental design for a wireless microphone transmitter, as shown and described.

(22) Filed: **Jan. 23, 2008**

DESCRIPTION

(51) **LOC (8) Cl.** **14-99**

(52) **U.S. Cl.** **D14/158**

(58) **Field of Classification Search** D14/167,
D14/154, 168, 188, 496, 156, 160, 161, 162,
D14/163, 164, 165, 158, 341, 346, 342, 345,
D14/155, 218, 225; D16/208; D26/38; 455/351,
455/350; D10/104, 106, 65

FIG. 1 is a perspective view of a first embodiment of a wireless microphone transmitter embodying our design;

FIG. 2 is a top plan view thereof;

FIG. 3 is a bottom plan view thereof;

FIG. 4 is a right side elevational view thereof;

FIG. 5 is a left side elevational view thereof;

FIG. 6 is a front elevational view thereof;

FIG. 7 is a rear elevational view thereof;

FIG. 8 is a perspective view of a second embodiment of a wireless microphone transmitter embodying our design;

FIG. 9 is a top plan view thereof;

FIG. 10 is a bottom plan view thereof;

FIG. 11 is a right side elevational view thereof;

FIG. 12 is a left side elevational view thereof;

FIG. 13 is a front elevational view thereof; and,

FIG. 14 is a rear elevational view thereof.

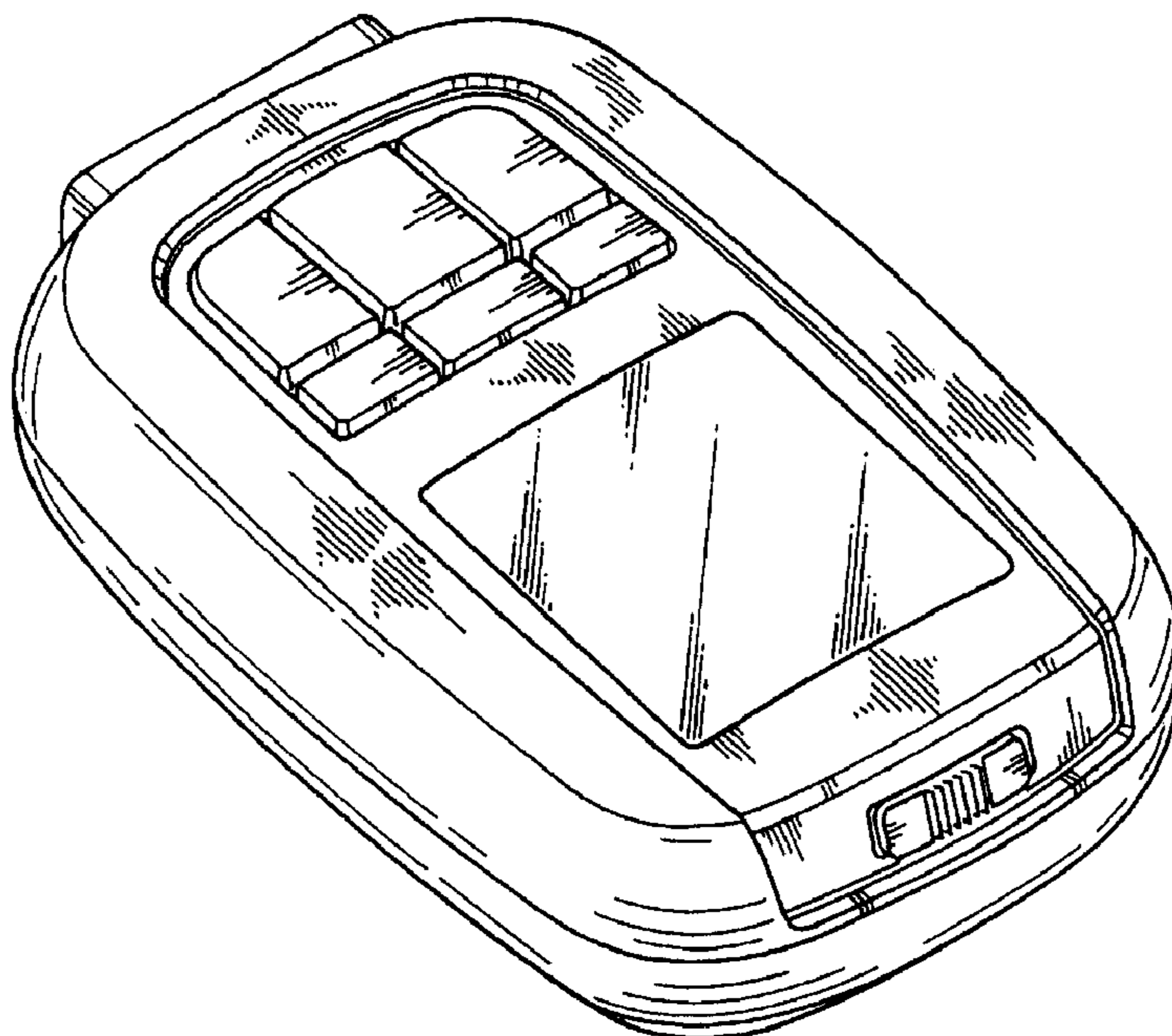
See application file for complete search history.

(56) **References Cited**

U.S. PATENT DOCUMENTS

D293,088 S	*	12/1987	Brown et al.	D10/106
D359,520 S	*	6/1995	Hsu	D21/516
D369,164 S	*	4/1996	Hsu	D14/156
D405,424 S	*	2/1999	Winkler et al.	D13/168
D427,099 S	*	6/2000	Hunter	D10/104
D448,757 S	*	10/2001	Okubo	D14/218
D479,527 S	*	9/2003	Eigenstetter et al.	D14/346
D496,030 S	*	9/2004	Harbeke	D14/225
D540,774 S	*	4/2007	Alwicker et al.	D14/155
D550,664 S	*	9/2007	Leung	D14/346
D553,038 S	*	10/2007	Robinson et al.	D10/104
D555,648 S	*	11/2007	Griffin	D14/346

1 Claim, 6 Drawing Sheets



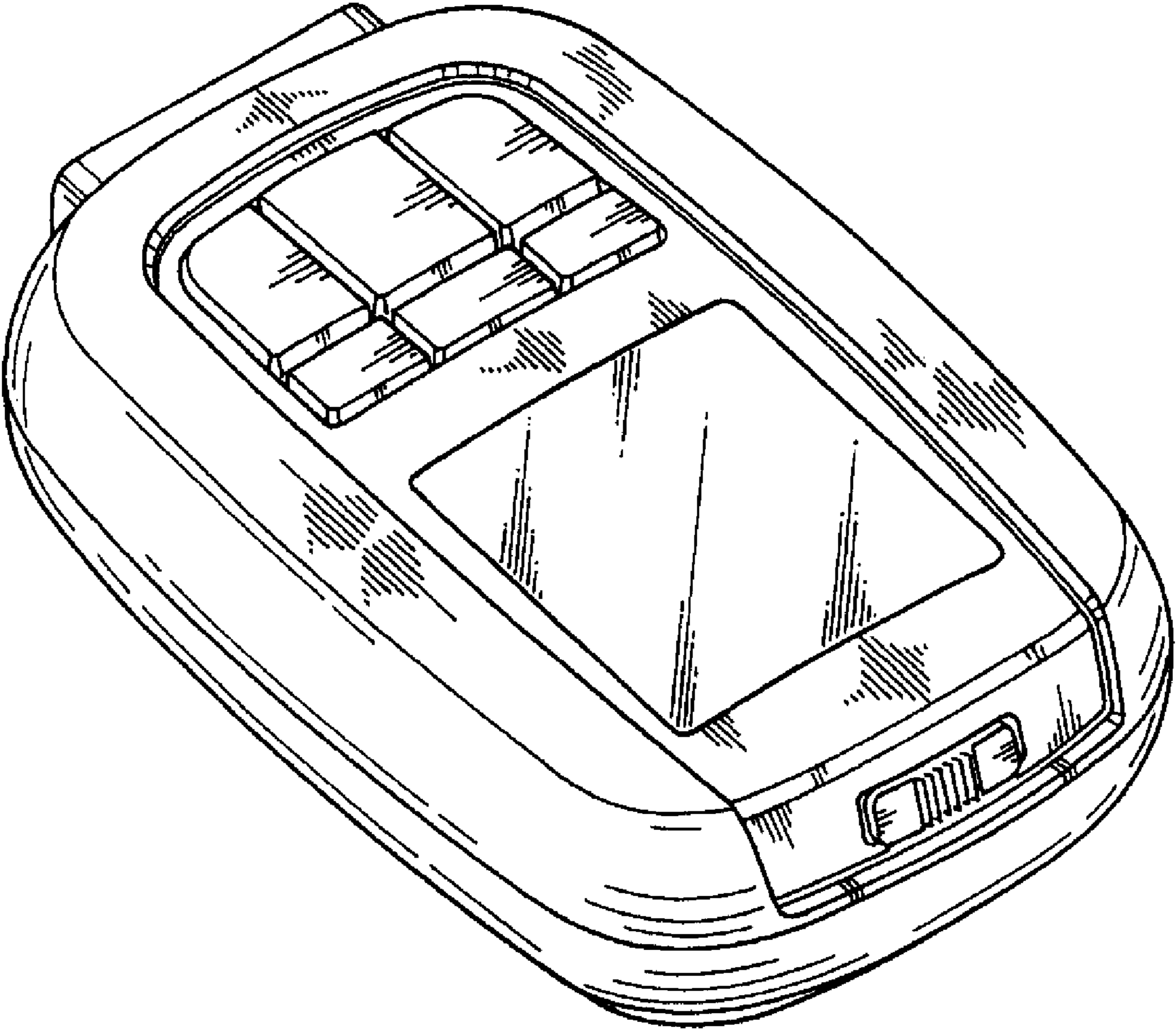


FIG. 1

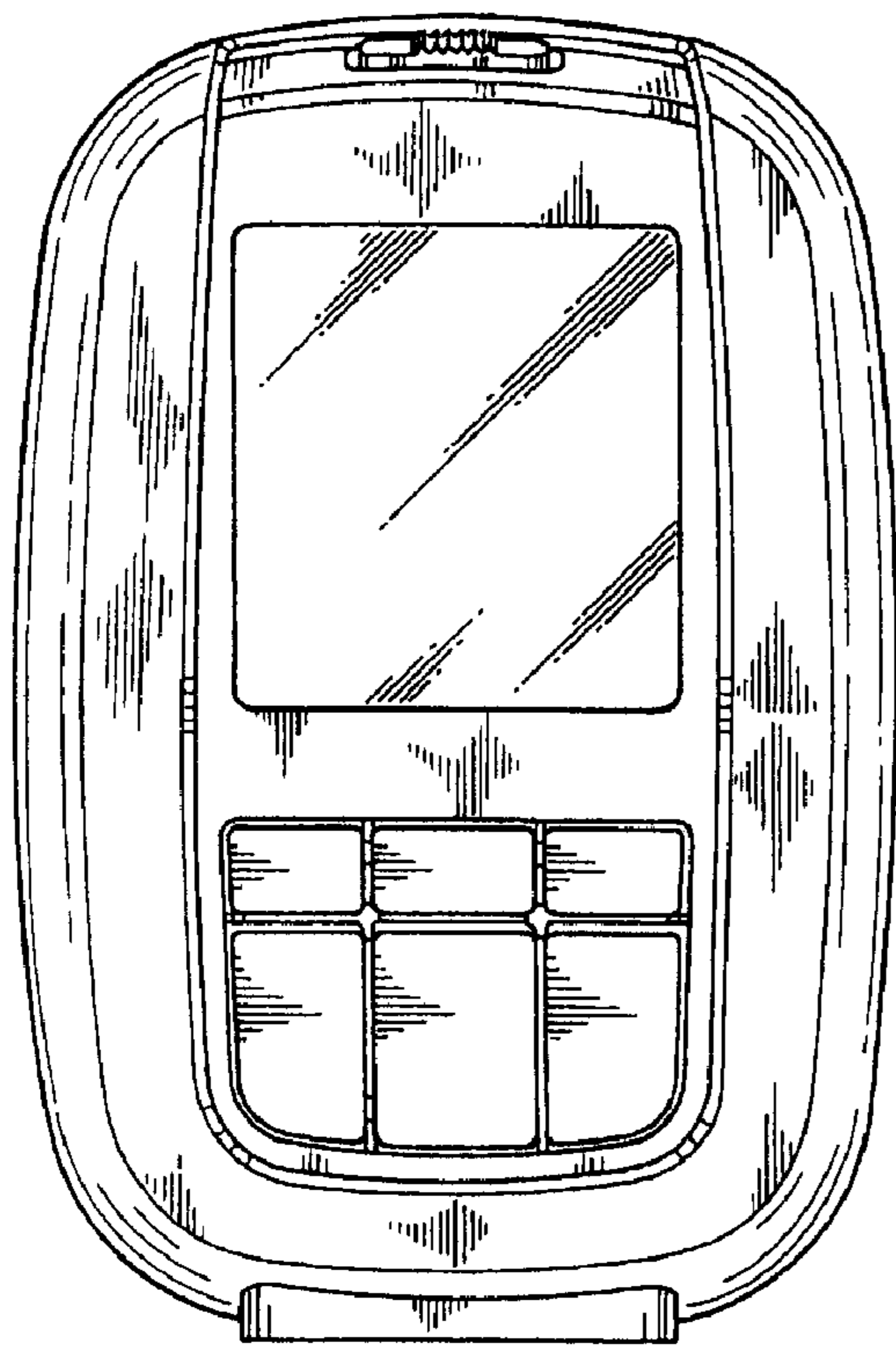


FIG. 2

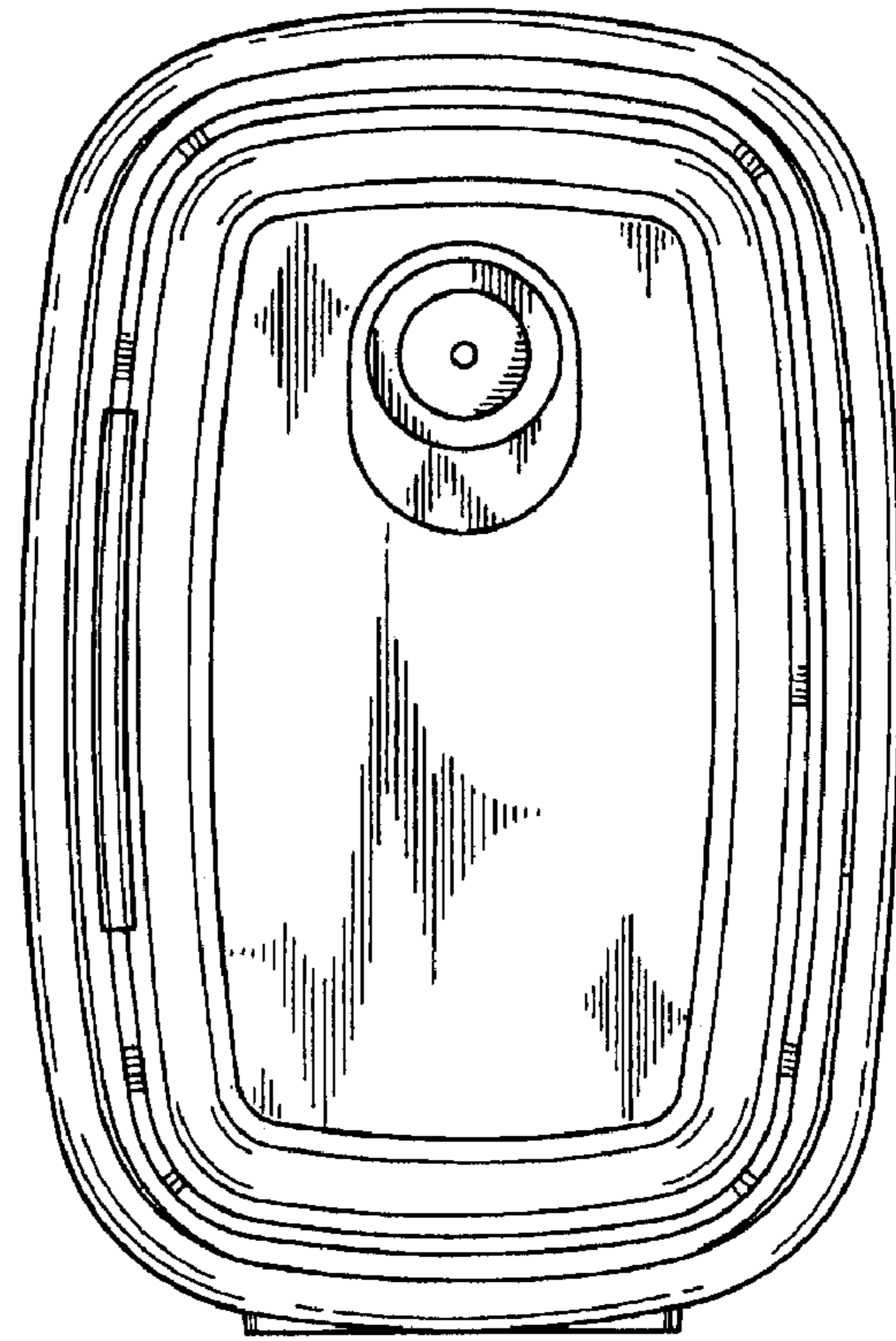


FIG. 3

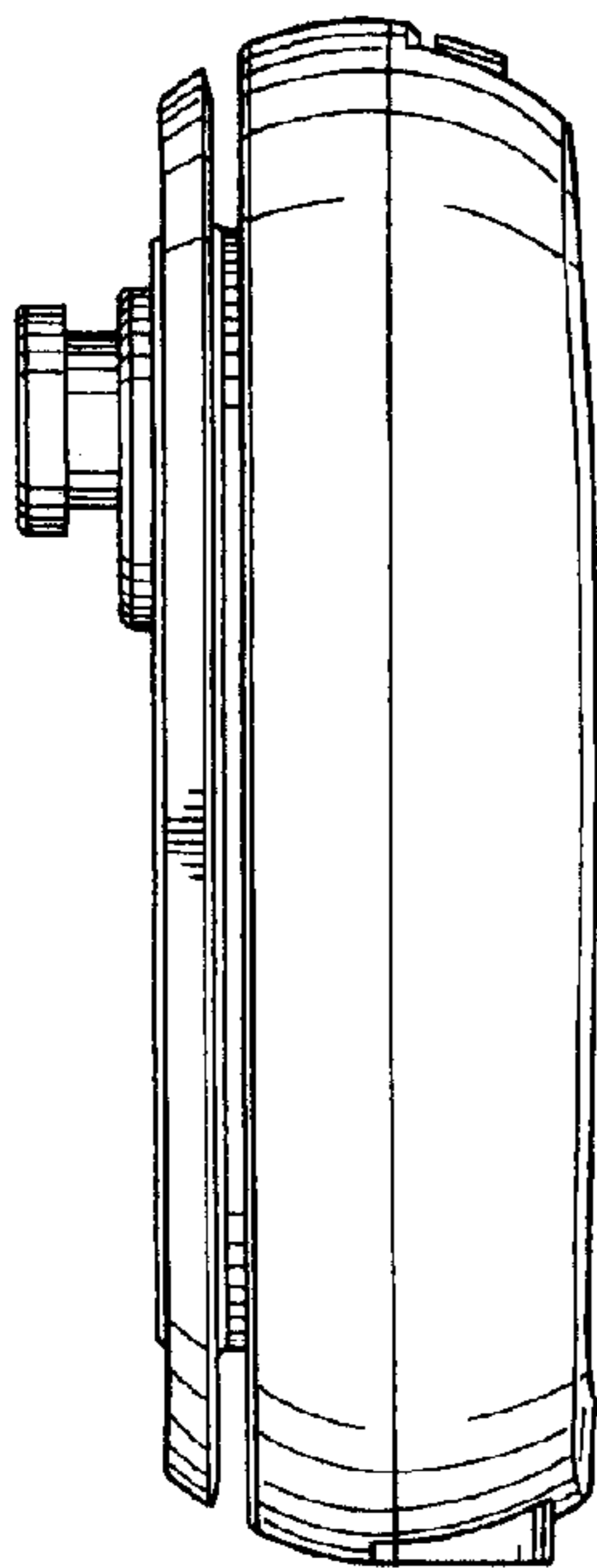


FIG. 4

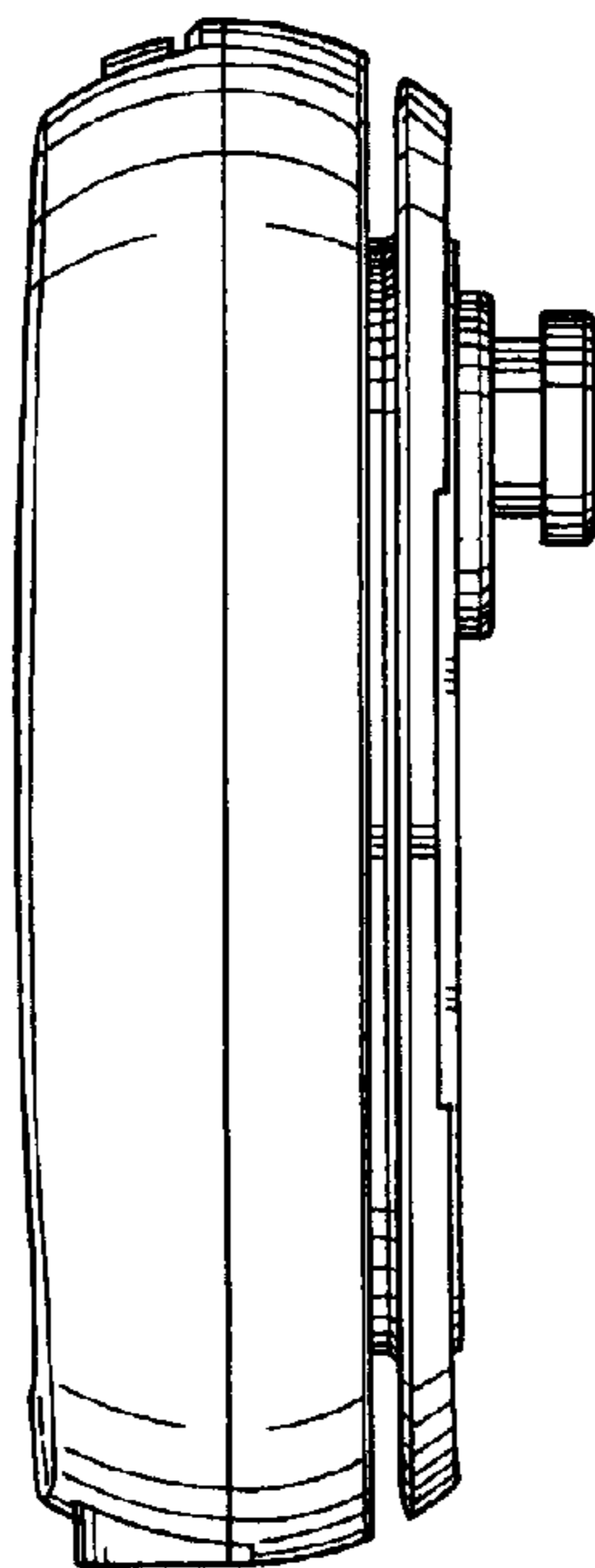


FIG. 5

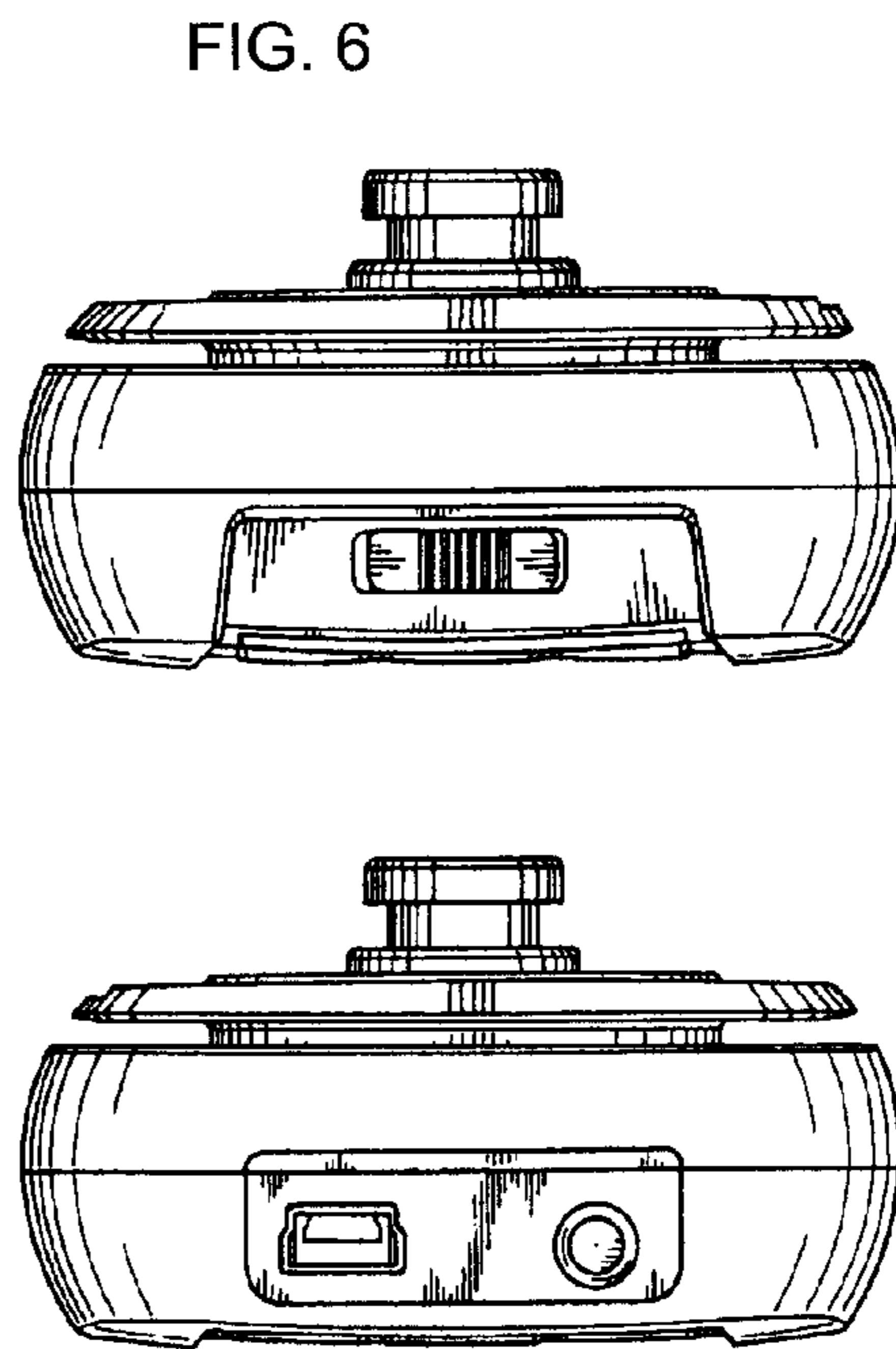


FIG. 6

FIG. 7

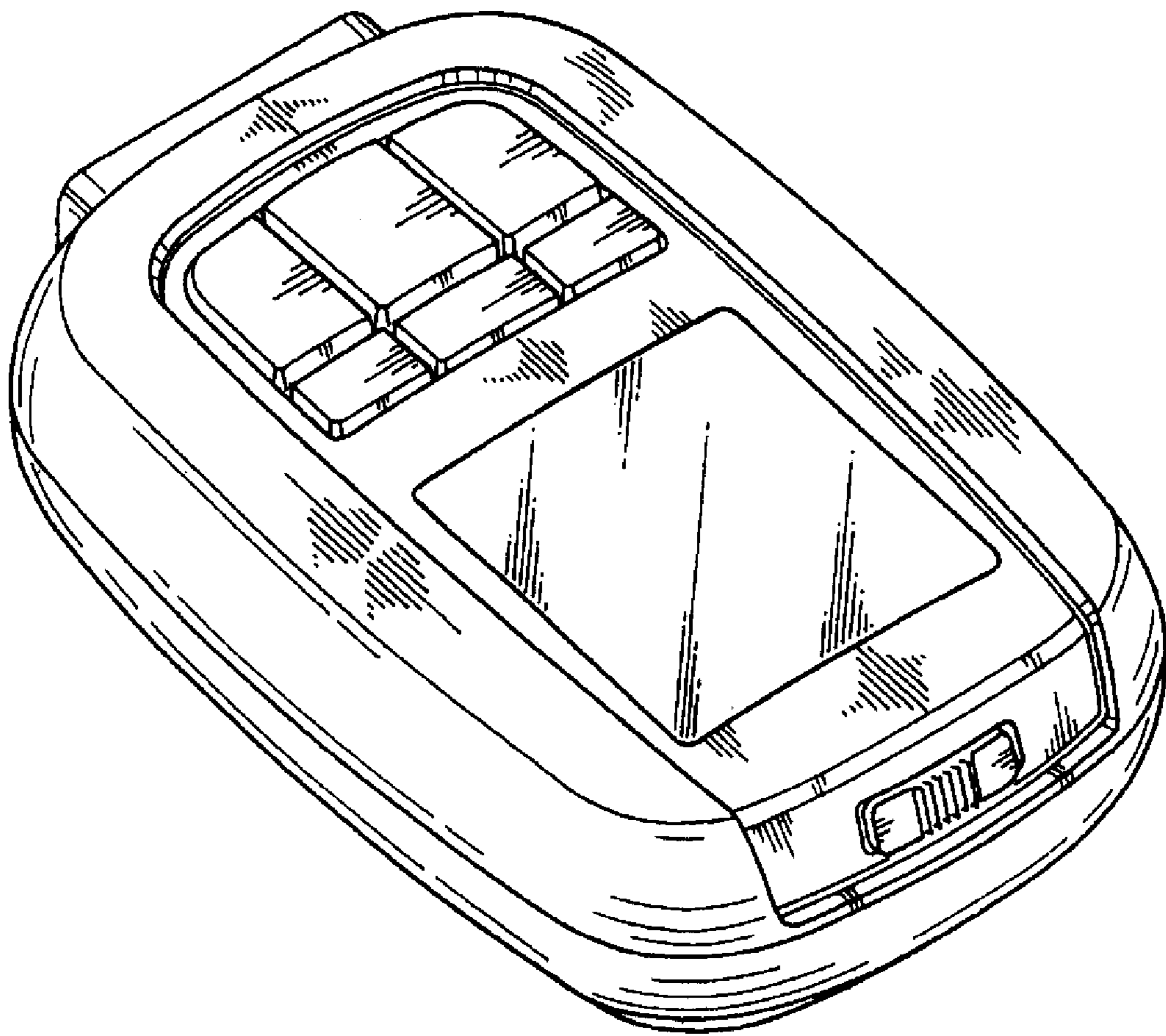


FIG. 8

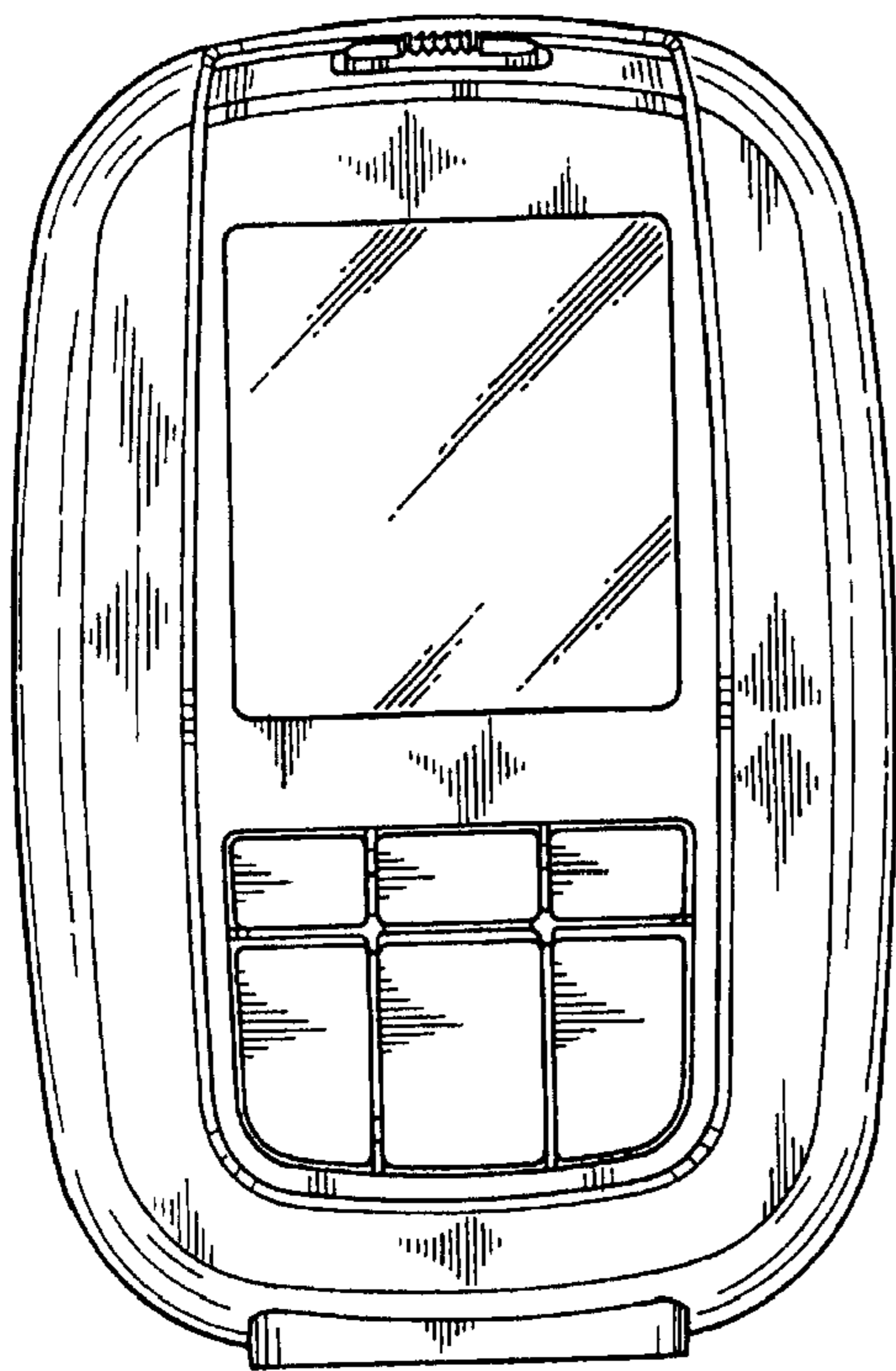


FIG. 9

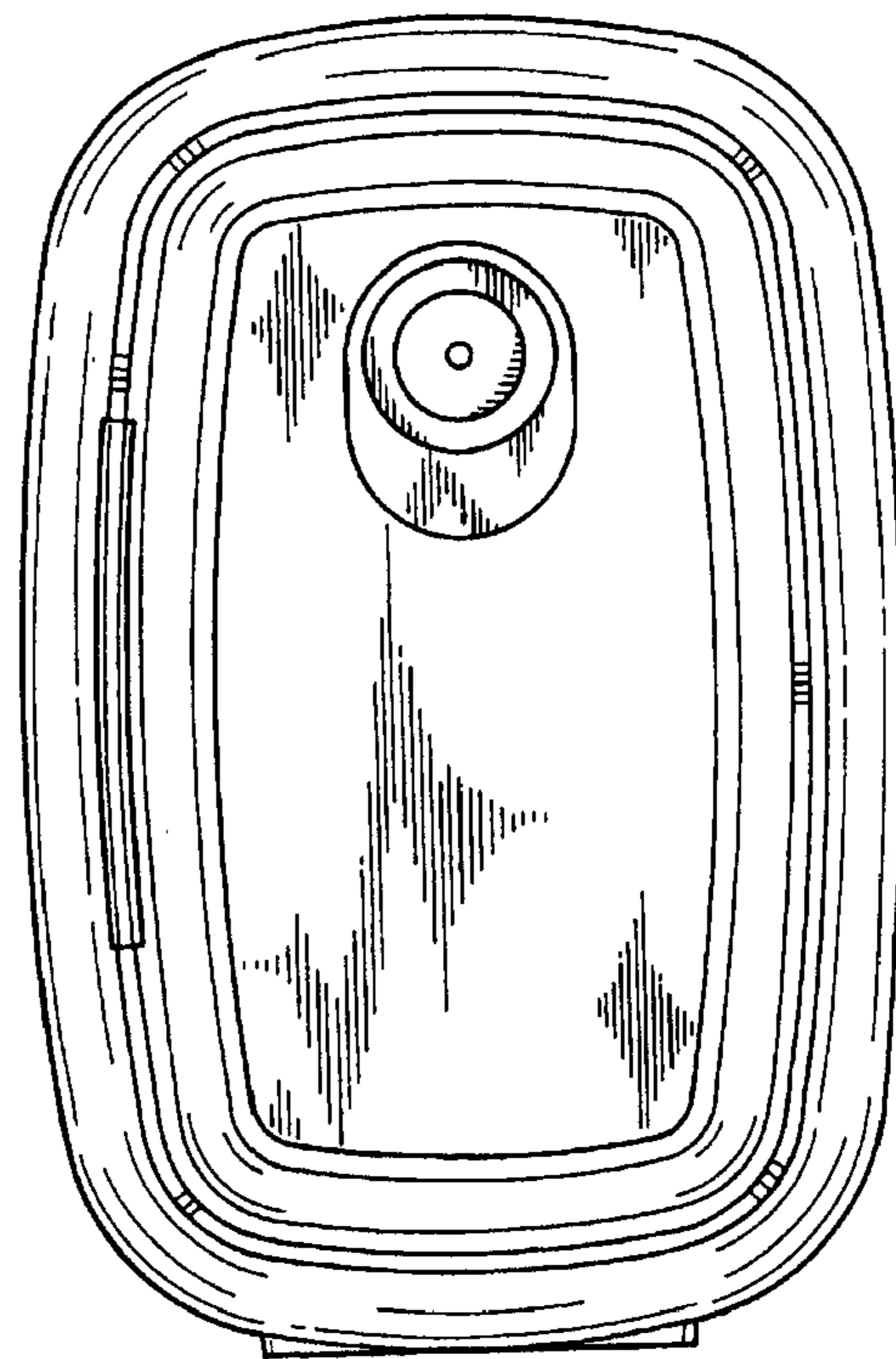


FIG. 10

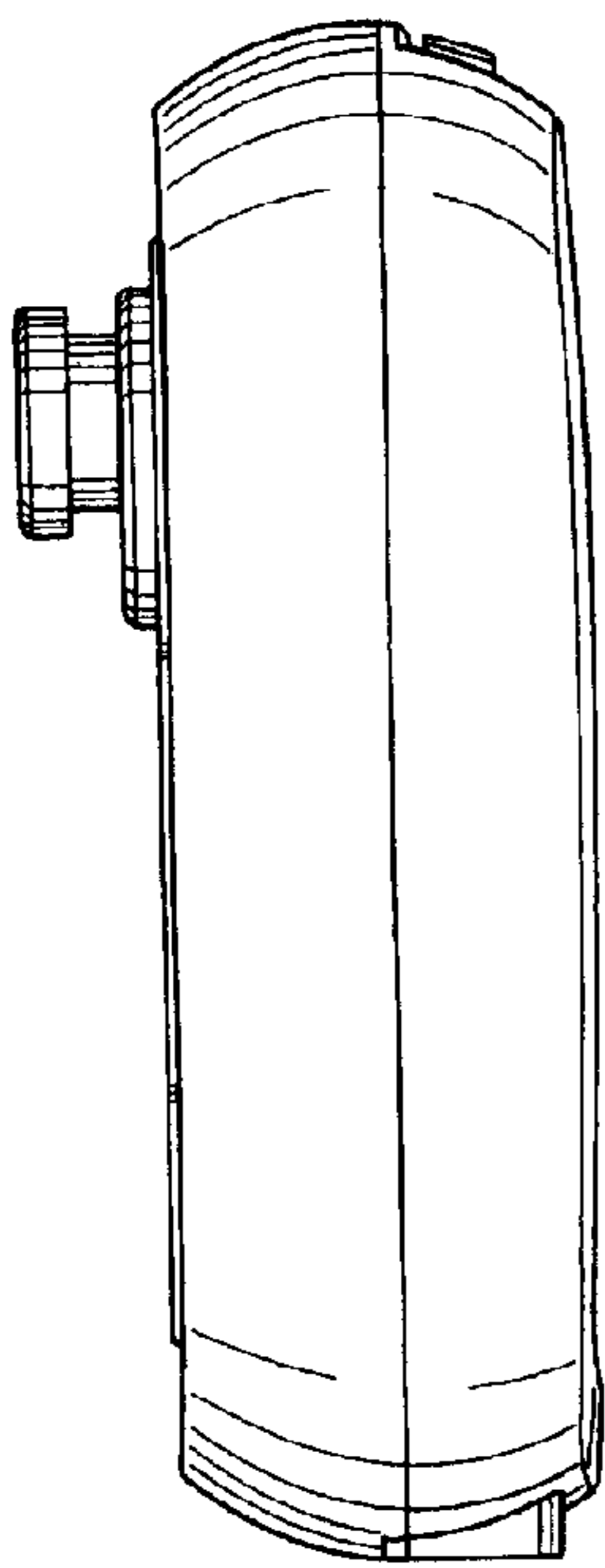


FIG. 11

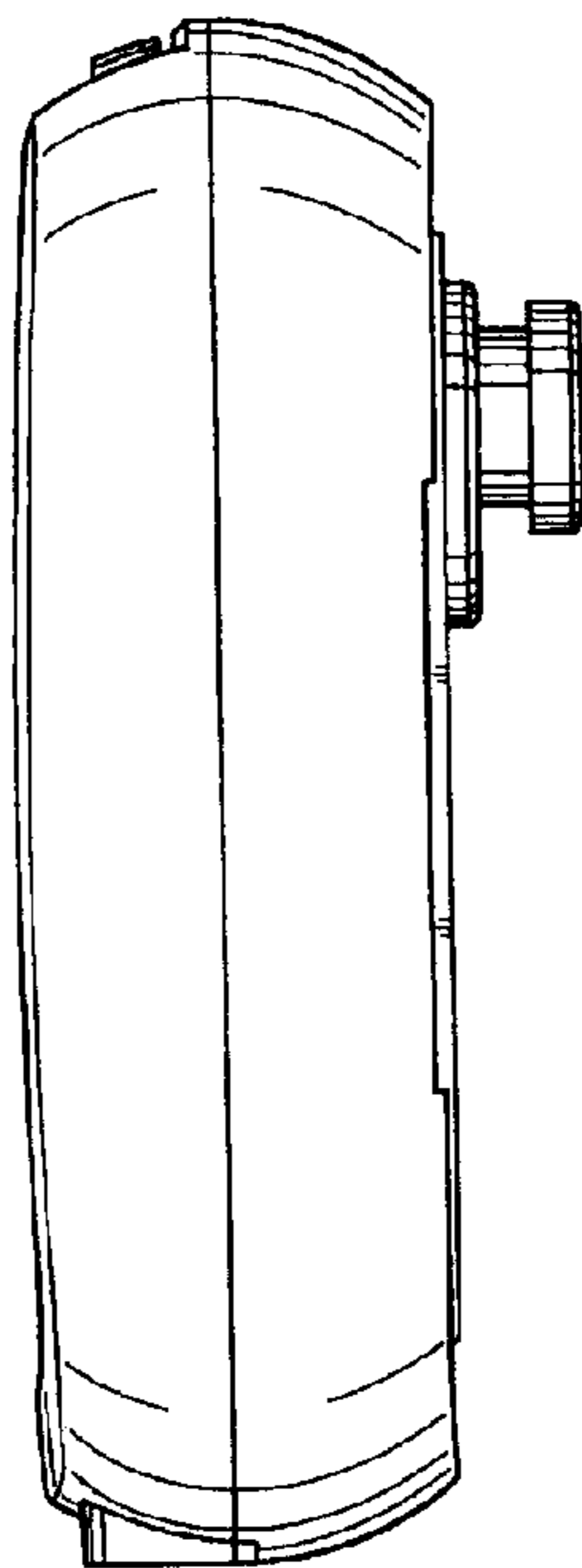


FIG. 12

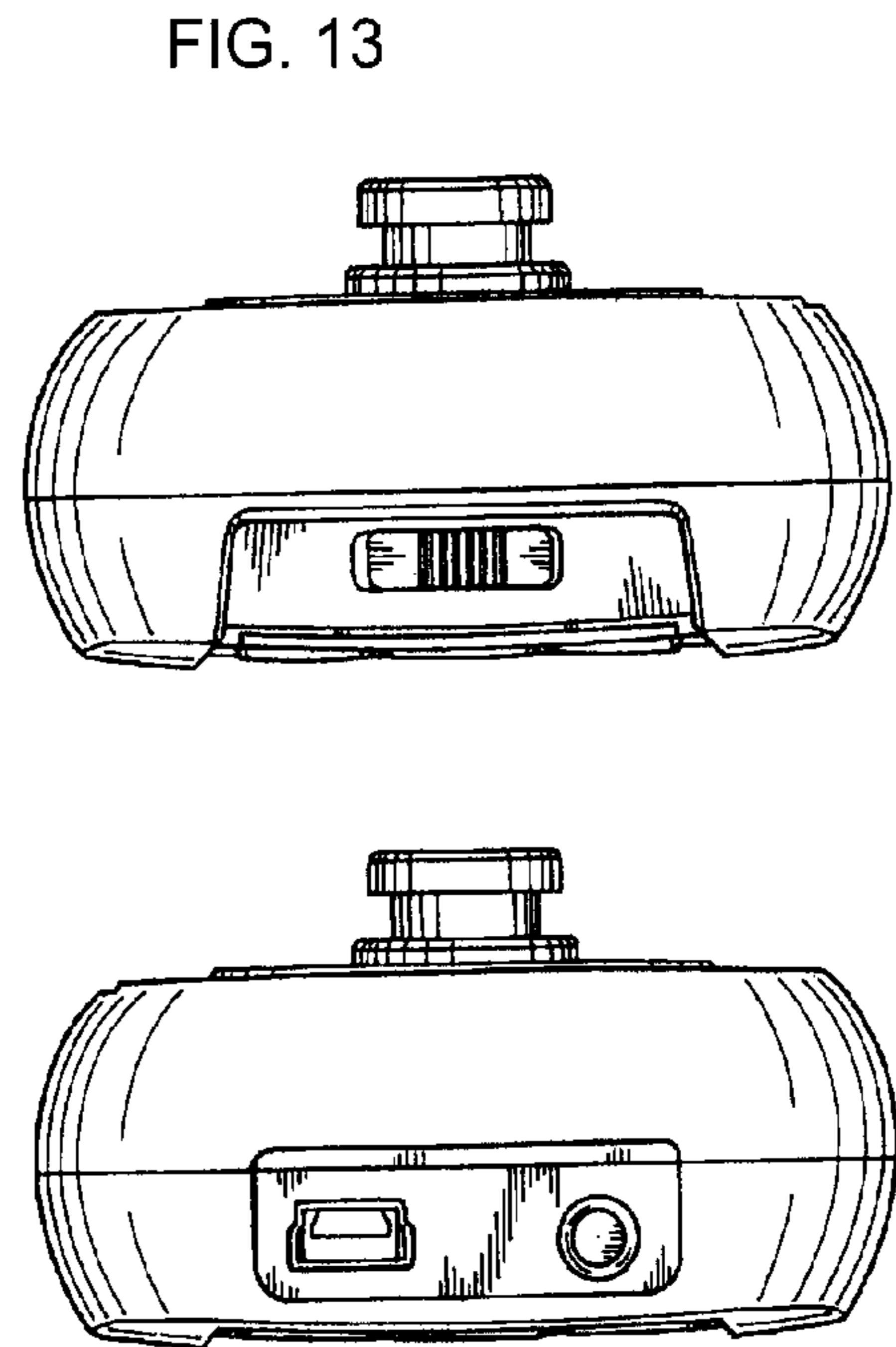


FIG. 13

FIG. 14