

US00D577706S

(12) **United States Design Patent**  
**Andrews et al.**

(10) **Patent No.:** **US D577,706 S**

(45) **Date of Patent:** **\*\* Sep. 30, 2008**

(54) **IP PHONE**

(75) Inventors: **Christopher Scott Andrews**, Huntsville, AL (US); **R. Randall Belk**, Huntsville, AL (US); **James Brian Coker**, Athens, AL (US)

(73) Assignee: **Adtran, Inc.**, Huntsville, AL (US)

(\*\*) Term: **14 Years**

(21) Appl. No.: **29/275,710**

(22) Filed: **Jan. 4, 2007**

(51) **LOC (8) Cl.** ..... **14-03**

(52) **U.S. Cl.** ..... **D14/151**

(58) **Field of Classification Search** ..... D14/125-130, D14/137, 140-142, 144, 146-151, 158-159, D14/171, 188, 225-226, 240, 243, 250-253, D14/329-330, 357, 434, 471, 496; 379/88.17, 379/90.01, 93.17, 387.01, 388.02, 419-420.04, 379/420.02, 428.01-428.04, 434-436, 440, 379/446-447, 454-455; 381/16, 71.1; D13/107-108; 191/12.2 R; 320/108, 110, 113-115; 455/411, 455/550.1-90.3; 348/14.01-14.06  
See application file for complete search history.

(56) **References Cited**

**U.S. PATENT DOCUMENTS**

D340,715 S	*	10/1993	Desbarats	.....	D14/151
D427,985 S	*	7/2000	Takayama et al.	.....	D14/151
D472,227 S	*	3/2003	Takayama et al.	.....	D14/151
D472,540 S	*	4/2003	Katou	.....	D14/151
D530,303 S	*	10/2006	Tang	.....	D14/151
D537,065 S	*	2/2007	Chen	.....	D14/151
D553,605 S	*	10/2007	Chou	.....	D14/151
D554,102 S	*	10/2007	Chang	.....	D14/151

D555,143 S	*	11/2007	Chou	.....	D14/151
D556,181 S	*	11/2007	Liu	.....	D14/151
D557,249 S	*	12/2007	Weidinger	.....	D14/151
2004/0234071 A1	*	11/2004	Bae et al.	.....	379/419
2005/0069126 A1	*	3/2005	Xue	.....	379/454

\* cited by examiner

*Primary Examiner*—Ian Simmons

*Assistant Examiner*—Carla Wright

(74) *Attorney, Agent, or Firm*—Allen, Dyer, Doppelt, Milbrath & Gilchrist, P.A.

(57) **CLAIM**

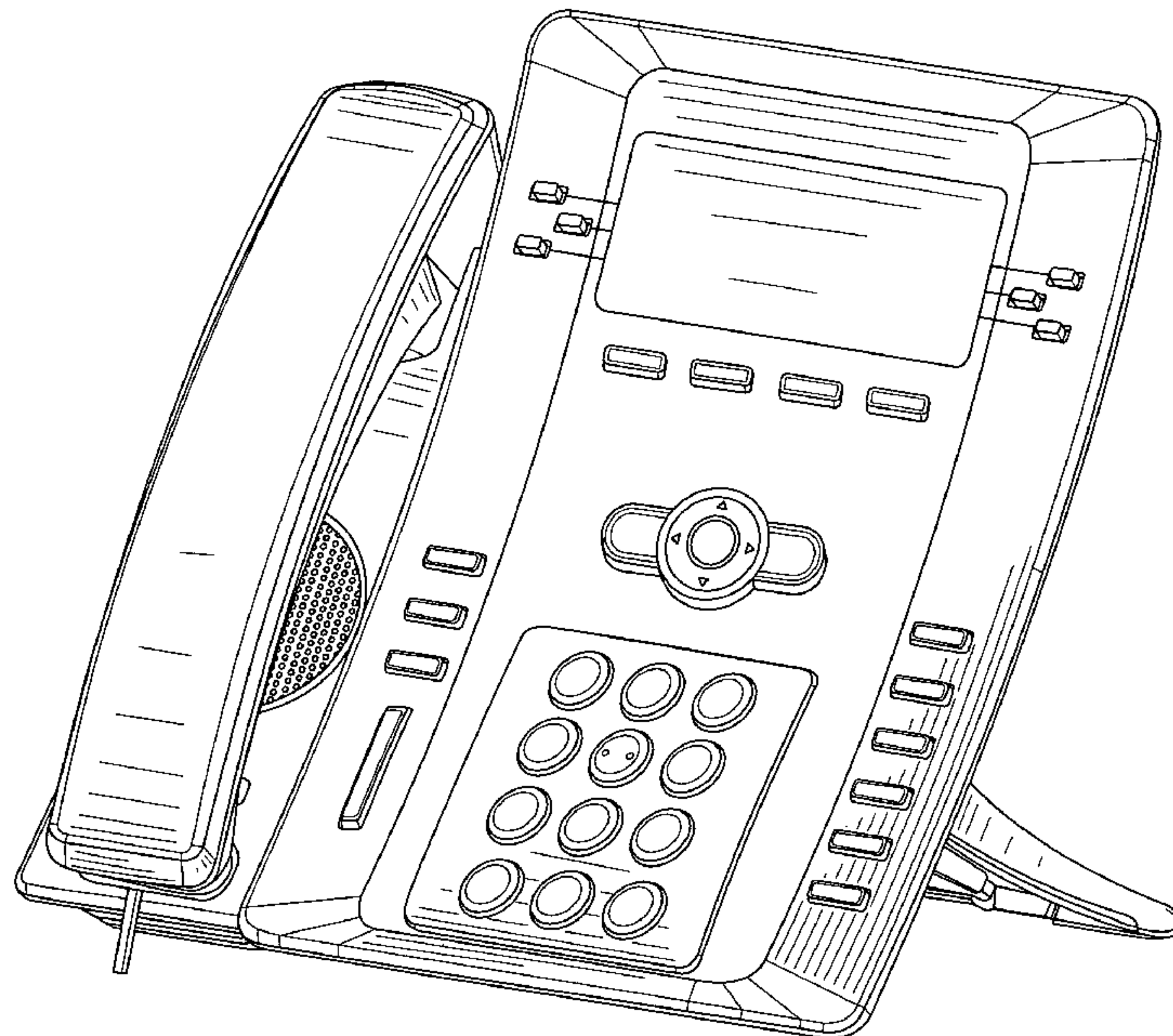
The ornamental design for an IP phone, as shown and described.

**DESCRIPTION**

FIG. 1 is a front view of an IP phone showing our new design; FIG. 2 is a top view thereof; FIG. 3 is a bottom view thereof; FIG. 4 is a right side view thereof; FIG. 5 is a rear view thereof; FIG. 6 is a left side view thereof; FIG. 7 is a right front perspective view thereof; FIG. 8 is a left front perspective view thereof; FIG. 9 is a left rear perspective view thereof, shown without the handset for ease of illustration; and, FIG. 10 is a right rear perspective view thereof, shown without the handset for ease of illustration.

The broken line showing of environmental structures is for illustrative purposes only and forms no part of the claimed design.

**1 Claim, 10 Drawing Sheets**



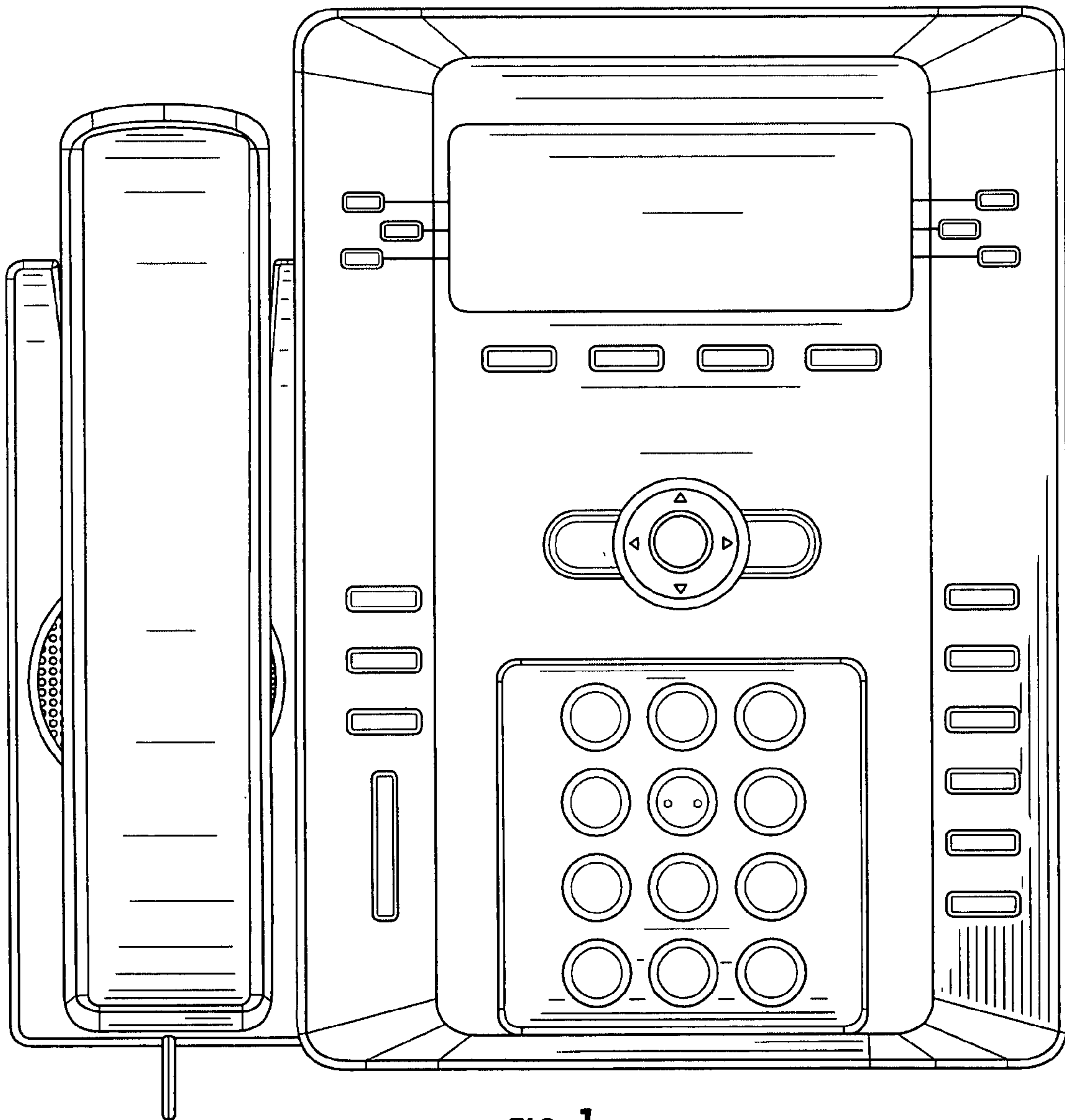


FIG. 1

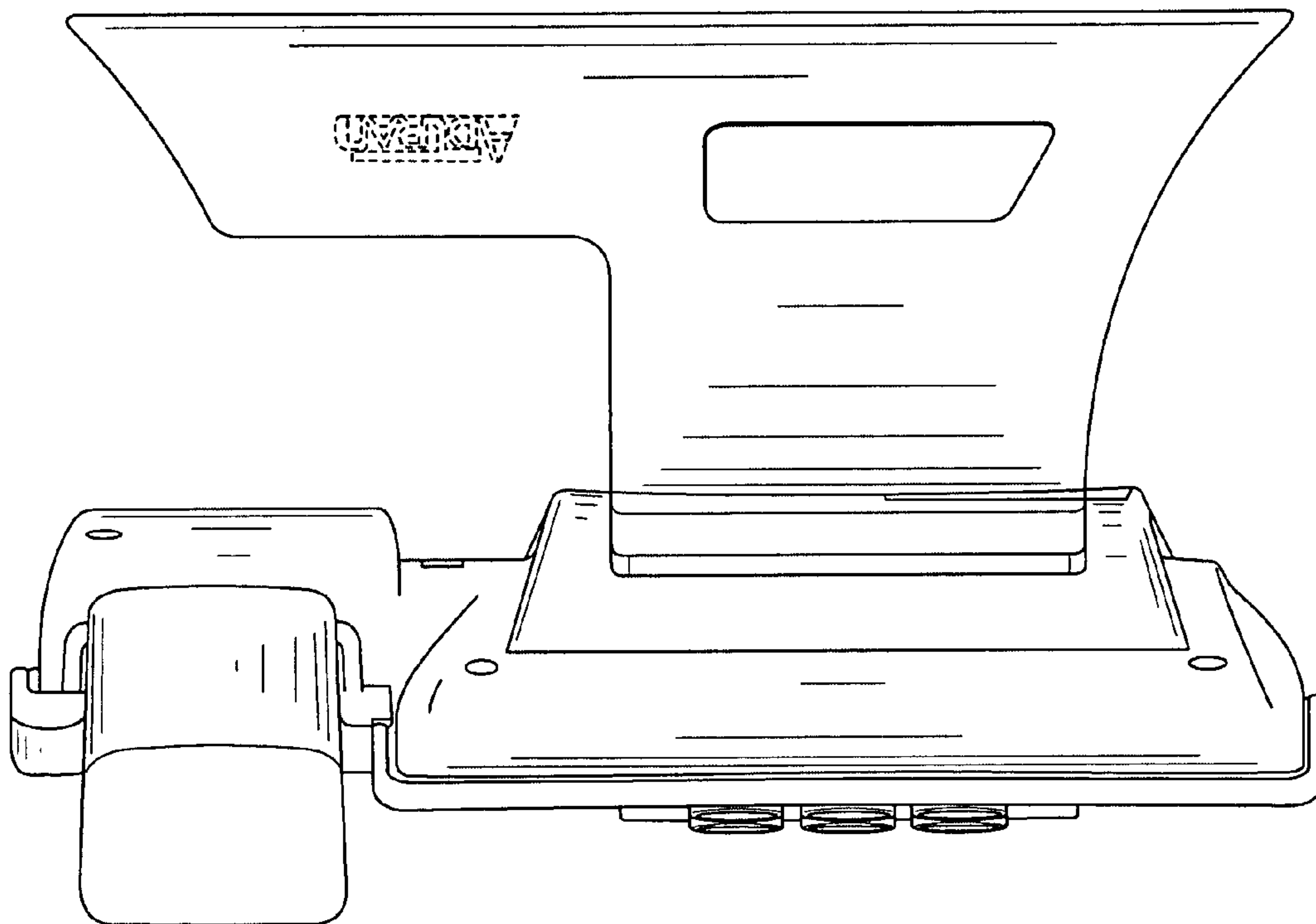


FIG. 2

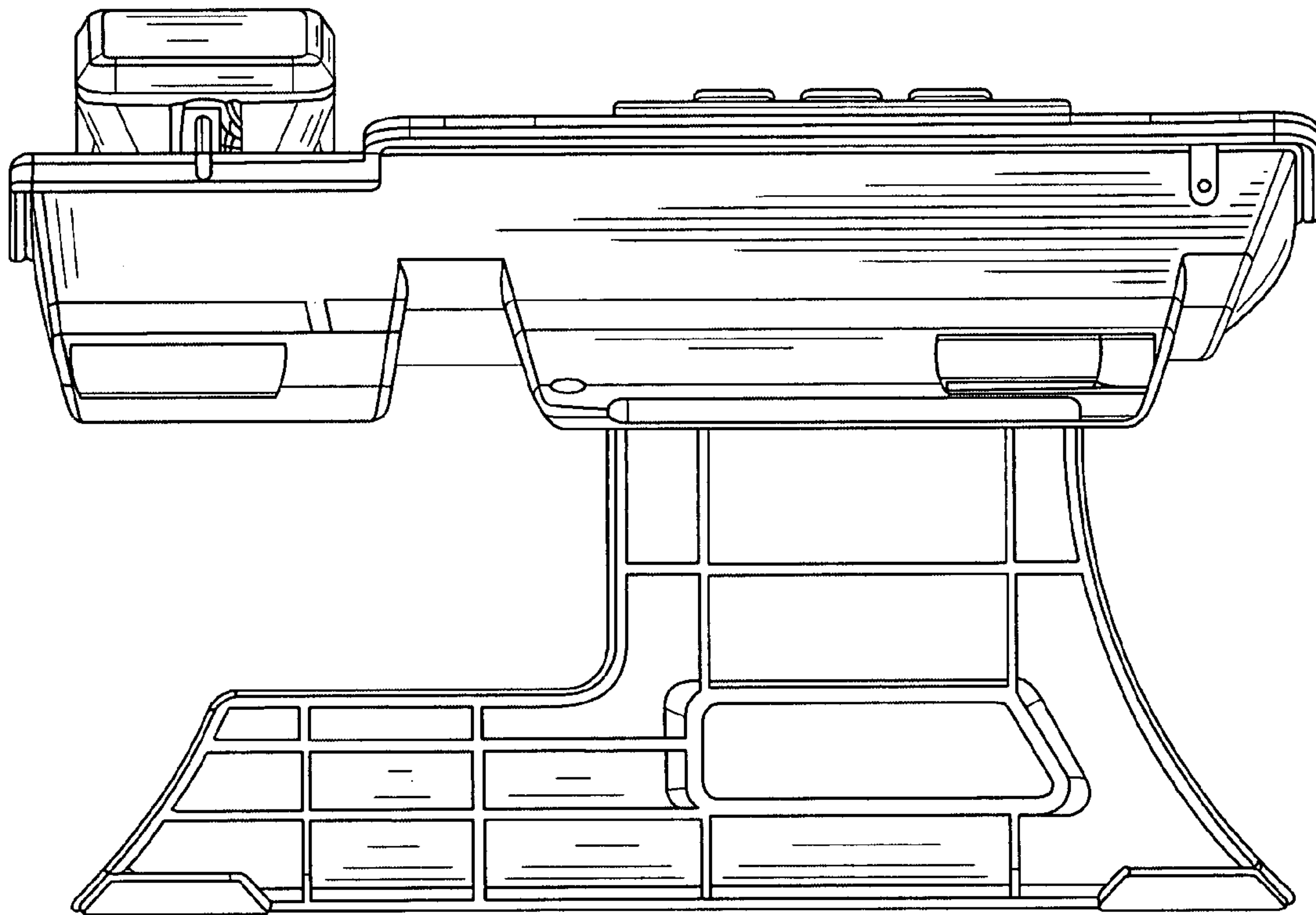


FIG. 3

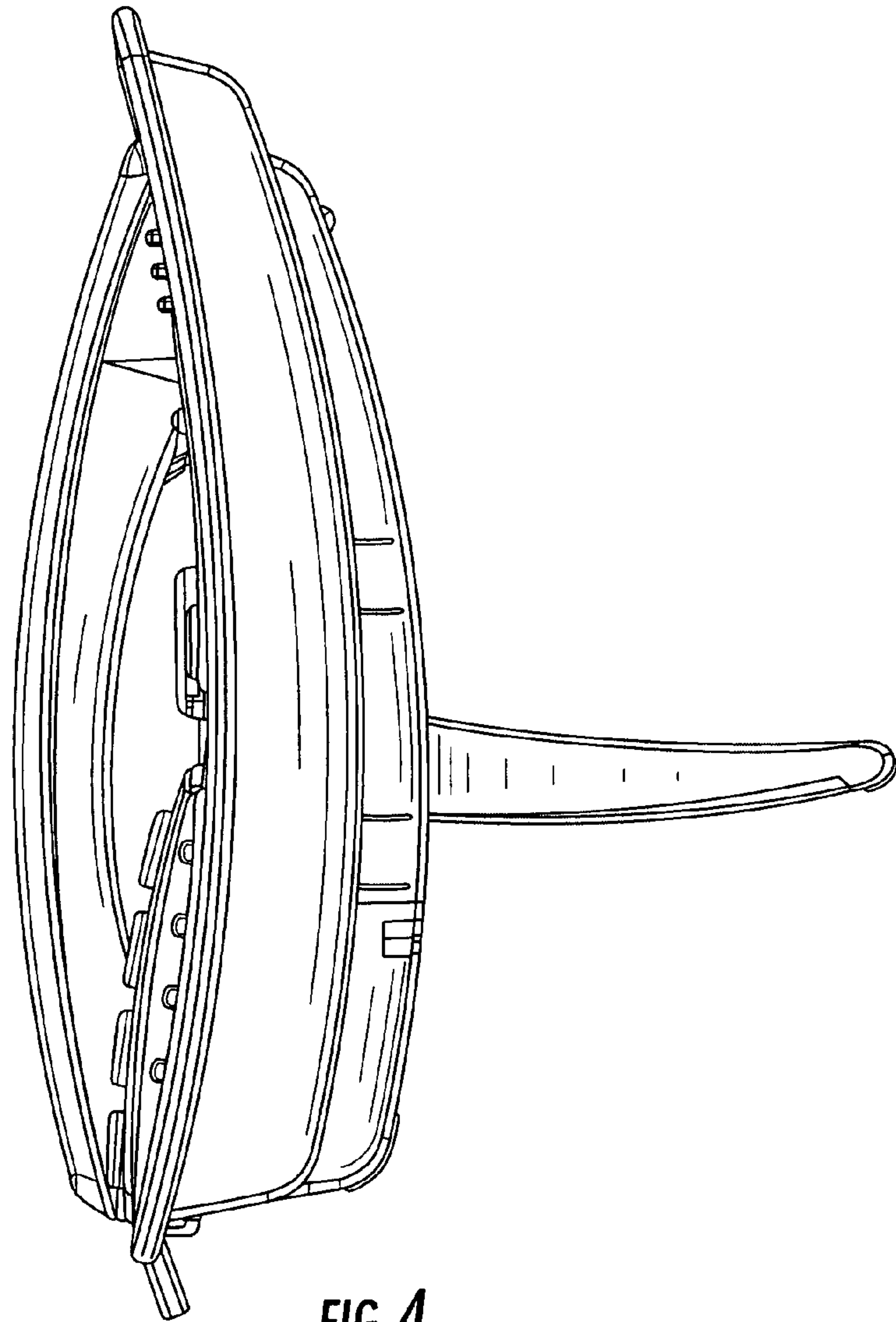


FIG. 4



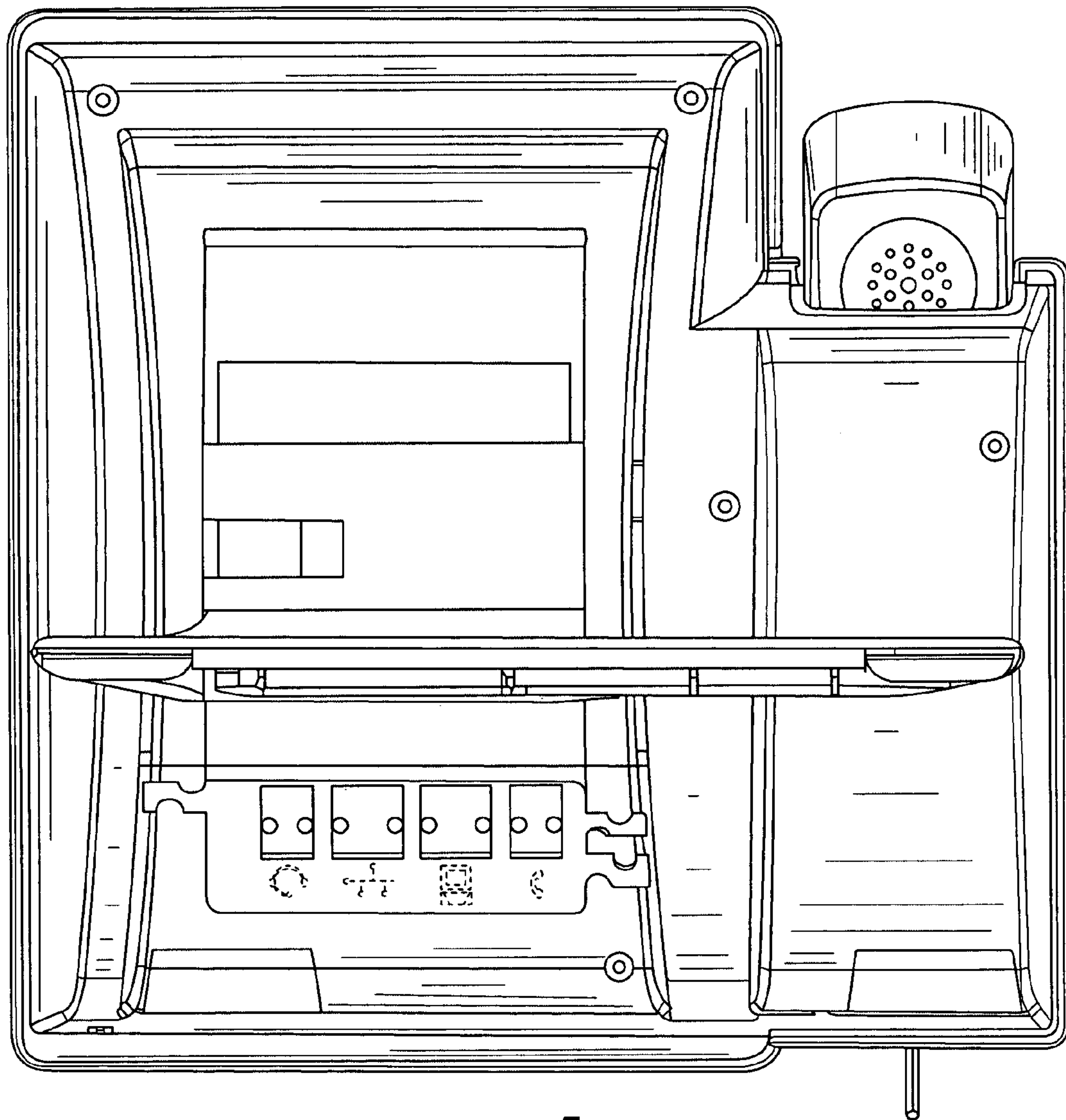


FIG. 5

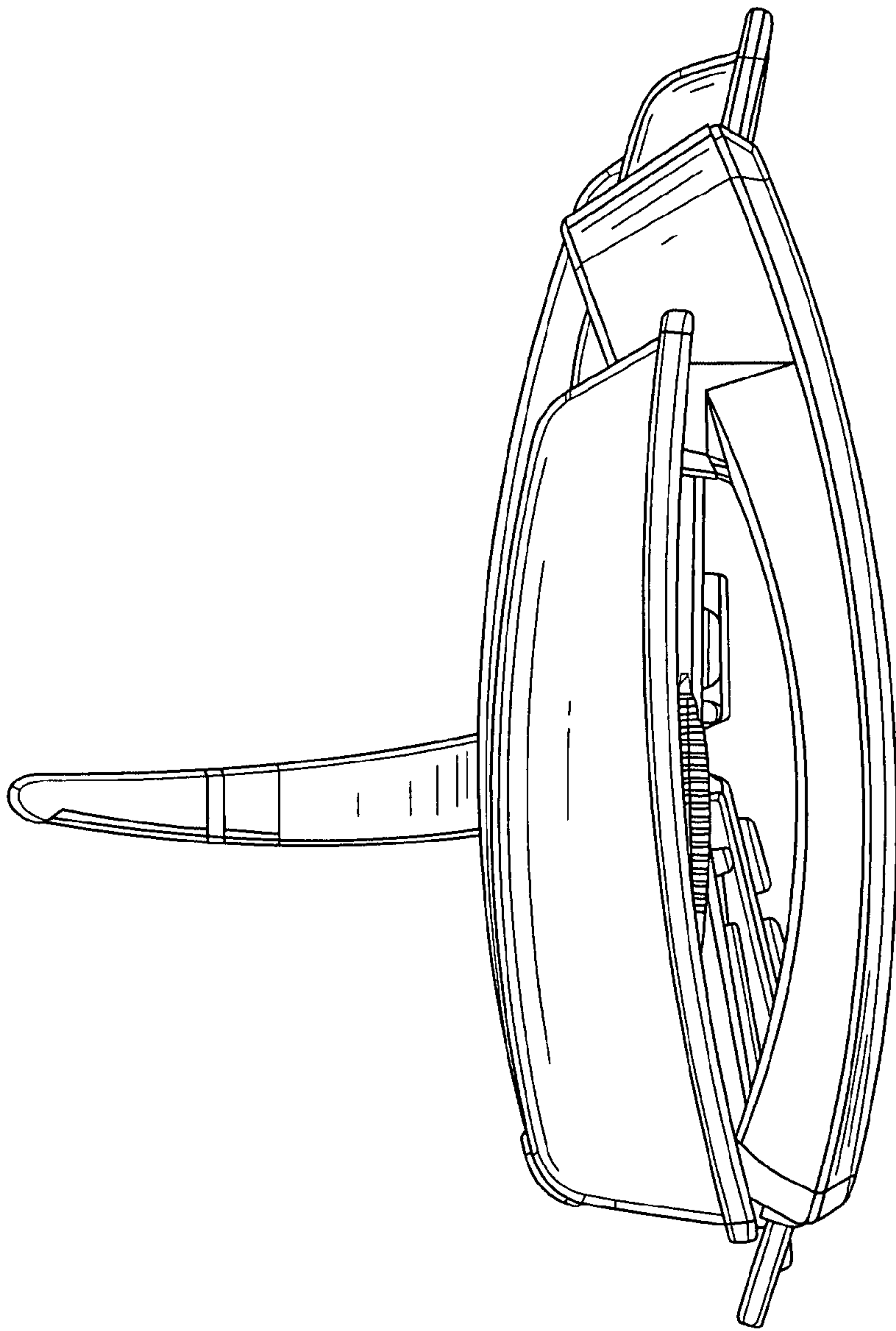


FIG. 6

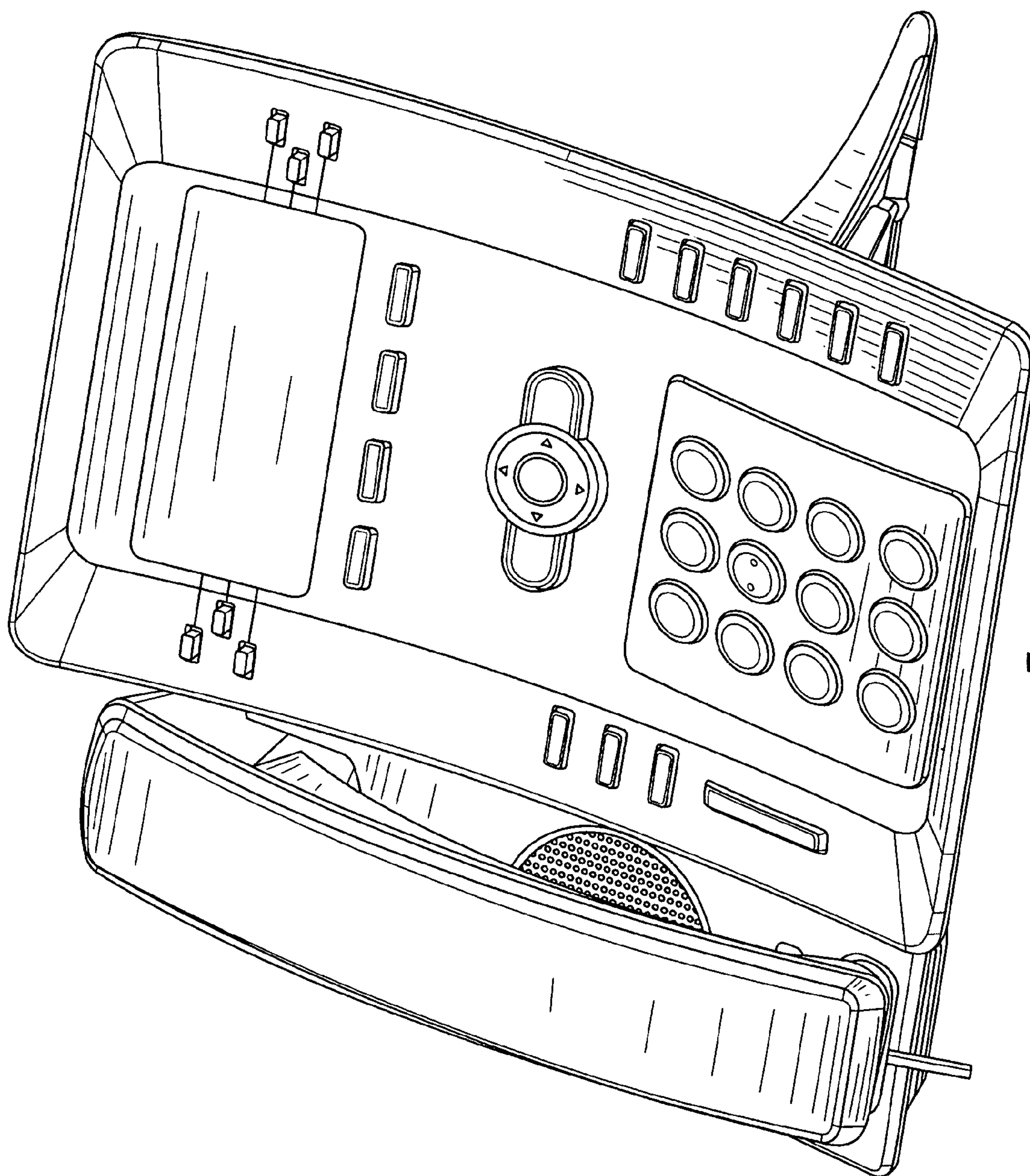


FIG. 7



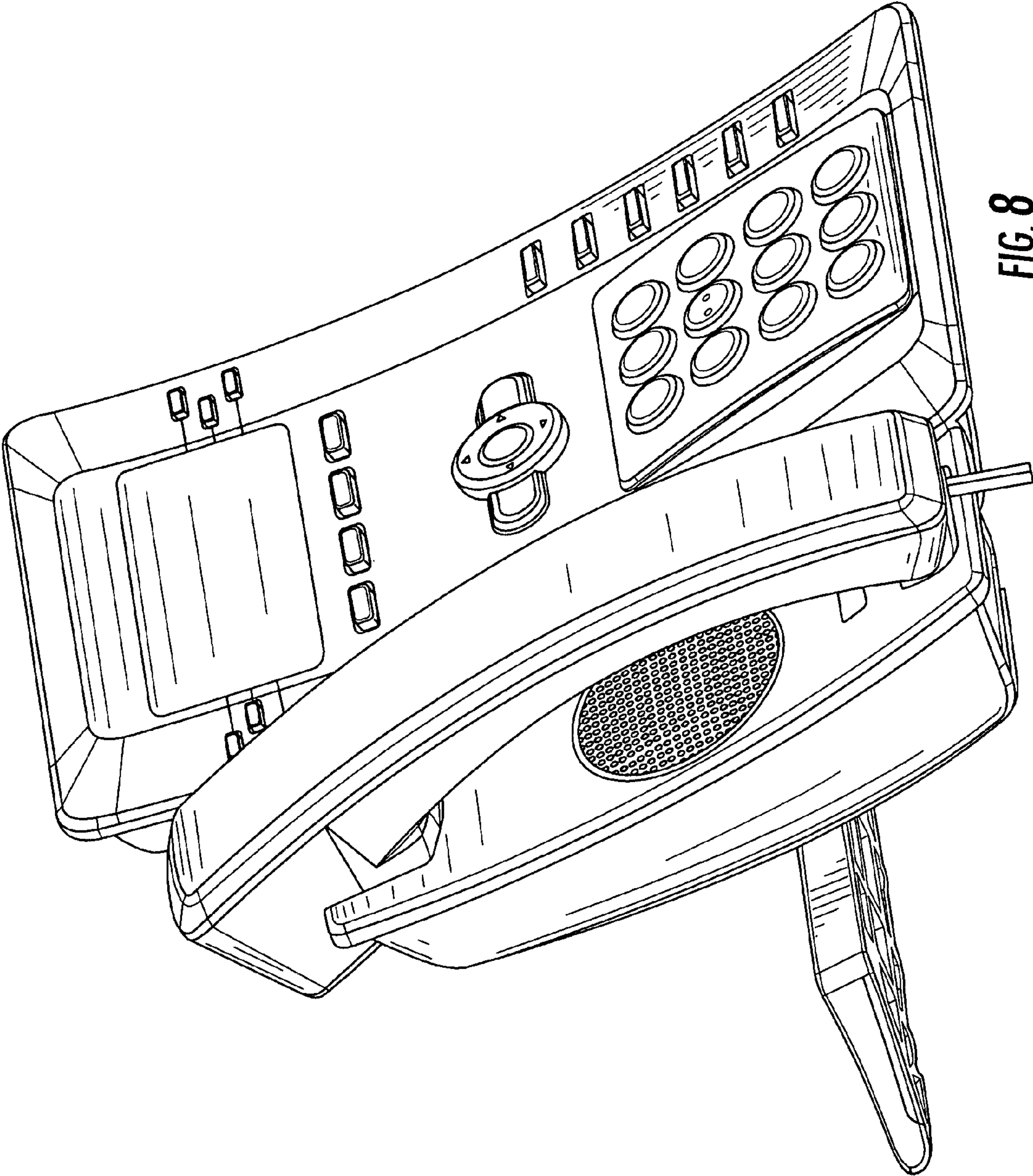


FIG. 8

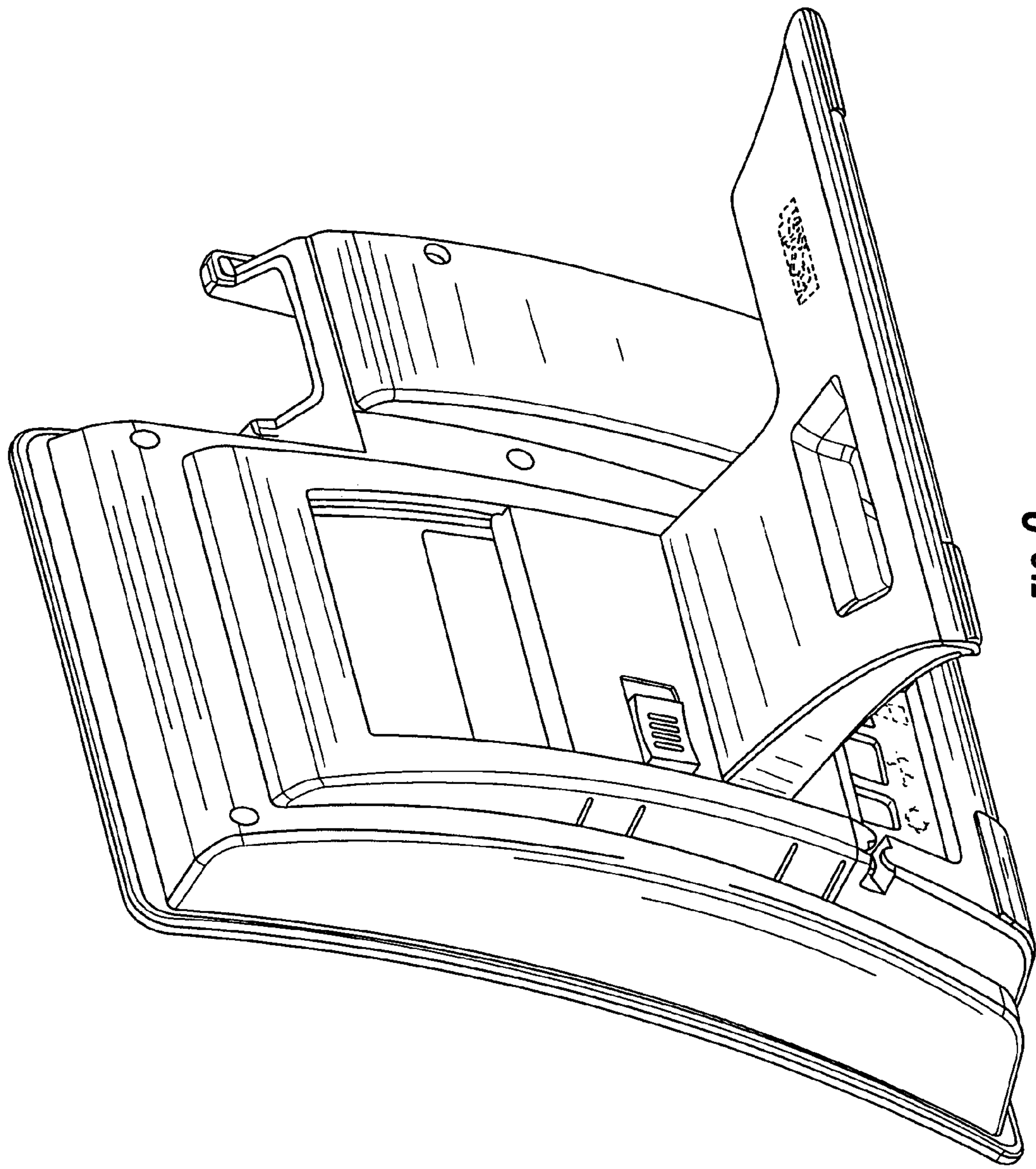


FIG. 9

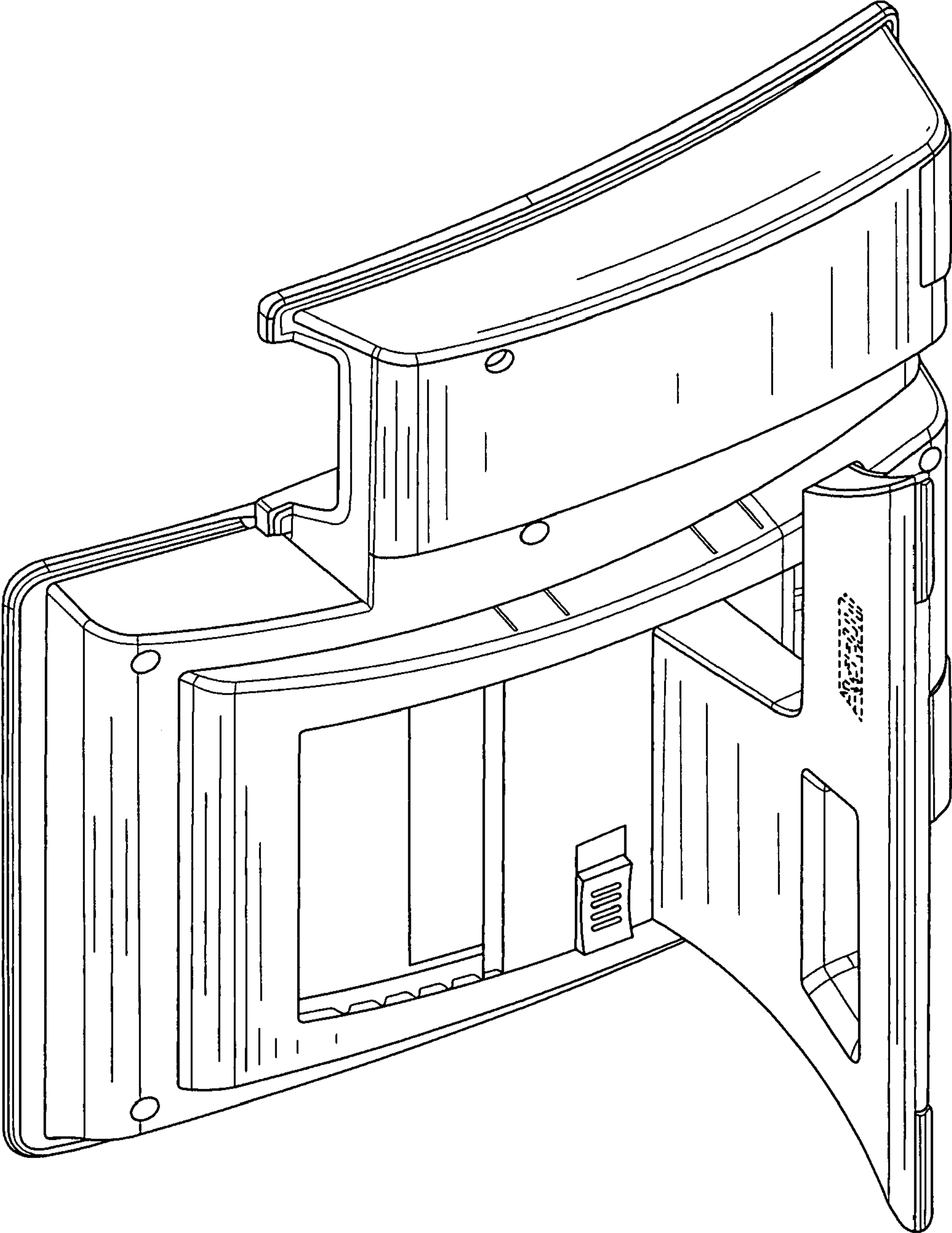


FIG. 10