



US00D577702S

(12) **United States Design Patent**
Hakamaki et al.

(10) **Patent No.:** **US D577,702 S**

(45) **Date of Patent:** **** Sep. 30, 2008**

(54) **HANDSET**

(75) Inventors: **Heikki Hakamaki**, Helsinki (FI);
Anthony Dalby, London (GB); **Ingve Holmung**, London (GB)

(73) Assignee: **Nokia Corporation**, Espoo (FI)

(**) Term: **14 Years**

(21) Appl. No.: **29/276,657**

(22) Filed: **Jan. 31, 2007**

(30) **Foreign Application Priority Data**

Aug. 18, 2006 (FI) M20060155

(51) **LOC (8) Cl.** **14-03**

(52) **U.S. Cl.** **D14/138**

(58) **Field of Classification Search** D14/137,
D14/138, 147, 148, 150, 168, 191, 218, 247-248,
D14/341-347, 496; D10/65; D13/168; D18/7;
455/90.3, 556.1, 556.2, 575.1, 575.3, 575.4;
379/433.01-433.13; 361/814; 348/14.02
See application file for complete search history.

(56) **References Cited**

U.S. PATENT DOCUMENTS

D455,135 S *	4/2002	Hyun	D14/138
D475,688 S *	6/2003	Pierce et al.	D14/138
D485,249 S *	1/2004	Liao et al.	D14/138
D486,132 S *	2/2004	Jang	D14/138
D488,453 S *	4/2004	Chang et al.	D14/138
D502,161 S *	2/2005	Kim et al.	D14/138
D503,697 S *	4/2005	Kim	D14/138
D507,787 S *	7/2005	Ahn et al.	D14/138
D508,036 S *	8/2005	Wada	D14/138
D509,815 S *	9/2005	Jang	D14/138

OTHER PUBLICATIONS

Motorola RAZR2 V8, announced May 2007, [online], [retrieved on Sep. 4, 2007]. Retrieved from Internet ,<URL: http://www.gsmarena.com>.*

Nokia N75, announced Sep. 2006, [online], [retrieved on Sep. 4, 2007]. Retrieved from Internet ,<URL: http://www.gsmarena.com>.*

LG U890, announced Feb. 2006, [online], [retrieved on Sep. 4, 2007]. Retrieved from Internet ,<URL: http://www.gsmarena.com>.*

BenQ-Siemens EF81, announced Jan. 2006, [online], [retrieved on Sep. 4, 2007]. Retrieved from Internet ,<URL: http://www.gsmarena.com>.*

* cited by examiner

Primary Examiner—Jeffrey Asch

Assistant Examiner—Bridget L Eland

(74) *Attorney, Agent, or Firm*—Banner & Witcoff, Ltd.

(57) **CLAIM**

The ornamental design for a handset, as shown and described.

DESCRIPTION

FIG. 1 is a bottom plan view of a handset showing our new design;

FIG. 2 is a right side view thereof;

FIG. 3 is a front view thereof;

FIG. 4 is a top view thereof;

FIG. 5 is a left side plan view thereof;

FIG. 6 is a rear view thereof;

FIG. 7 is a perspective front view thereof;

FIG. 8 is a perspective rear view thereof;

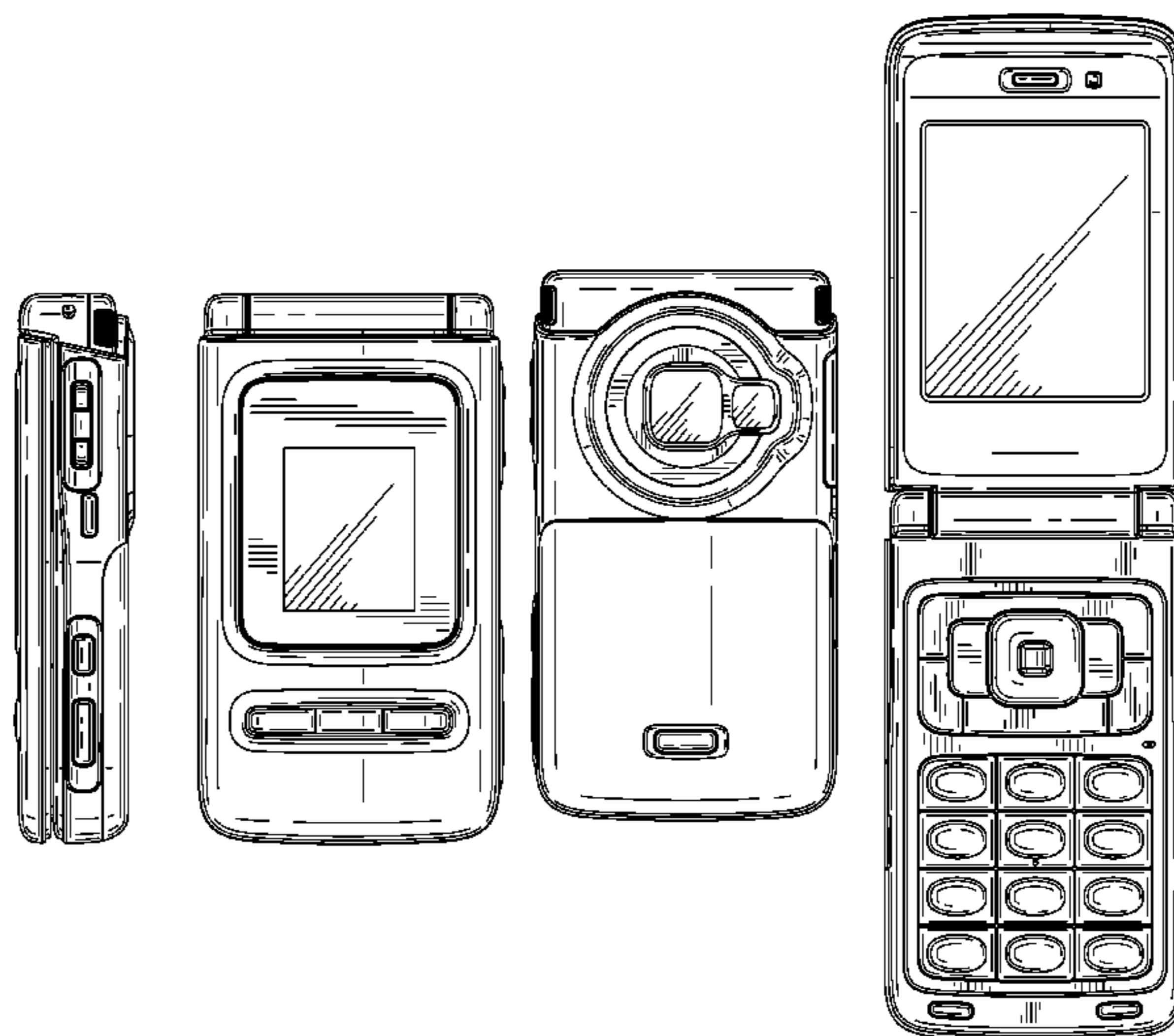
FIG. 9 is a front view of the handset from FIGS. 1-8 showing our new design in an open position;

FIG. 10 is a perspective view thereof; and,

FIG. 11 is a rear view thereof,

The broken lines immediately adjacent the shaded areas that encompass unshaded regions represent the bounds of the claimed design, while all other broken lines are directed to environment and are for illustrative purposes only; the broken lines form no part of the claimed design.

1 Claim, 6 Drawing Sheets



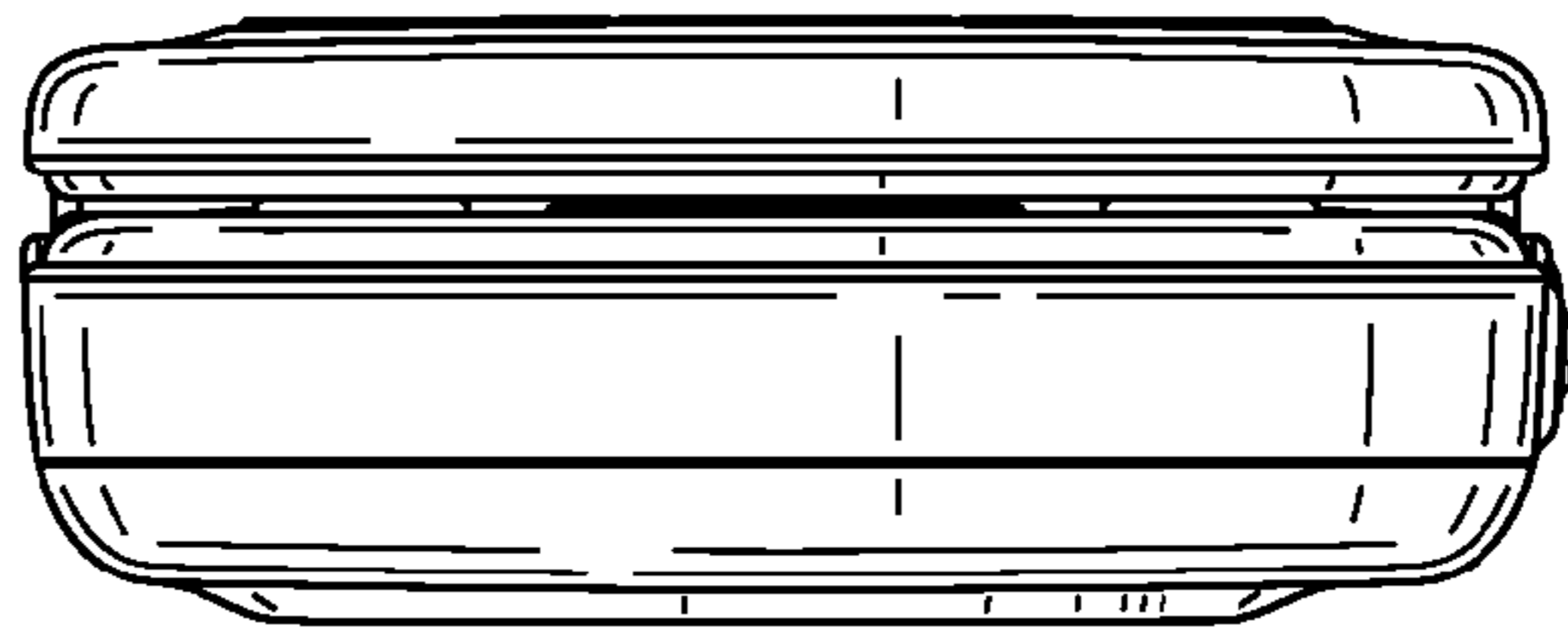


FIG. 1

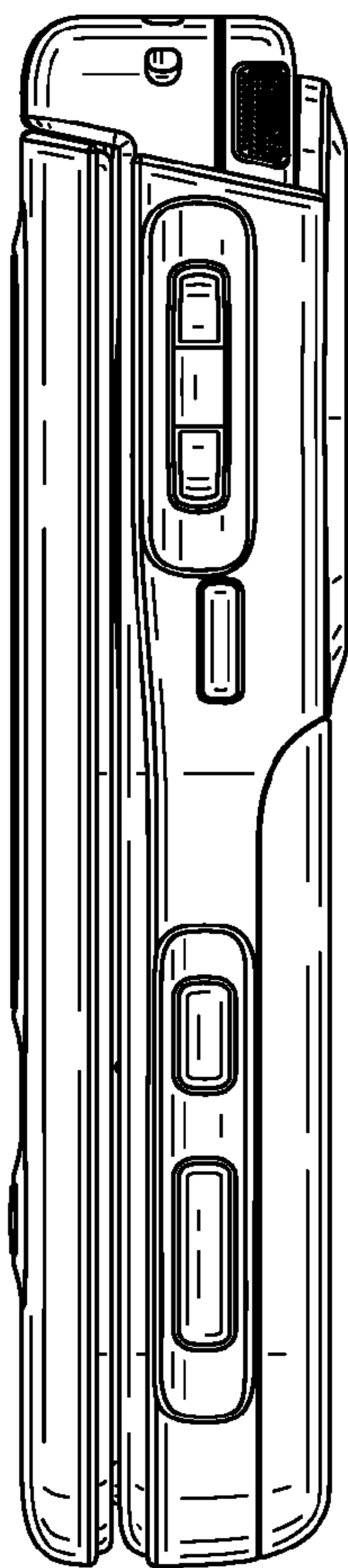


FIG. 2

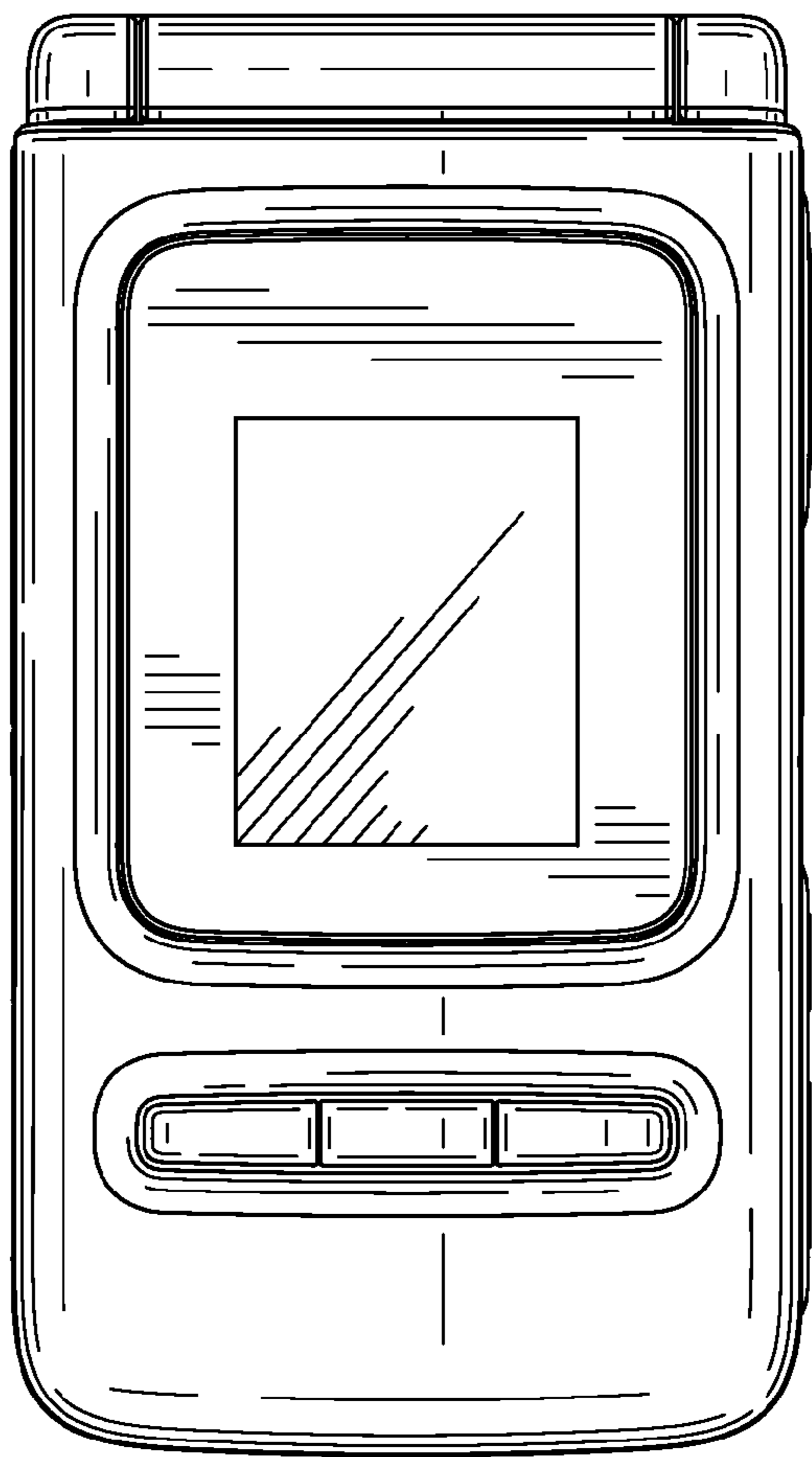


FIG. 3

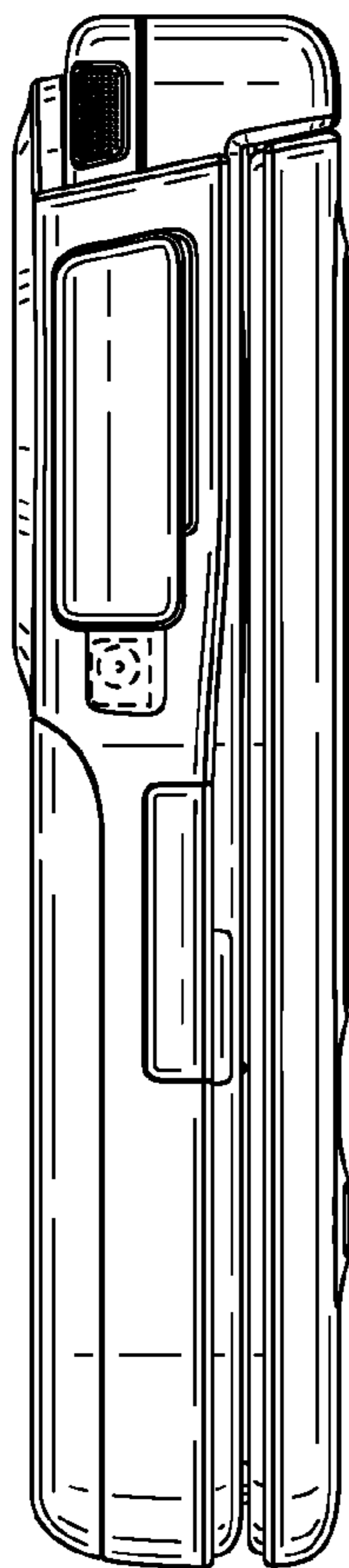


FIG. 5

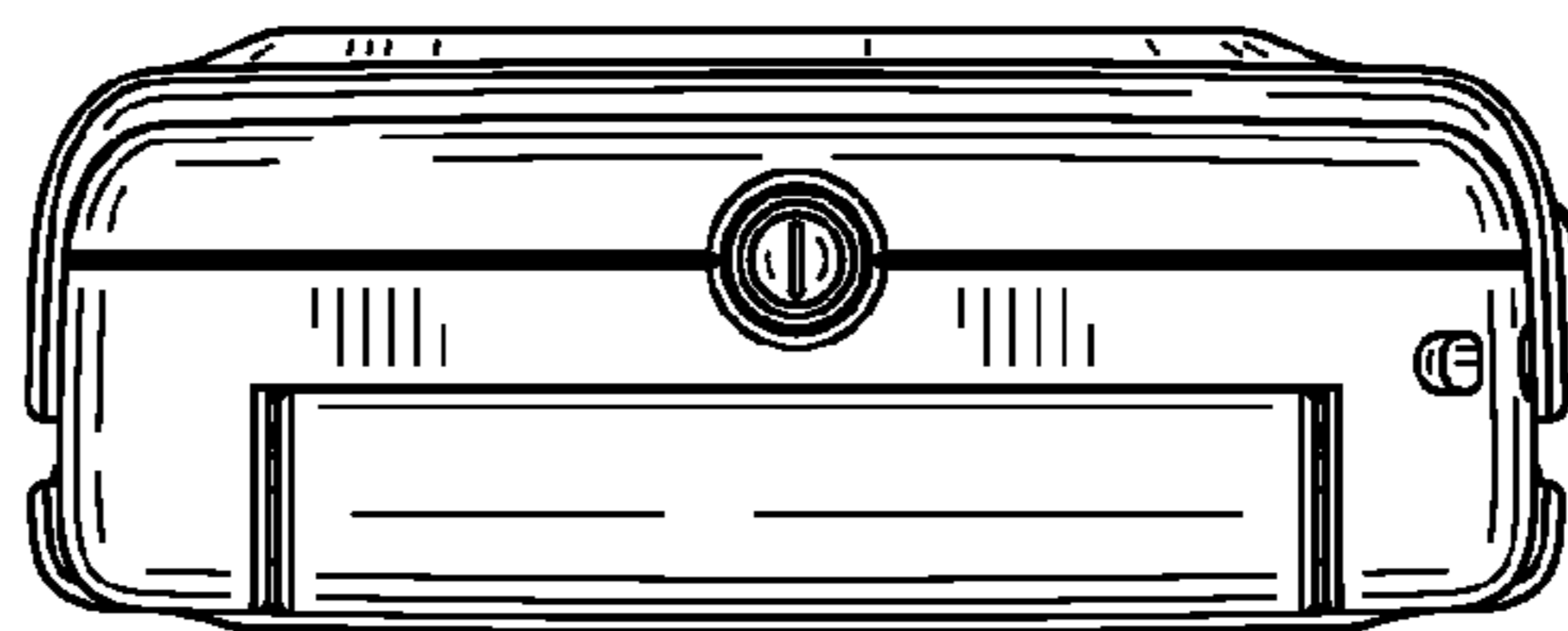


FIG. 4

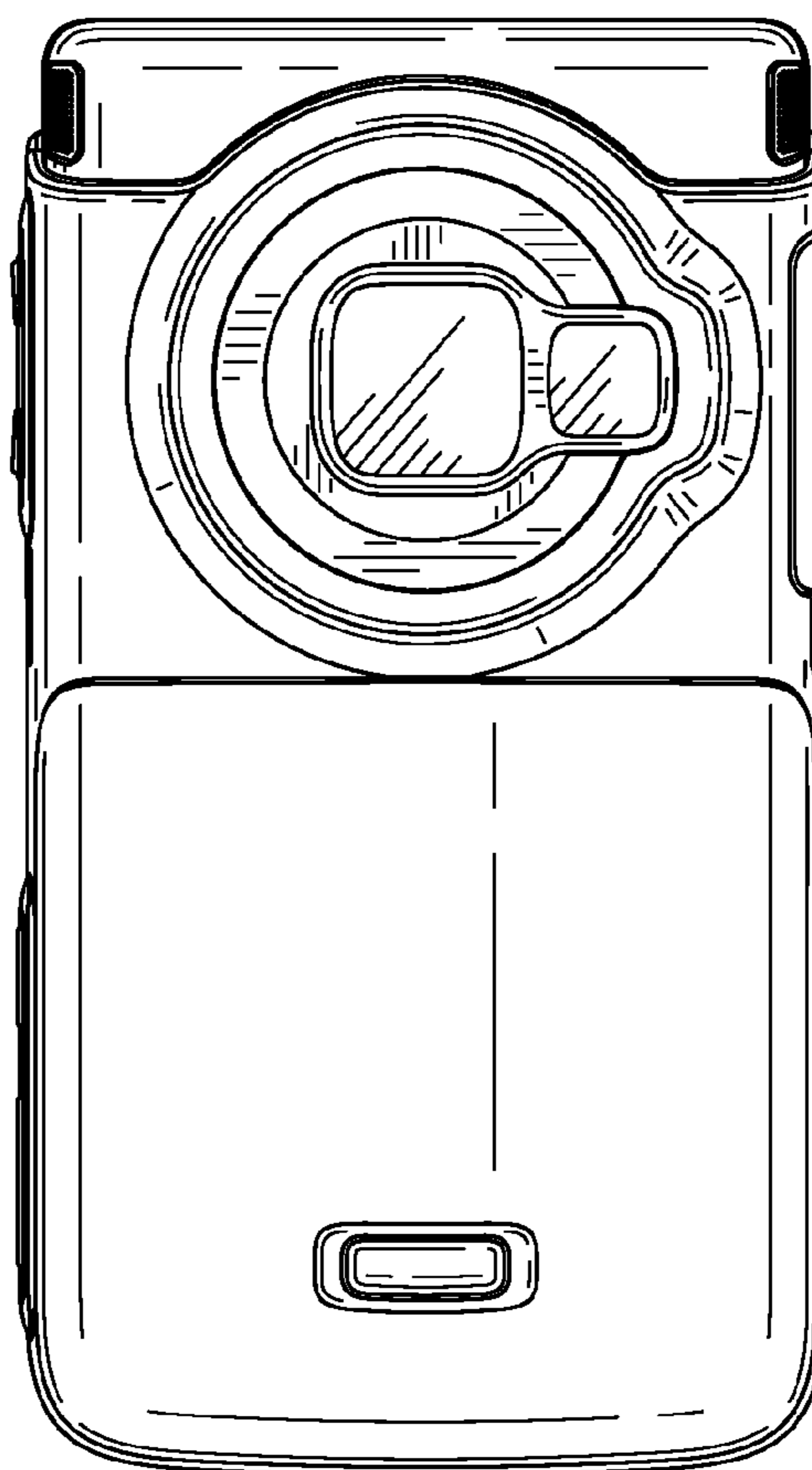


FIG. 6

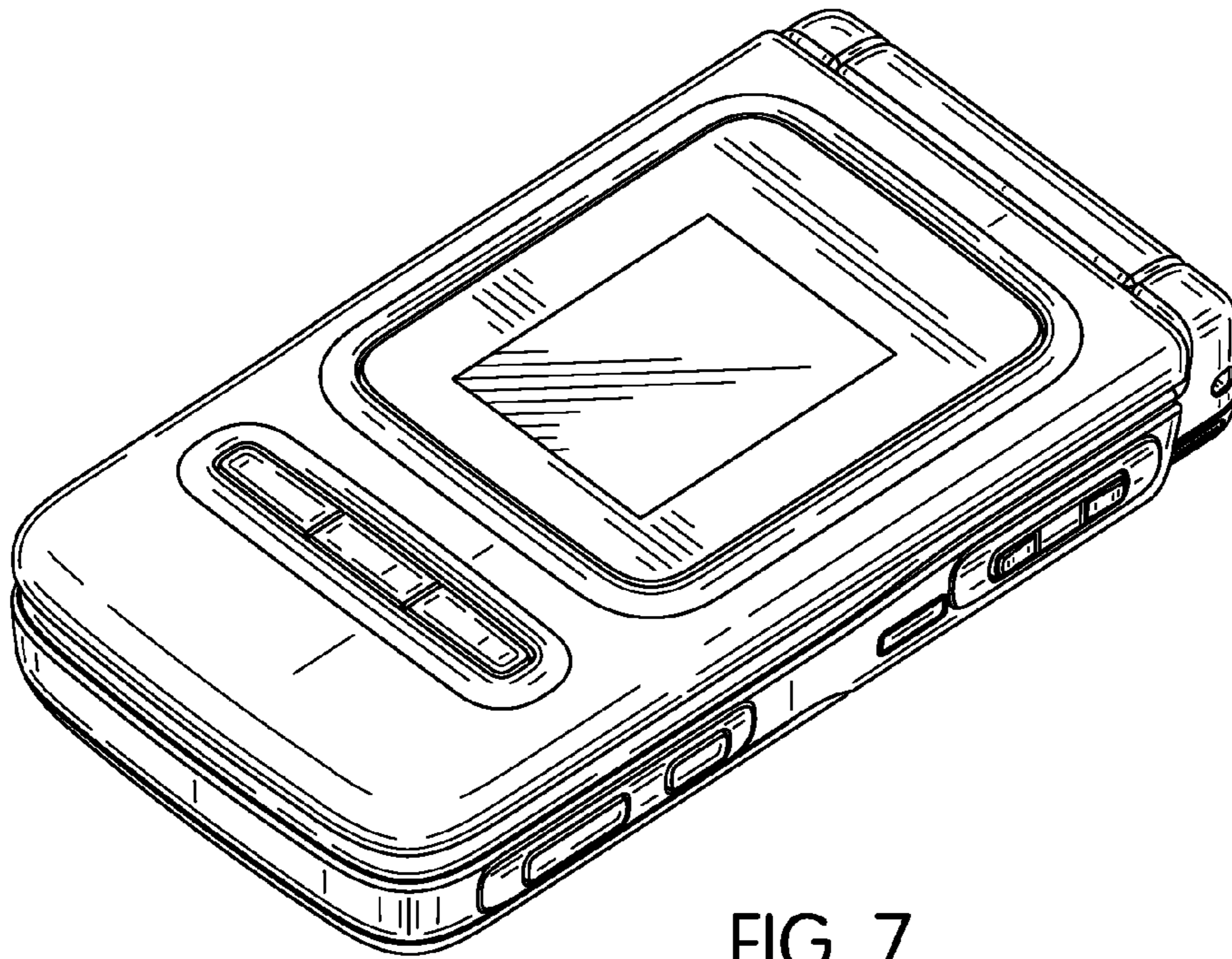


FIG. 7

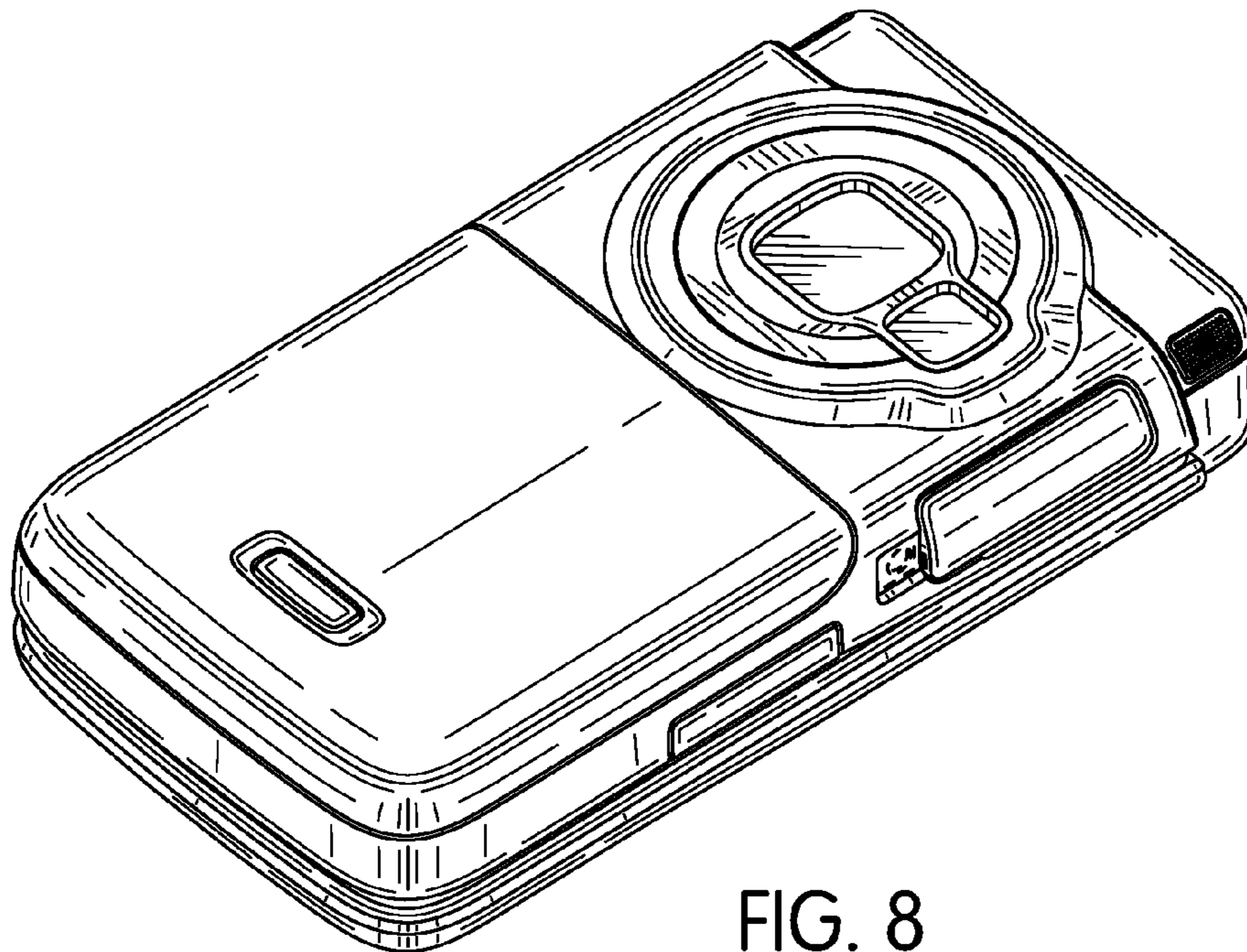


FIG. 8

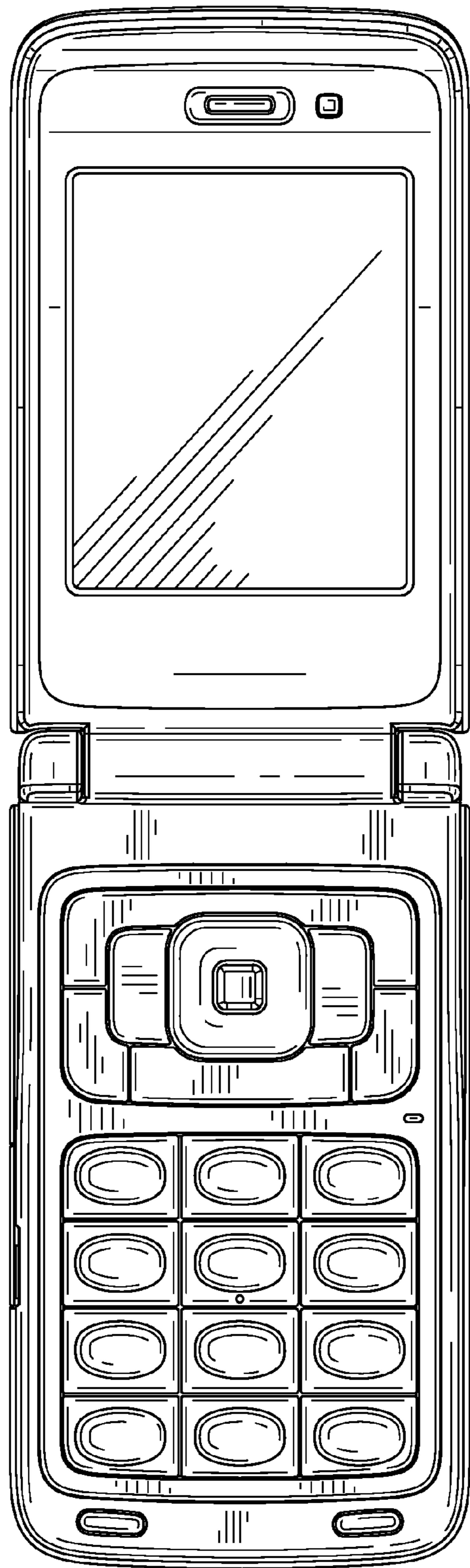


FIG. 9

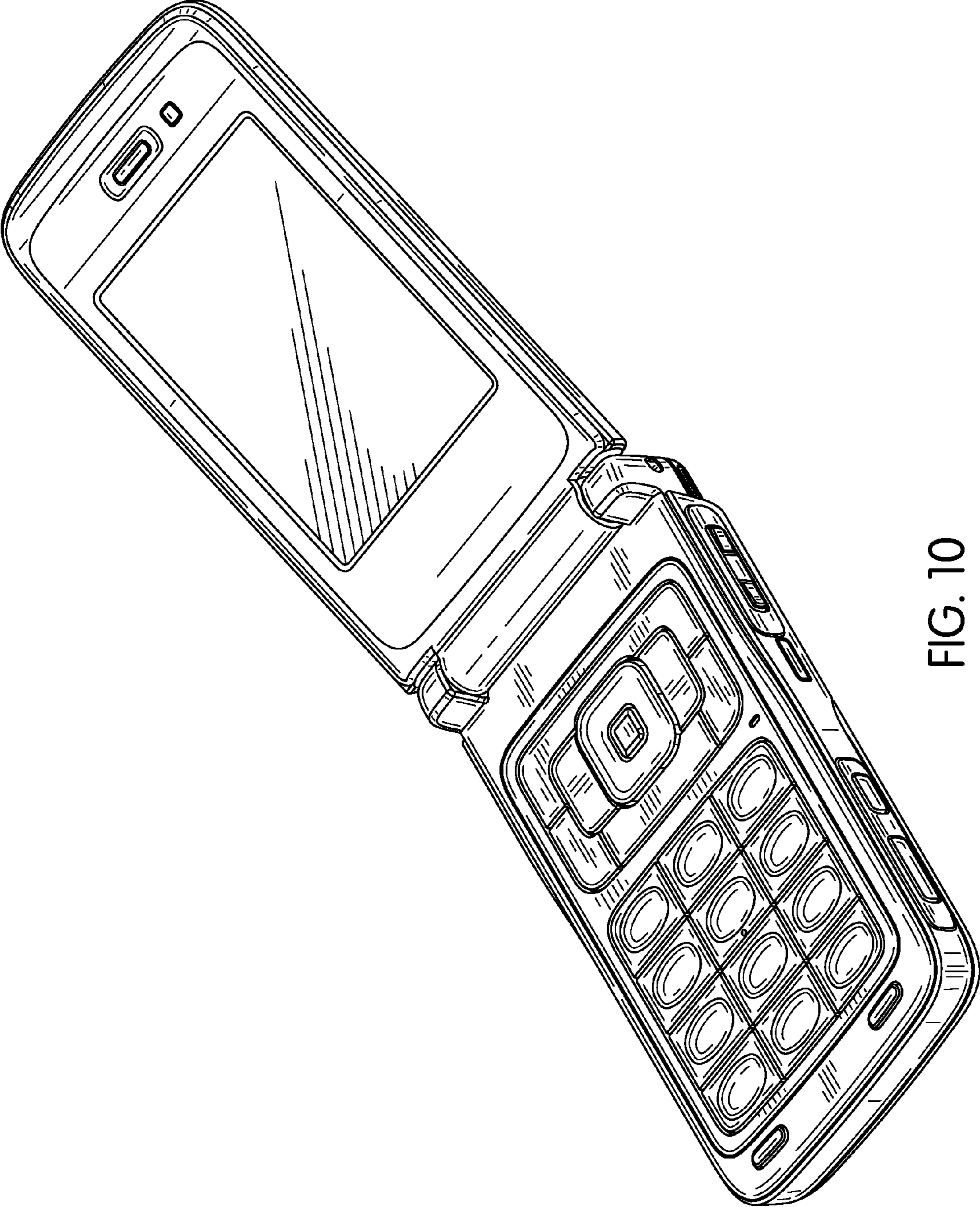


FIG. 10

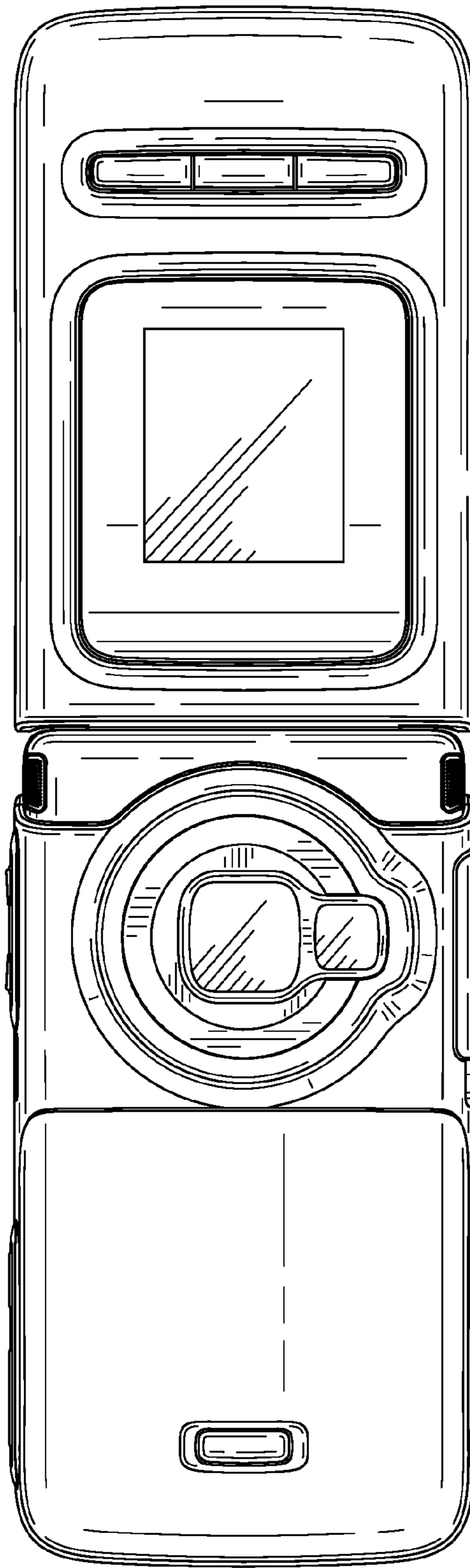


FIG. 11