



US00D577696S

(12) **United States Design Patent**
Miyawaki

(10) **Patent No.:** **US D577,696 S**
(45) **Date of Patent:** **** Sep. 30, 2008**

(54) **DIGITAL AUDIO PLAYER**

(75) Inventor: **Masayuki Miyawaki**, Chigasaki (JP)

(73) Assignee: **Clarion Co., Ltd.**, Tokyo (JP)

(**) Term: **14 Years**

(21) Appl. No.: **29/287,589**

(22) Filed: **Aug. 27, 2007**

(30) **Foreign Application Priority Data**

Jul. 13, 2007 (JP) 2007-019210

(51) **LOC (8) Cl.** **14-03**

(52) **U.S. Cl.** **D14/132**

(58) **Field of Classification Search** D14/125-134,
D14/239, 371, 136, 374-377, 440, 450, 448,
D14/336, 342; 312/7.2; 348/836, 838, 180,
348/184, 325, 739; 341/12; 248/917-924,
248/465; 345/104, 133, 156, 168, 87, 173;
720/605, 669, 600, 655; 369/99, 197; 455/344,
455/347; D21/329, 515, 577, 622, 333, 433,
D21/448, 452, 450, 331; D6/477, 479; 273/148 B;
446/484, 175, 356; D10/15, 26
See application file for complete search history.

(56) **References Cited**

U.S. PATENT DOCUMENTS

- 2,816,177 A * 12/1957 Logan 369/26.01
- 6,168,250 B1 * 1/2001 Rogov 312/294
- D454,122 S * 3/2002 Hori et al. D14/132
- D513,609 S * 1/2006 Nishii et al. D14/132
- D515,064 S * 2/2006 Seshita D14/157
- D533,859 S * 12/2006 Nishii et al. D14/132
- D550,637 S * 9/2007 Iwamoto et al. D14/132
- D551,195 S * 9/2007 Uno D14/129
- D564,473 S * 3/2008 Nemoto D14/129
- D564,474 S * 3/2008 Miyawaki D14/129

FOREIGN PATENT DOCUMENTS

JP D1075380 6/2000

(Continued)

OTHER PUBLICATIONS

Pending U.S. Design Patent Application; Inventor: Miyawaki, Masayuki; Filed Aug. 27, 2007.

Pending U.S. Design Patent Application; Inventor: Miyawaki, Masayuki; Filed Aug. 27, 2007.

Pending U.S. Design Patent Application; Inventor: Miyawaki, Masayuki; Filed Aug. 27, 2007.

Primary Examiner—Raphael Barkai

(74) *Attorney, Agent, or Firm*—Oliff & Berridge, PLC

(57) **CLAIM**

The ornamental design for a digital audio player, as shown and described.

DESCRIPTION

FIG. 1 is a perspective view of the digital audio player showing a display in an upright position;

FIG. 2 is a front view thereof;

FIG. 3 is a rear view thereof;

FIG. 4 is a left-side view thereof;

FIG. 5 is a right-side view thereof;

FIG. 6 is a top view thereof;

FIG. 7 is a bottom view thereof;

FIG. 8 is a perspective view of the digital audio player showing the display in a closed position;

FIG. 9 is a front view thereof;

FIG. 10 is a rear view thereof;

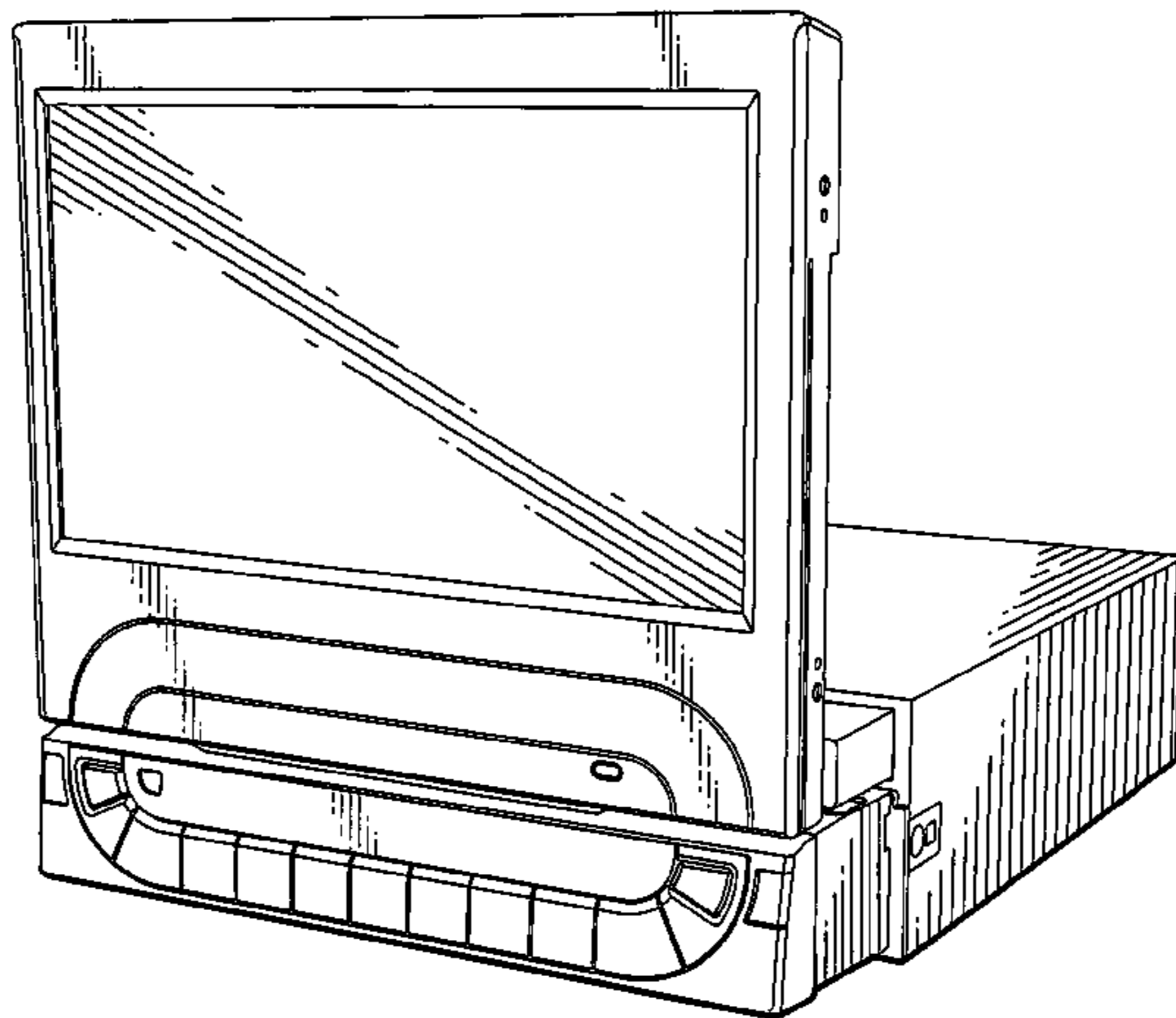
FIG. 11 is a left-side view thereof;

FIG. 12 is a right-side view thereof;

FIG. 13 is a top view thereof; and,

FIG. 14 is a bottom view thereof.

1 Claim, 12 Drawing Sheets



US D577,696 S

Page 2

FOREIGN PATENT DOCUMENTS					
			JP	D1210381	6/2004
			JP	D1237673	4/2005
			JP	D1244146	6/2005
			JP	D1280266	9/2006
			JP	D1281560	9/2006
			JP	2006-034786	12/2006
			JP	D1290599	1/2007
			JP	D1294852	2/2007
			* cited by examiner		
JP	D1099489	2/2001			
JP	D1116273	7/2001			
JP	D1160841	12/2002			
JP	D1171428	4/2003			
JP	D1173565	5/2003			
JP	D1186049	9/2003			
JP	D1186115	9/2003			
JP	D1200871	4/2004			

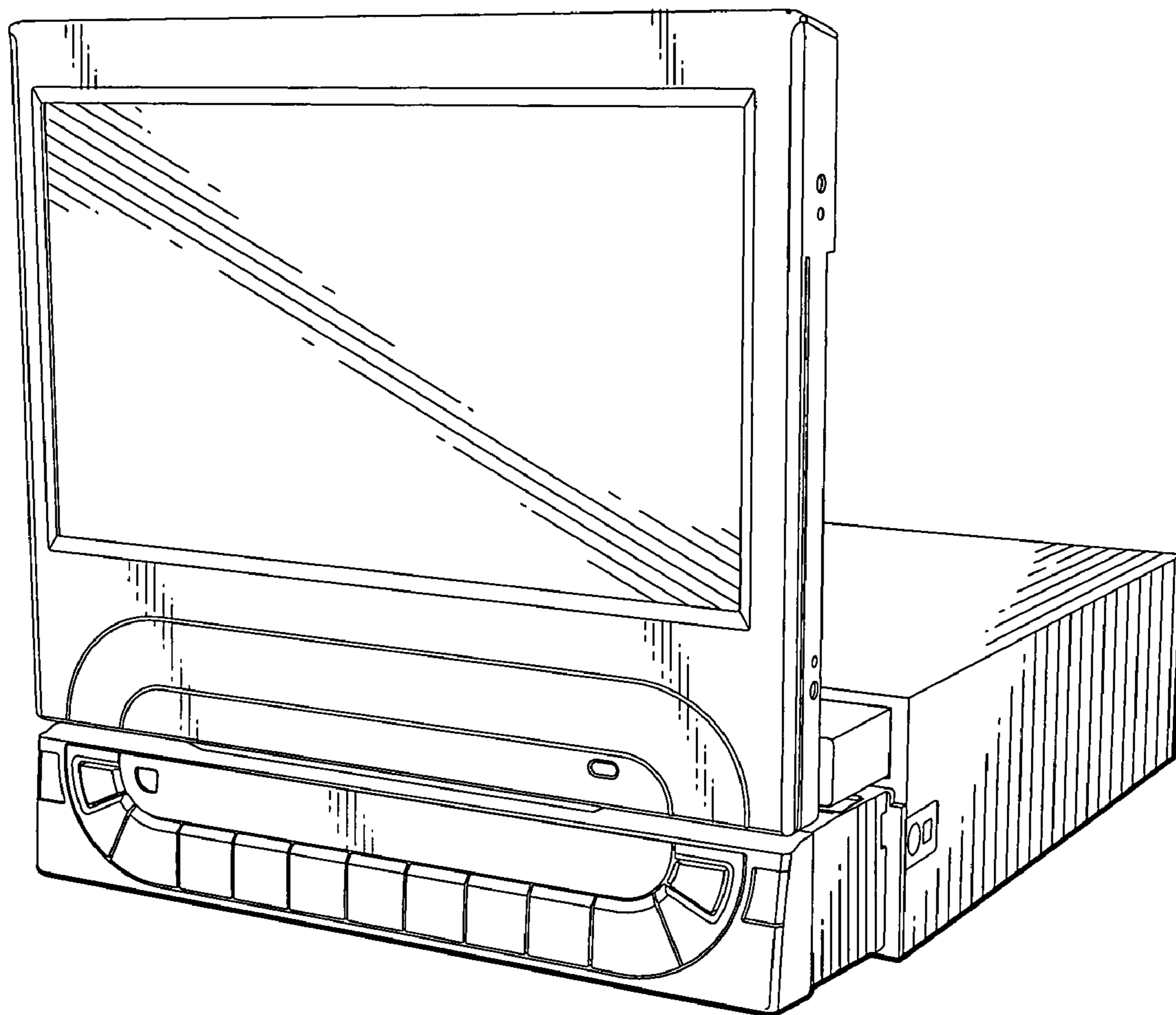


FIG. 1

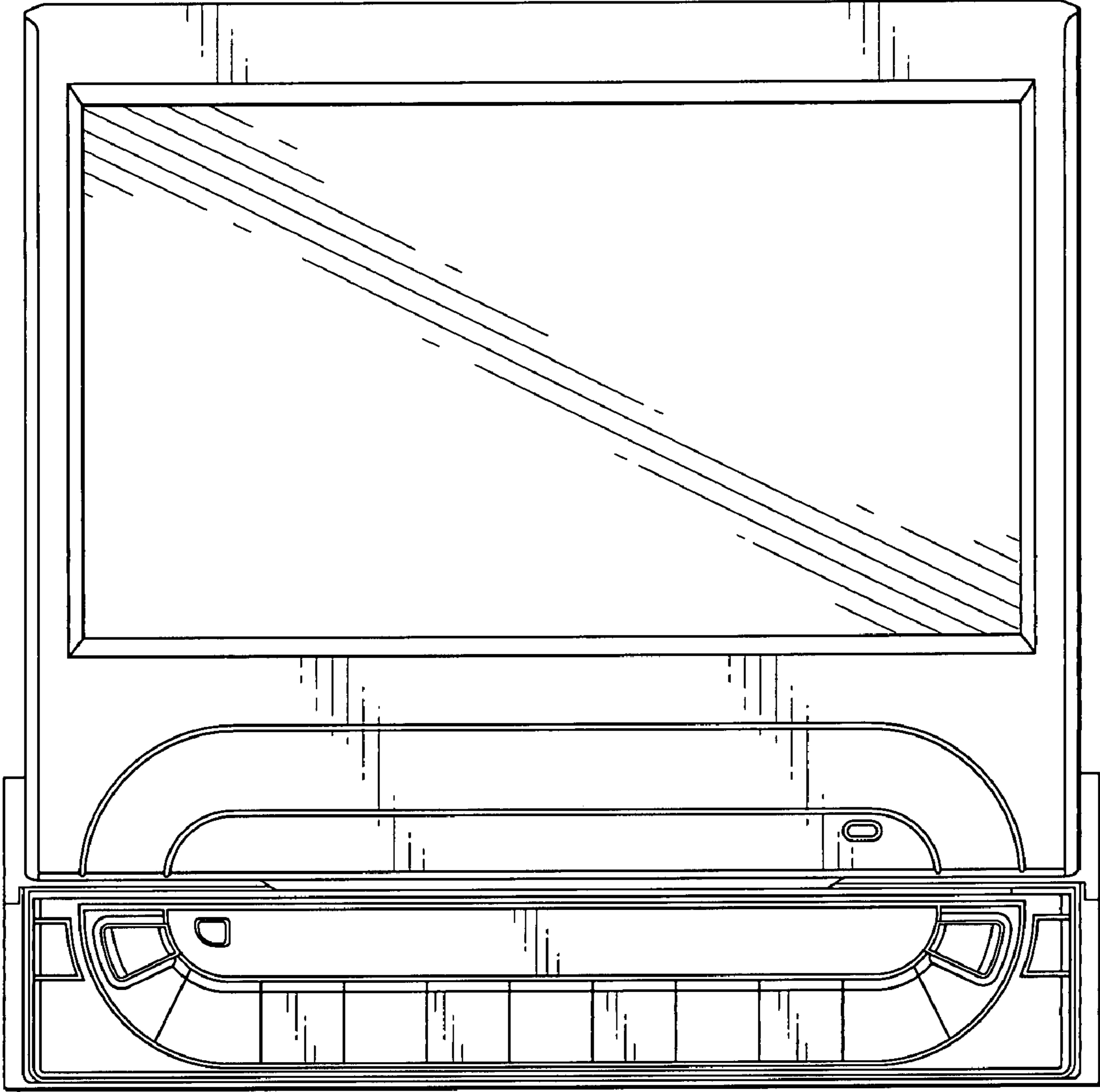


FIG. 2

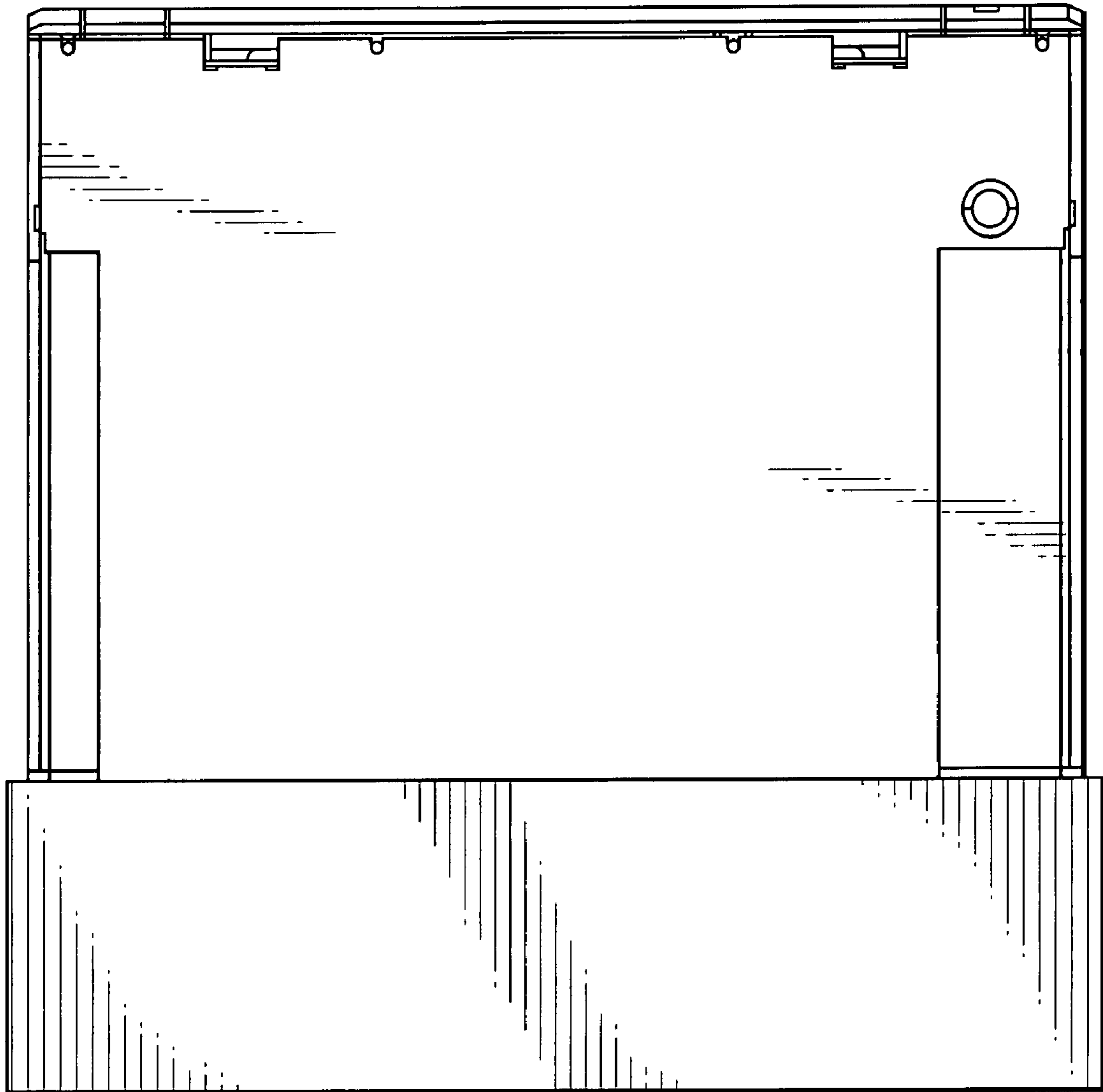


FIG. 3

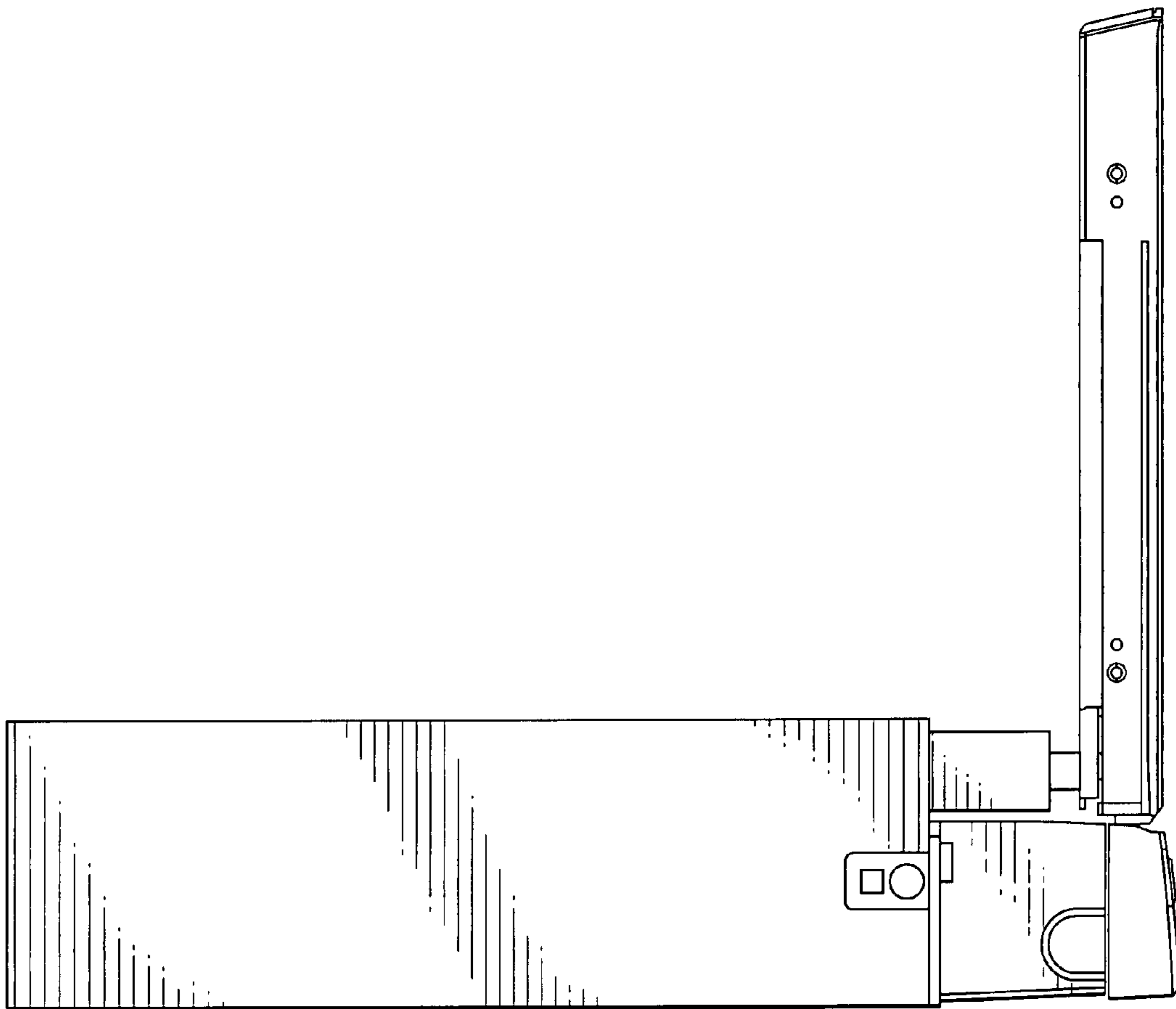


FIG. 4

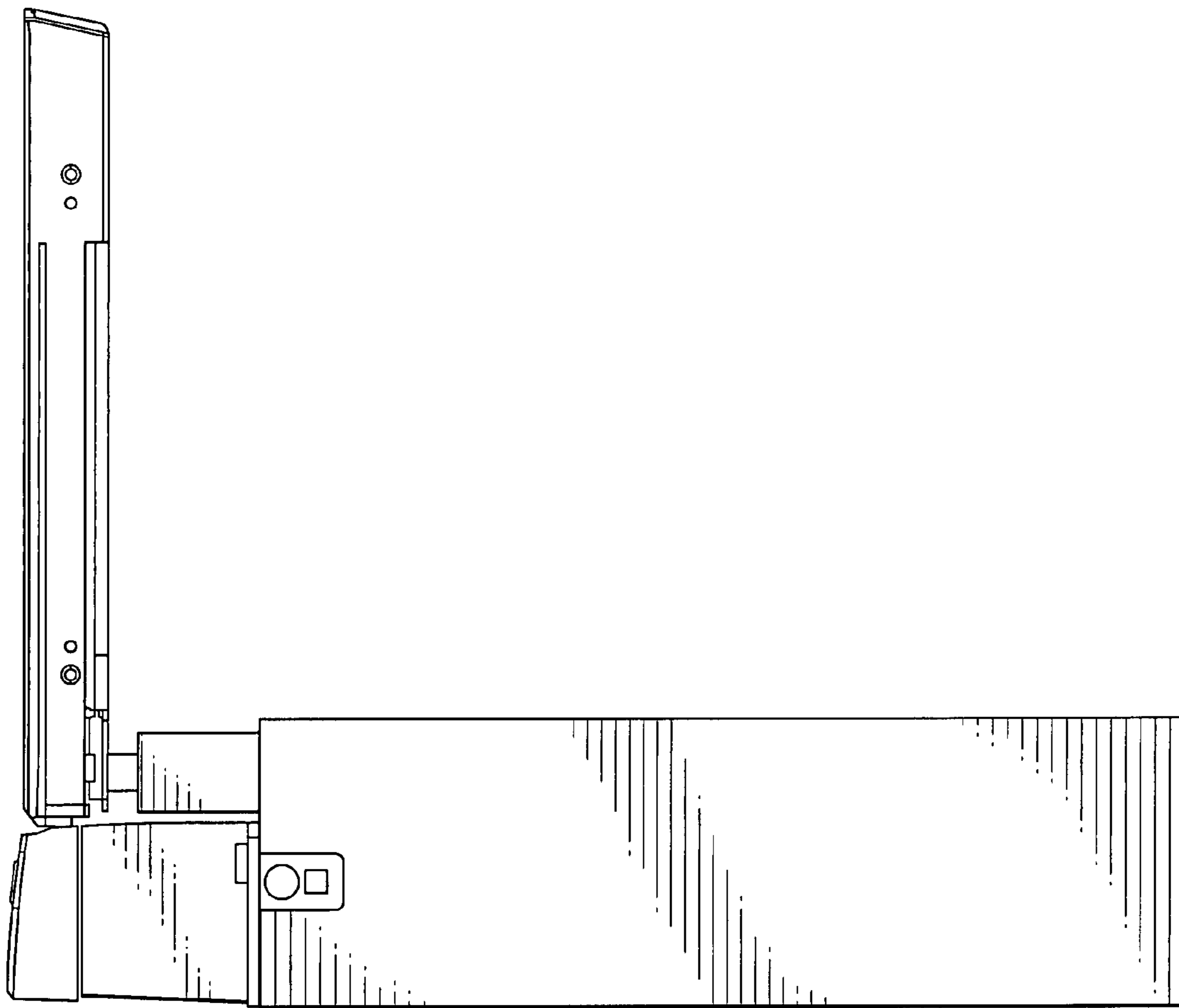


FIG. 5

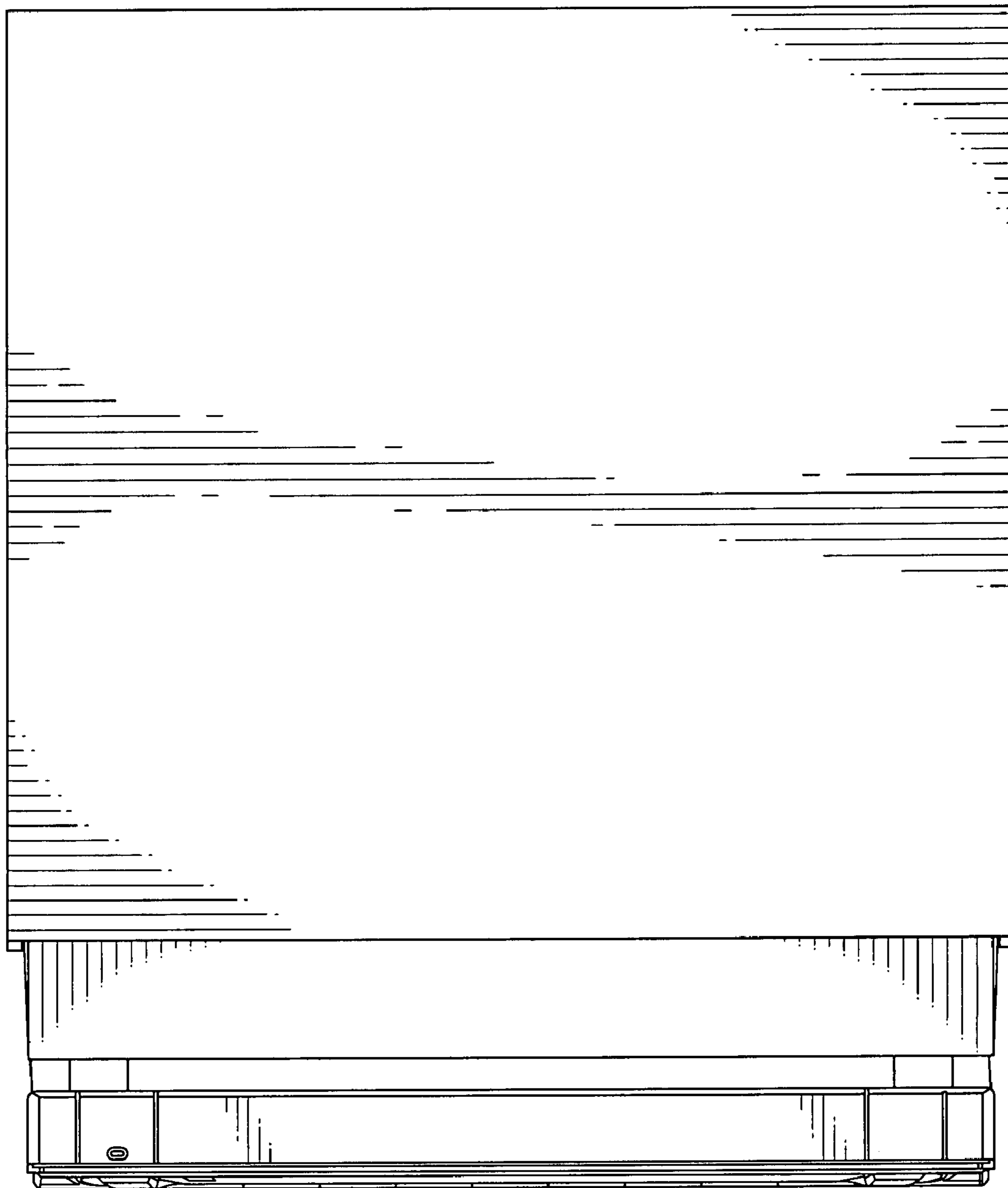


FIG. 6

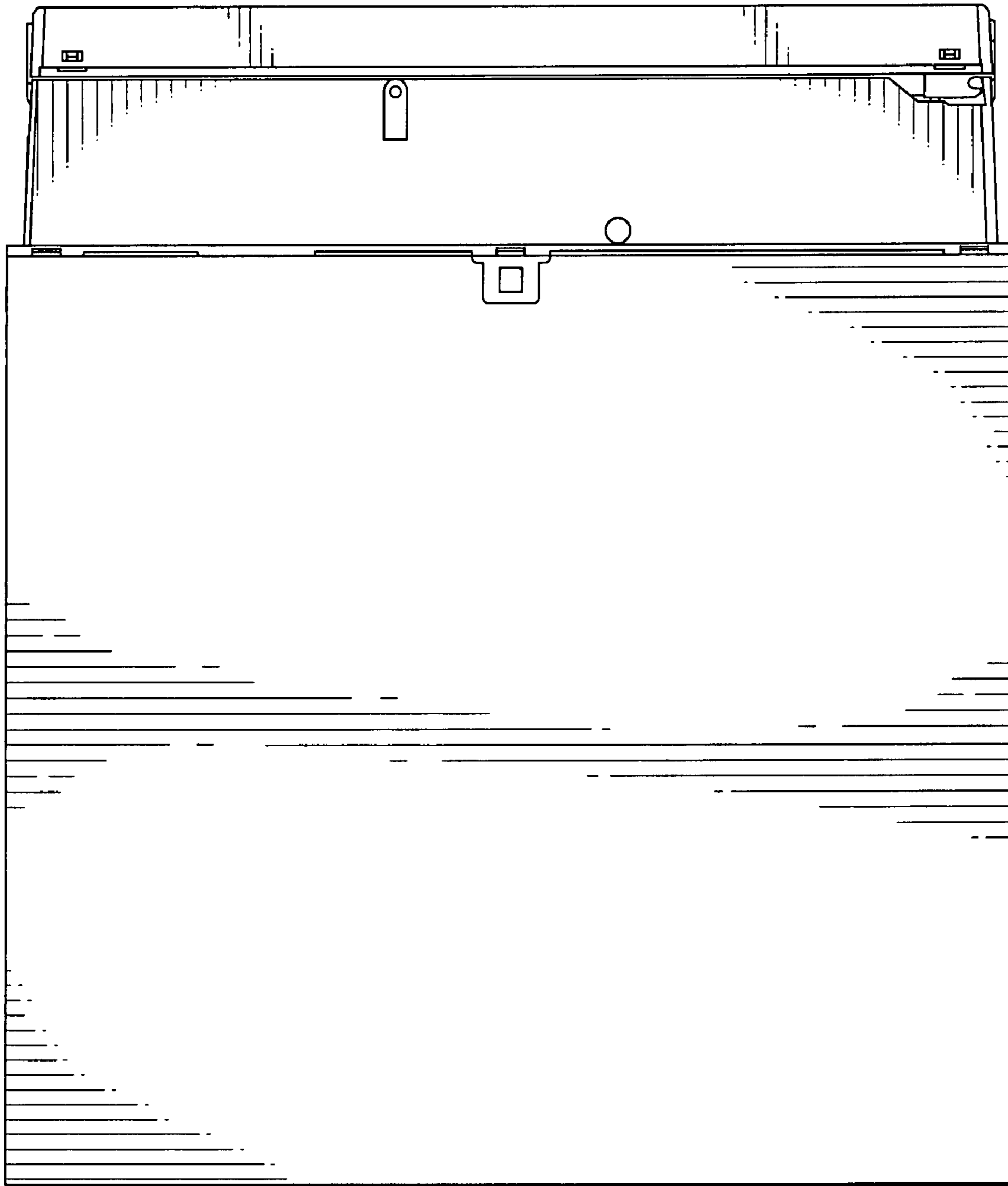


FIG. 7

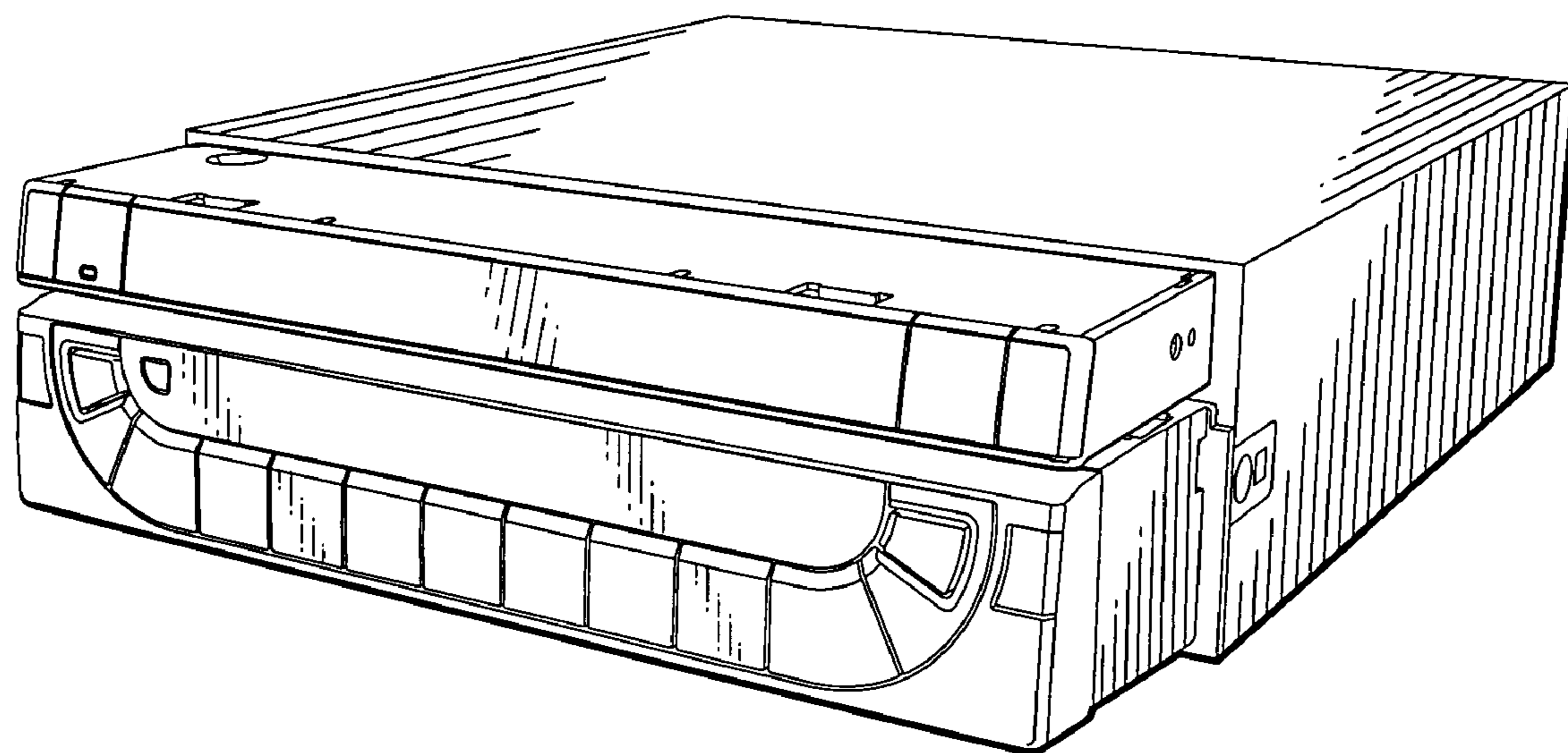


FIG. 8

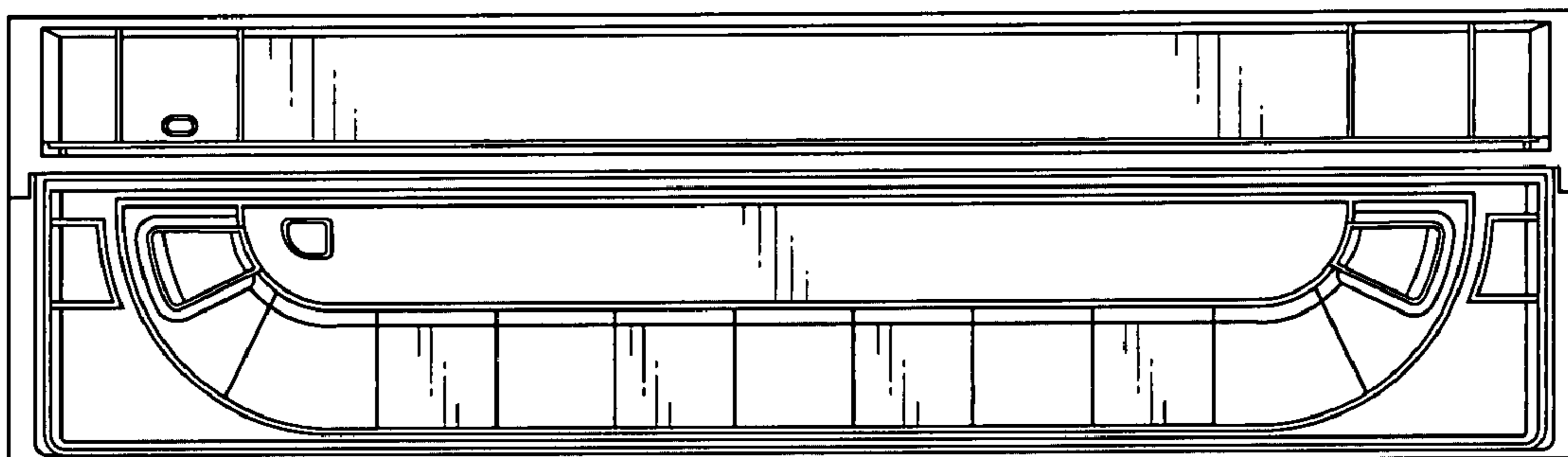


FIG. 9

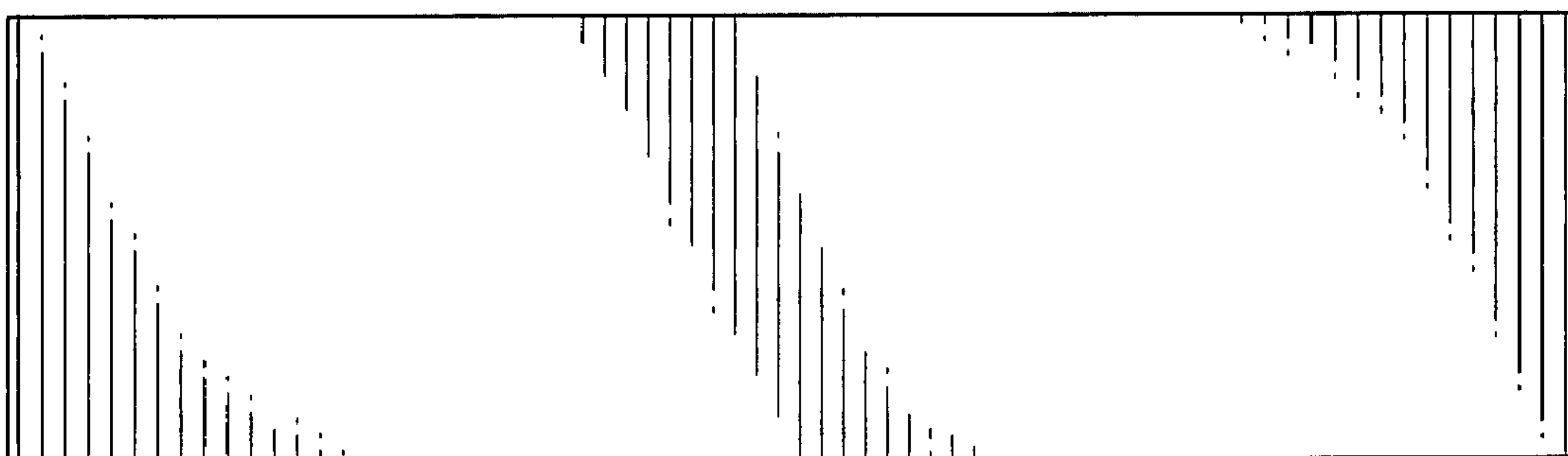


FIG. 10

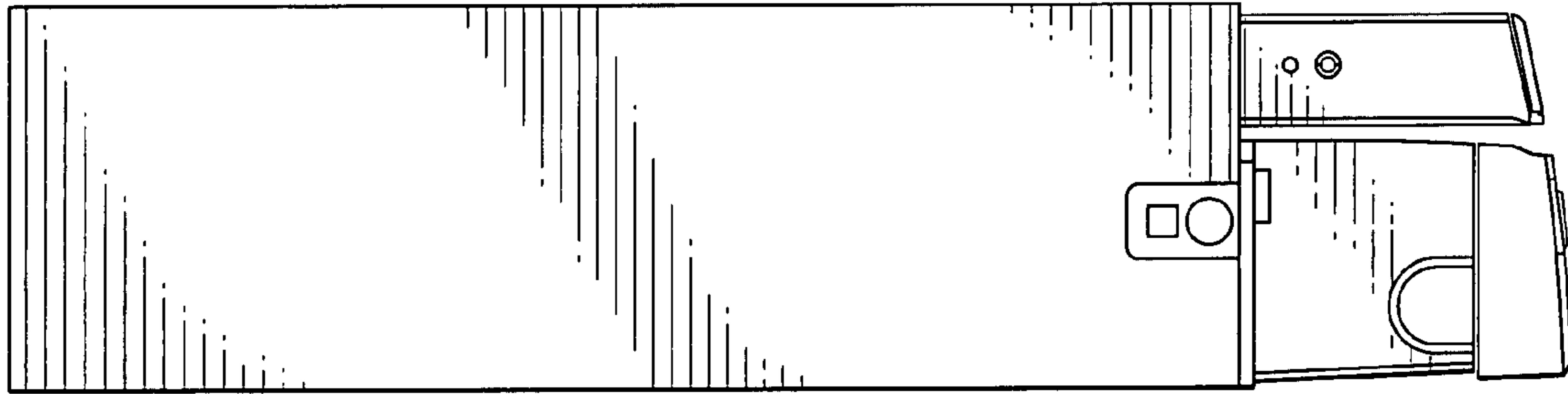


FIG. 11

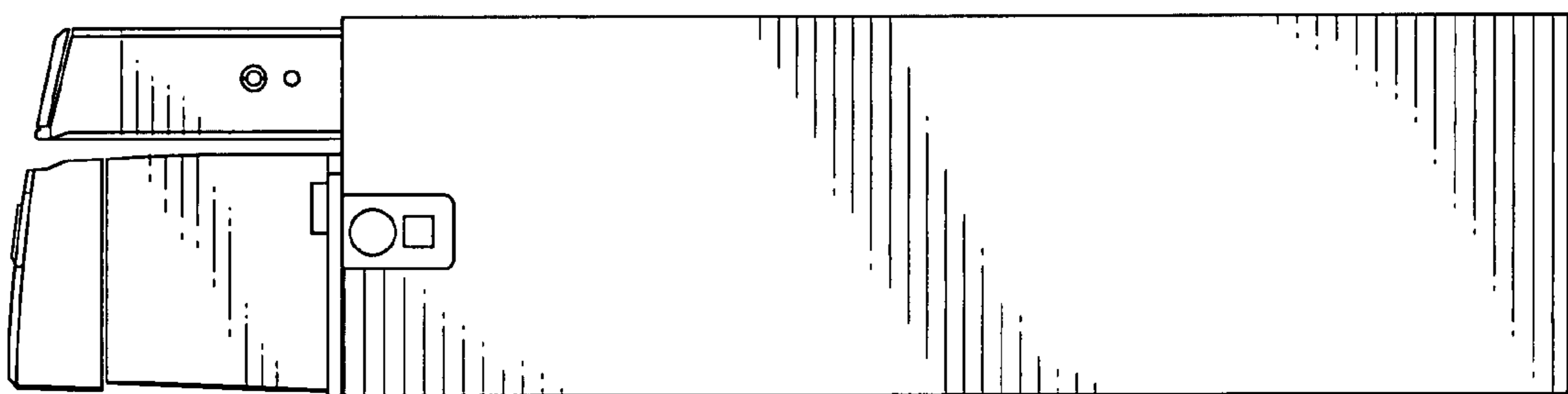


FIG. 12

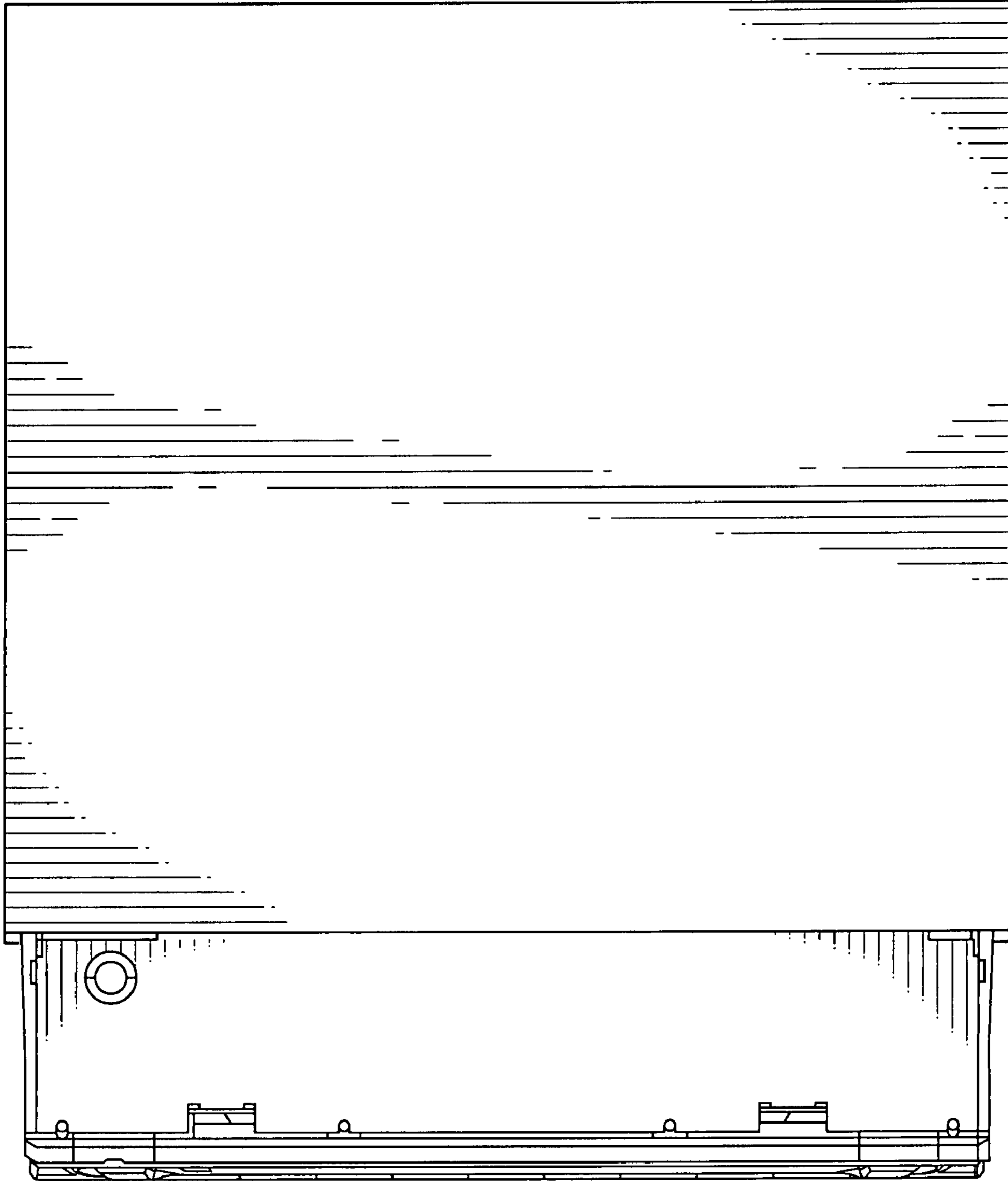


FIG. 13

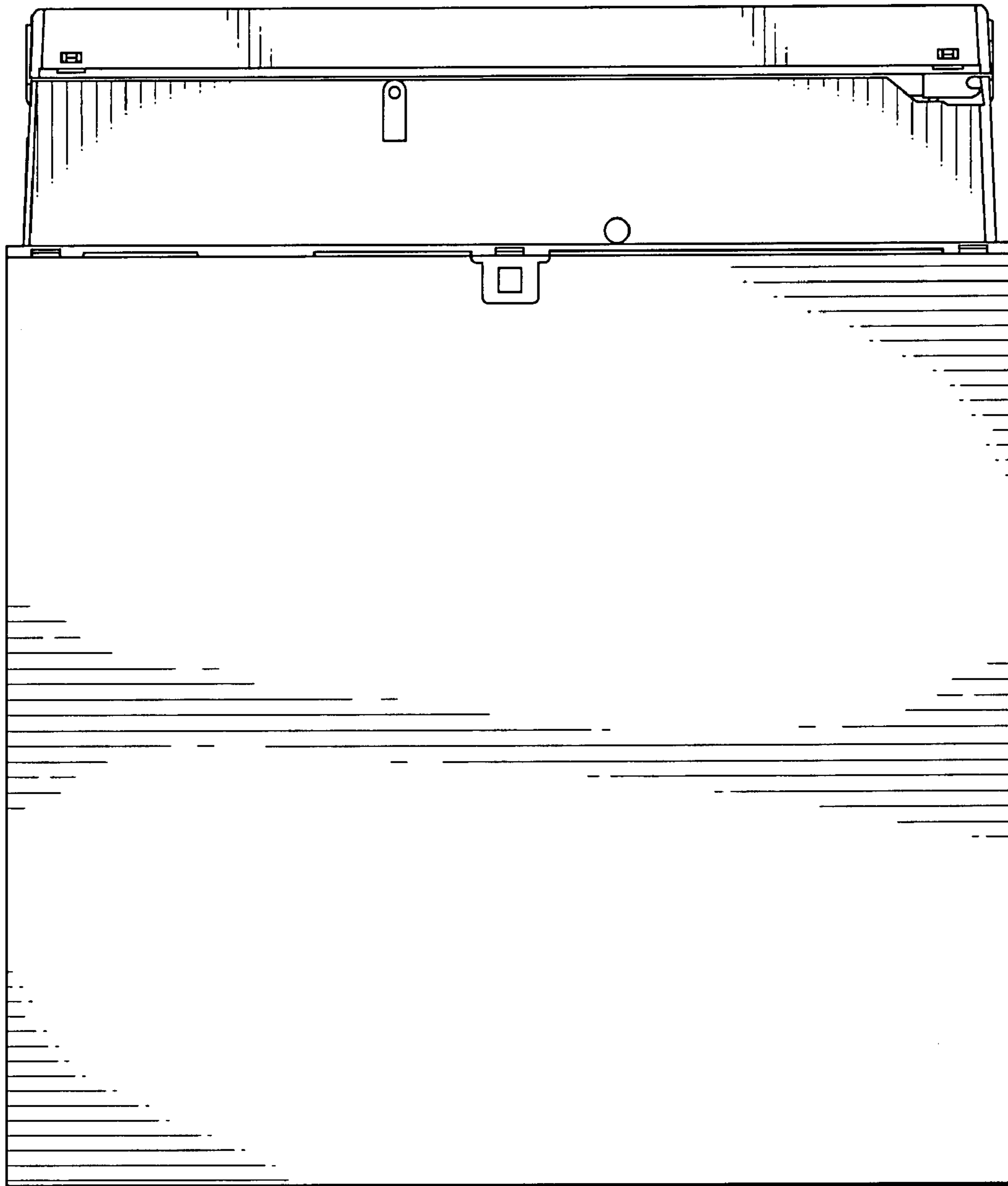


FIG. 14