



US00D577693S

(12) **United States Design Patent**  
**King et al.**

(10) **Patent No.:** **US D577,693 S**

(45) **Date of Patent:** **\*\* Sep. 30, 2008**

(54) **SET-TOP BOX**

D566,668 S \* 4/2008 Whittaker et al. .... D14/125

(75) Inventors: **Stuart James King**, Coventry (GB);  
**Mark Anthony John Fernandes**,  
Leamington Spa (GB); **Paul Benjamin**  
**Wolfson**, London (GB); **Damian James**  
**Rees Mycroft**, Wellesbourne (GB)

FOREIGN PATENT DOCUMENTS

EM 000063961-0001 12/2003  
EM 000063961-0002 12/2003  
EM 000063961-0003 12/2003  
EM 000063961-0004 12/2003

(73) Assignee: **Amino Holdings Limited**, Swavesey,  
Cambridge (GB)

OTHER PUBLICATIONS

AmiNET103, Miniature IP Set-Top Box, Product Information Sheet,  
2005.  
AmiNET110, MPEG-2 IP Set-Top Box, Product Information Sheet,  
2007.  
AmiNET125, Multi-Codec, IP Set-Top Box, Product Information  
Sheet, 2007.

(\*\*) Term: **14 Years**

\* cited by examiner

(21) Appl. No.: **29/298,965**

(22) Filed: **Dec. 17, 2007**

*Primary Examiner*—Raphael Barkai

*Assistant Examiner*—Randall H Gholson

(51) **LOC (8) Cl.** ..... **14-03**

(52) **U.S. Cl.** ..... **D14/125**

(58) **Field of Classification Search** ..... D14/125–134,  
D14/239, 371, 136, 374–377; 312/7.2; 348/836,  
348/838, 180, 184, 325, 739; 341/12; 248/917–924,  
248/465, 123.11; 345/104, 133, 156, 168,  
345/87, 173, 169; 349/1, 2, 11, 62; 720/605,  
720/669, 600, 655, 99, 197; 455/344–347;  
369/99, 197

(74) *Attorney, Agent, or Firm*—Knobbe, Martens, Olson, &  
Bear LLP

See application file for complete search history.

(57) **CLAIM**

The ornamental design for a set-top box, as shown and  
described herein.

(56) **References Cited**

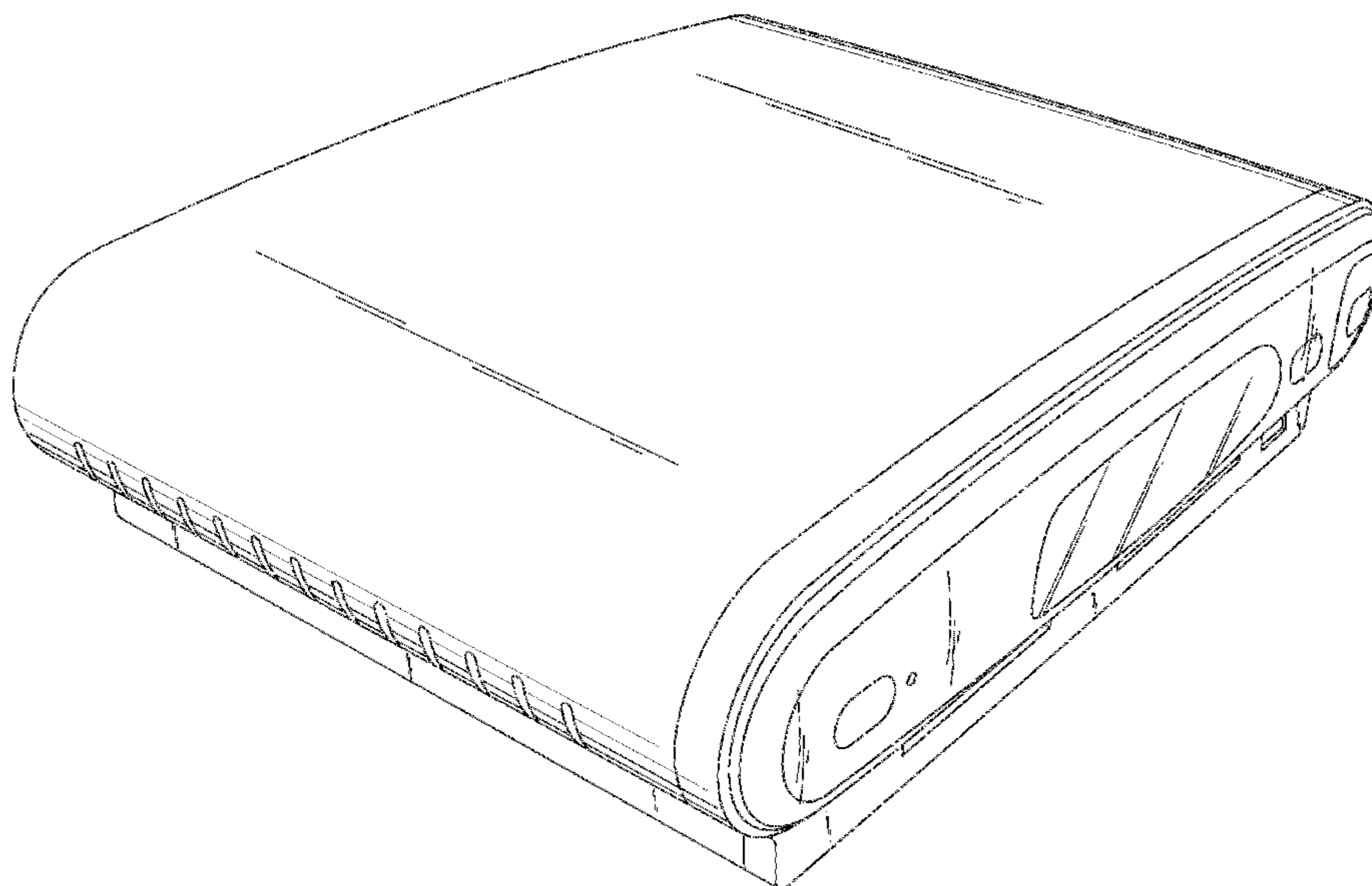
U.S. PATENT DOCUMENTS

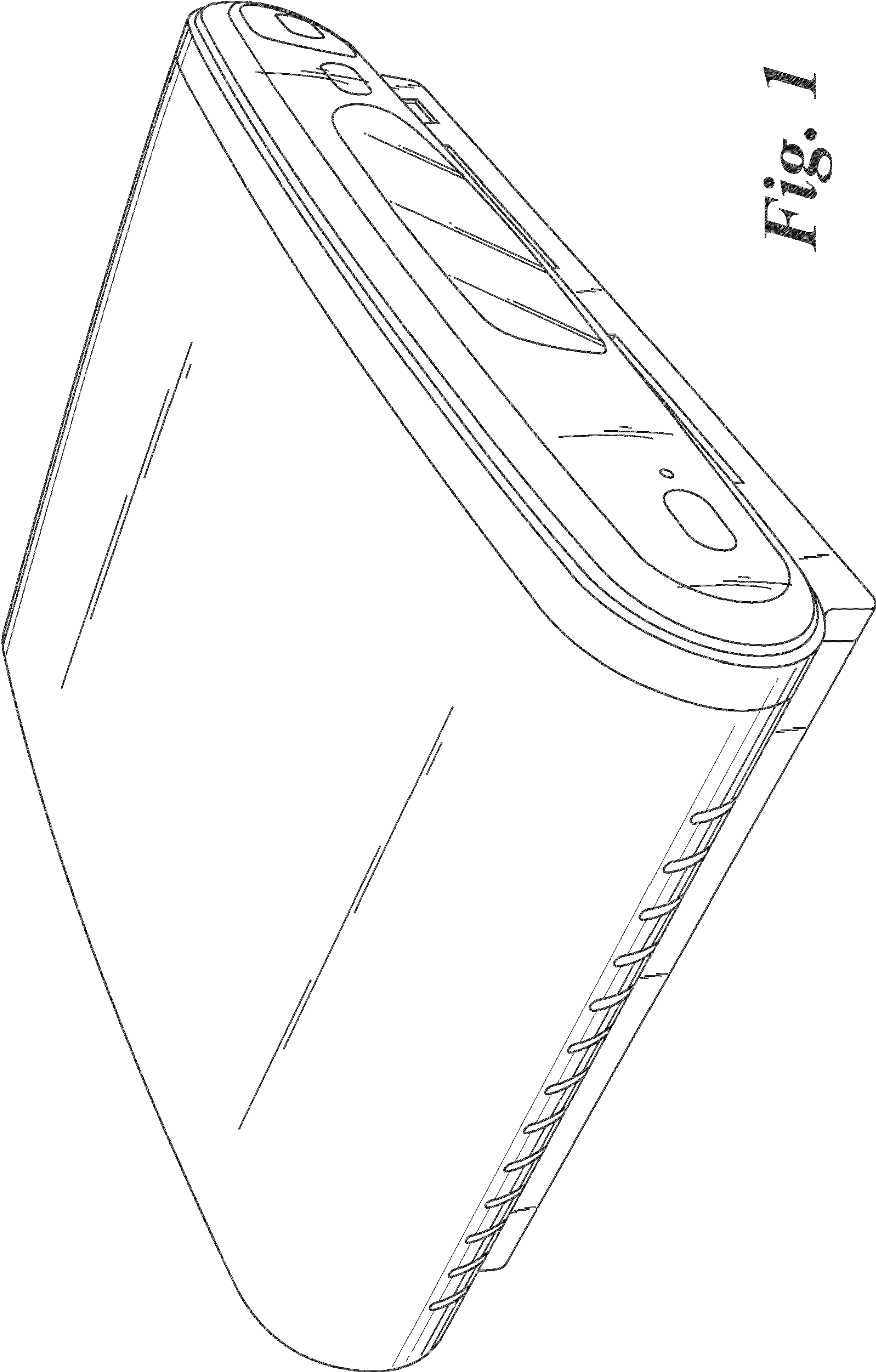
D448,353 S \* 9/2001 Chang ..... D14/125  
D470,464 S \* 2/2003 Loiske et al. .... D14/125  
D511,151 S 11/2005 Wells  
D528,080 S 9/2006 Wells  
D544,853 S \* 6/2007 Harris ..... D14/156  
D556,705 S \* 12/2007 Reynolds et al. .... D14/125  
D566,065 S \* 4/2008 Whittaker et al. .... D14/125

**DESCRIPTION**

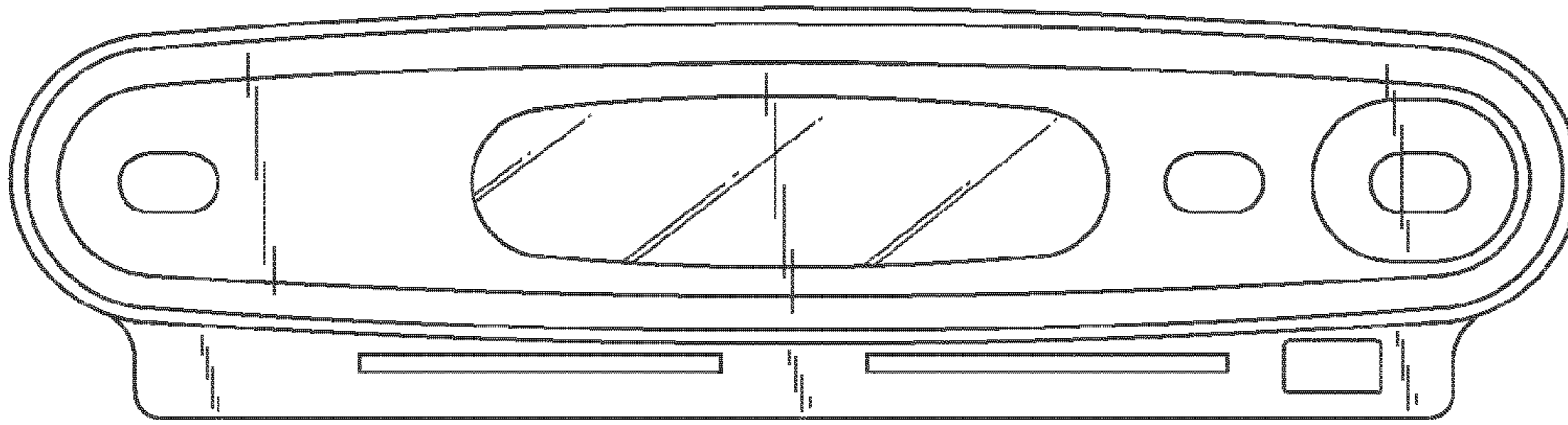
FIG. 1 is a perspective view of a set-top box;  
FIG. 2 is a front view of a set-top box;  
FIG. 3 is a rear view of a set-top box;  
FIG. 4 is a left side view of a set-top box;  
FIG. 5 is a right side view of a set-top box;  
FIG. 6 is a top view of a set-top box; and,  
FIG. 7 is a bottom view of a set-top box.

**1 Claim, 5 Drawing Sheets**

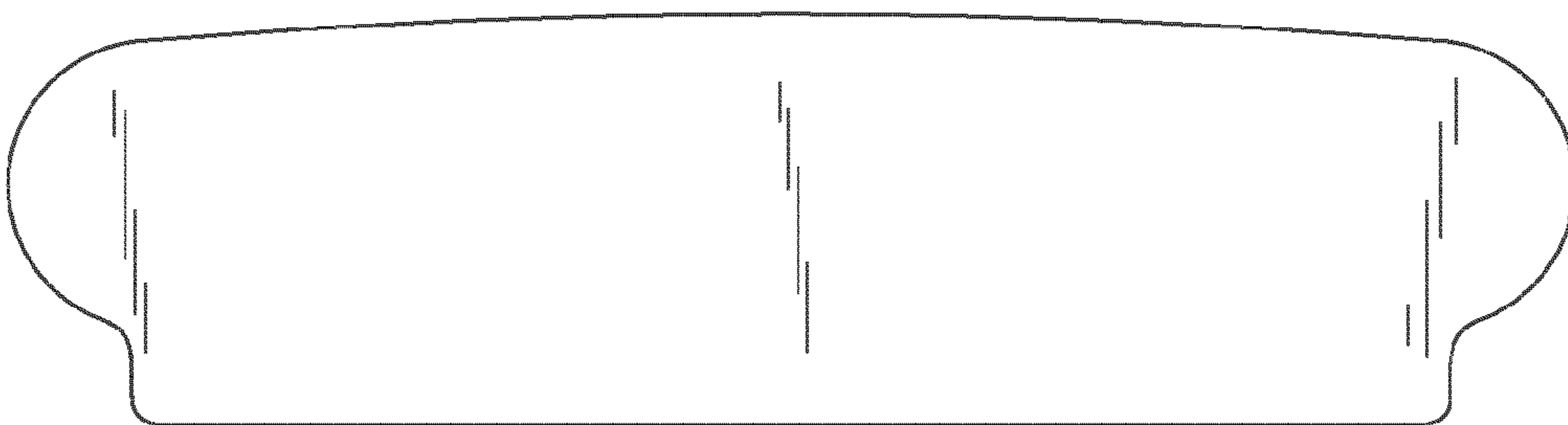




*Fig. 1*

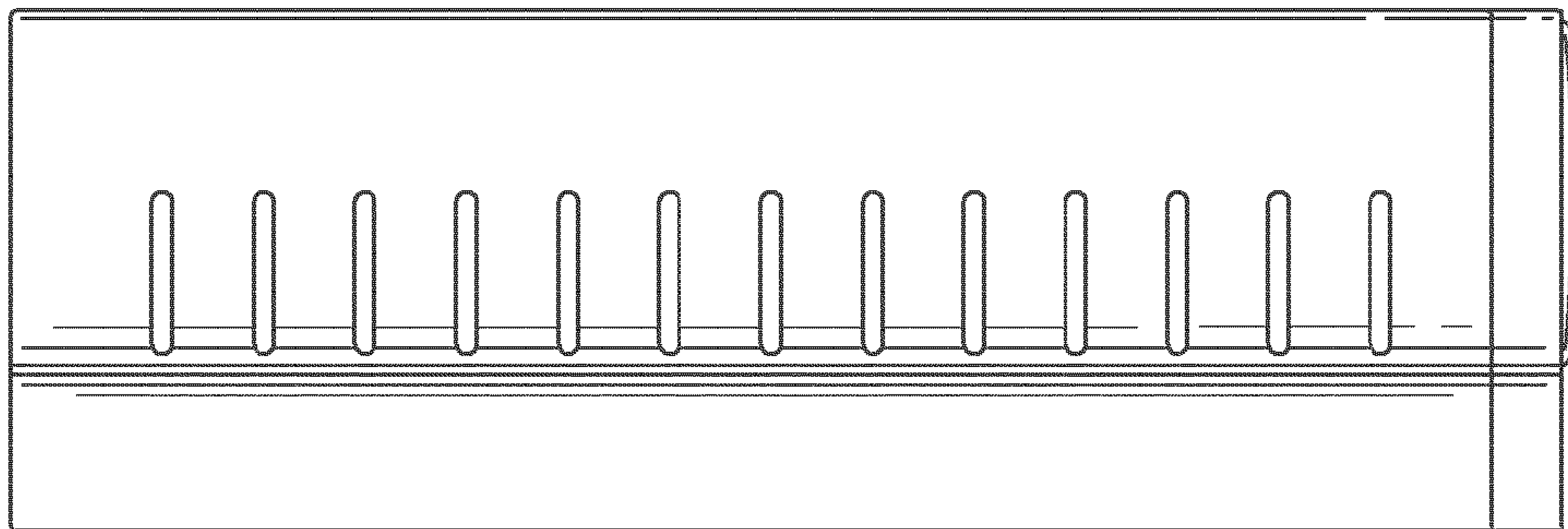


*Fig. 2*

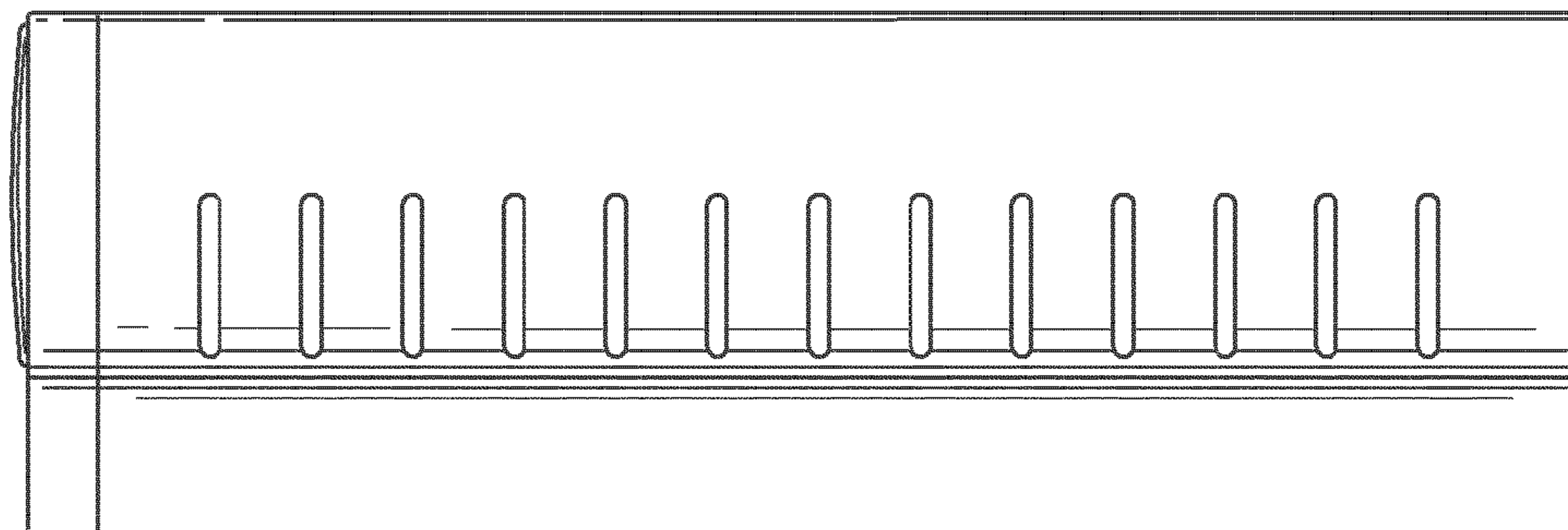


*Fig. 3*

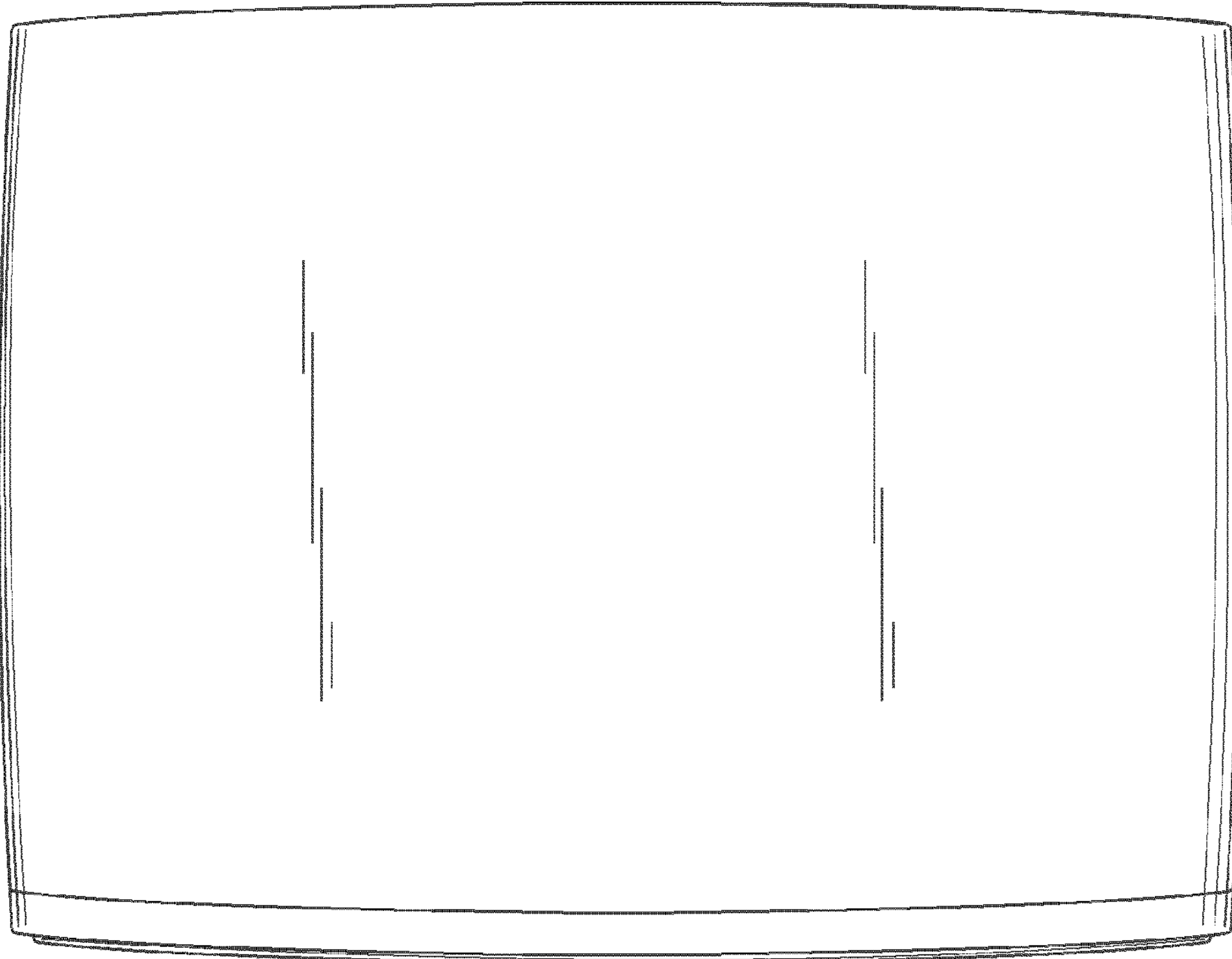




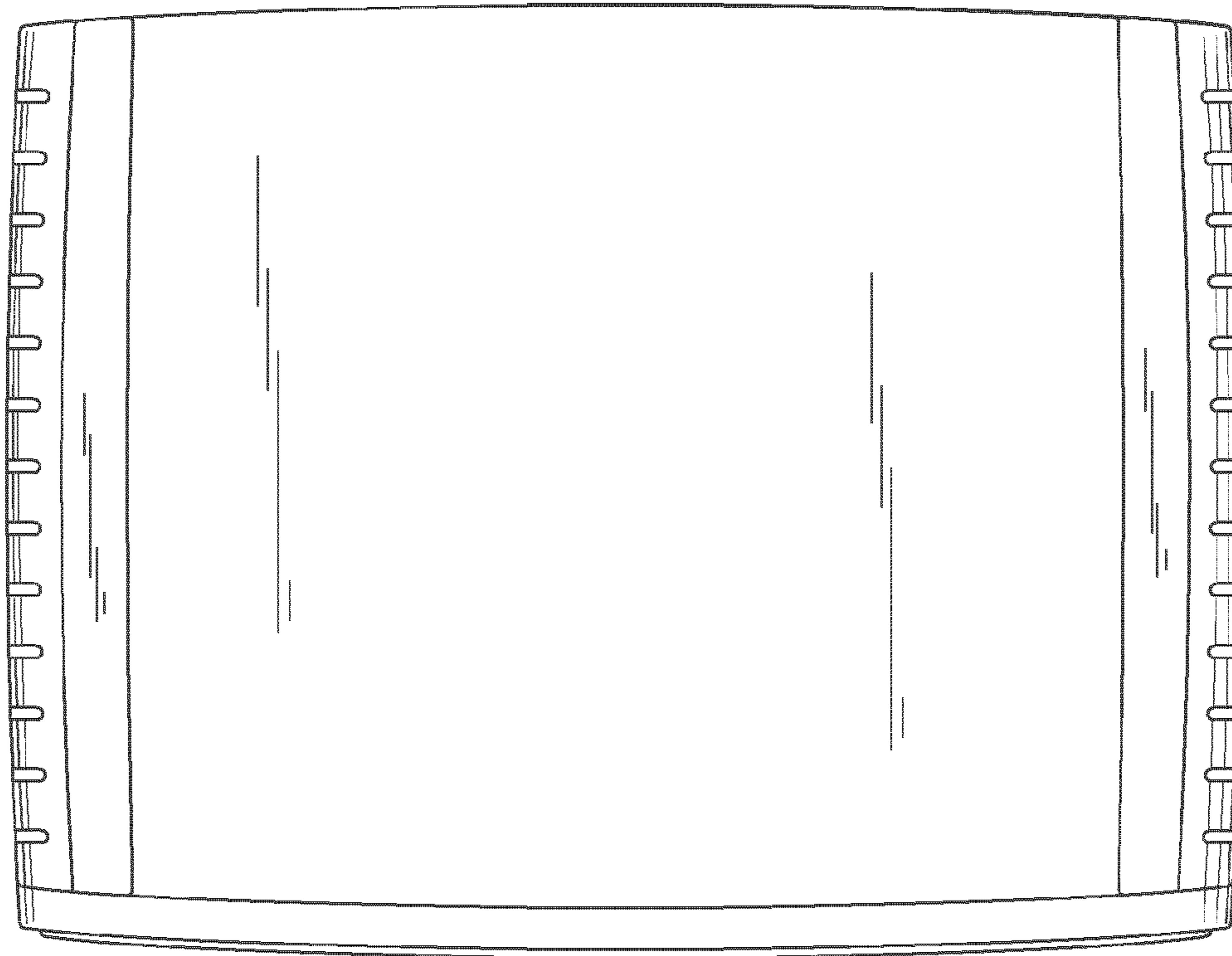
*Fig. 4*



*Fig. 5*



*Fig. 6*



*Fig. 7*