



US00D577689S

(12) **United States Design Patent**
Yasuoka et al.

(10) **Patent No.:** **US D577,689 S**

(45) **Date of Patent:** **** Sep. 30, 2008**

(54) **LIGHT EMITTING DIODE**

(75) Inventors: **Tsuyoshi Yasuoka**, Anan (JP); **Keiji Funamoto**, Tokushima (JP)

(73) Assignee: **Nichia Corporation**, Anan-shi (JP)

(**) Term: **14 Years**

(21) Appl. No.: **29/273,596**

(22) Filed: **Mar. 9, 2007**

(30) **Foreign Application Priority Data**

Sep. 15, 2006	(JP)	2006-024861
Sep. 15, 2006	(JP)	2006-024884
Sep. 15, 2006	(JP)	2006-024885
Sep. 15, 2006	(JP)	2006-024886
Sep. 15, 2006	(JP)	2006-024887
Sep. 15, 2006	(JP)	2006-024889
Sep. 15, 2006	(JP)	2006-024890
Sep. 15, 2006	(JP)	2006-024891

(51) **LOC (8) Cl.** **13-03**

(52) **U.S. Cl.** **D13/180**

(58) **Field of Classification Search** D13/180;
D26/2; 257/79, 80, 81, 88, 89, 95, 98, 99,
257/100; 313/483, 498, 500; 362/555, 800
See application file for complete search history.

(56) **References Cited**

U.S. PATENT DOCUMENTS

D489,692 S *	5/2004	Ishida	D13/180
D495,668 S *	9/2004	Kim et al.	D13/180
D500,292 S *	12/2004	Ishida	D13/180
D500,294 S *	12/2004	Ishida	D13/180
6,953,952 B2 *	10/2005	Asakawa	257/103
D512,693 S *	12/2005	Kim et al.	D13/180
D528,998 S *	9/2006	Song et al.	D13/180
2006/0023451 A1 *	2/2006	Han et al.	362/249
2006/0284203 A1 *	12/2006	Han et al.	257/98
2007/0029564 A1 *	2/2007	Han et al.	257/98

* cited by examiner

Primary Examiner—Selina Sikder

(74) *Attorney, Agent, or Firm*—Global IP Counselors, LLP

(57) **CLAIM**

The ornamental design for a light emitting diode, as shown and described.

DESCRIPTION

FIG. 1 is a front side perspective view of a light emitting diode in accordance with a first embodiment of our new design;

FIG. 2 is a rear side perspective view of a light emitting diode in accordance with the first embodiment of our new design;

FIG. 3 is a top plan view of the light emitting diode in accordance with the first embodiment of our new design;

FIG. 4 is a bottom plan view of the light emitting diode in accordance with the first embodiment of our new design;

FIG. 5 is a front elevational view of the light emitting diode in accordance with the first embodiment of our new design;

FIG. 6 is a rear elevational view of the light emitting diode in accordance with the first embodiment of our new design;

FIG. 7 is a right side end elevational view of the light emitting diode in accordance with the first embodiment of our new design;

FIG. 8 is a left side end elevational view of the light emitting diode in accordance with the first embodiment of our new design;

FIG. 9 is a top plan view of the light emitting diode in accordance with the first embodiment of our new design with environment shown in broken lines;

FIG. 10 is a cross sectional view of the light emitting diode in accordance with the first embodiment of our new design as seen along section line 10—10 of FIG. 9;

FIG. 11 is a front side perspective view of a light emitting diode in accordance with a second embodiment of our new design;

FIG. 12 is a rear side perspective view of a light emitting diode in accordance with the second embodiment of our new design;

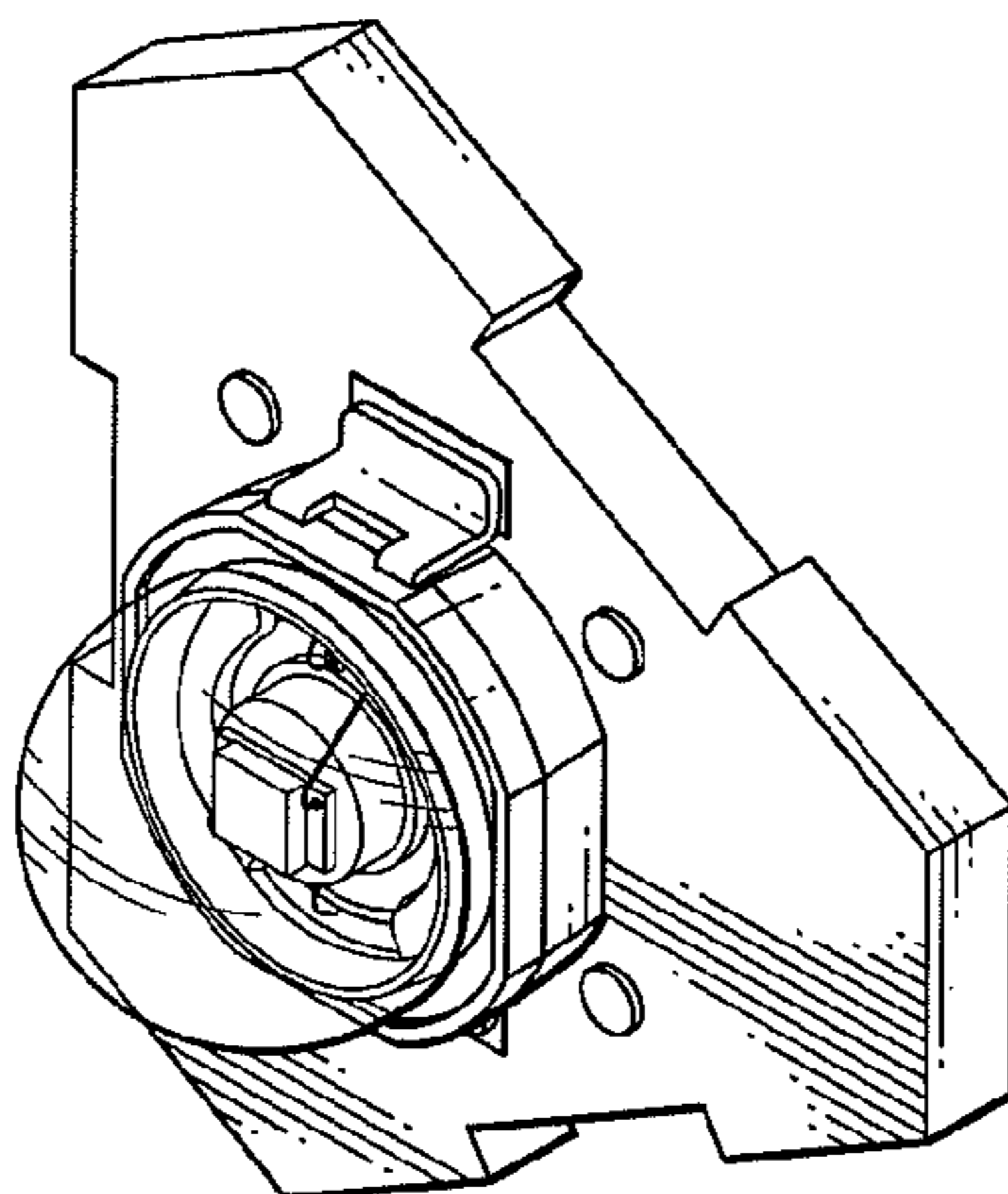


FIG. 13 is a top plan view of the light emitting diode in accordance with the second embodiment of our new design;

FIG. 14 is a bottom plan view of the light emitting diode in accordance with the second embodiment of our new design;

FIG. 15 is a front elevational view of the light emitting diode in accordance with the second embodiment of our new design;

FIG. 16 is a rear elevational view of the light emitting diode in accordance with the second embodiment of our new design;

FIG. 17 is a right side end elevational view of the light emitting diode in accordance with the second embodiment of our new design;

FIG. 18 is a left side end elevational view of the light emitting diode in accordance with the second embodiment of our new design;

FIG. 19 is a top plan view of the light emitting diode in accordance with the second embodiment of our new design with environment shown in broken lines; and,

FIG. 20 is a cross sectional view of the light emitting diode in accordance with the second embodiment of our new design as seen along section line 20—20 of FIG. 19.

The broken line showing of environment (the remaining structure of the light emitting diode) in the FIGS. 9 and 19 is for illustrative purposes only and forms no part of the claimed design.

The opaque line shading illustrates a translucent portion or a transparent portion of the light emitting diode. More specifically, in the first and second embodiments, the coating material that covers the light emitting diode chip is preferably translucent, and the lens is preferably transparent.

The cross sectional views illustrated in FIGS. 10 and 20 are presented solely for the purpose of clarifying the shape of exterior surface of the claimed design.

1 Claim, 6 Drawing Sheets

FIG. 1

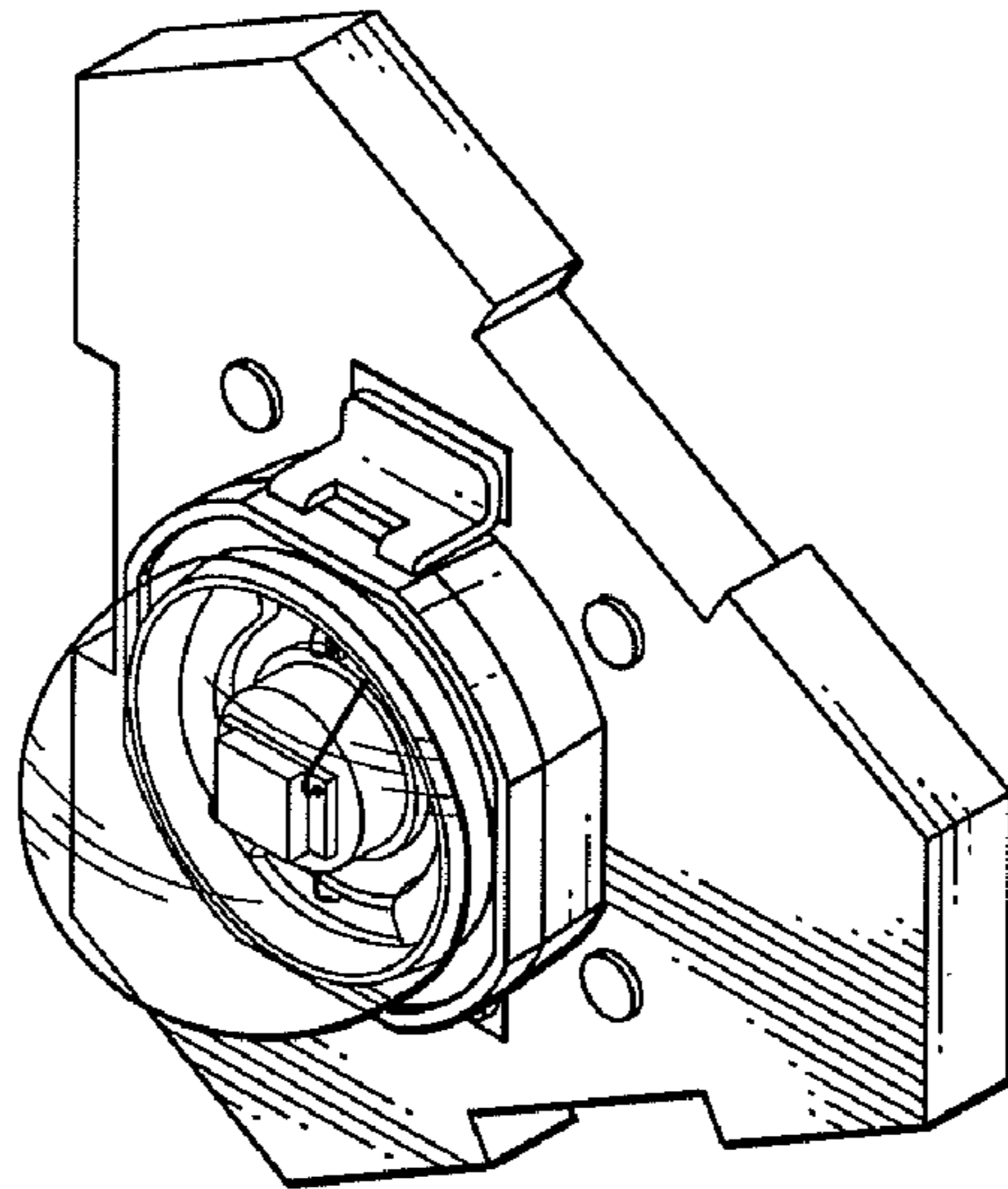


FIG. 2

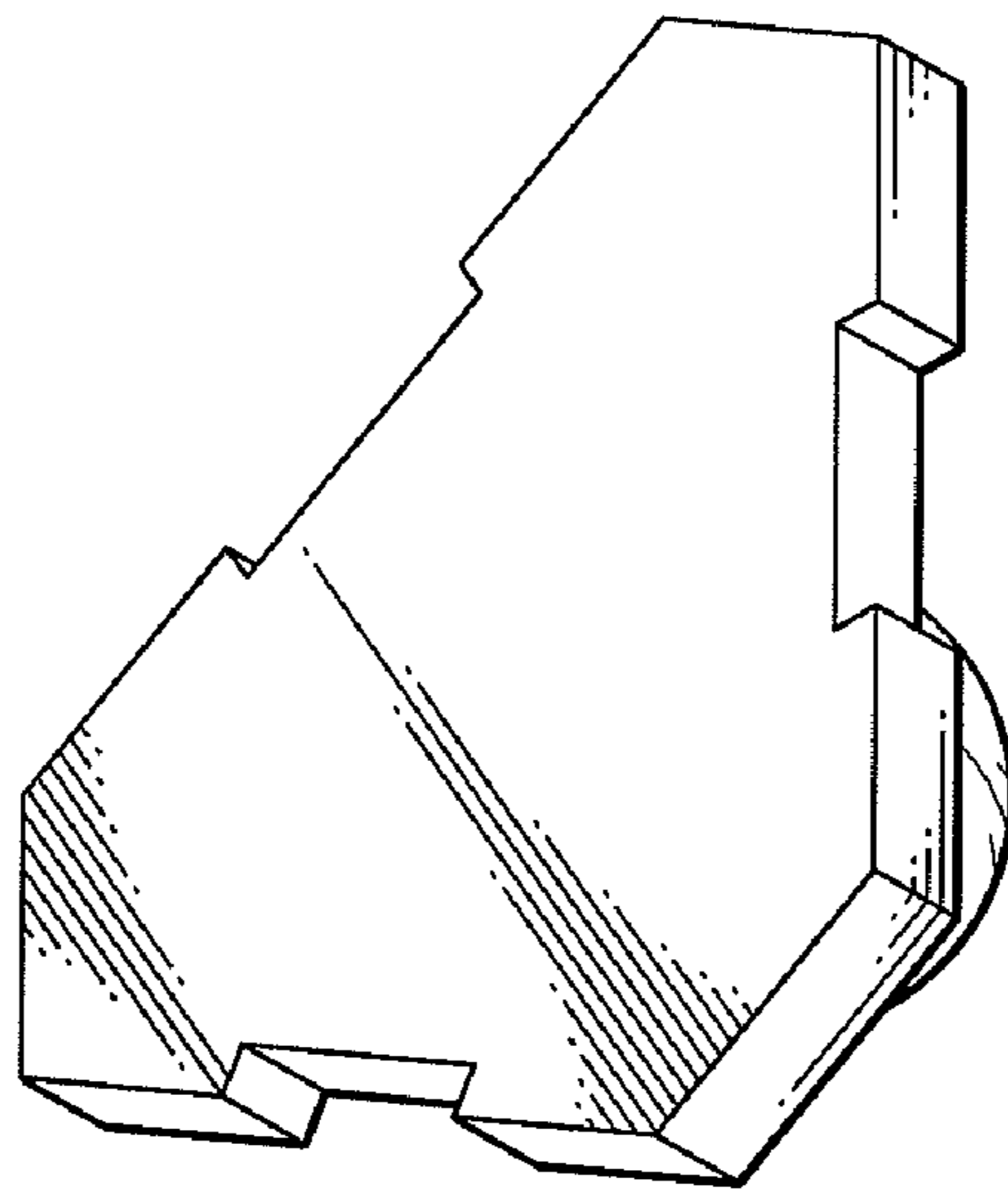


FIG. 3

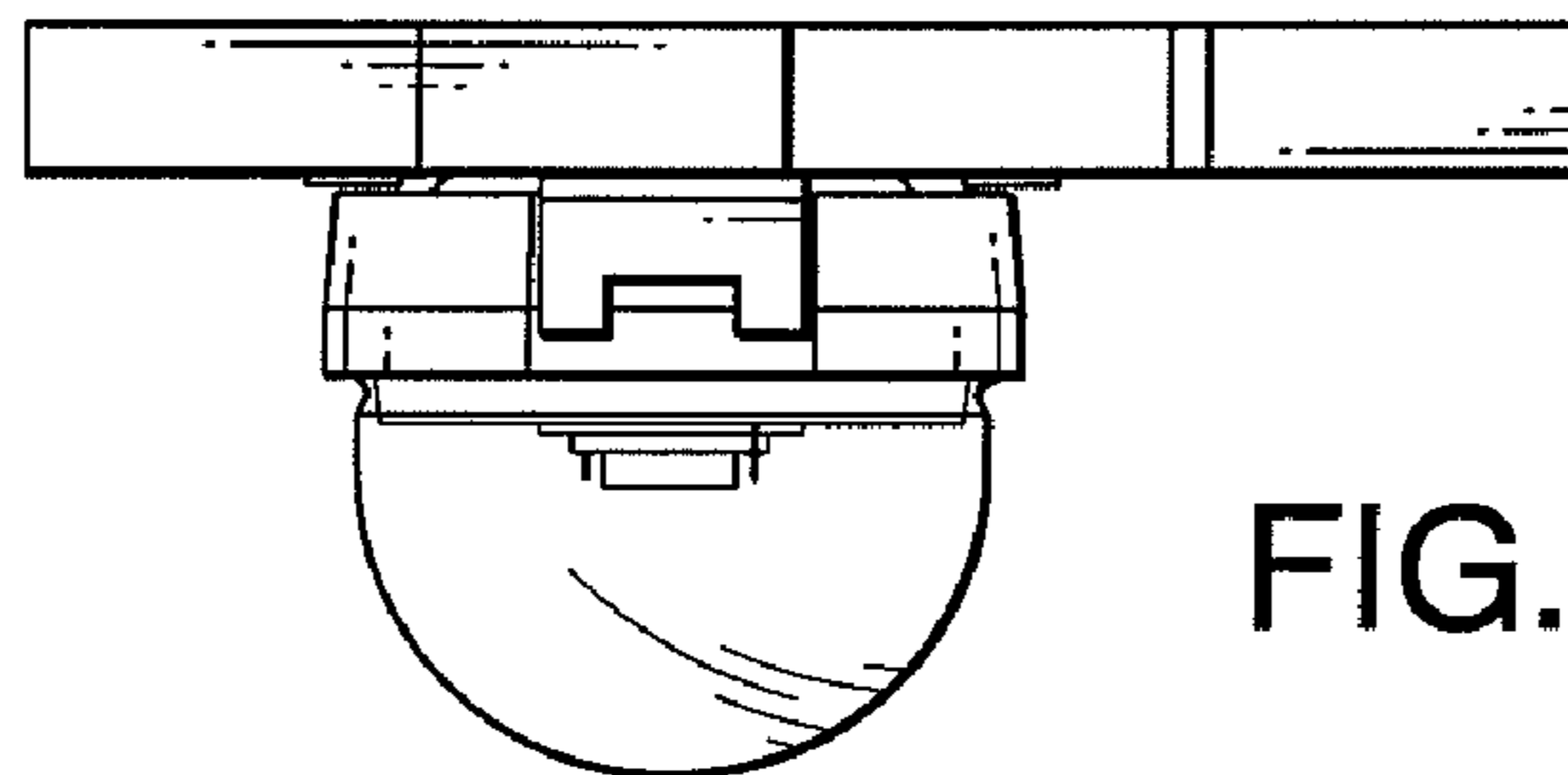


FIG. 4

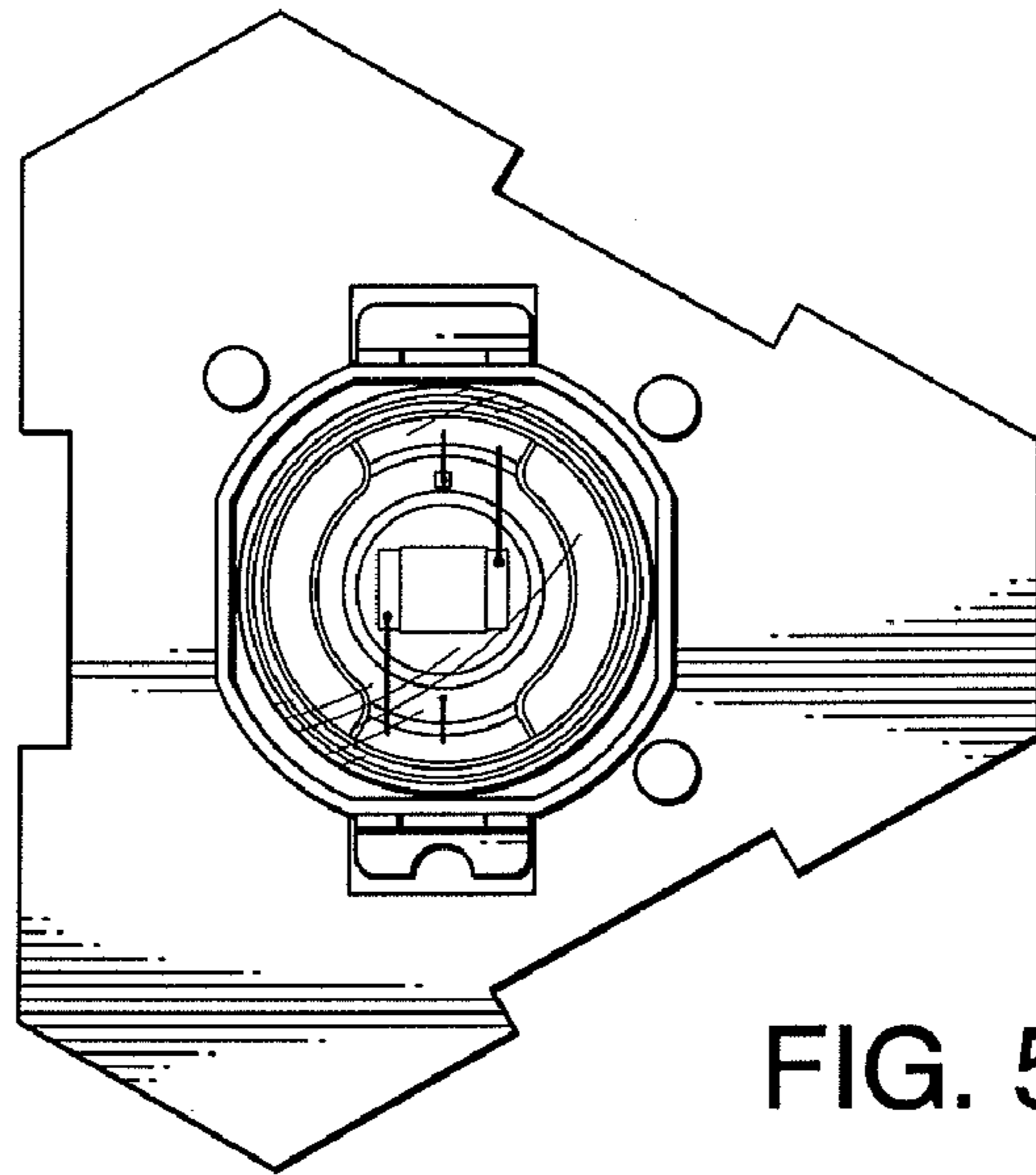
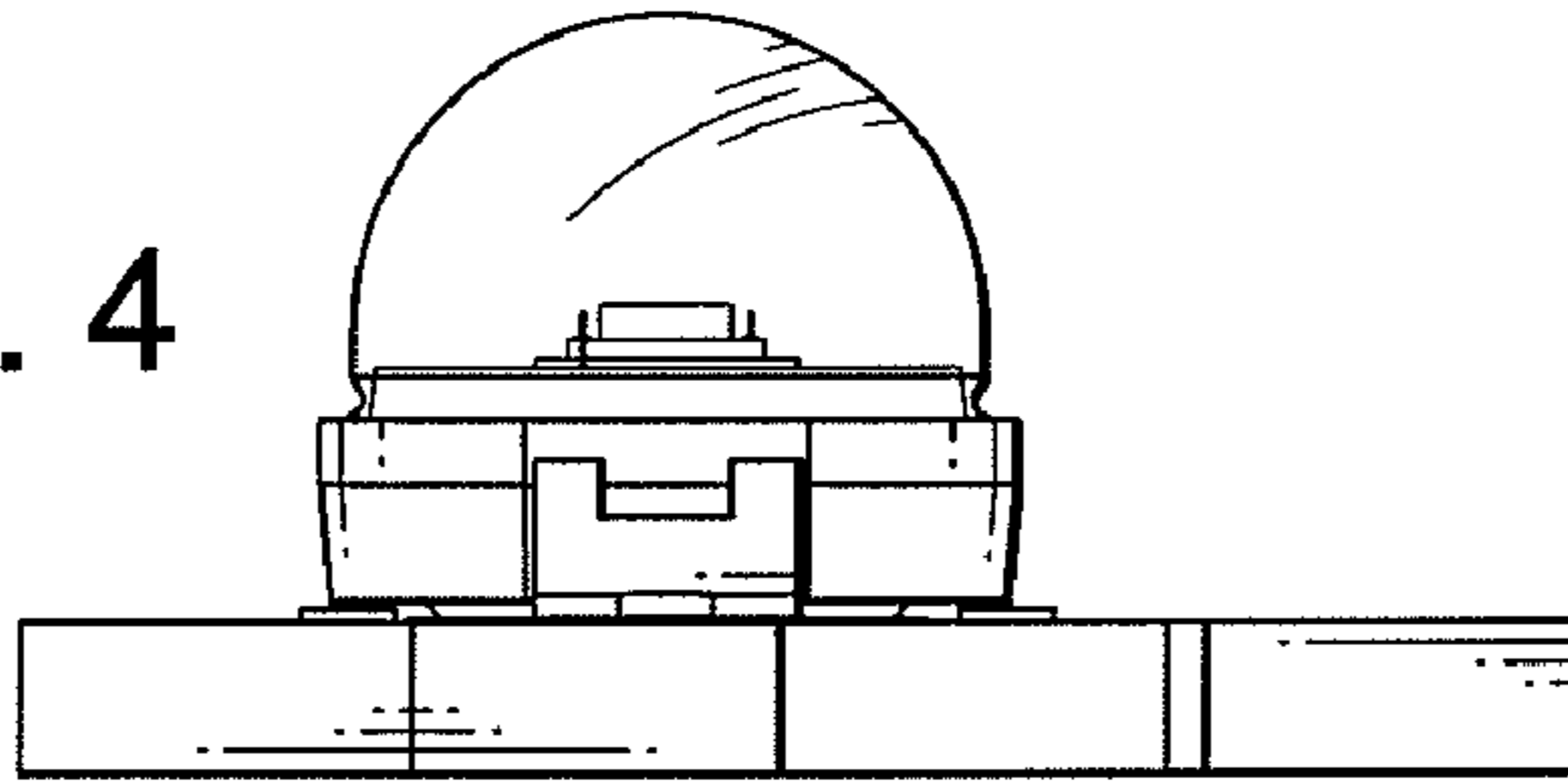


FIG. 5

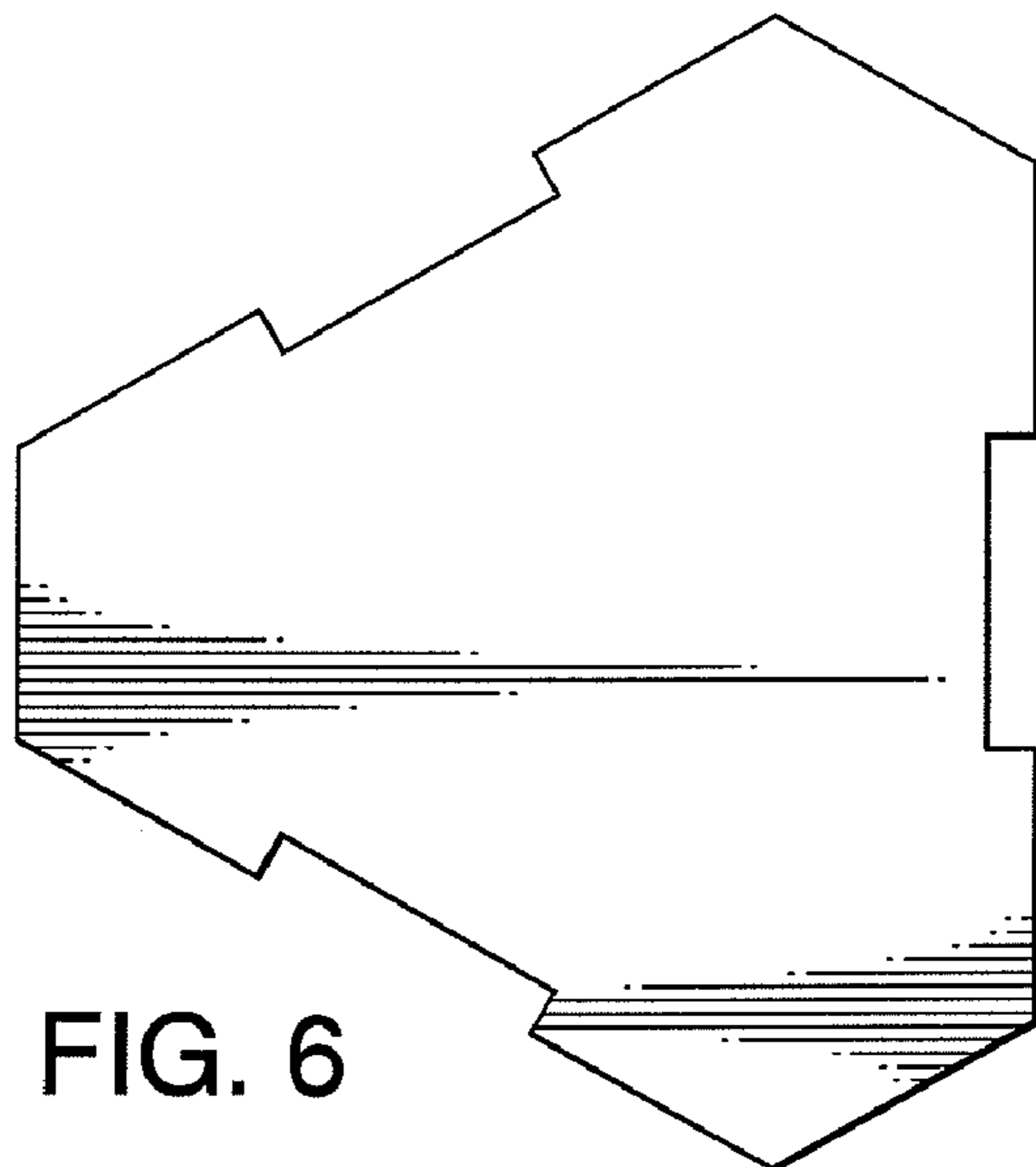


FIG. 6

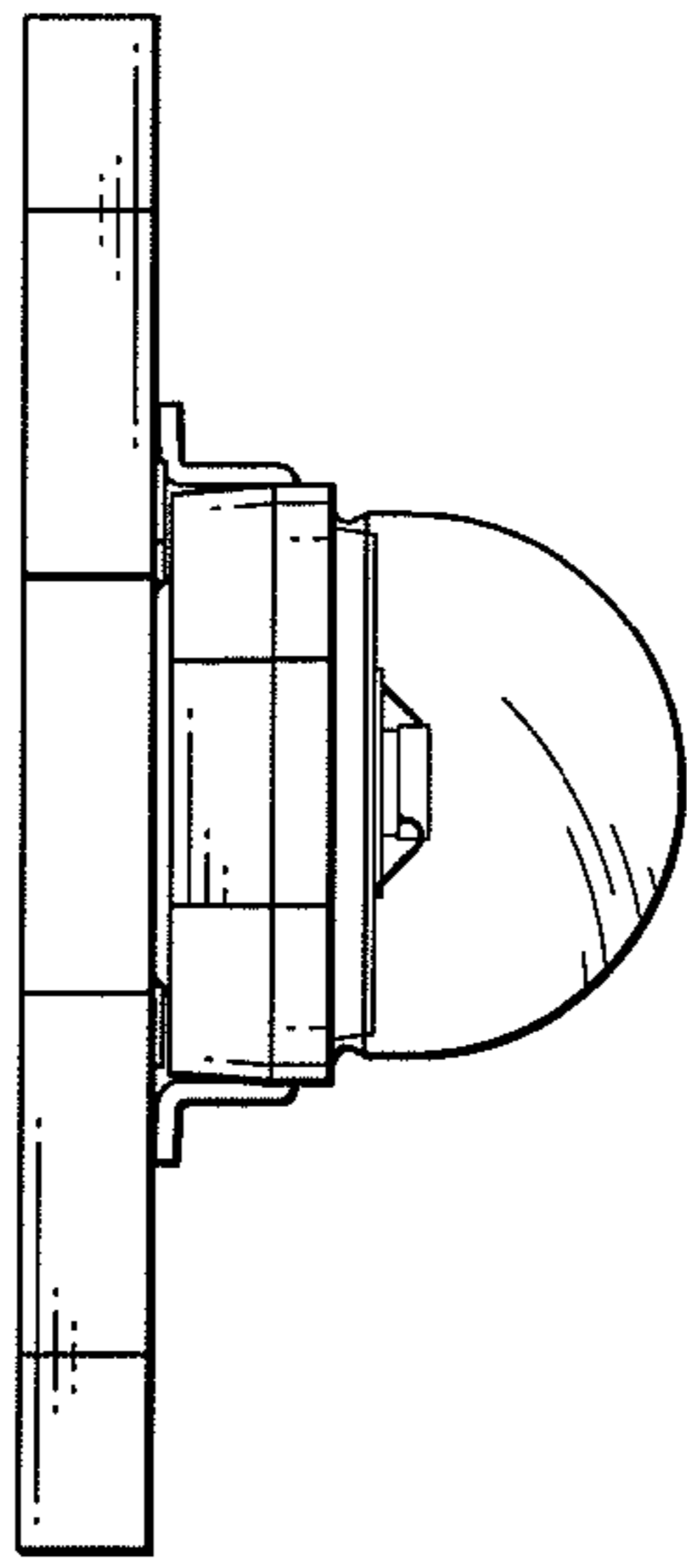


FIG. 7

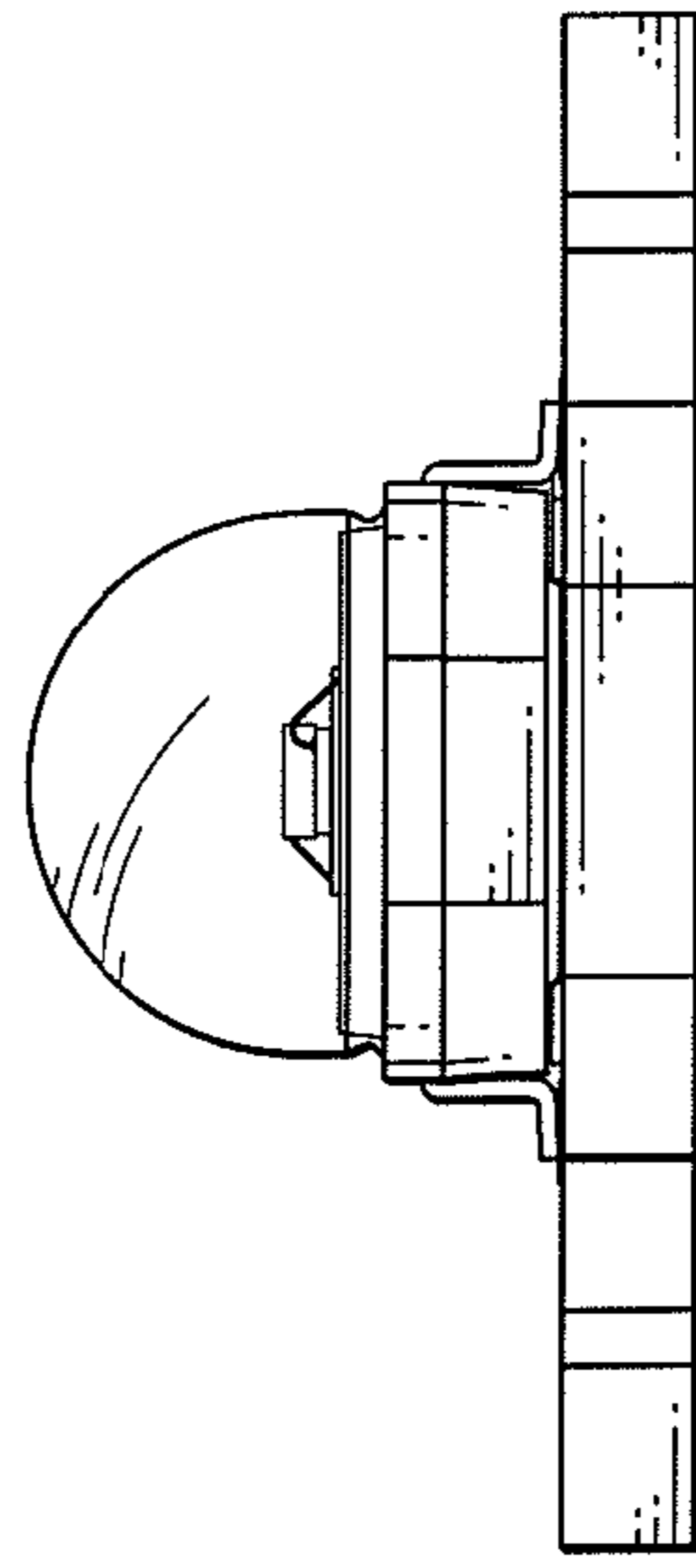


FIG. 8

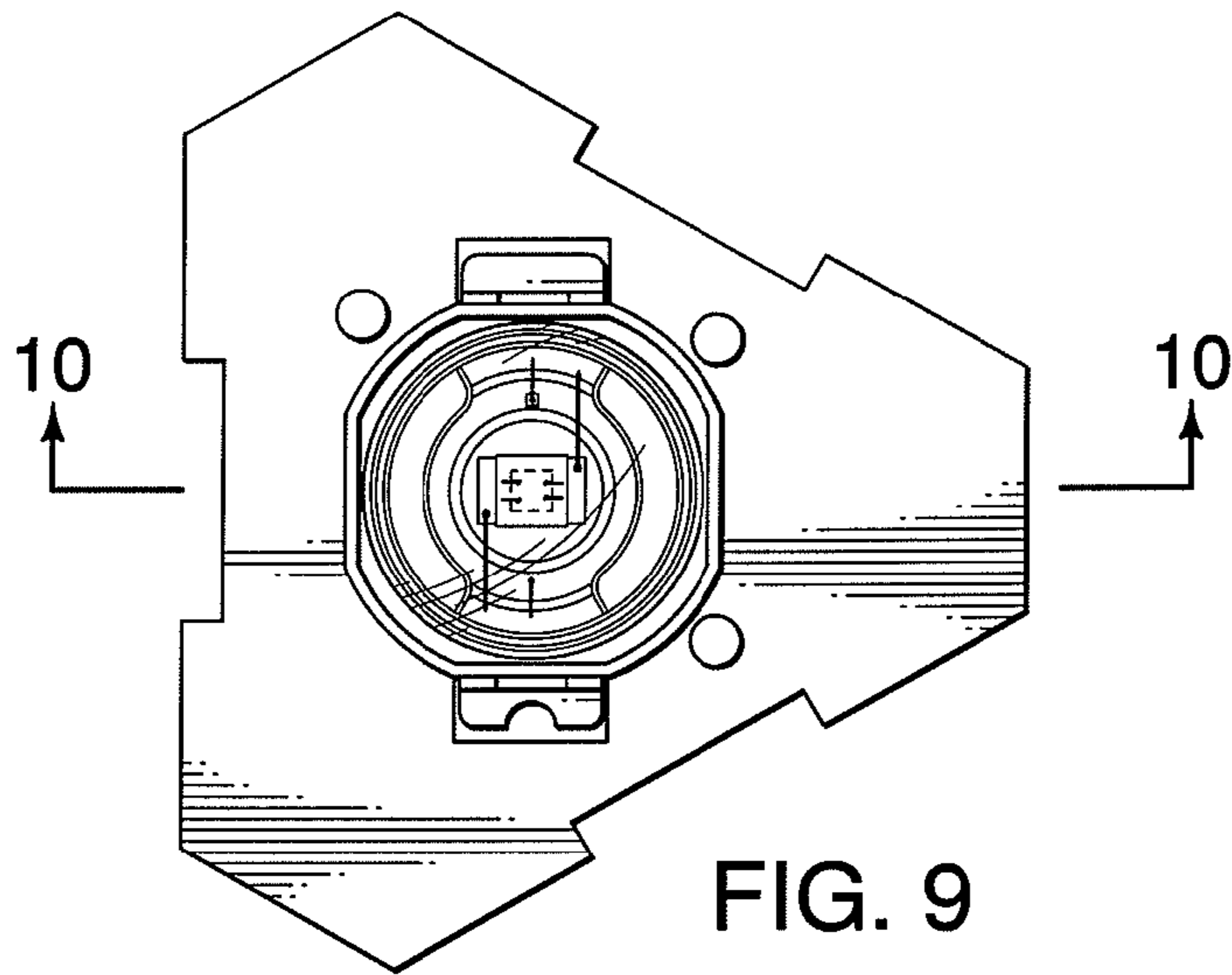


FIG. 9

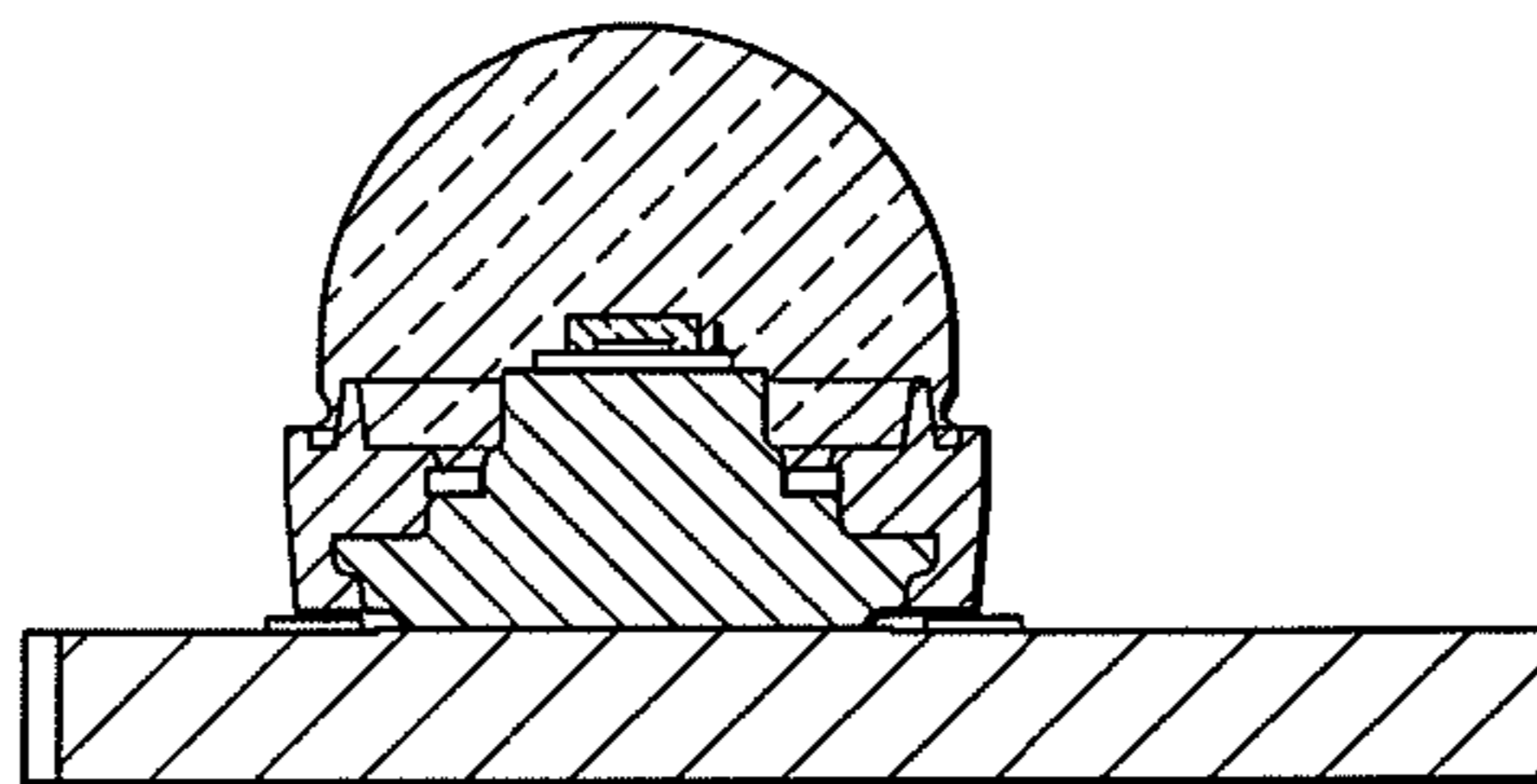


FIG. 10

FIG. 11

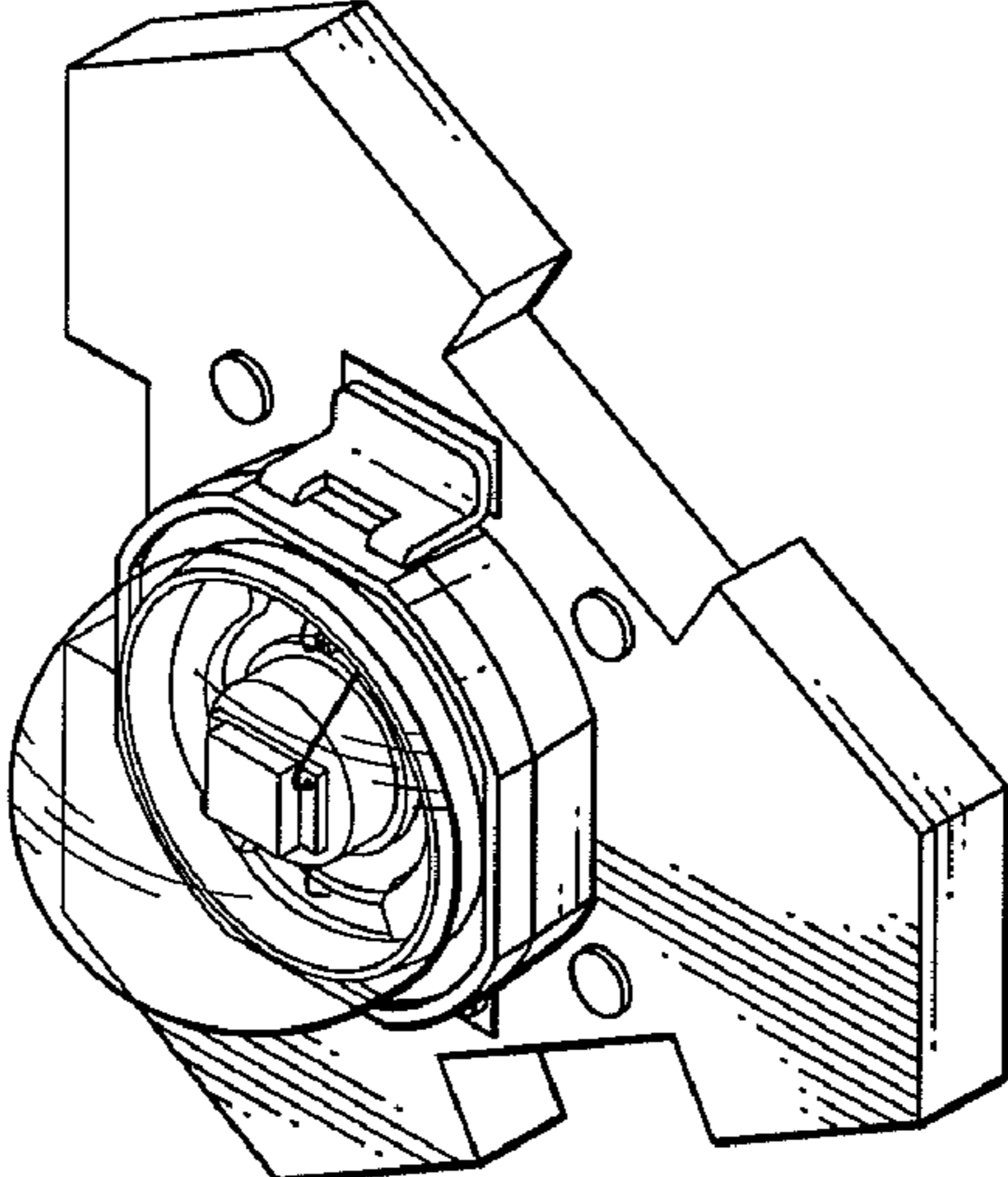


FIG. 12

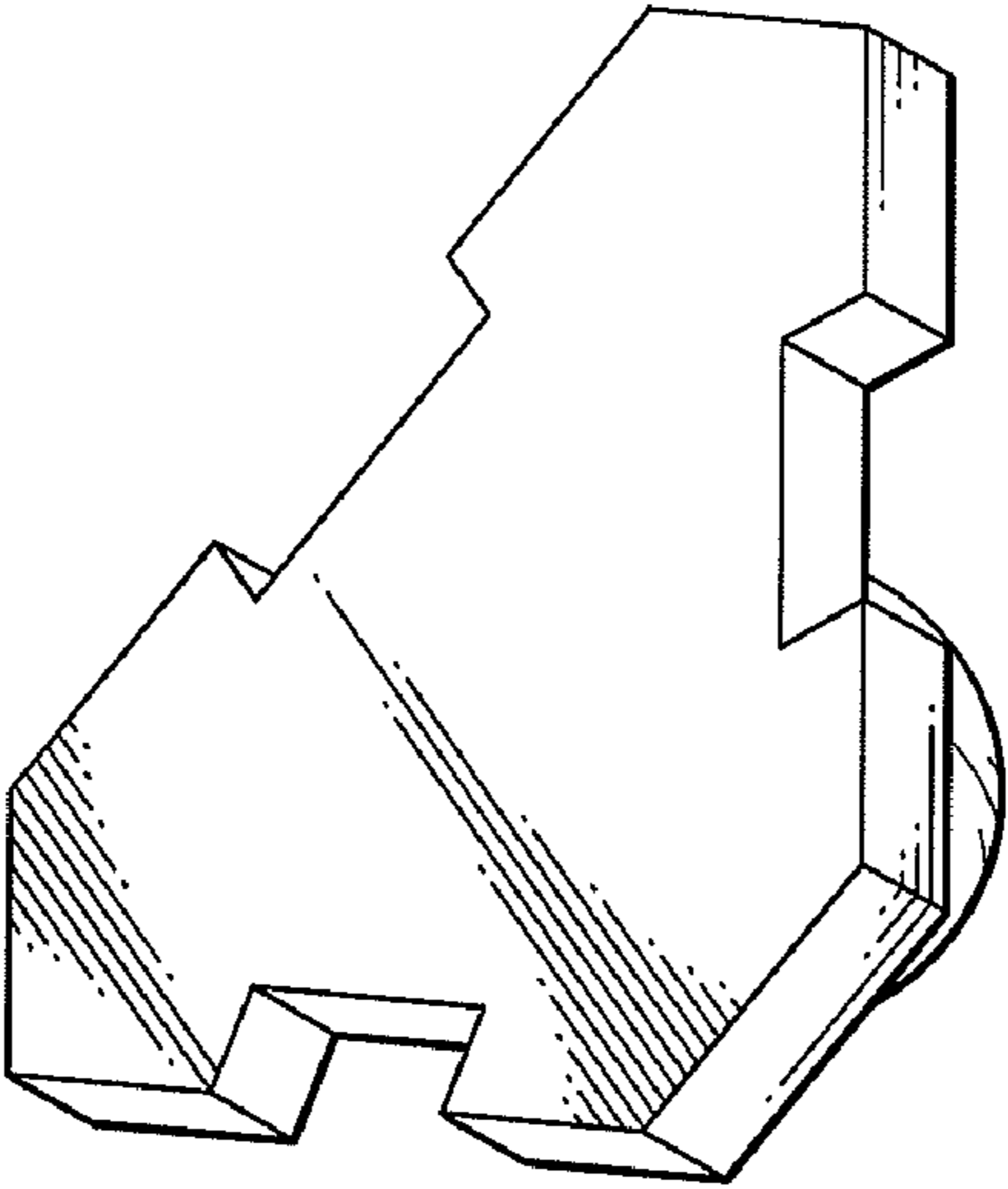


FIG. 13

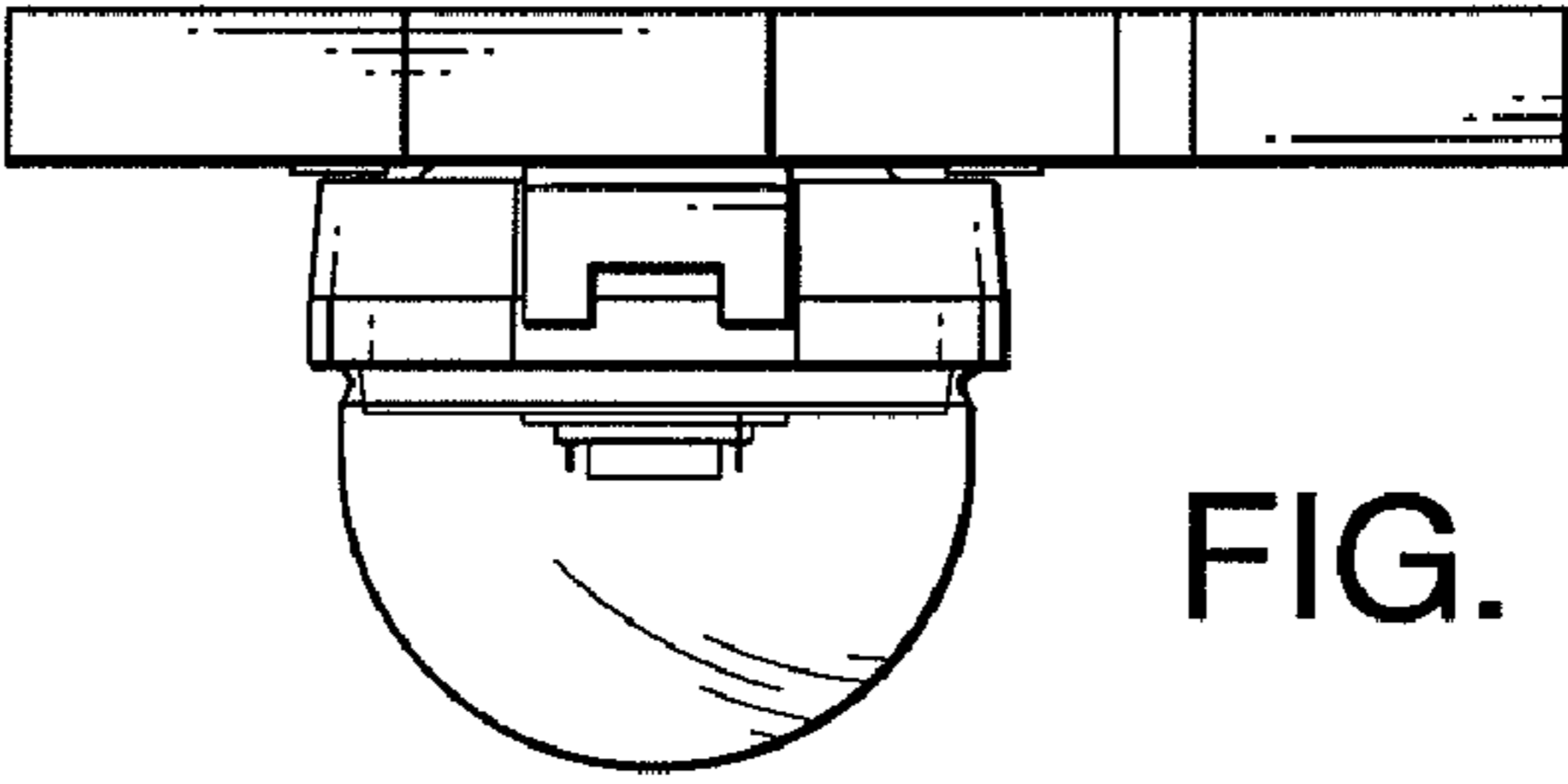


FIG. 14

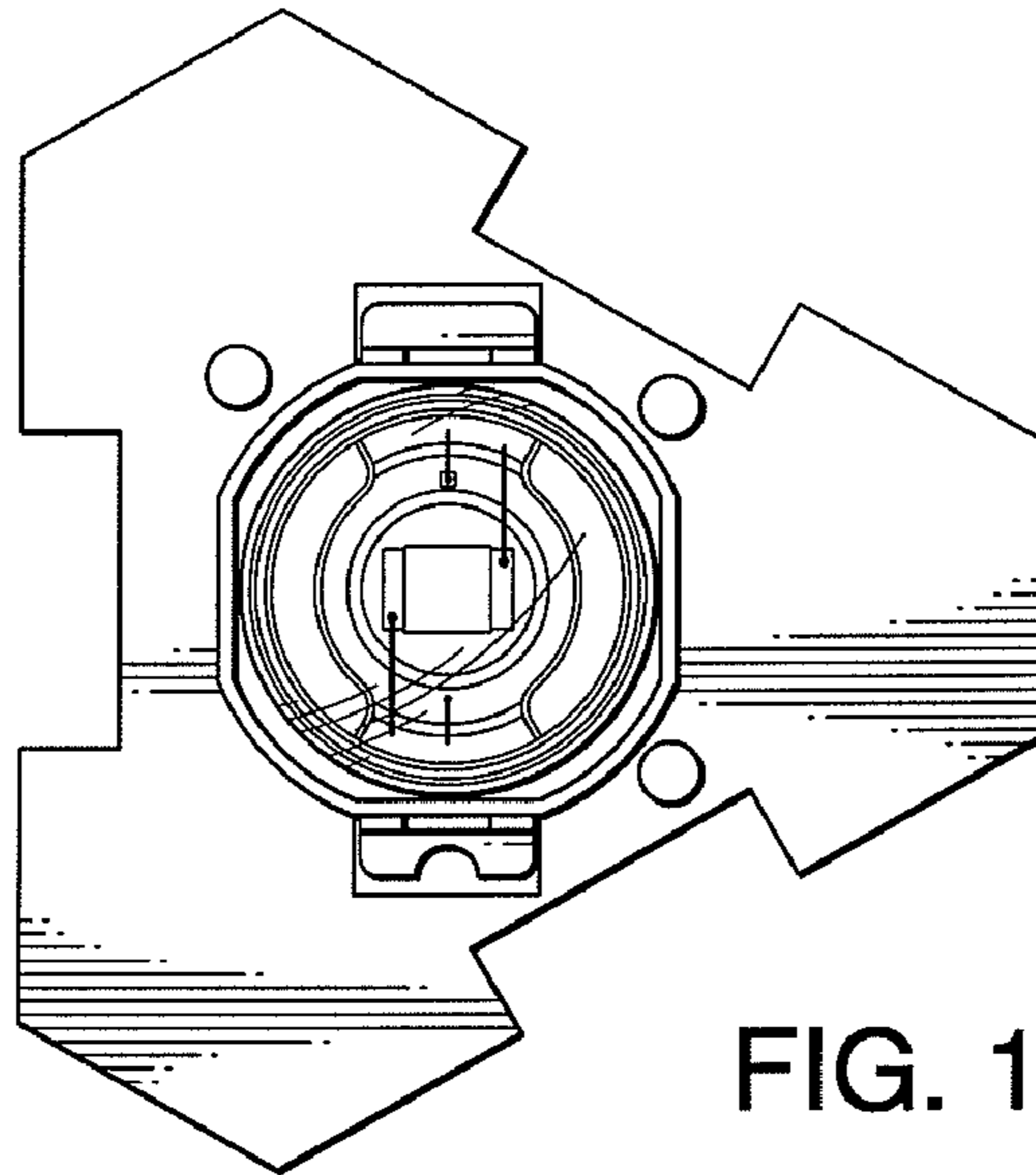
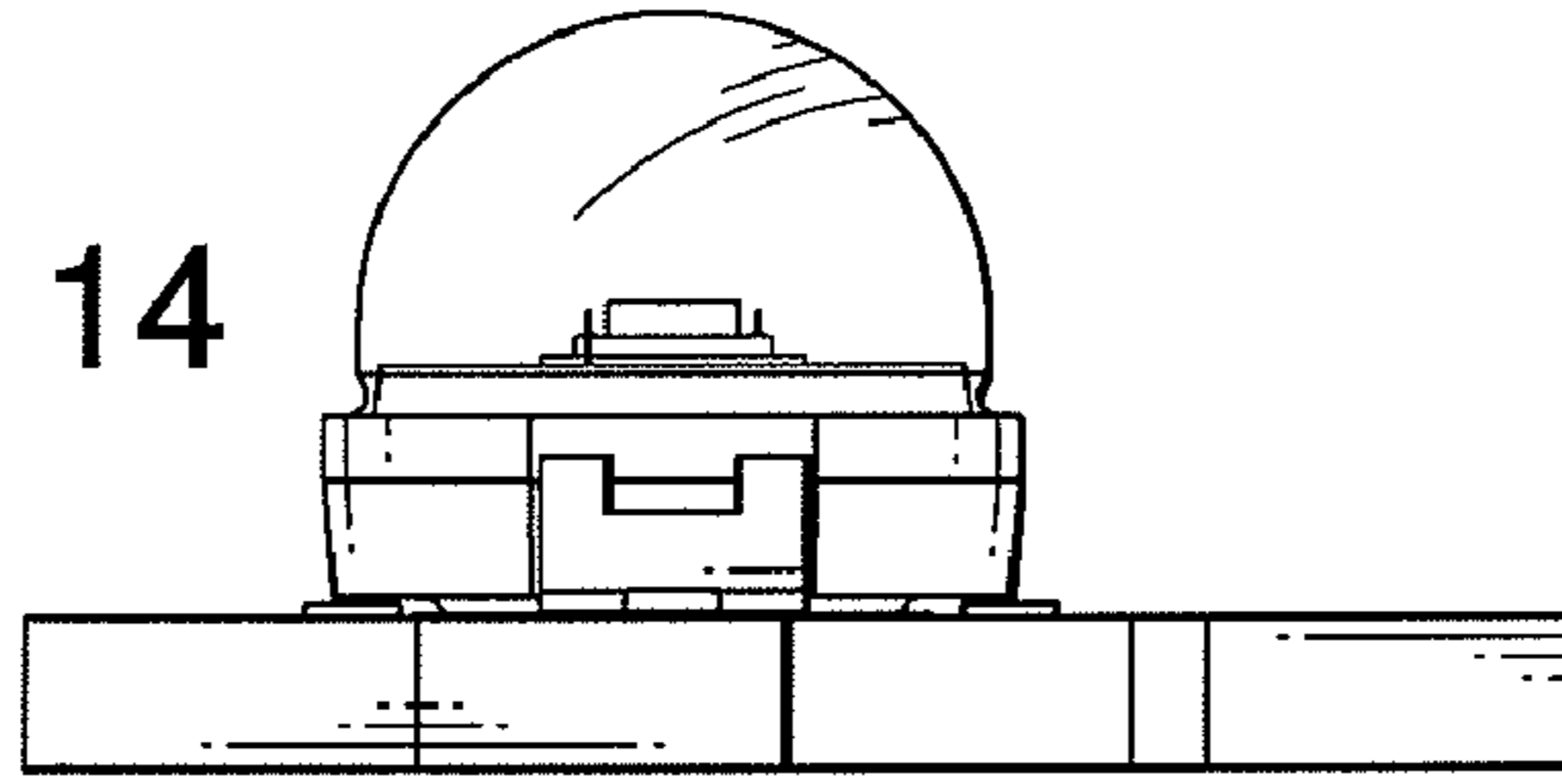


FIG. 15

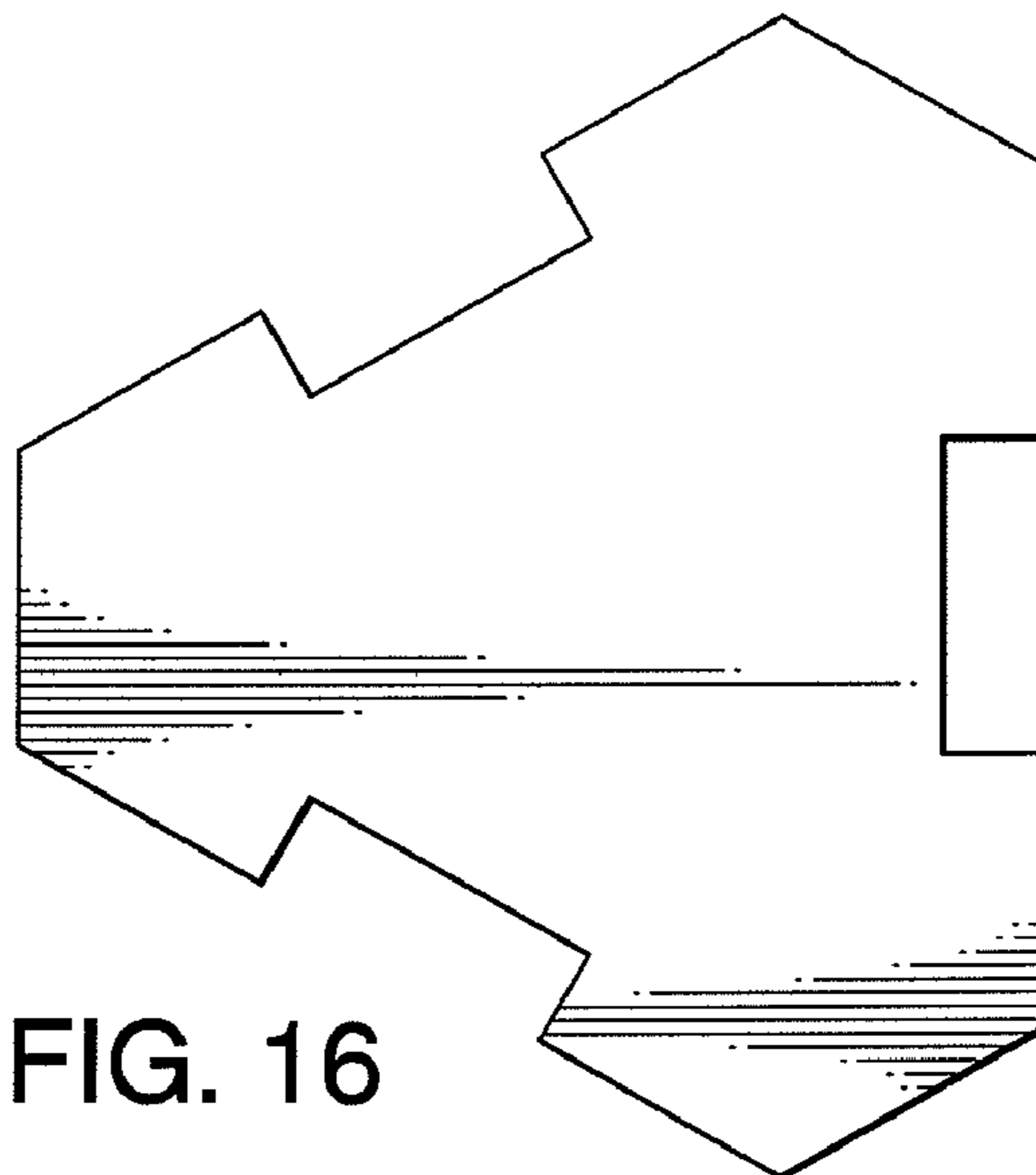


FIG. 16

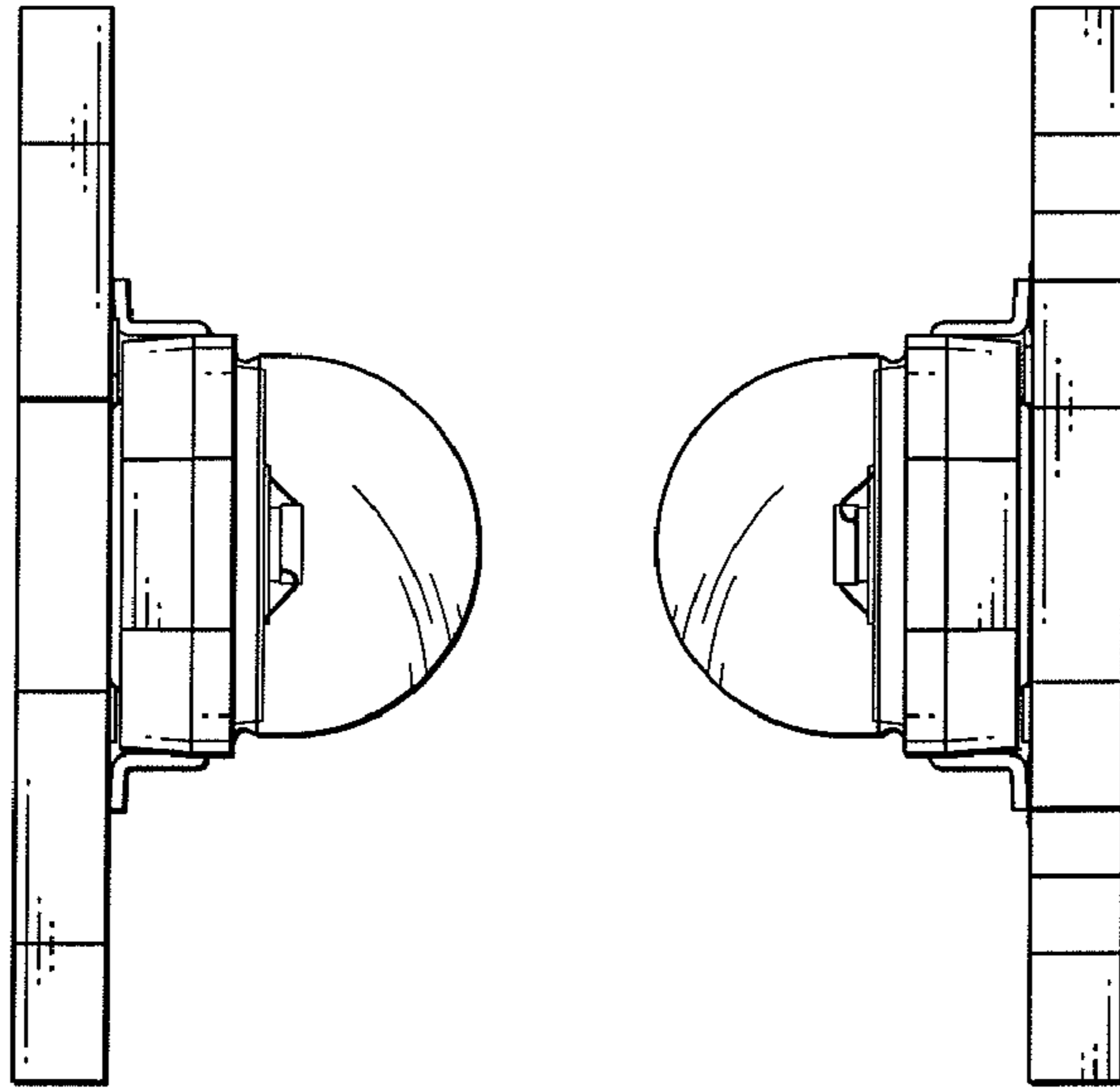


FIG. 17

FIG. 18

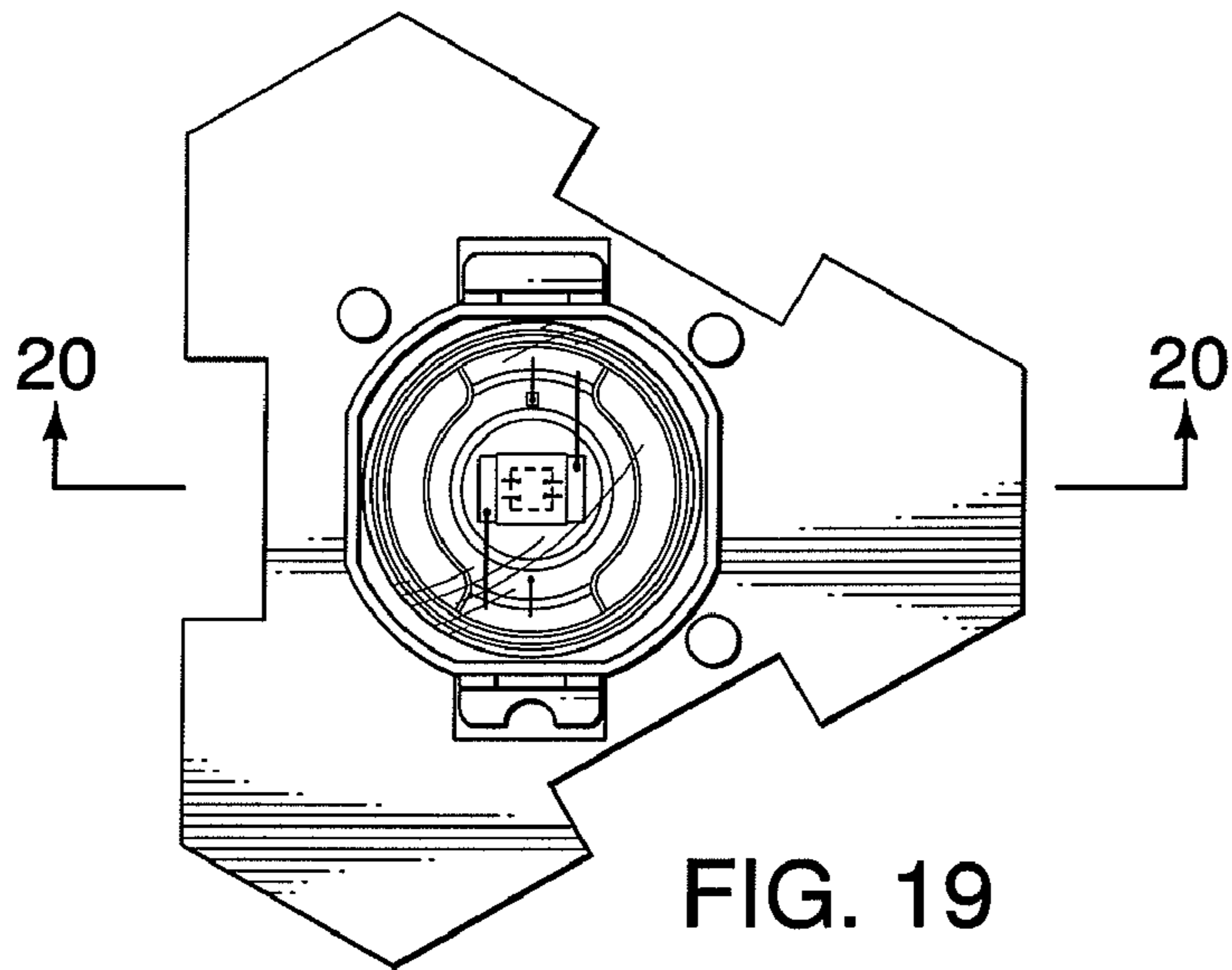


FIG. 19

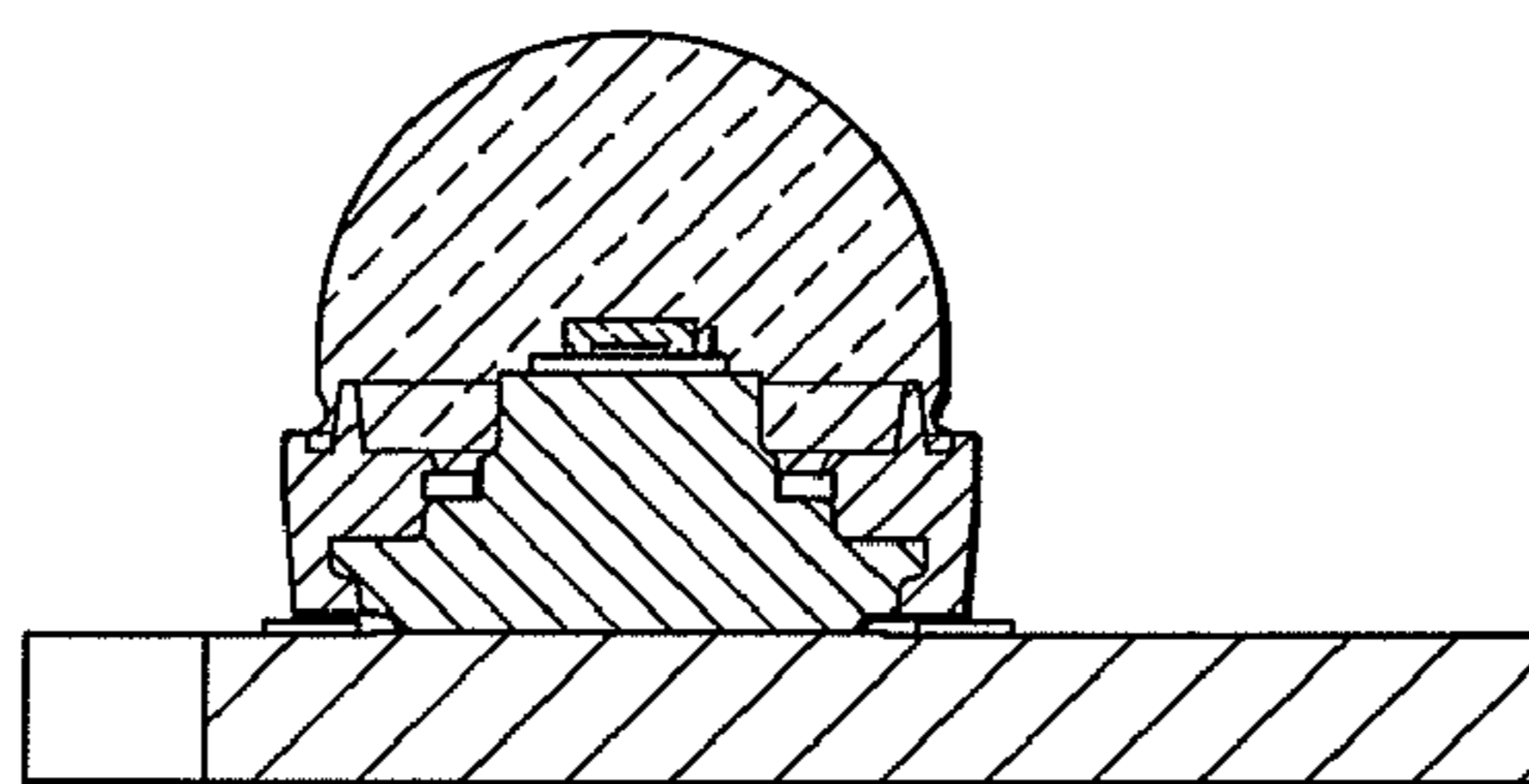


FIG. 20