



US00D577688S

(12) **United States Design Patent**
Harris, IV et al.

(10) **Patent No.:** **US D577,688 S**
(45) **Date of Patent:** **** Sep. 30, 2008**

- (54) **INDICATOR FOR A FUSE**
- (75) Inventors: **Edwin James Harris, IV**, Oak Park, IL (US); **Michael Schlaak**, Chicago, IL (US)
- (73) Assignee: **Littelfuse, Inc.**, Des Plaines, IL (US)
- (**) Term: **14 Years**
- (21) Appl. No.: **29/304,026**
- (22) Filed: **Feb. 22, 2008**

5,598,138 A	1/1997	Jaronczyk, Jr.	
5,739,737 A *	4/1998	Hatton	337/206
D454,118 S *	3/2002	Winkler	D13/158
D454,119 S *	3/2002	Winkler	D13/158
6,448,897 B1 *	9/2002	Ku	340/638
6,522,234 B1	2/2003	Sturgill	
7,126,488 B1 *	10/2006	May	340/638
2002/0149464 A1 *	10/2002	Santa Cruz et al.	337/376
2002/0181221 A1 *	12/2002	Ries et al.	361/837
2006/0017540 A1 *	1/2006	Smith	337/242

Related U.S. Application Data

- (62) Division of application No. 29/297,346, filed on Nov. 8, 2007, which is a division of application No. 29/250,430, filed on Nov. 14, 2006, now Pat. No. Des. 559,203.
- (51) **LOC (8) Cl.** **13-03**
- (52) **U.S. Cl.** **D13/173**; D13/161
- (58) **Field of Classification Search** D13/158-177, D13/184; 439/620.26, 620.29; 337/186, 337/198, 262, 404, 290, 295
See application file for complete search history.

References Cited

U.S. PATENT DOCUMENTS

2,188,816 A *	1/1940	Rankin	337/244
D184,417 S *	2/1959	Grycktko	D13/160
3,218,413 A	11/1965	Koch	
D209,209 S *	11/1967	Bonanno	D13/160
3,436,711 A	4/1969	Borzoni	
4,148,024 A *	4/1979	Kuhn et al.	340/638
4,263,575 A	4/1981	Fontaine	
4,499,447 A	2/1985	Greenberg	
4,514,723 A	4/1985	Leal	
4,604,602 A	8/1986	Borzoni	
4,695,815 A	9/1987	Hwang	
4,712,081 A	12/1987	Bosley	
5,004,995 A	4/1991	Lo	
5,111,177 A	5/1992	Krueger et al.	
5,287,080 A	2/1994	Linton et al.	
5,300,913 A	4/1994	Linton	
5,598,136 A	1/1997	Kano et al.	

FOREIGN PATENT DOCUMENTS

EP 0 004 997 7/1981

(Continued)

OTHER PUBLICATIONS

Excerpt from Ultra Application Manual 89/90 (cover sheet only in English) (3 pages), showing "Fuse Eye" product manufactured by Nagai Electronic Instrument Company, Japan, dated Oct. 1989.

(Continued)

Primary Examiner—Daniel Bui
Assistant Examiner—Thomas J Johannes
(74) *Attorney, Agent, or Firm*—Bell, Boyd & Lloyd LLP

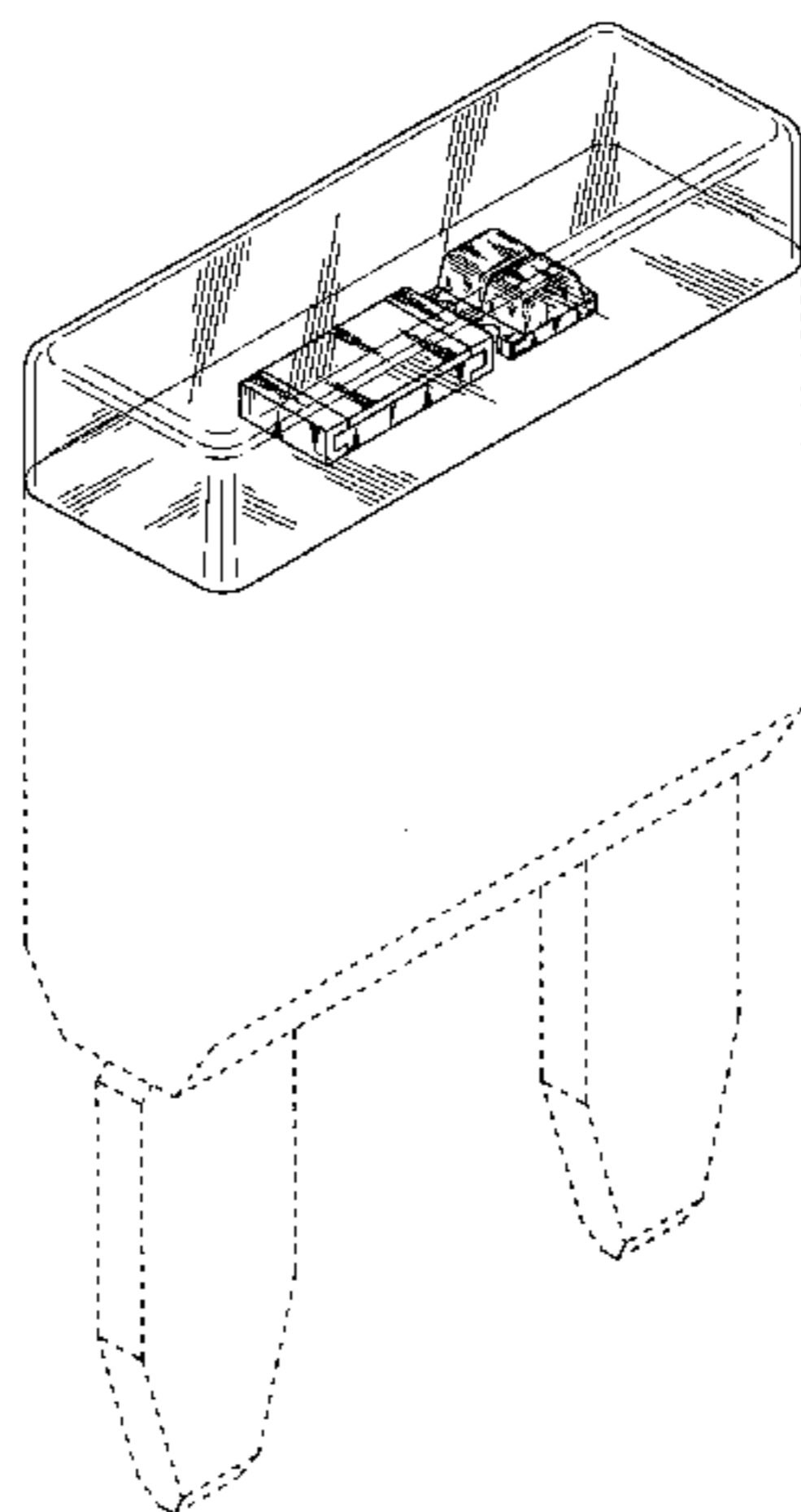
(57) **CLAIM**

The ornamental design for an indicator for a fuse, as shown and described.

DESCRIPTION

FIG. 1 is a top perspective view of a first embodiment of an indicator for a fuse;
FIG. 2 is a front view thereof, wherein the rear view is a mirror image thereof;
FIG. 3 is a first side view thereof;
FIG. 4 is a second side view thereof; and,
FIG. 5 is a top view thereof;
The ornamental design which is claimed is shown in solid lines in the drawings. Any broken lines in the drawings are for illustrative purposes only and form no part of the claimed design.

1 Claim, 4 Drawing Sheets



FOREIGN PATENT DOCUMENTS

EP	0 201 714	4/1986
EP	0 213 404	7/1986
EP	0 271 449	5/1987
EP	1 003 194	11/1998
EP	1 336 853	2/2002
GB	1 549 932	8/1979
GB	2 223 487	4/1990
GB	2 223 981	4/1990

WO	95/17761	6/1995
WO	02/01591	1/2002
WO	03/028060	4/2003

OTHER PUBLICATIONS

Photocopy of package for Littelfuse Circuit Alert ATO Auto Fuse, front and back sides (2 pages), dated approximately 1995.

* cited by examiner

FIG. 1

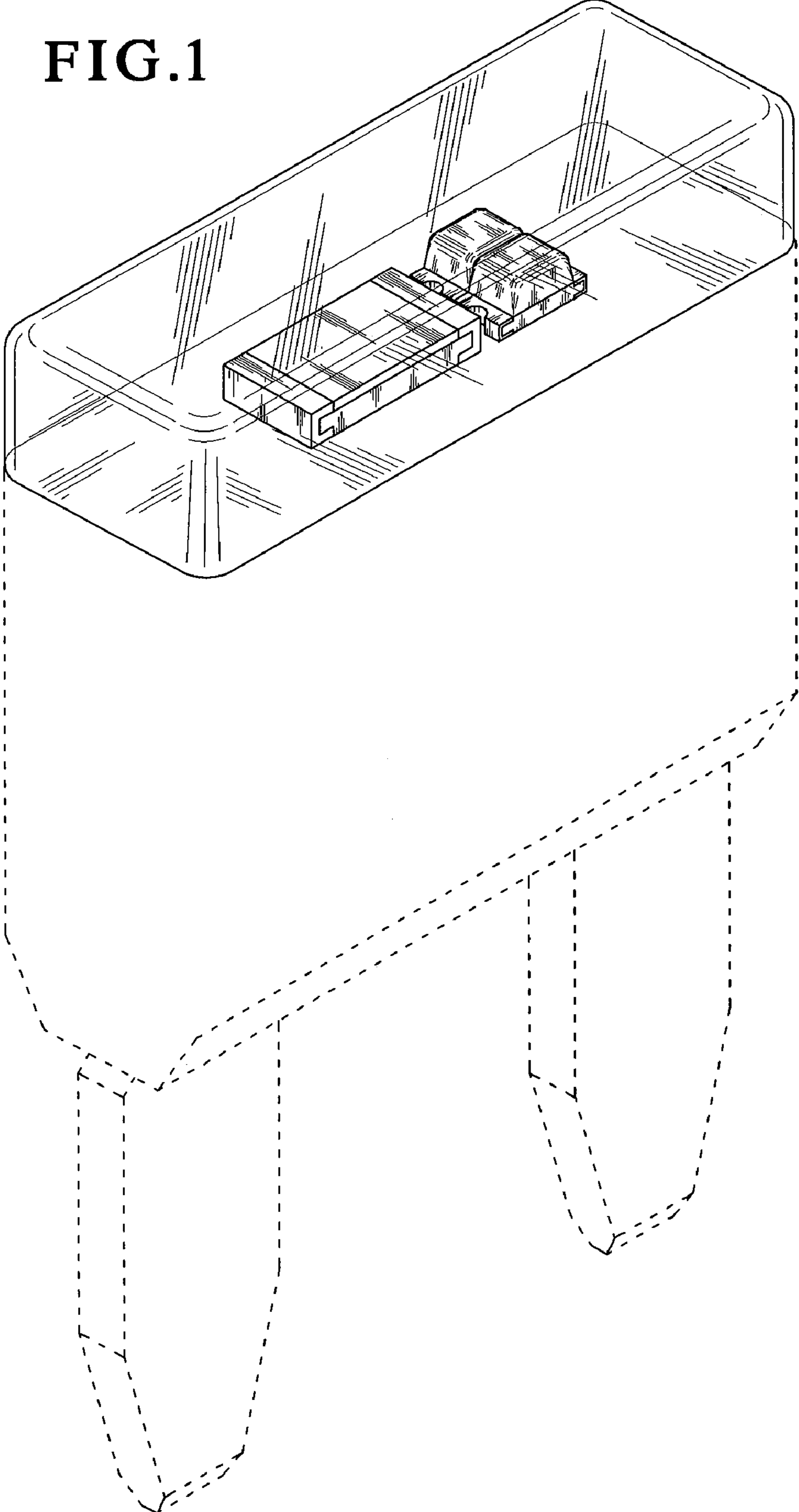


FIG. 2



FIG.3

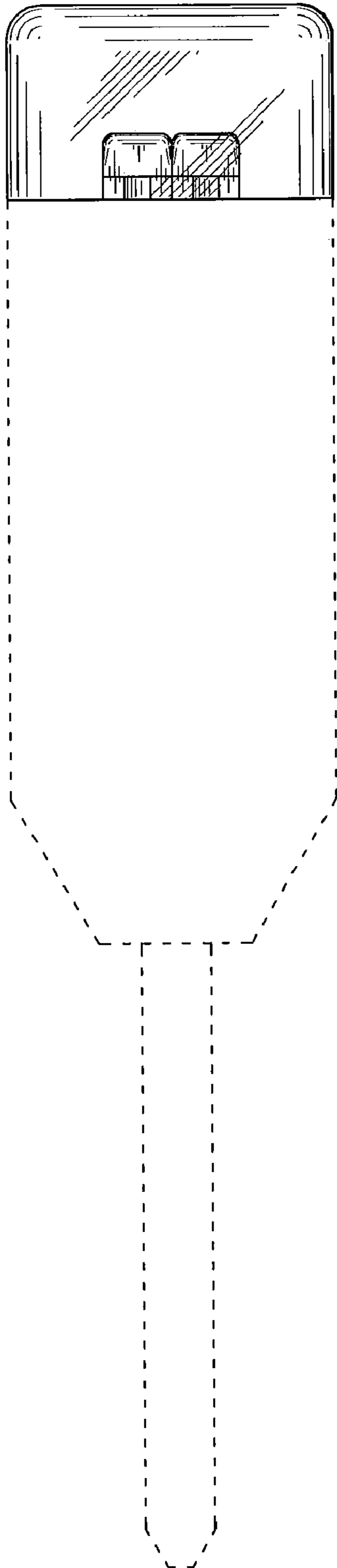


FIG.4

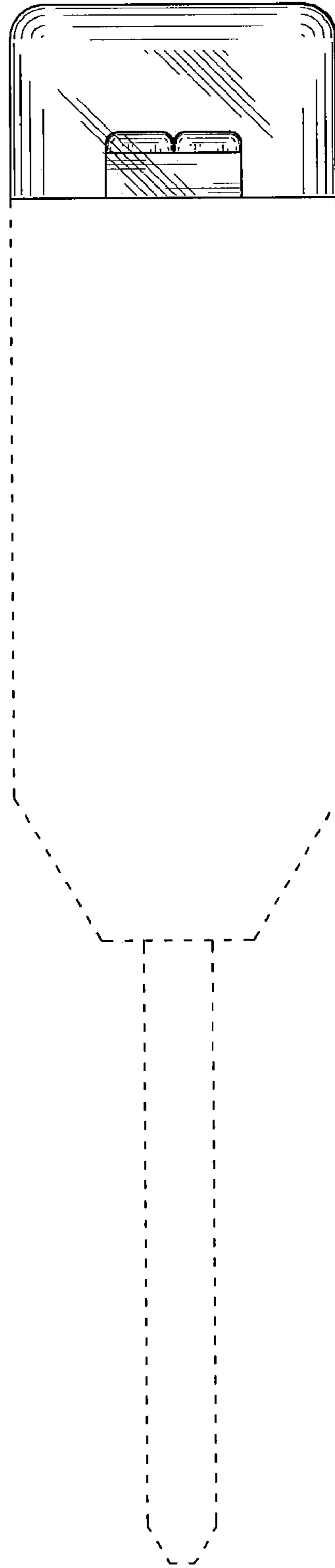


FIG. 5

