



US00D577687S

(12) **United States Design Patent**
Harris, IV et al.

(10) **Patent No.:** **US D577,687 S**
(45) **Date of Patent:** **** Sep. 30, 2008**

(54) **INDICATOR FOR A FUSE**
(75) Inventors: **Edwin James Harris, IV**, Oak Park, IL
(US); **Michael Schlaak**, Chicago, IL
(US)

5,598,136 A 1/1997 Kano et al.
5,598,138 A 1/1997 Jaronczyk, Jr.
5,739,737 A * 4/1998 Hatton 337/206
(Continued)

(73) Assignee: **Littelfuse, Inc.**, Des Plaines, IL (US)

EP 0044997 7/1981
EP 0 201 714 4/1986
(Continued)

(**) Term: **14 Years**

FOREIGN PATENT DOCUMENTS

(21) Appl. No.: **29/297,346**

(22) Filed: **Nov. 8, 2007**

OTHER PUBLICATIONS

Related U.S. Application Data

(62) Division of application No. 29/250,430, filed on Nov. 14, 2006, now Pat. No. Des. 559,203.

Complaint for Violation of Lanham Act By Use of False Designation of Origin, Massachusetts Statutory Unfair Competition, Common Law Trademark and Trade Dress Infringement, Common Law Unfair Competition, Fraud and Breach of Contract filed in the U.S. District Court for the District of Massachusetts, Civil Action No. 06-CV-12062, entitled *Stephen DiPhillipo v. Littelfuse, Inc., et al.*, dated Nov. 13, 2006 (57 pages).

(51) **LOC (8) Cl.** **13-03**
(52) **U.S. Cl.** **D13/173; D13/161**
(58) **Field of Classification Search** D13/160,
D13/161, 173, 158-177, 184; 439/620.26,
439/620.29; 337/186, 198, 262, 404, 290,
337/295

(Continued)

See application file for complete search history.

Primary Examiner—Daniel Bui
Assistant Examiner—Thomas J Johannes
(74) *Attorney, Agent, or Firm*—Bell, Boyd & Lloyd LLP

(56) **References Cited**

(57) **CLAIM**

U.S. PATENT DOCUMENTS

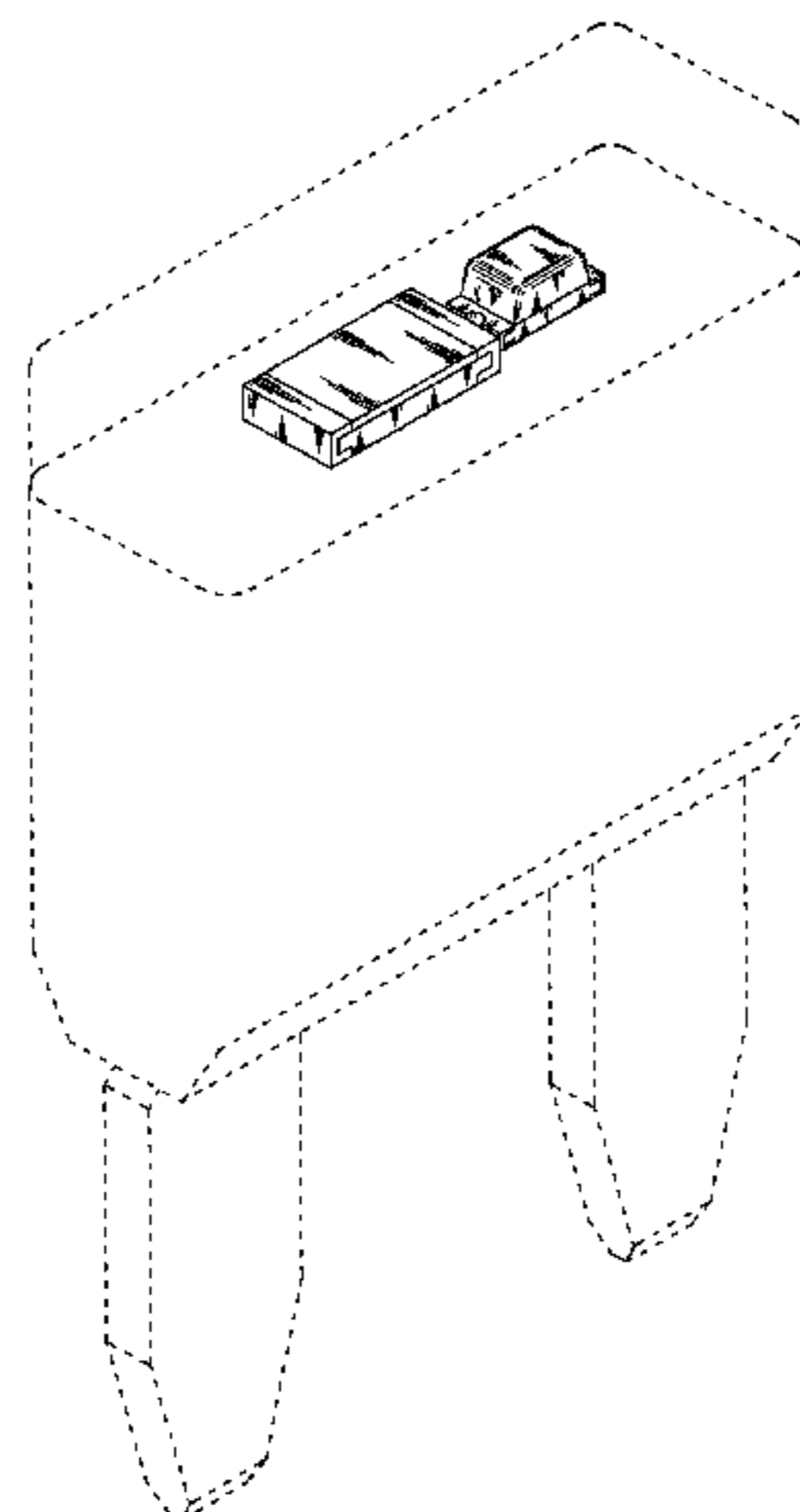
2,188,816 A * 1/1940 Rankin 337/244
D184,417 S * 2/1959 Grycktko D13/160
3,218,413 A 11/1965 Koch
D209,209 S * 11/1967 Bonanno D13/160
3,436,711 A 4/1969 Borzoni
4,148,024 A * 4/1979 Kuhn et al. 340/638
4,263,575 A 4/1981 Fontaine
4,499,447 A 2/1985 Greenberg
4,514,723 A 4/1985 Leal
4,604,602 A 8/1986 Borzoni
4,695,815 A 9/1987 Hwang
4,712,081 A 12/1987 Bosley
5,004,995 A 4/1991 Lo
5,111,177 A 5/1992 Krueger et al.
5,287,080 A 2/1994 Linton et al.
5,300,913 A 4/1994 Linton

The ornamental design for an indicator for a fuse, as shown and described.

DESCRIPTION

FIG. 1 is a top perspective view of an indicator for a fuse showing our new design;
FIG. 2 is a front view thereof, wherein the rear view is a mirror image thereof;
FIG. 3 is a first side view thereof;
FIG. 4 is a second side view thereof; and,
FIG. 5 is a top view thereof.
The ornamental design which is claimed is shown in solid lines in the drawings. Any broken lines in the drawings are for illustrative purposes only and form no part of the claimed design.

1 Claim, 4 Drawing Sheets



U.S. PATENT DOCUMENTS

D454,118	S *	3/2002	Winkler	D13/158
D454,119	S *	3/2002	Winkler	D13/158
6,448,897	B1 *	9/2002	Ku	340/638
6,522,234	B1	2/2003	Sturgill	
7,126,488	B1 *	10/2006	May	340/638
2002/0149464	A1 *	10/2002	Santa Cruz et al.	337/376
2002/0181221	A1 *	12/2002	Ries et al.	361/837
2006/0017540	A1 *	1/2006	Smith	337/242

FOREIGN PATENT DOCUMENTS

EP	0 213 404	7/1986
EP	0 271 449	5/1987
EP	1 003 194	11/1998
EP	1 336 853	2/2002
GB	1 549 932	8/1979
GB	2 223 487	4/1990
GB	2 223 981	4/1990
WO	95/17761	6/1995
WO	02/01591	1/2002

WO 03/028060 4/2003

OTHER PUBLICATIONS

First Amended Complaint for Violation of Lanham Act By Use of False Designation of Origin, Massachusetts Statutory Unfair Competition, Common Law Trademark and Trade Dress Infringement, Common Law Unfair Competition, Fraud and Breach of Contract filed in the U.S. District Court for the District of Massachusetts, Civil Action No. 06-CV-12062, entitled *Stephen DiPhillipo v. Littelfuse, Inc., et al.*, dated Jan. 5, 2007 (23 pages).

Littelfuse, Inc.'s Answer and Affirmative Defenses to First Amended Complaint, filed in the U.S. District Court for the District of Massachusetts, Civil Action No. 06-CV-12062, entitled *Stephen DiPhillipo v. Littelfuse, Inc., et al.*, dated Feb. 2, 2007 (33 pages).

Complaint for Violation of Lanham Act, Common Law Trademark Infringement and for Cancellation of Trademark filed in the U.S. District Court for the District of Massachusetts, Civil Action No. 07-CV-11238, entitled *Stephen DiPhillipo v. Littelfuse, Inc.*, dated Jul. 5, 2007.

Excerpt from Ultra Application Manual 89/90 (cover sheet only in English) (3 pages), showing "Fuse Eye" product manufactured by Nagai Electronic Instrument Company, Japan, dated Oct. 1989.

Photocopy of package for Littelfuse Circuit Alert ATO Auto Fuse, front and back sides (2 pages), dated approximately 1995.

* cited by examiner

FIG.1

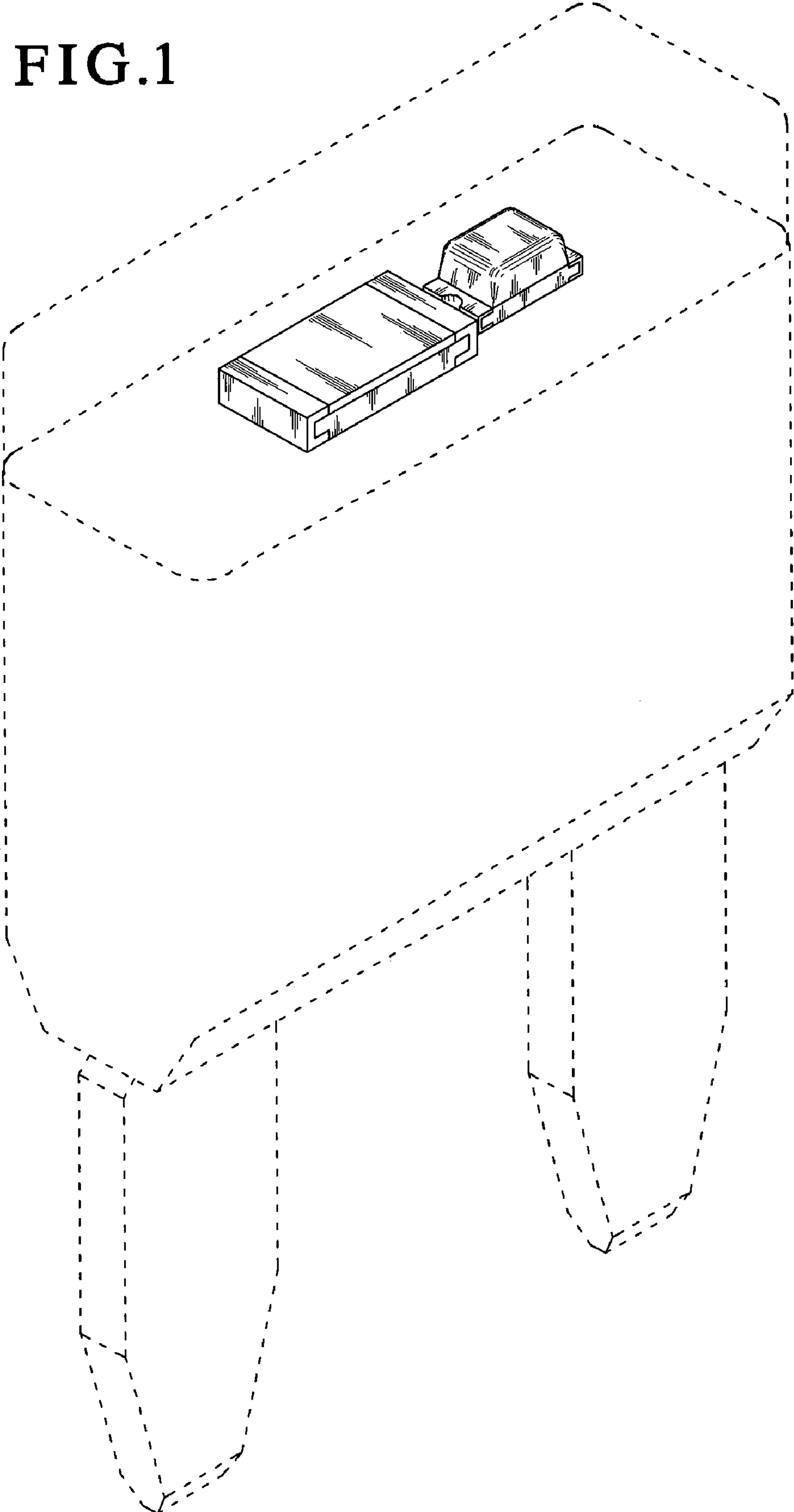


FIG. 2

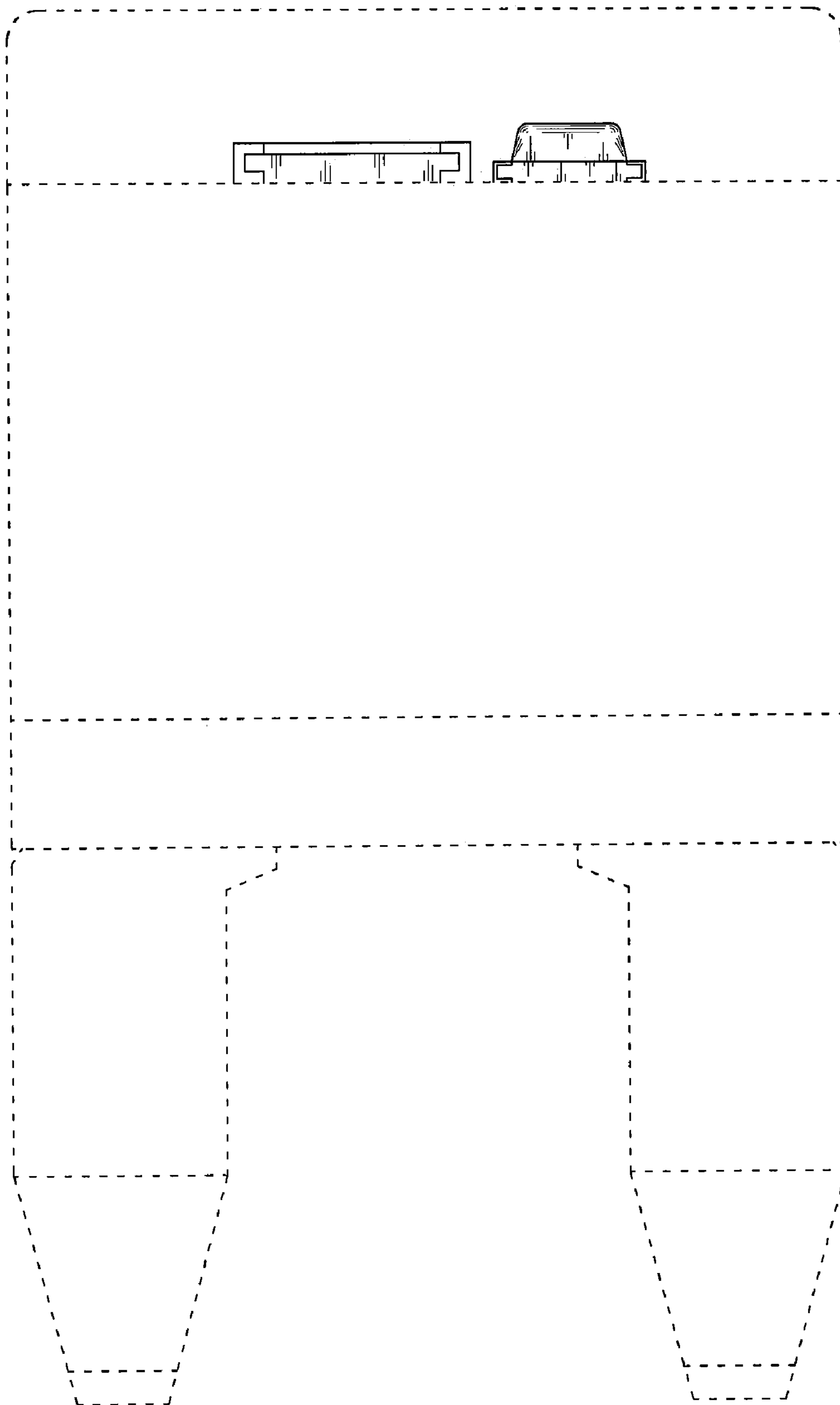


FIG.3

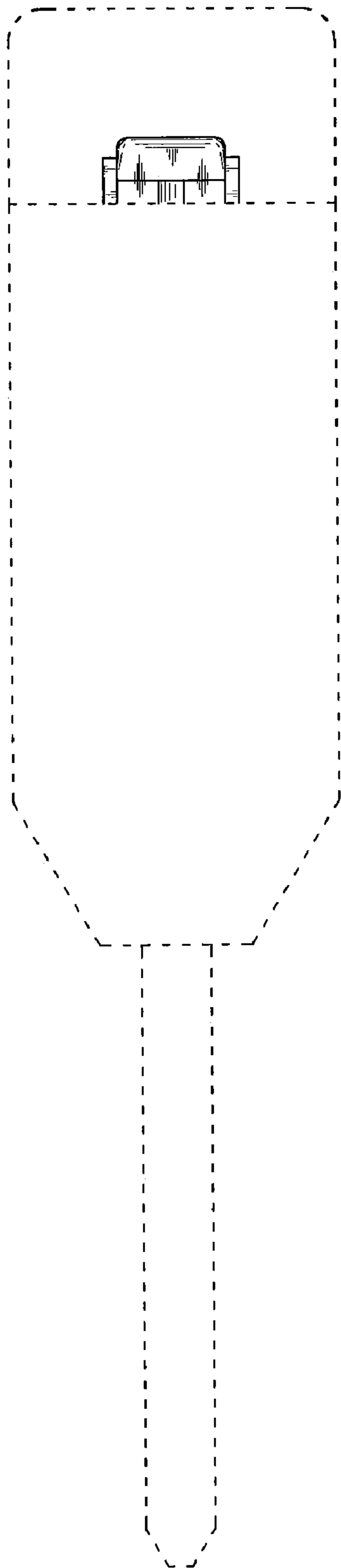


FIG.4

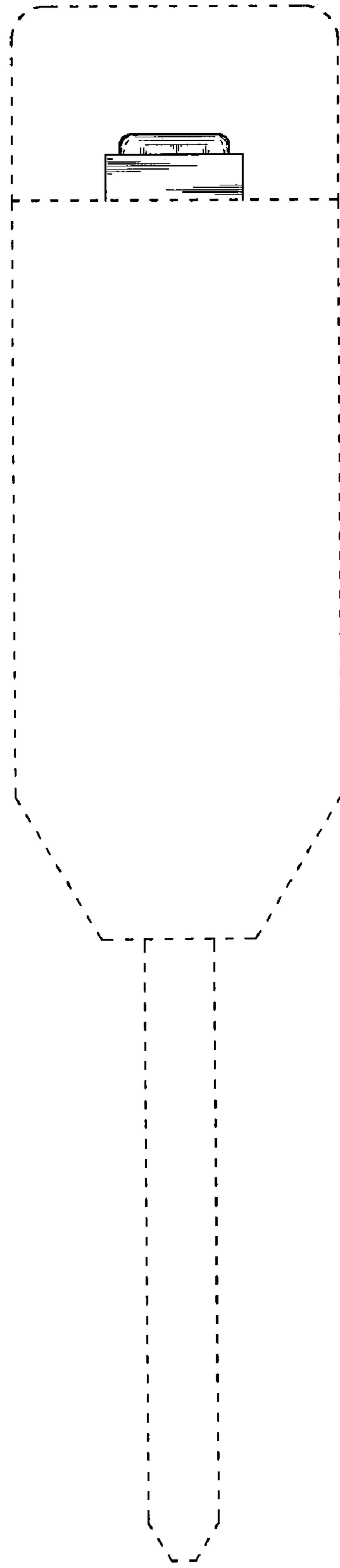


FIG. 5

