



US00D577686S

(12) **United States Design Patent**
Ni

(10) **Patent No.:** **US D577,686 S**

(45) **Date of Patent:** **** Sep. 30, 2008**

(54) **DIMMER**

(75) Inventor: **LiDong Ni, Yueqing (CN)**

(73) Assignee: **Use Lighting Control, Inc., El Monte, CA (US)**

(**) Term: **14 Years**

(21) Appl. No.: **29/272,061**

(22) Filed: **Jan. 31, 2007**

(51) **LOC (8) Cl.** **13-03**

(52) **U.S. Cl.** **D13/170; D13/162**

(58) **Field of Classification Search** D13/158,
D13/169, 170; 174/66; 200/5 R, 530, 531,
200/536, 547, 550, 252, 293, 296, 315, 333,
200/335, 329; 338/176; 315/291-296
See application file for complete search history.

(56) **References Cited**

U.S. PATENT DOCUMENTS

- D241,853 S * 10/1976 Spira et al. D13/170
- 4,833,277 A * 5/1989 Jacoby et al. 174/66
- 4,947,054 A * 8/1990 Flowers et al. 307/125
- 5,191,971 A * 3/1993 Hakkarainen et al. 200/550
- D405,061 S * 2/1999 Thomas D13/170
- D437,584 S * 2/2001 Radosavljevic et al. D13/170

- 6,198,631 B1 * 3/2001 Radosavljevic et al. 361/704
- D457,145 S * 5/2002 Pagano et al. D13/169
- D457,863 S * 5/2002 Jacoby D13/170
- D463,382 S * 9/2002 Jacoby D13/170
- D464,629 S * 10/2002 Dowd et al. D13/170
- 2007/0272535 A1 * 11/2007 Sloan et al. 200/550

* cited by examiner

Primary Examiner—Selina Sikder

(74) *Attorney, Agent, or Firm*—Clement Cheng

(57) **CLAIM**

The ornamental design for a dimmer, as shown and described.

DESCRIPTION

FIG. 1 is a perspective view of the dimmer showing my new design.

FIG. 2 is a front view thereof.

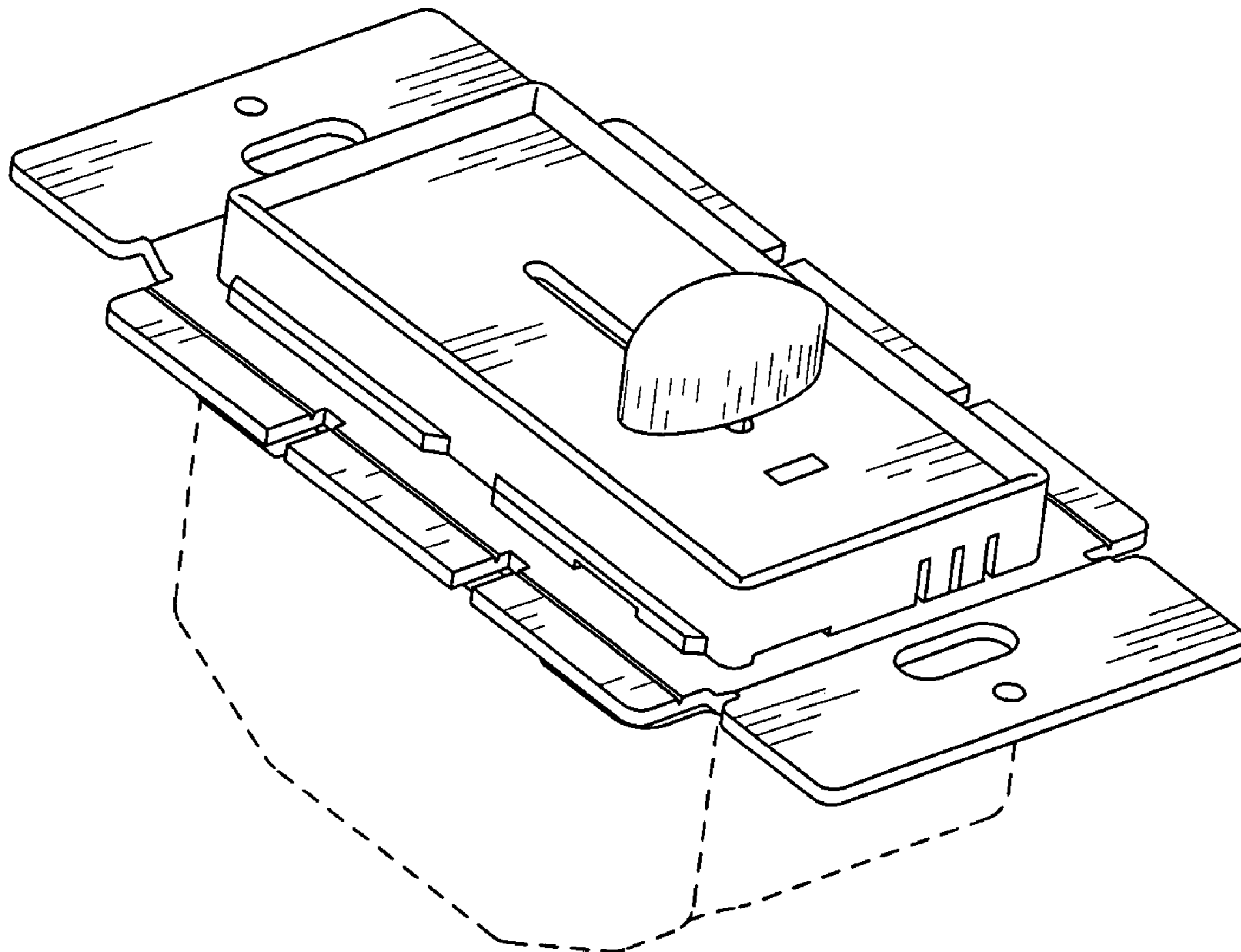
FIG. 3 is a side view thereof, the opposite side being a mirror image; and,

FIG. 4 is a top view thereof, the bottom view being a mirror image.

The rear view is unornamented.

The broken lines represent unclaimed subject matter.

1 Claim, 4 Drawing Sheets



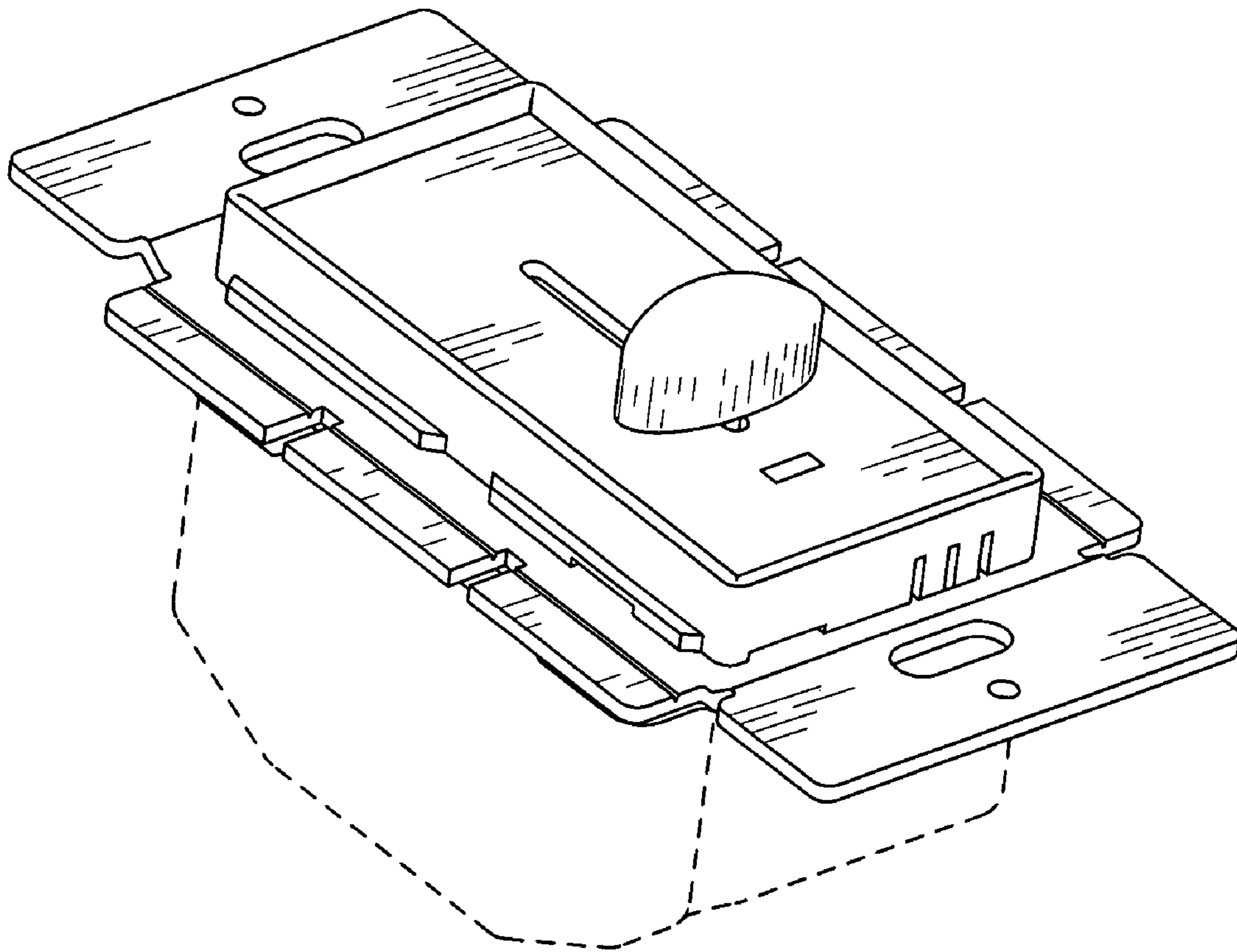


FIG. 1

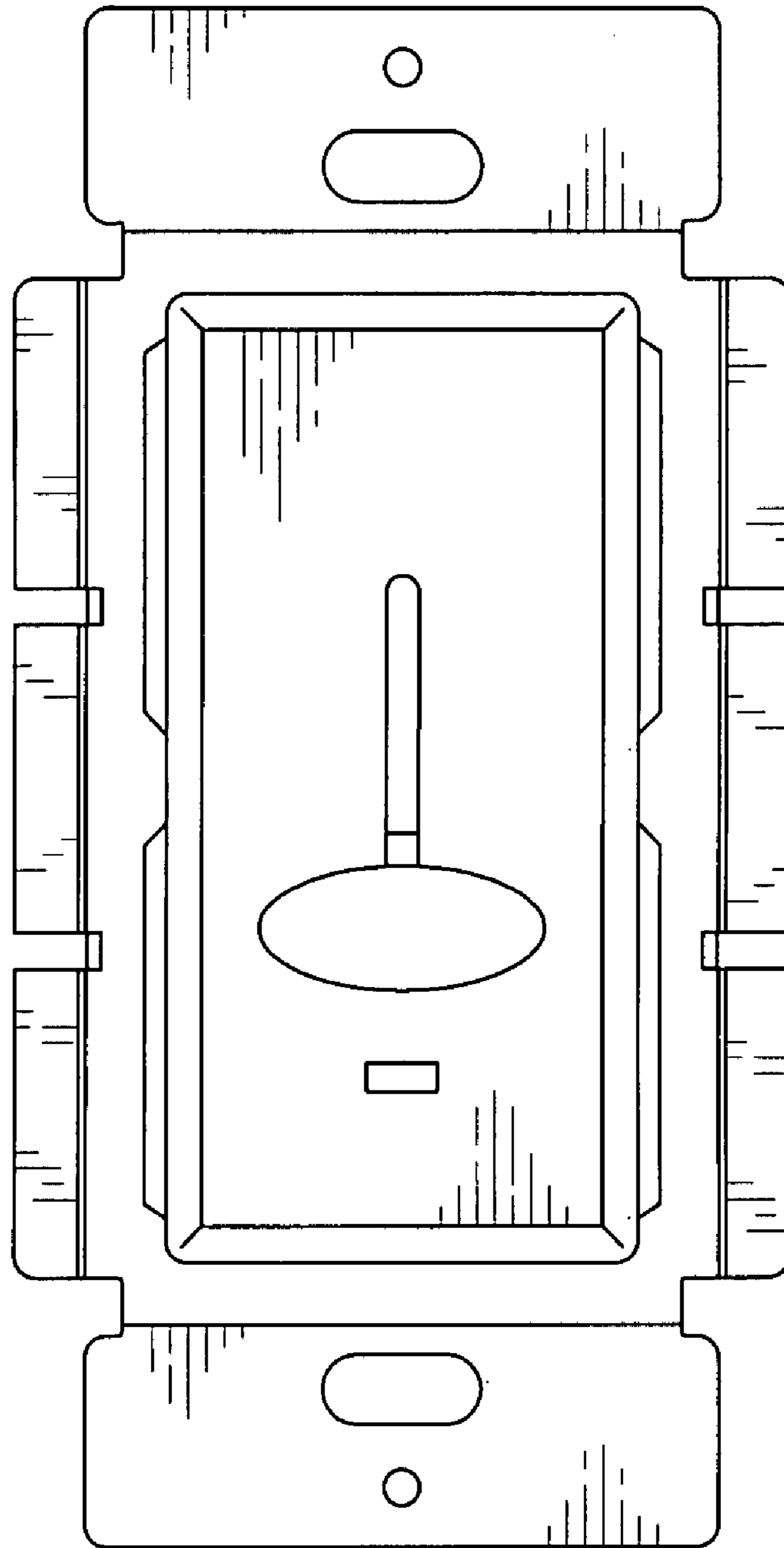


FIG. 2

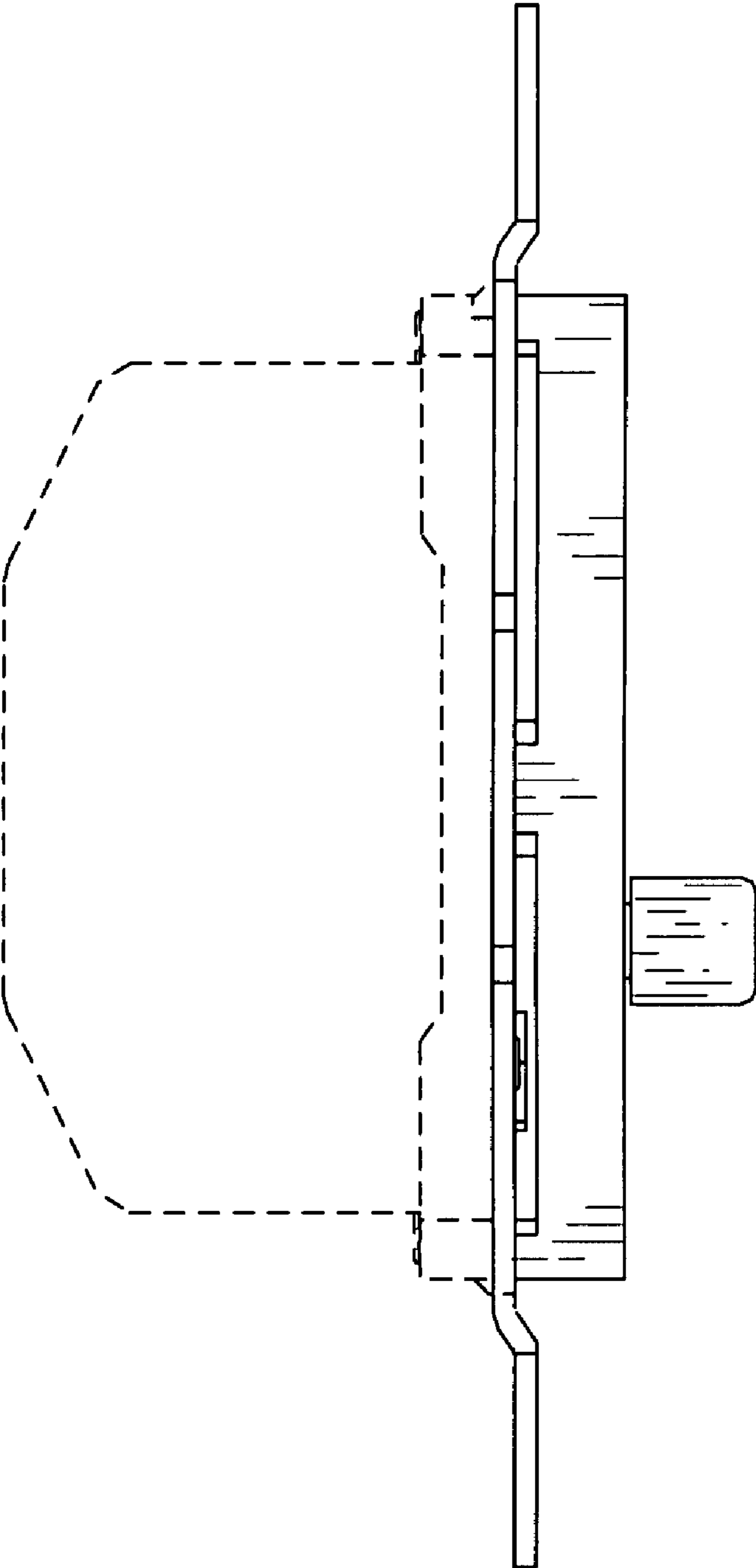


FIG. 3

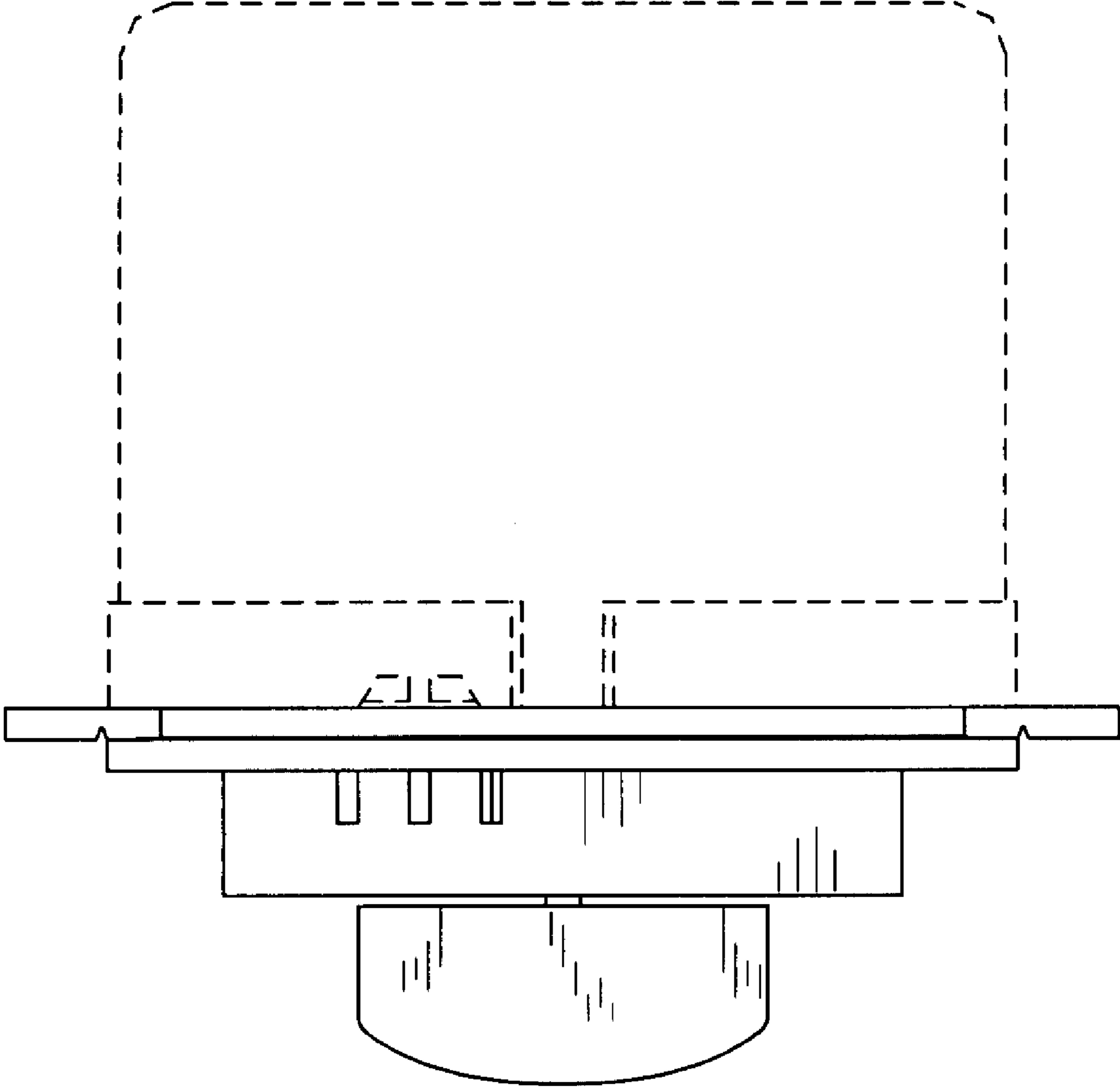


FIG. 4