



US00D577683S

(12) **United States Design Patent**
Chawgo et al.

(10) **Patent No.:** **US D577,683 S**

(45) **Date of Patent:** **** Sep. 30, 2008**

(54) **OPEN COMPRESSION-TYPE COAXIAL
CABLE CONNECTOR**

(75) Inventors: **Shawn Chawgo**, Cicero, NY (US);
Noah Montena, Syracuse, NY (US)

(73) Assignee: **John Mezzalingua Assoc., Inc.**, East
Syracuse, NY (US)

(**) Term: **14 Years**

(21) Appl. No.: **29/297,724**

(22) Filed: **Nov. 16, 2007**

(51) **LOC (8) Cl.** **13-03**

(52) **U.S. Cl.** **D13/154; D13/151; D13/133**

(58) **Field of Classification Search** D13/133,
D13/151, 154, 184, 199; 174/75 C; 439/246,
439/252, 306, 476.1, 578, 580, 583, 584,
439/585, 805

See application file for complete search history.

(56) **References Cited**

U.S. PATENT DOCUMENTS

D233,991 S *	12/1974	Smith et al.	D13/151
D436,076 S *	1/2001	Montena	D13/133
D437,826 S *	2/2001	Montena	D13/133
D440,539 S *	4/2001	Montena	D13/133
D440,939 S *	4/2001	Montena	D13/133
D475,945 S	6/2003	Kolbinger et al.	
D475,975 S *	6/2003	Fox	D13/151

D475,976 S	6/2003	Montena	
D505,391 S *	5/2005	Rodrigues et al.	D13/151
D513,736 S	1/2006	Fox	
D518,772 S *	4/2006	Fox	D13/133
D535,259 S *	1/2007	Rodrigues et al.	D13/151
D561,691 S *	2/2008	Holliday	D13/133
2008/0064259 A1 *	3/2008	Amidon	439/578

* cited by examiner

Primary Examiner—Daniel D Bui

(74) *Attorney, Agent, or Firm*—Melissa Bitting

(57) **CLAIM**

The ornamental design for an open compression-type coaxial cable connector, as shown and described.

DESCRIPTION

FIG. 1 is a perspective view of an open compression-type coaxial cable connector, in open position, showing our new design;

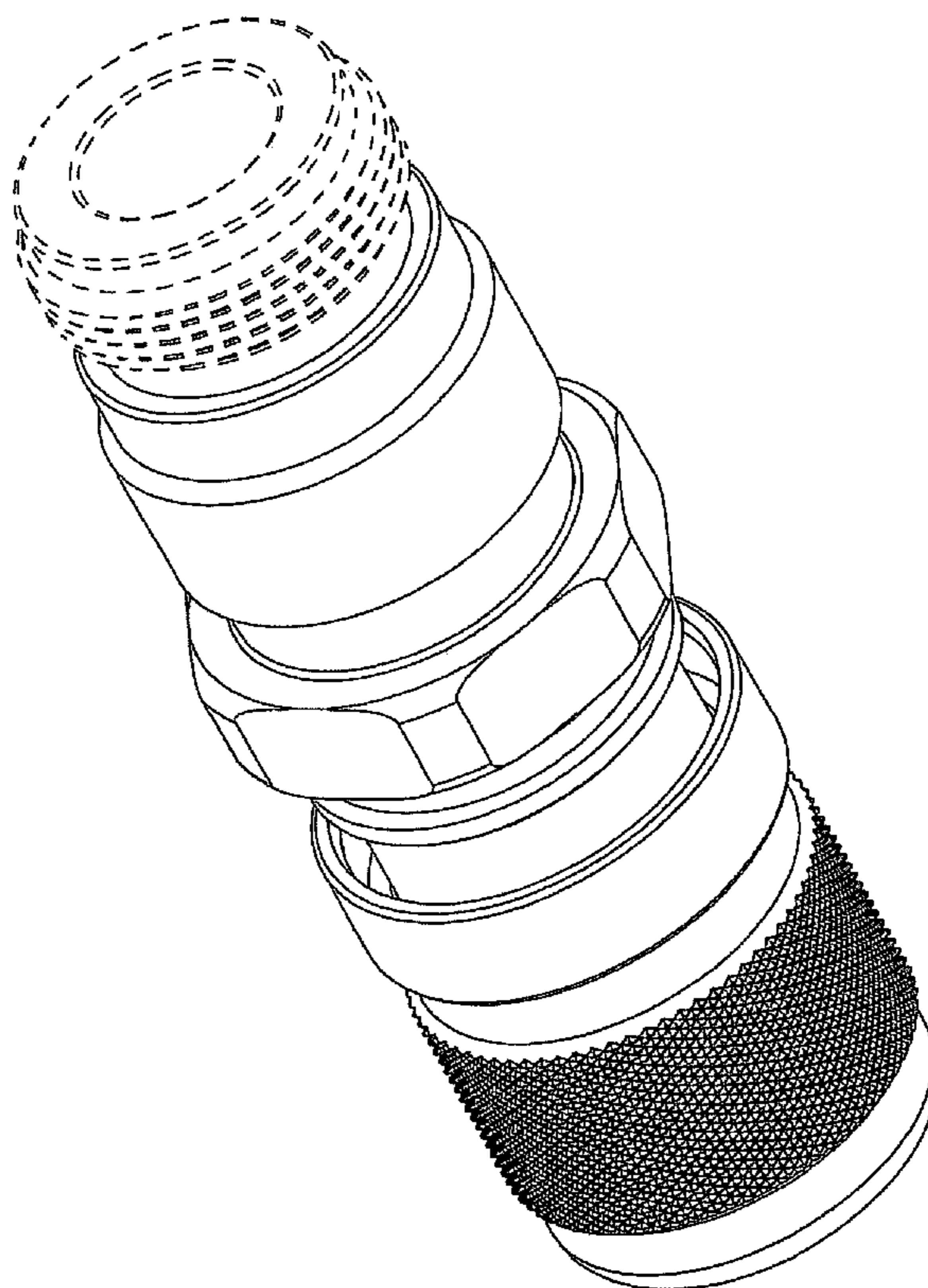
FIG. 2 is a side elevation view thereof, with the opposite side elevation being a mirror image thereto;

FIG. 3. is a top plan view thereof; and,

FIG. 4 is a bottom plan view thereof.

The broken line showing unclaimed subject matter of the internal elements and the top threaded portion of the connector is for illustrative purposes only and forms no part of the claimed design.

1 Claim, 4 Drawing Sheets



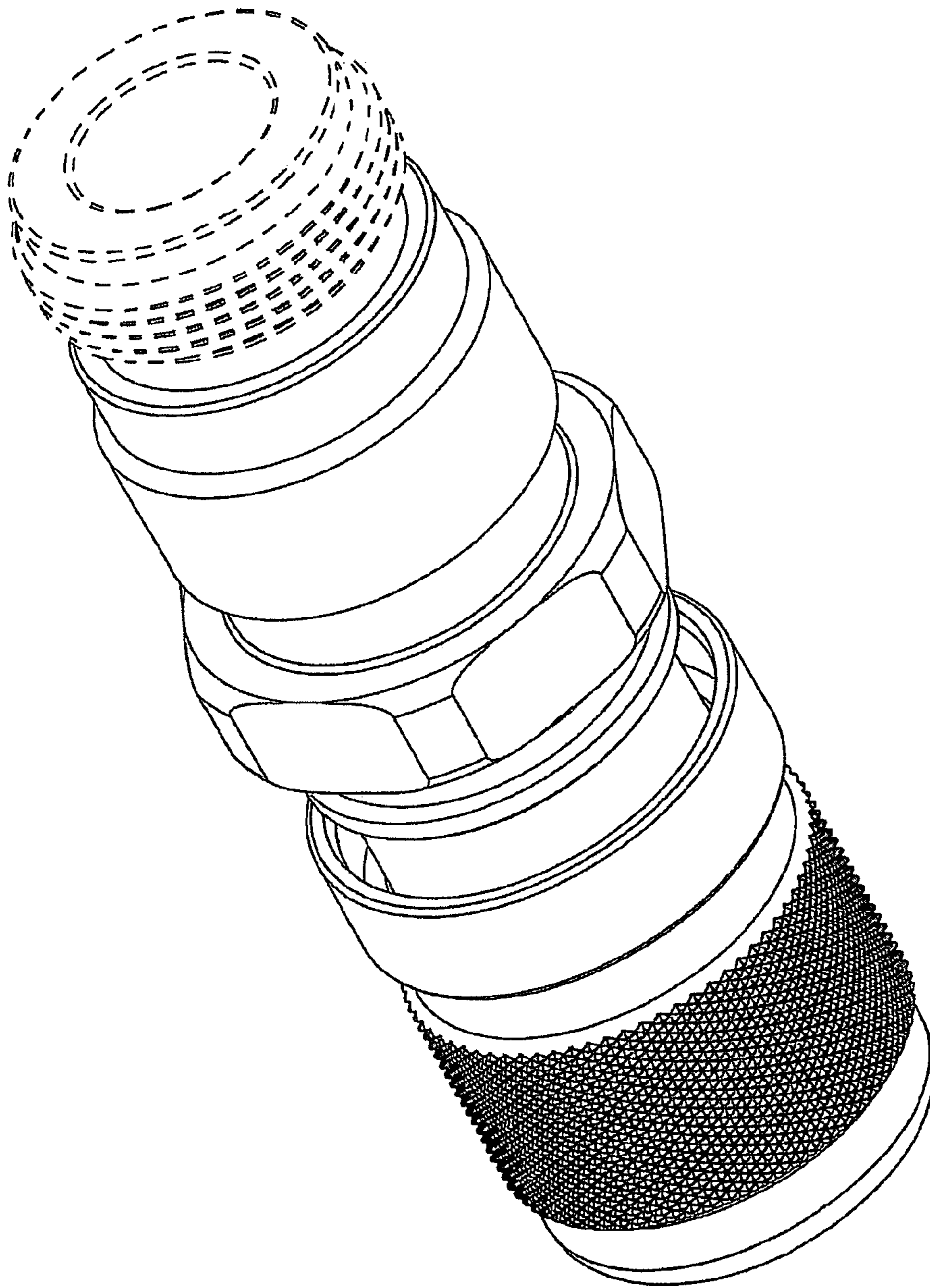


FIG. 1

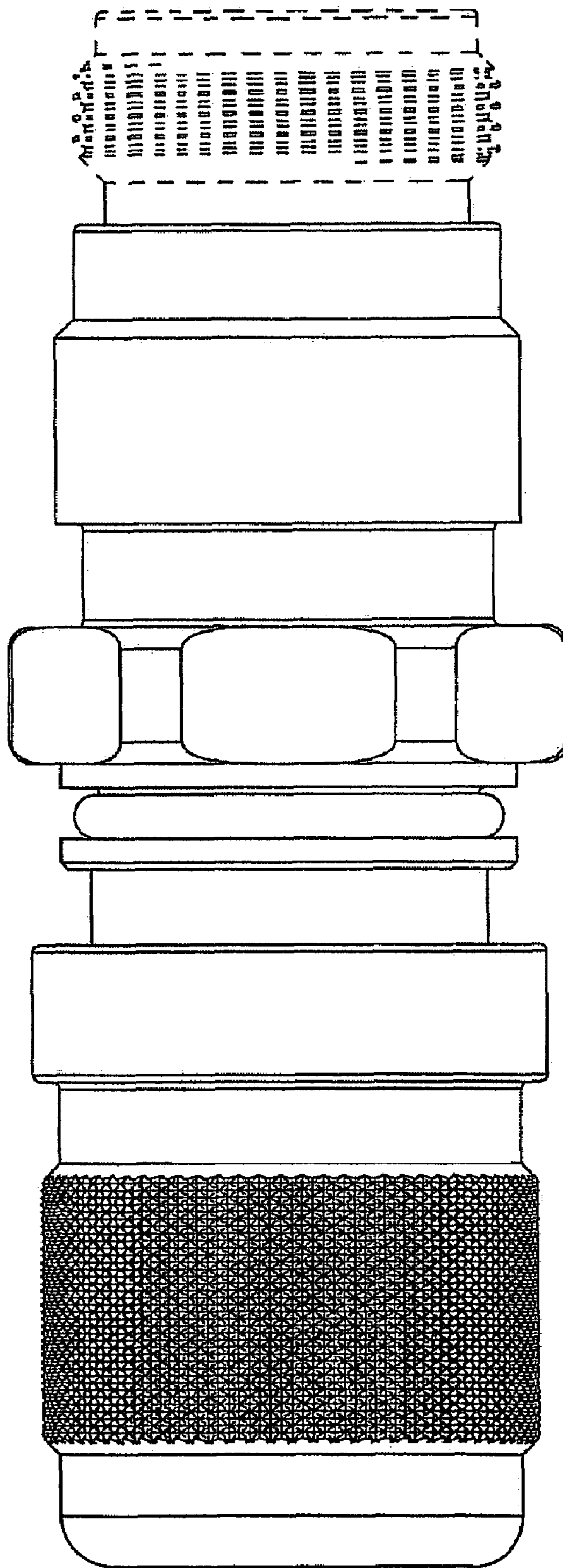


FIG. 2

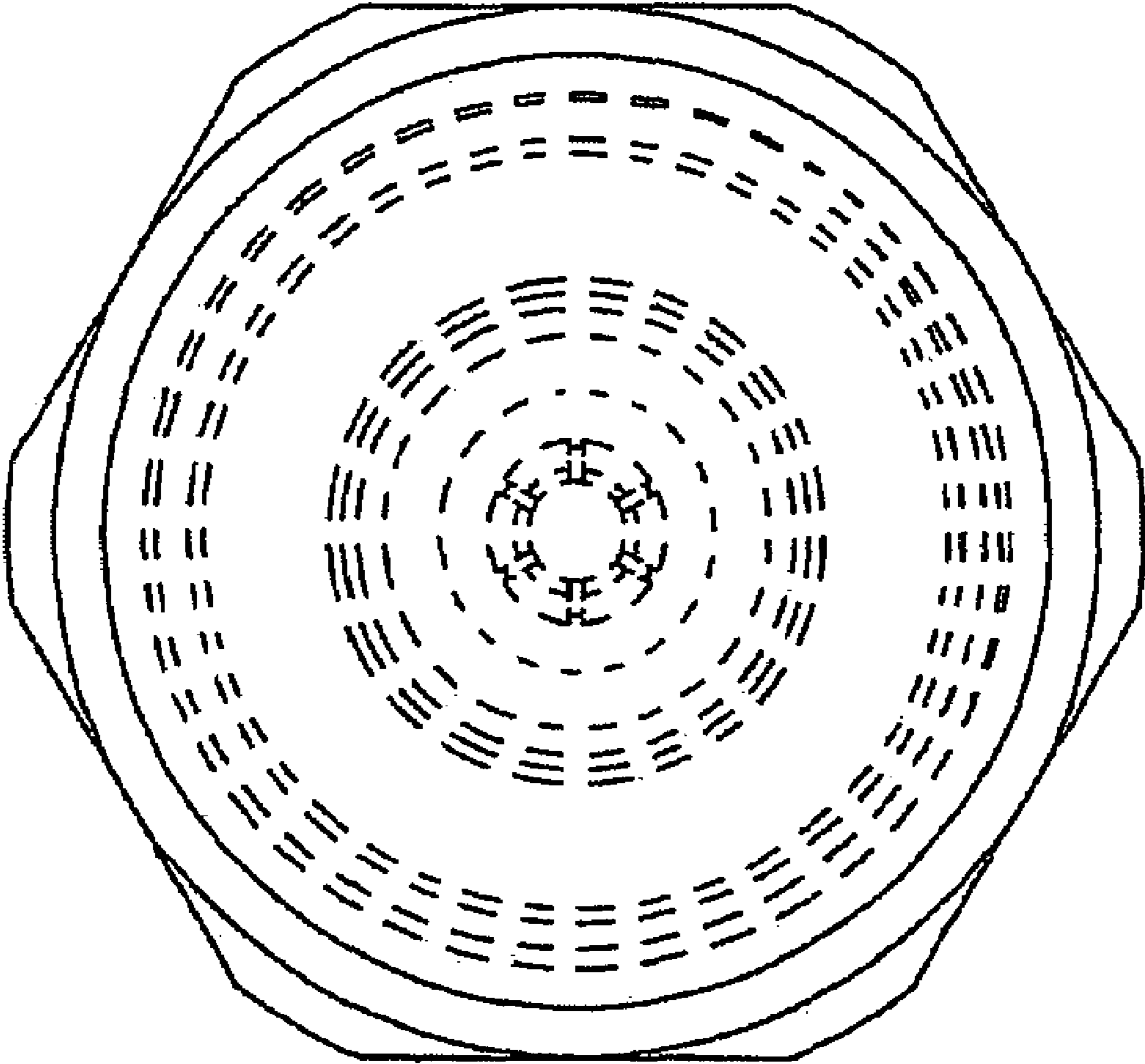


FIG. 3

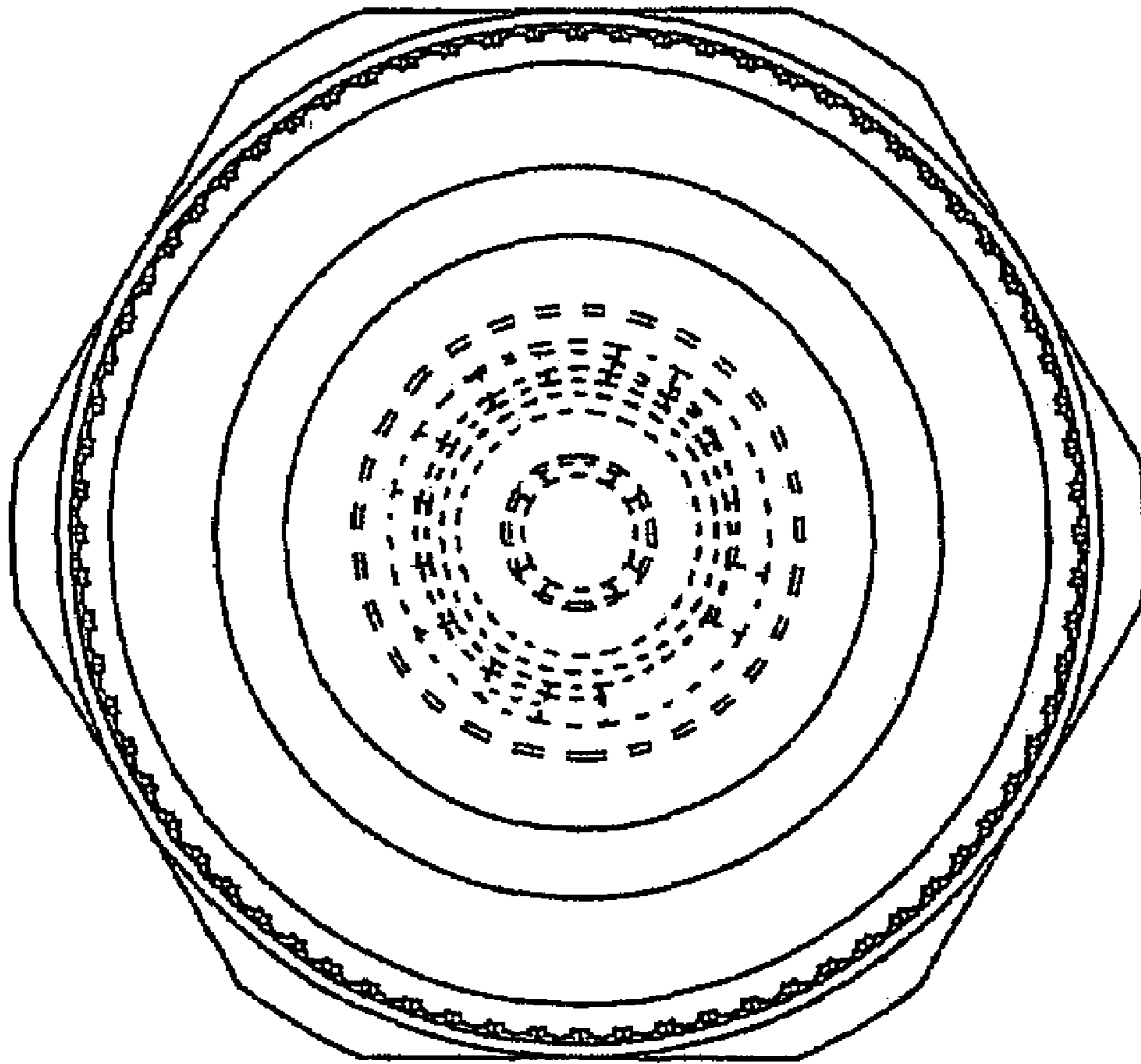


FIG. 4