



US00D577680S

(12) **United States Design Patent**  
**Shen et al.**

(10) **Patent No.:** **US D577,680 S**

(45) **Date of Patent:** **\*\* Sep. 30, 2008**

(54) **ELECTRICAL CONNECTOR**

D490,377 S \* 5/2004 Sato ..... D13/147  
D513,494 S \* 1/2006 Huang ..... D13/147  
D517,489 S \* 3/2006 Kawase et al. .... D13/147

(75) Inventors: **Guo-Jian Shen**, Kunshan (CN); **Koichi Iino**, Yokohama (JP)

\* cited by examiner

(73) Assignee: **Hon Hai Precision Ind. Co., Ltd.**,  
Taipei Hsien (TW)

*Primary Examiner*—Daniel D Bui

(74) *Attorney, Agent, or Firm*—Wei Te Chung

(\*\*) Term: **14 Years**

(57) **CLAIM**

(21) Appl. No.: **29/291,293**

The ornamental design for an electrical connector, as shown.

(22) Filed: **Aug. 22, 2007**

**DESCRIPTION**

(51) **LOC (8) Cl.** ..... **13-03**

FIG. 1 is a front, top and right side perspective view of an electrical connector showing our new design;

(52) **U.S. Cl.** ..... **D13/147**

FIG. 2 is a front elevational view thereof;

(58) **Field of Classification Search** ..... D13/133,

FIG. 3 is a rear elevational view thereof;

D13/147, 153, 154, 184; 439/79, 607, 608,

FIG. 4 is a left side elevational view thereof;

439/609, 610, 660, 680, 681, 682, 686

FIG. 5 is a right side elevational view thereof;

See application file for complete search history.

FIG. 6 is a top plan view thereof; and,

(56) **References Cited**

FIG. 7 is a bottom plan view thereof.

**U.S. PATENT DOCUMENTS**

The broken line showing unclaimed internal elements is for illustrative purposes only and forms no part of the claimed design.

D409,571 S \* 5/1999 Sato et al. .... D13/147

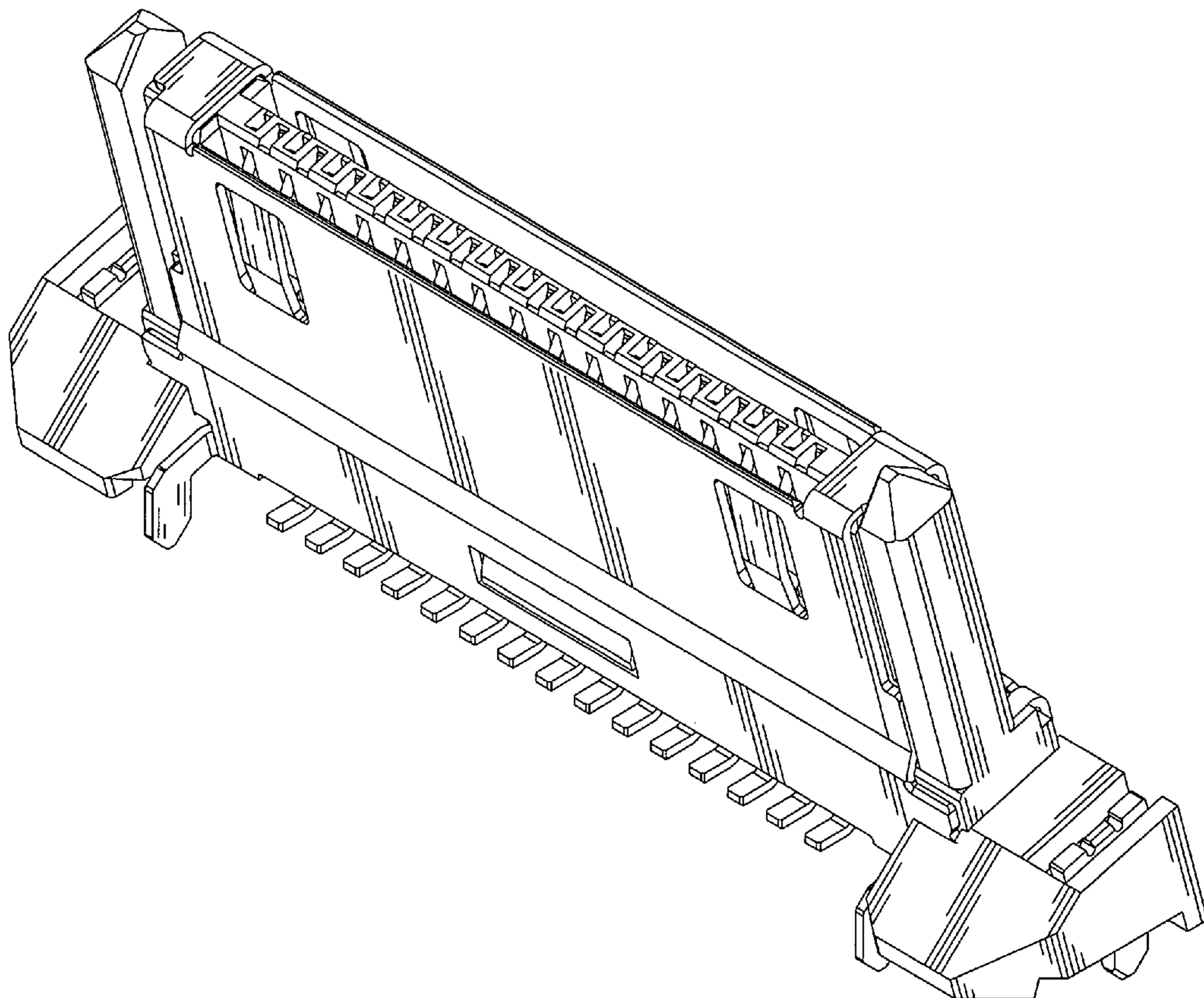
D455,127 S \* 4/2002 Wu ..... D13/147

D488,447 S \* 4/2004 Kuroki ..... D13/147

D489,039 S \* 4/2004 Kawase et al. .... D13/147

D489,687 S \* 5/2004 Kawase et al. .... D13/147

**1 Claim, 7 Drawing Sheets**



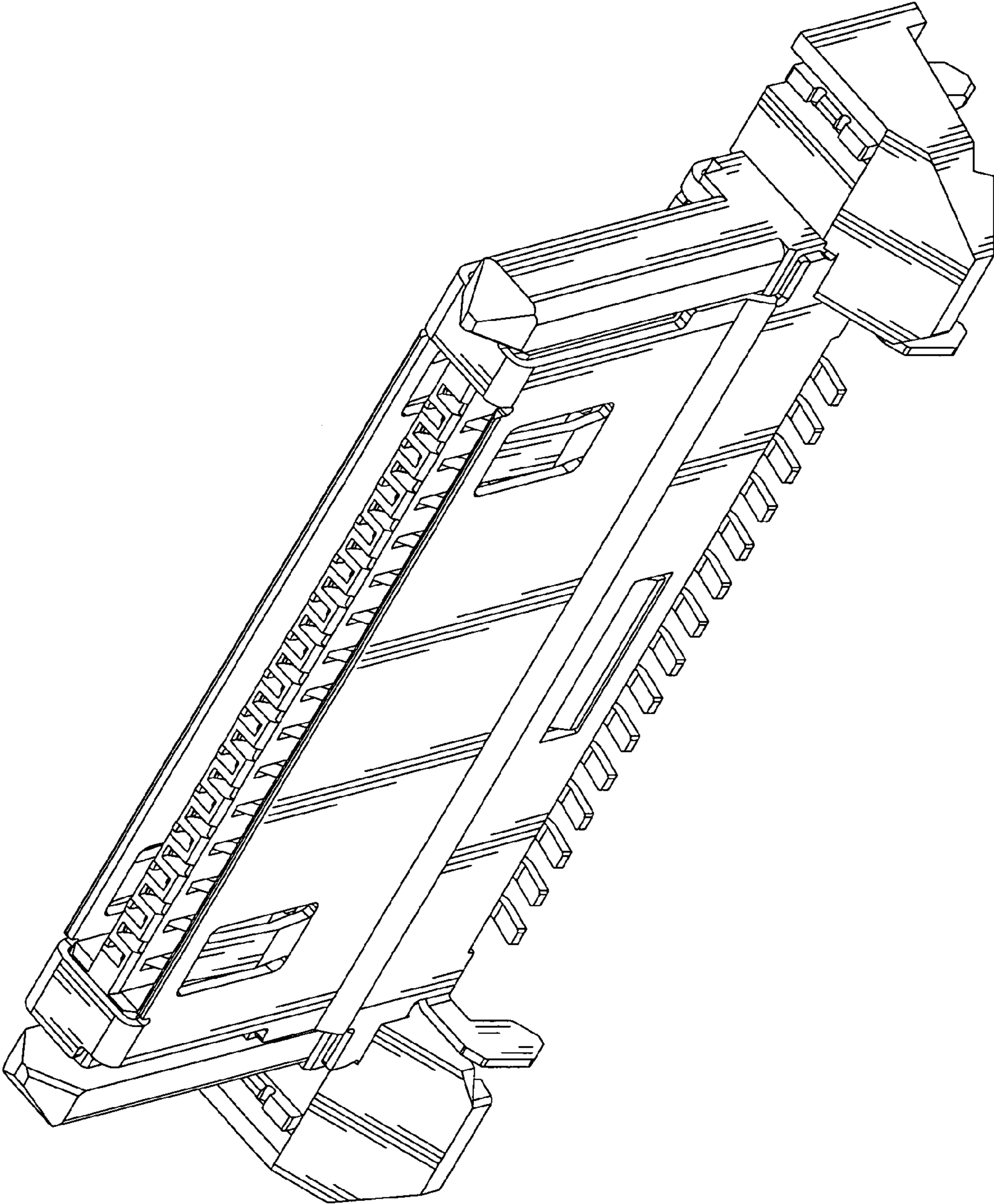


FIG. 1

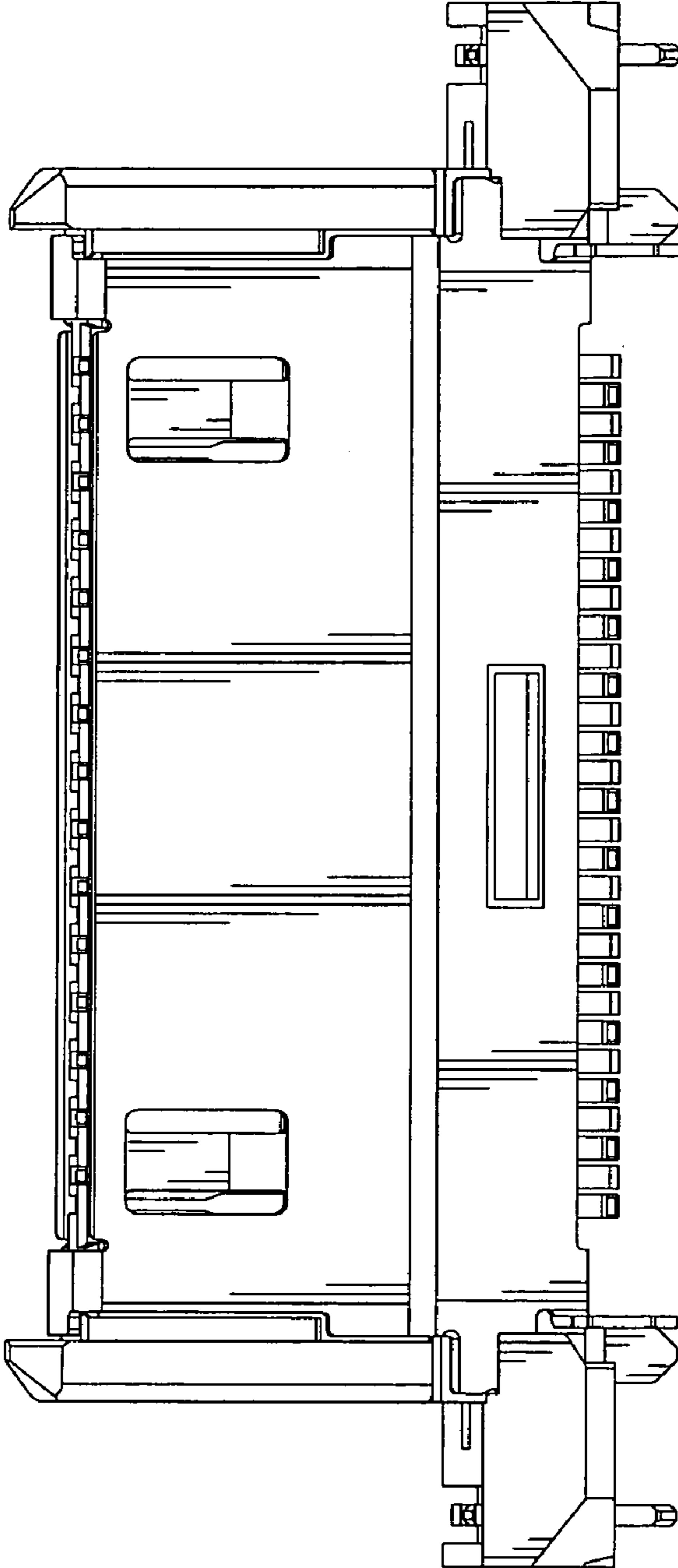


FIG. 2

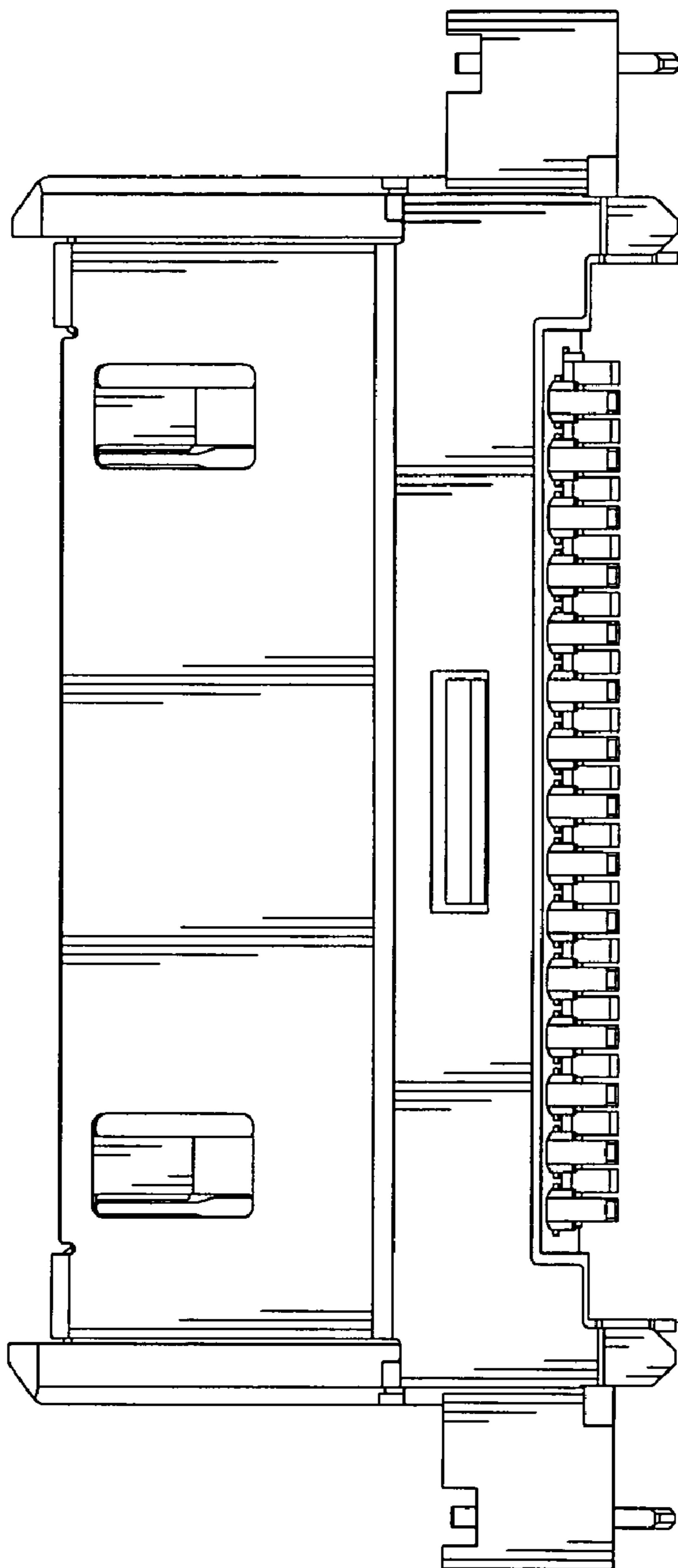


FIG. 3

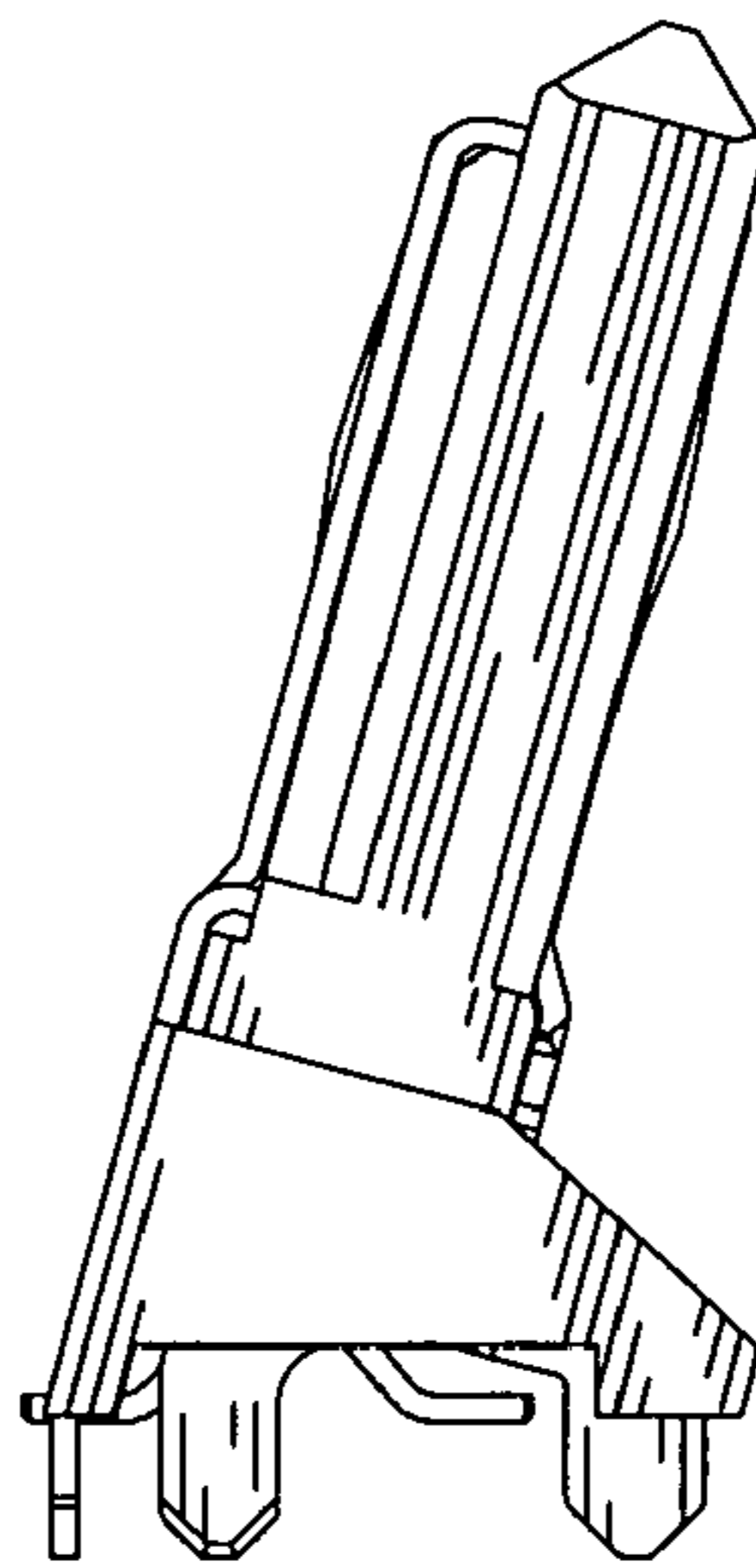


FIG. 4

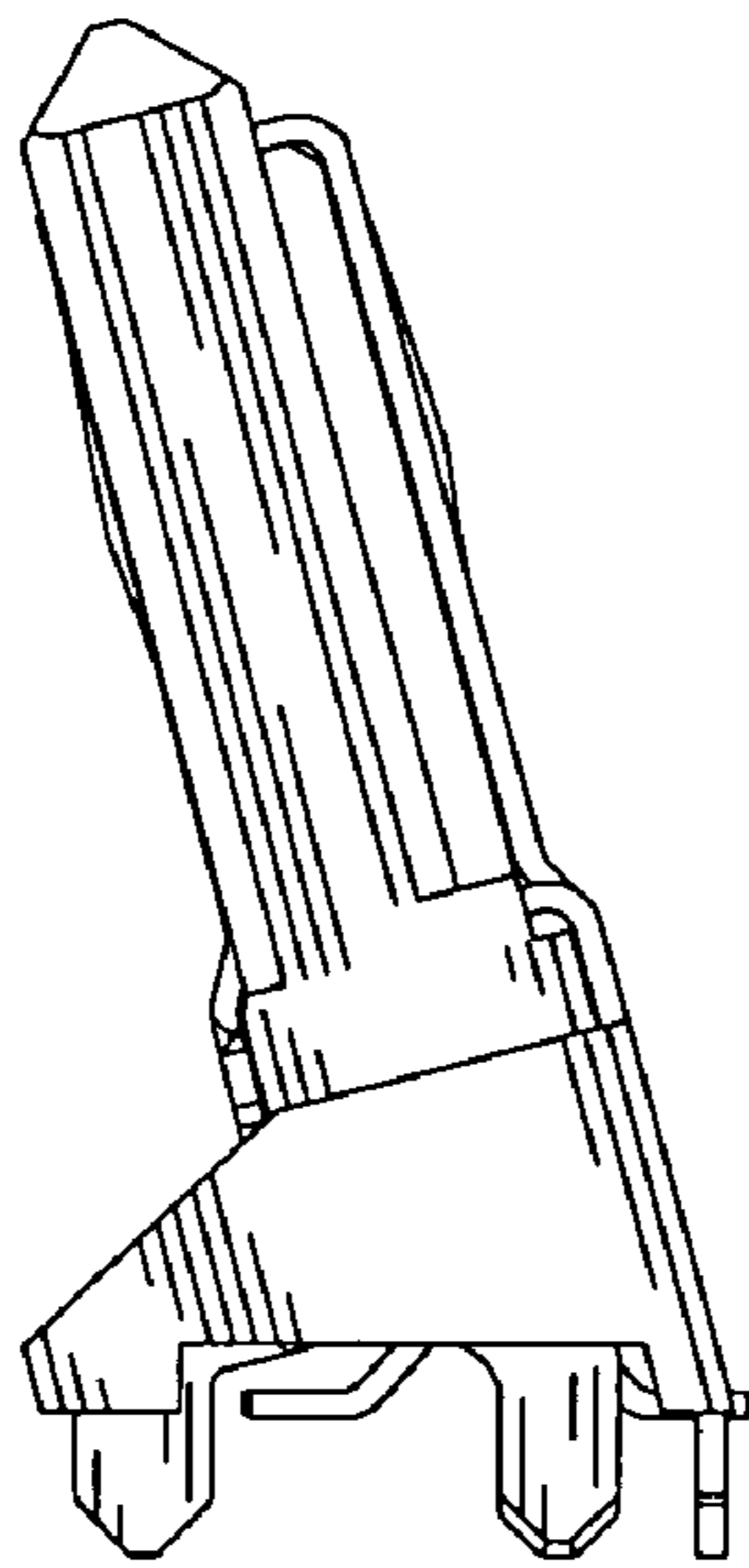


FIG. 5

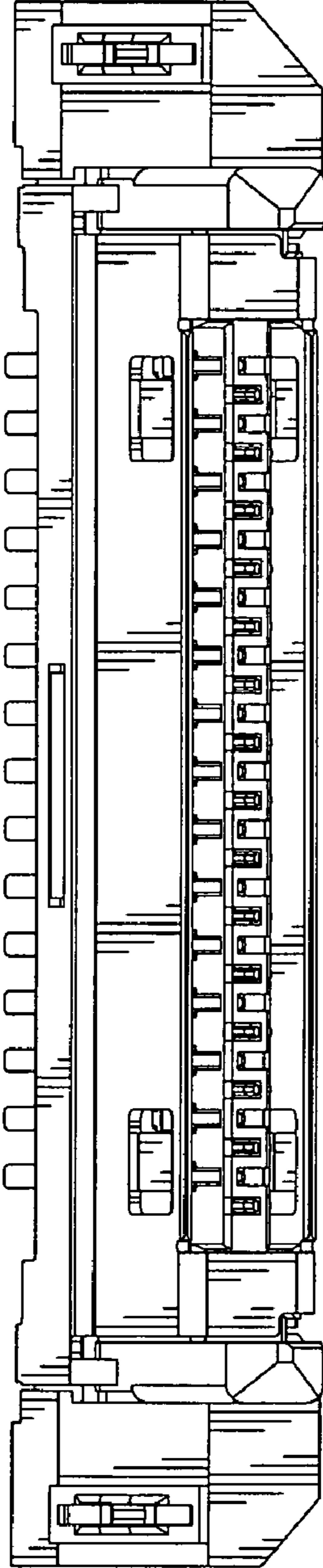


FIG. 6

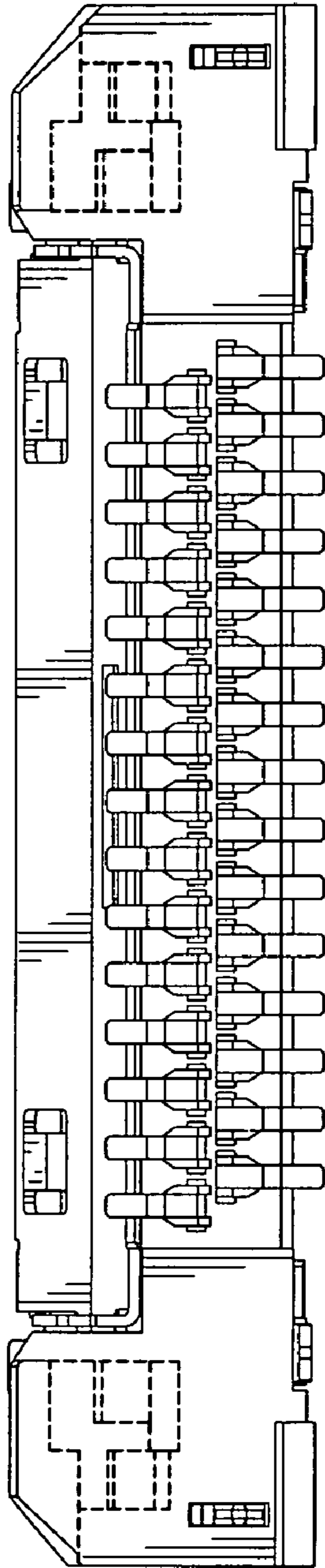


FIG. 7