



US00D577677S

(12) **United States Design Patent**  
**Li et al.**

(10) **Patent No.:** **US D577,677 S**  
(45) **Date of Patent:** **\*\* Sep. 30, 2008**

(54) **ELECTRICAL CONNECTOR**

(75) Inventors: **Xue Li**, Kunshan (CN); **Hong-Qiang Han**, Kunshan (CN); **Zi-Qiang Zhu**, Kunshan (CN)

(73) Assignee: **Hon Hai Precision Ind. Co., Ltd.**, Taipei Hsien (TW)

(\*\*) Term: **14 Years**

(21) Appl. No.: **29/293,611**

(22) Filed: **Dec. 4, 2007**

(30) **Foreign Application Priority Data**

Jun. 19, 2007 (CN) ..... 2007 3 0040037

(51) **LOC (8) Cl.** ..... **13-03**

(52) **U.S. Cl.** ..... **D13/133**

(58) **Field of Classification Search** ..... D13/133,  
D13/146, 147, 154, 184; 439/607-610, 660,  
439/668, 892, 894

See application file for complete search history.

(56) **References Cited**

**U.S. PATENT DOCUMENTS**

5,797,768 A \* 8/1998 Francaviglia ..... 439/567

D431,528 S \* 10/2000 Zhu et al. .... D13/133

D536,667 S \* 2/2007 Chine et al. .... D13/133  
D556,137 S \* 11/2007 Lin et al. .... D13/133  
D558,674 S \* 1/2008 Lin et al. .... D13/133  
2008/0050977 A1 \* 2/2008 Lee et al. .... 439/668

\* cited by examiner

*Primary Examiner*—Daniel D Bui

(74) *Attorney, Agent, or Firm*—Wei Te Chung

(57) **CLAIM**

The ornamental design for an electrical connector, as shown and described.

**DESCRIPTION**

FIG. 1 is a front, top and left side perspective view of an electrical connector showing our new design;

FIG. 2 is a front elevational view thereof;

FIG. 3 is a rear elevational view thereof;

FIG. 4 is a left side elevational view thereof;

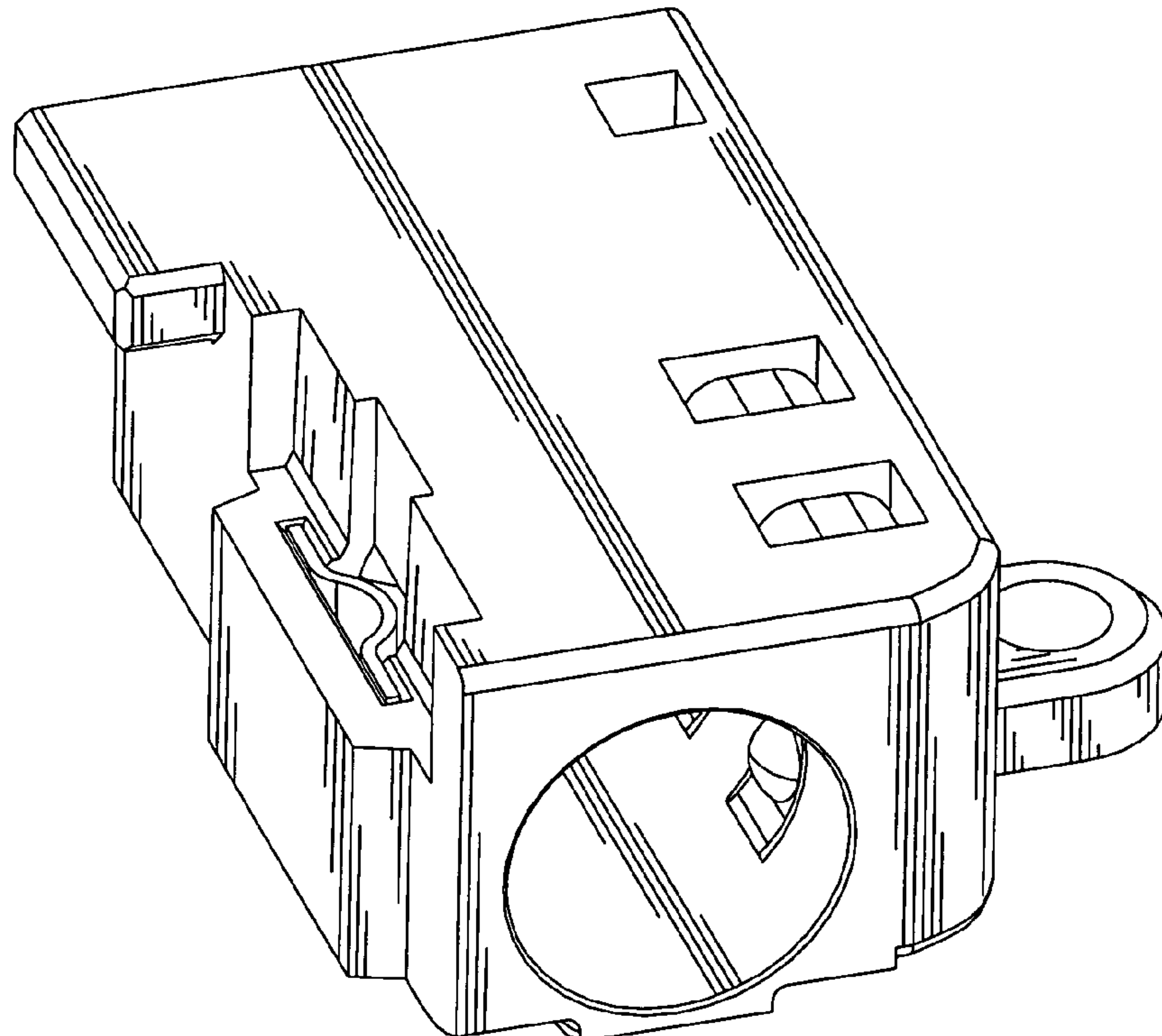
FIG. 5 is a right side elevational view thereof;

FIG. 6 is a top plan view thereof; and,

FIG. 7 is a bottom plan view thereof.

The broken line showing unclaimed subject matter of the internal elements of the connector is for illustrative purposes only and forms no part of the claimed design.

**1 Claim, 7 Drawing Sheets**



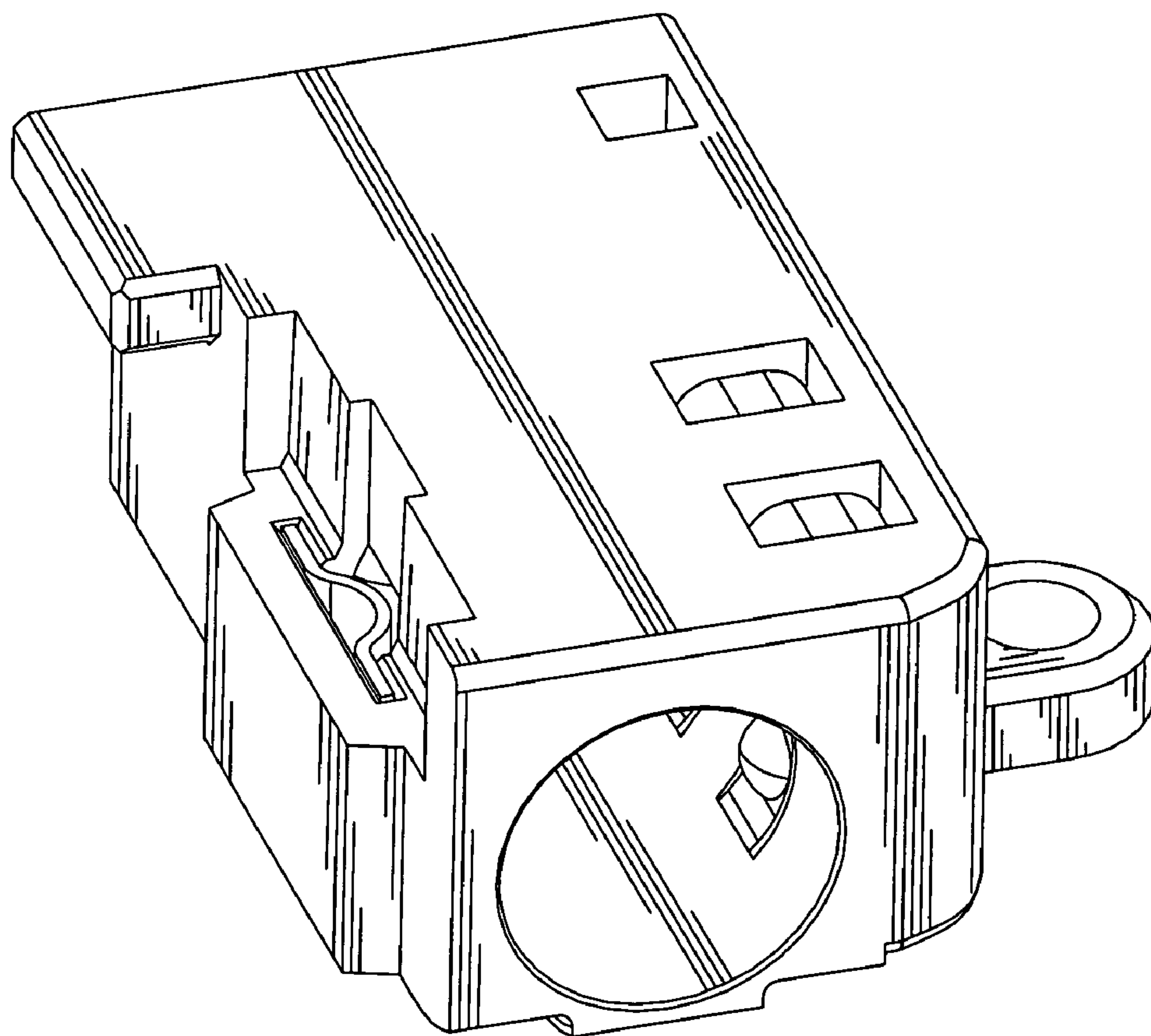


FIG. 1

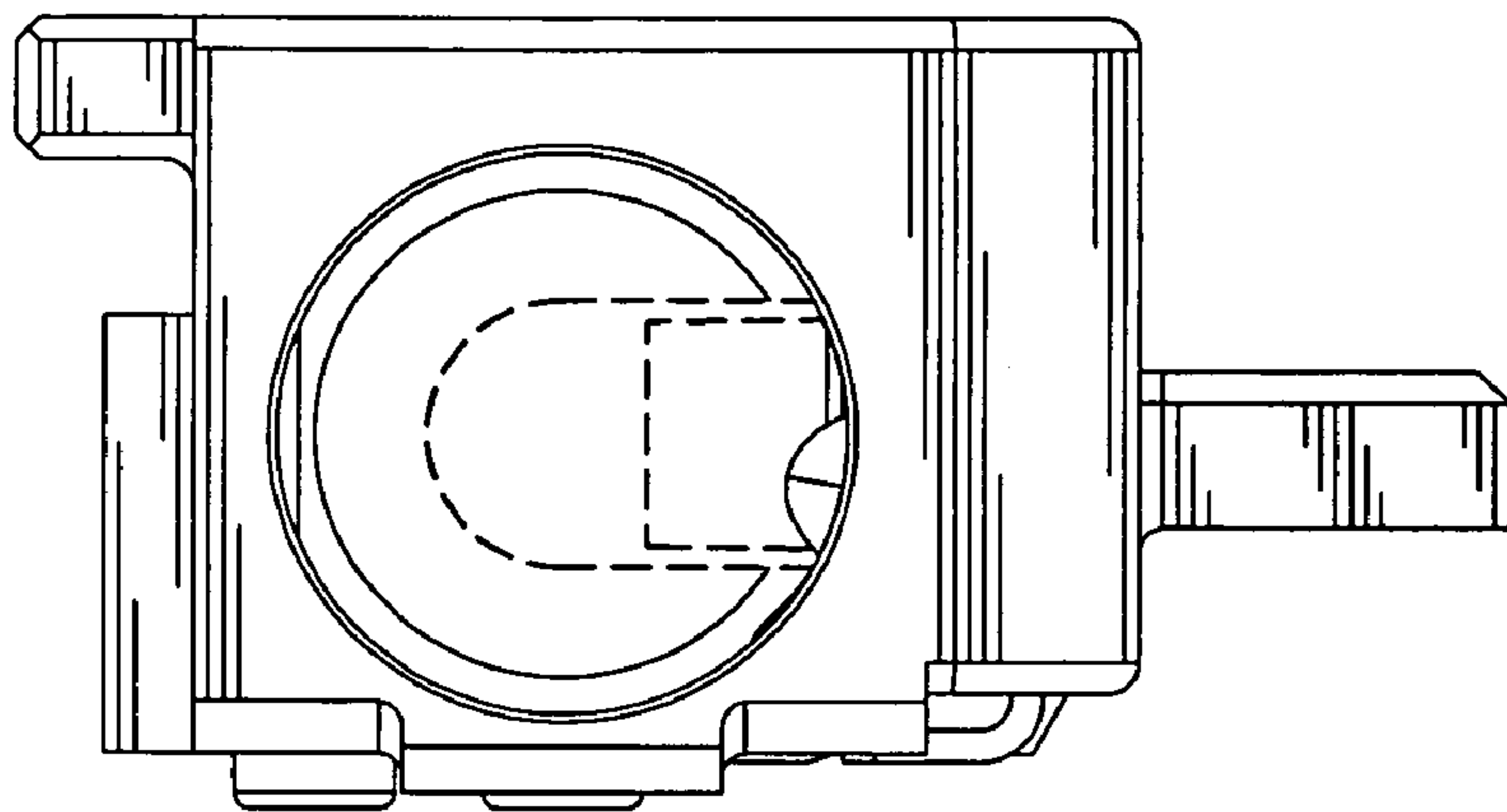


FIG. 2

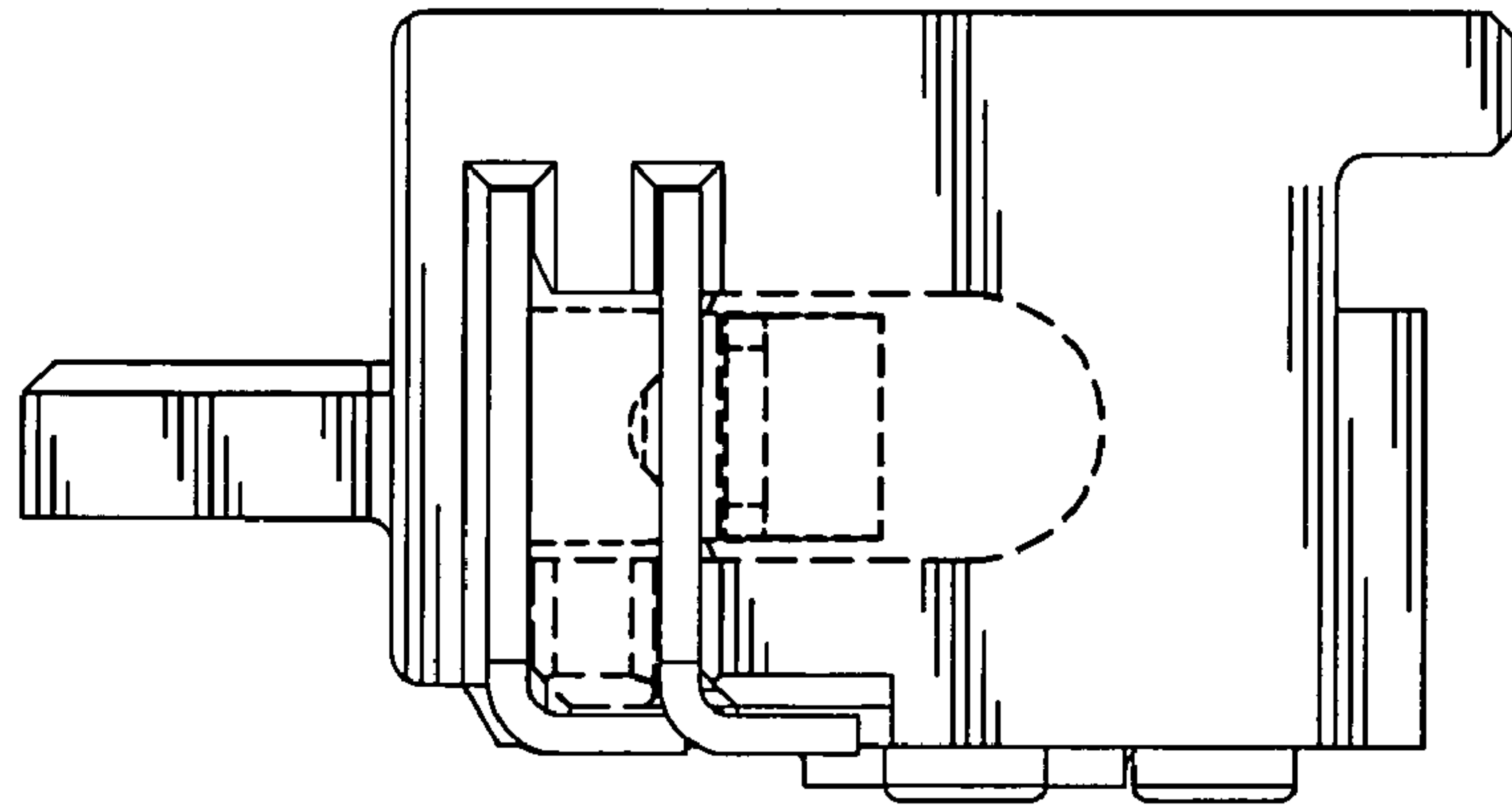


FIG. 3

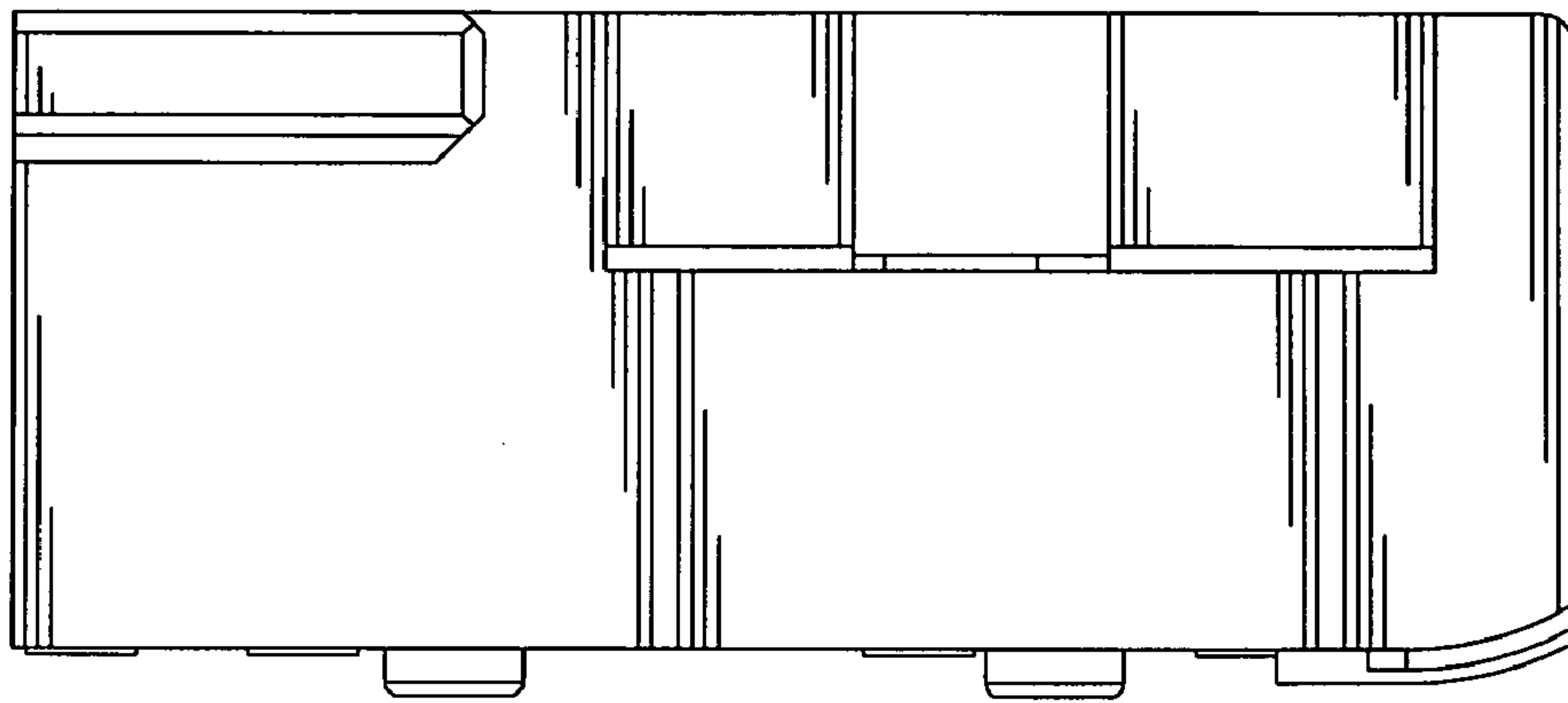


FIG. 4

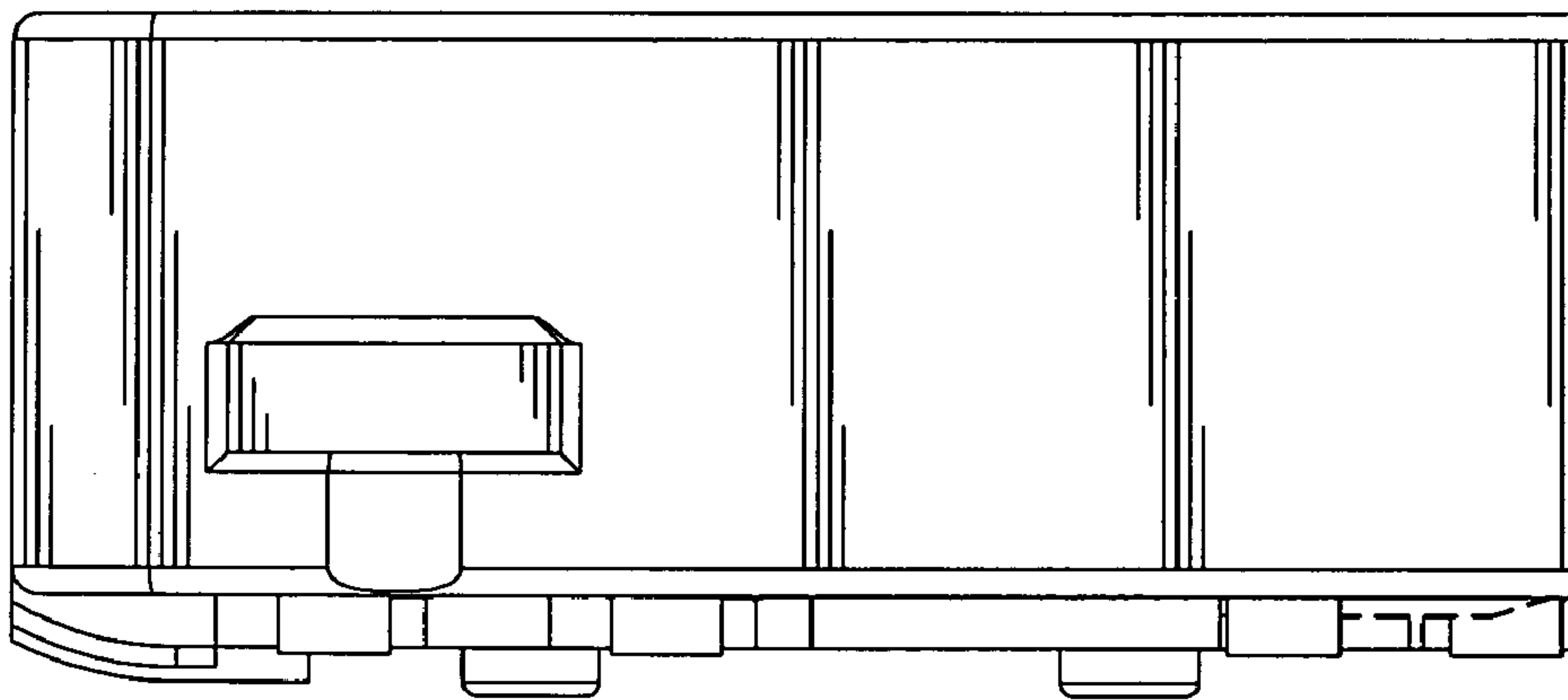


FIG. 5

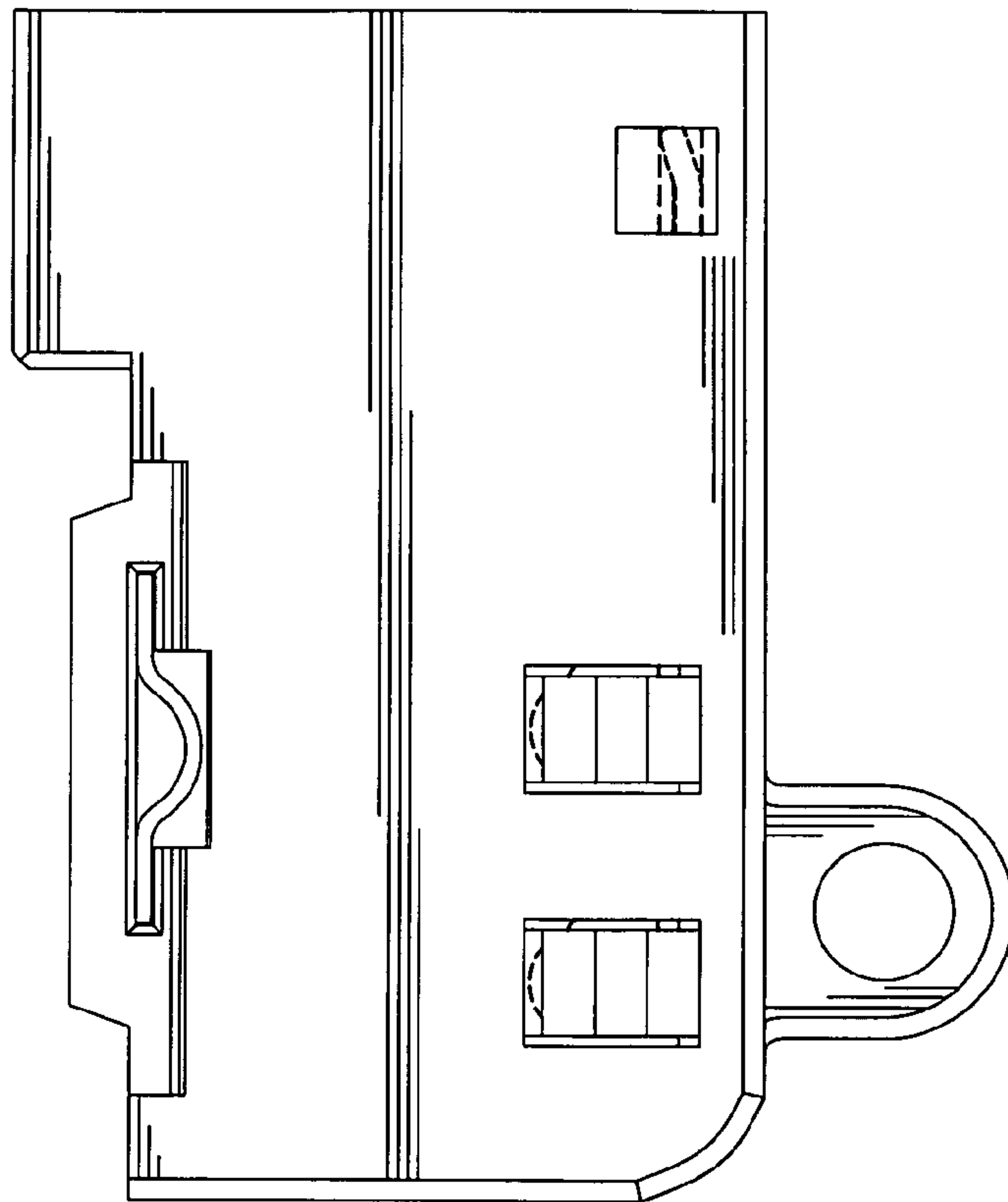


FIG. 6

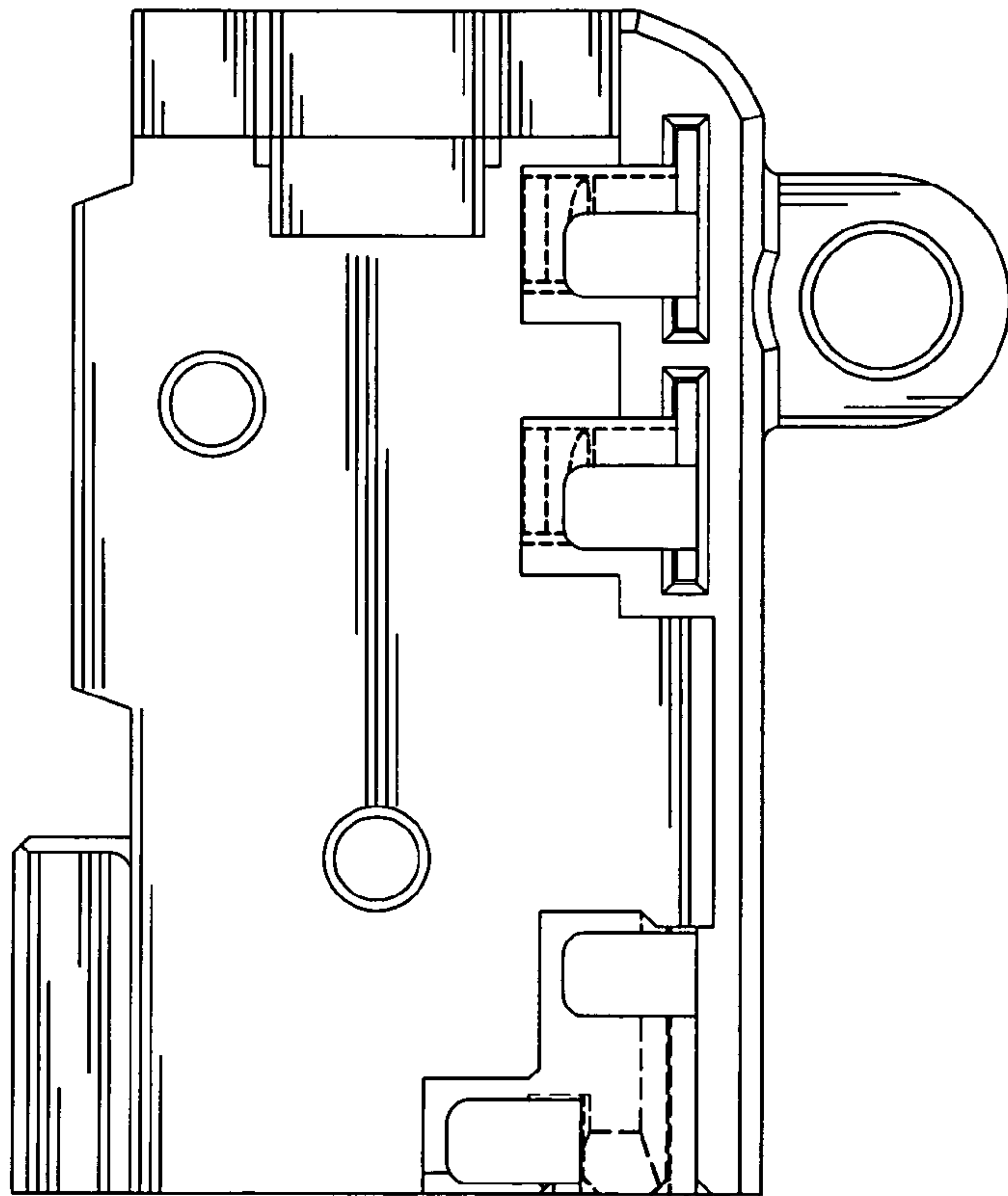


FIG. 7