



US00D577676S

(12) **United States Design Patent**
Münch et al.

(10) **Patent No.:** **US D577,676 S**

(45) **Date of Patent:** **** Sep. 30, 2008**

(54) **Z-CONNECTOR**

(75) Inventors: **Markus Münch**, Coswig (DE); **Florian Zschoge**, Dresden (DE)

(73) Assignee: **Solarwatt AG**, Dresden (DE)

(**) Term: **14 Years**

(21) Appl. No.: **29/293,440**

(22) Filed: **Nov. 26, 2007**

(51) **LOC (8) Cl.** **13-03**

(52) **U.S. Cl.** **D13/133; D13/154**

(58) **Field of Classification Search** D13/133,
D13/154, 184, 199; 136/244, 256; 439/66,
439/62, 65, 82, 83, 567, 636, 660, 682, 856,
439/857, 862

See application file for complete search history.

(56) **References Cited**

U.S. PATENT DOCUMENTS

D218,099 S * 7/1970 Lynch et al. D13/133
4,998,886 A * 3/1991 Werner 439/66
5,069,627 A * 12/1991 Buck et al. 439/66

5,230,632 A * 7/1993 Baumberger et al. 439/66
5,324,205 A * 6/1994 Ahmad et al. 439/66
5,653,598 A * 8/1997 Grabbe 439/66
D514,522 S * 2/2006 Chiang et al. D13/154
7,160,115 B2 * 1/2007 Huang et al. 439/66
7,186,119 B2 * 3/2007 Perugini 439/66
2005/0048806 A1 * 3/2005 Li 439/66
2005/0208786 A1 * 9/2005 Dittmann 439/66
2005/0208788 A1 * 9/2005 Dittmann 439/66
2005/0250353 A1 * 11/2005 Soh 439/66

* cited by examiner

Primary Examiner—Daniel D Bui

(74) *Attorney, Agent, or Firm*—Horst M. Kasper

(57) **CLAIM**

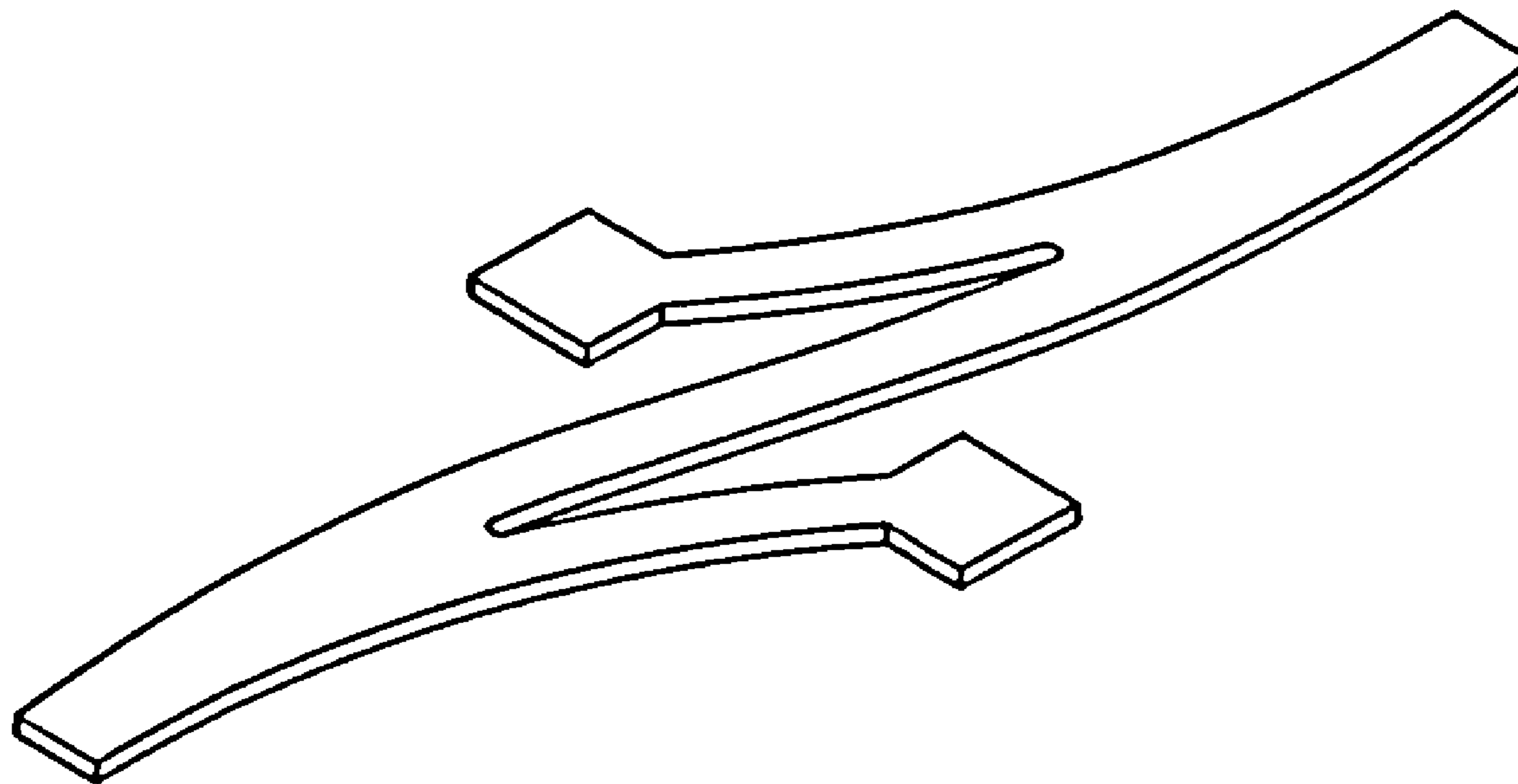
The ornamental design for a z-connector, as shown and described.

DESCRIPTION

FIG. 1 is a top plan view of a z-connector showing our new design; and,

FIG. 2 is a top perspective view thereof.

1 Claim, 1 Drawing Sheet



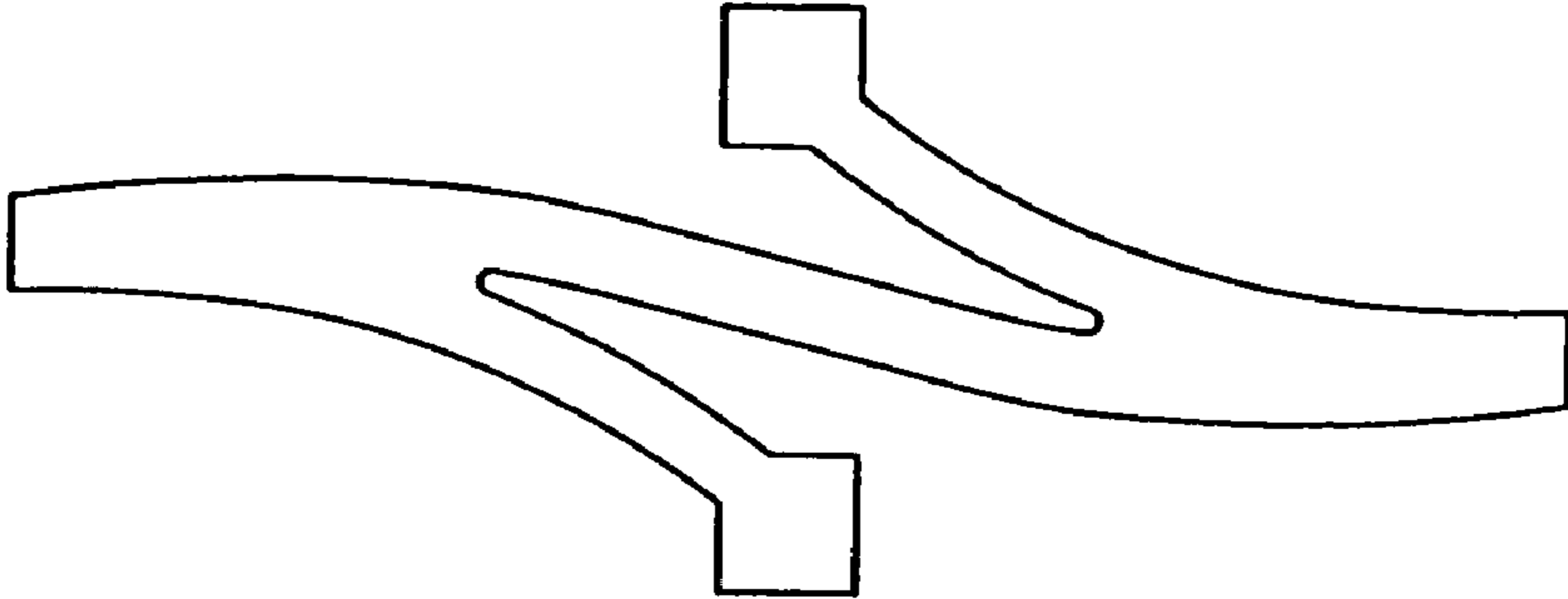


Fig.1

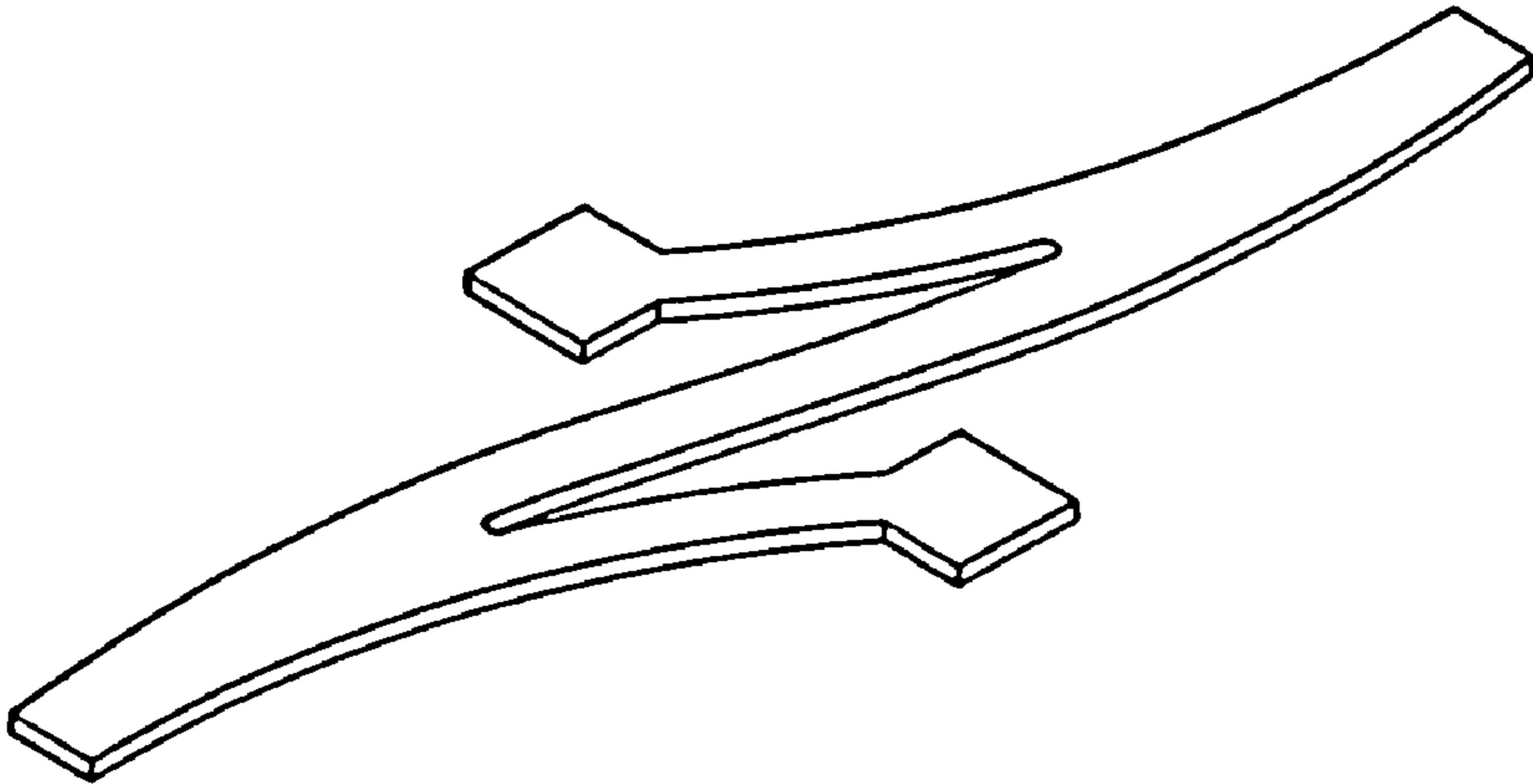


Fig.2