



US00D577675S

(12) **United States Design Patent**  
**Wang et al.**

(10) **Patent No.:** **US D577,675 S**  
(45) **Date of Patent:** **\*\* Sep. 30, 2008**

(54) **ELECTRICAL CONNECTOR**

(75) Inventors: **Chen-Xi Wang**, Kunshan (CN);  
**Hong-Qiang Han**, Kunshan (CN);  
**Zi-Qiang Zhu**, Kunshan (CN)

(73) Assignee: **Hon Hai Precision Ind. Co., Ltd.**,  
Taipei Hsien (TW)

(\*\*) Term: **14 Years**

(21) Appl. No.: **29/292,798**

(22) Filed: **Oct. 29, 2007**

(30) **Foreign Application Priority Data**

Apr. 27, 2007 (CN) ..... 2007 3 0032986

(51) **LOC (8) Cl.** ..... **13-03**

(52) **U.S. Cl.** ..... **D13/133**

(58) **Field of Classification Search** ..... D13/133,  
D13/146, 147, 154, 184; 439/607-610, 660,  
439/668, 892, 894

See application file for complete search history.

(56) **References Cited**

**U.S. PATENT DOCUMENTS**

5,797,768 A \* 8/1998 Francaviglia ..... 439/567  
D432,083 S \* 10/2000 Chang ..... D13/133

6,168,448 B1 \* 1/2001 Chang ..... 439/188  
D534,867 S \* 1/2007 Xue et al. .... D13/133  
2007/0072488 A1 \* 3/2007 Xue et al. .... 439/544

\* cited by examiner

*Primary Examiner*—Daniel D Bui

(74) *Attorney, Agent, or Firm*—Wei Te Chung

(57) **CLAIM**

The ornamental design for an electrical connector, as shown and described.

**DESCRIPTION**

FIG. 1 is a front, top and right side perspective view of an electrical connector showing our new design;

FIG. 2 is a front elevational view thereof;

FIG. 3 is a rear elevational view thereof;

FIG. 4 is a left side elevational view thereof;

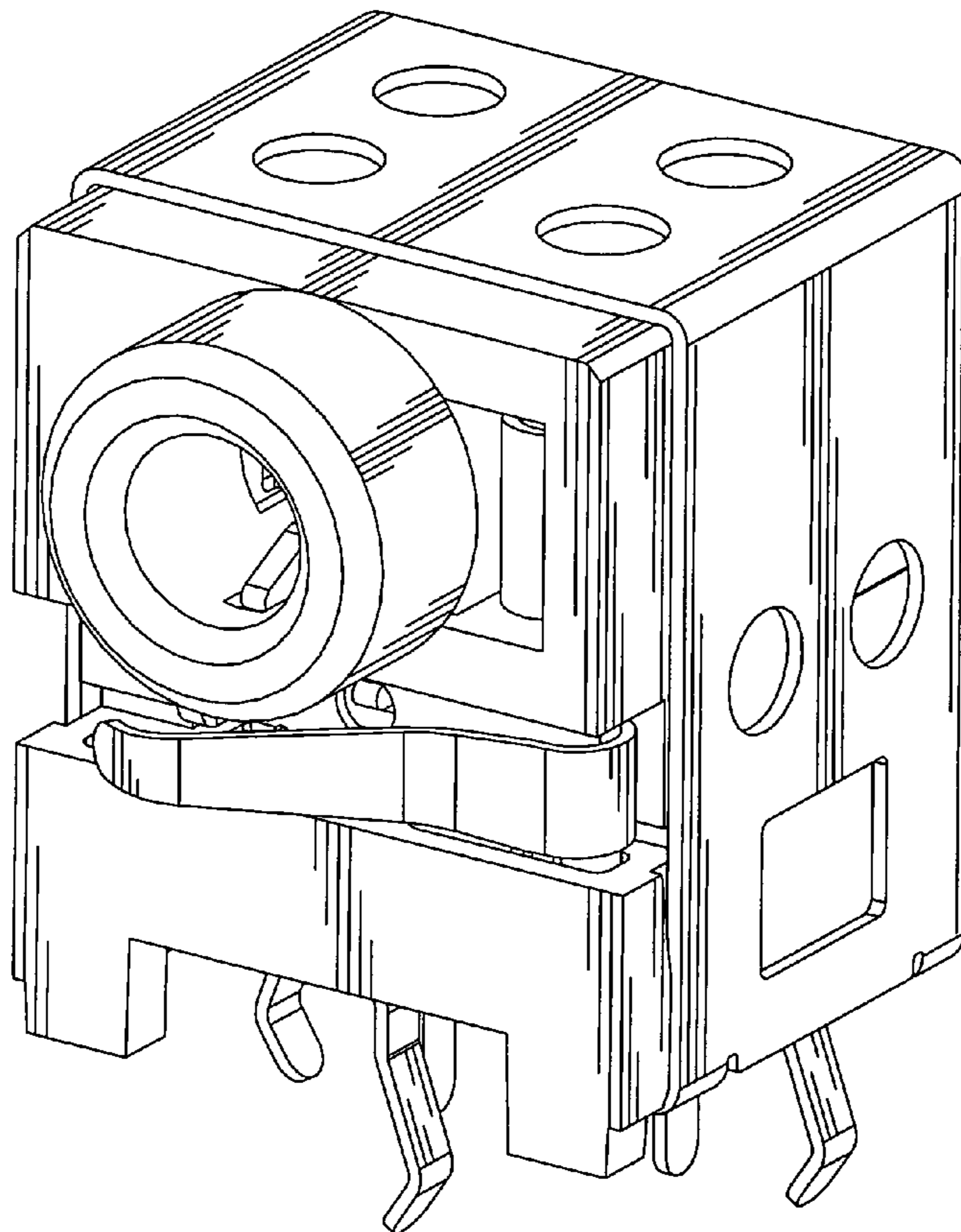
FIG. 5 is a right side elevational view thereof;

FIG. 6 is a top plan view thereof; and,

FIG. 7 is a bottom plan view thereof.

The broken line showing unclaimed subject matter of the internal elements of the connector is for illustrative purposes only and forms no part of the claimed design.

**1 Claim, 7 Drawing Sheets**



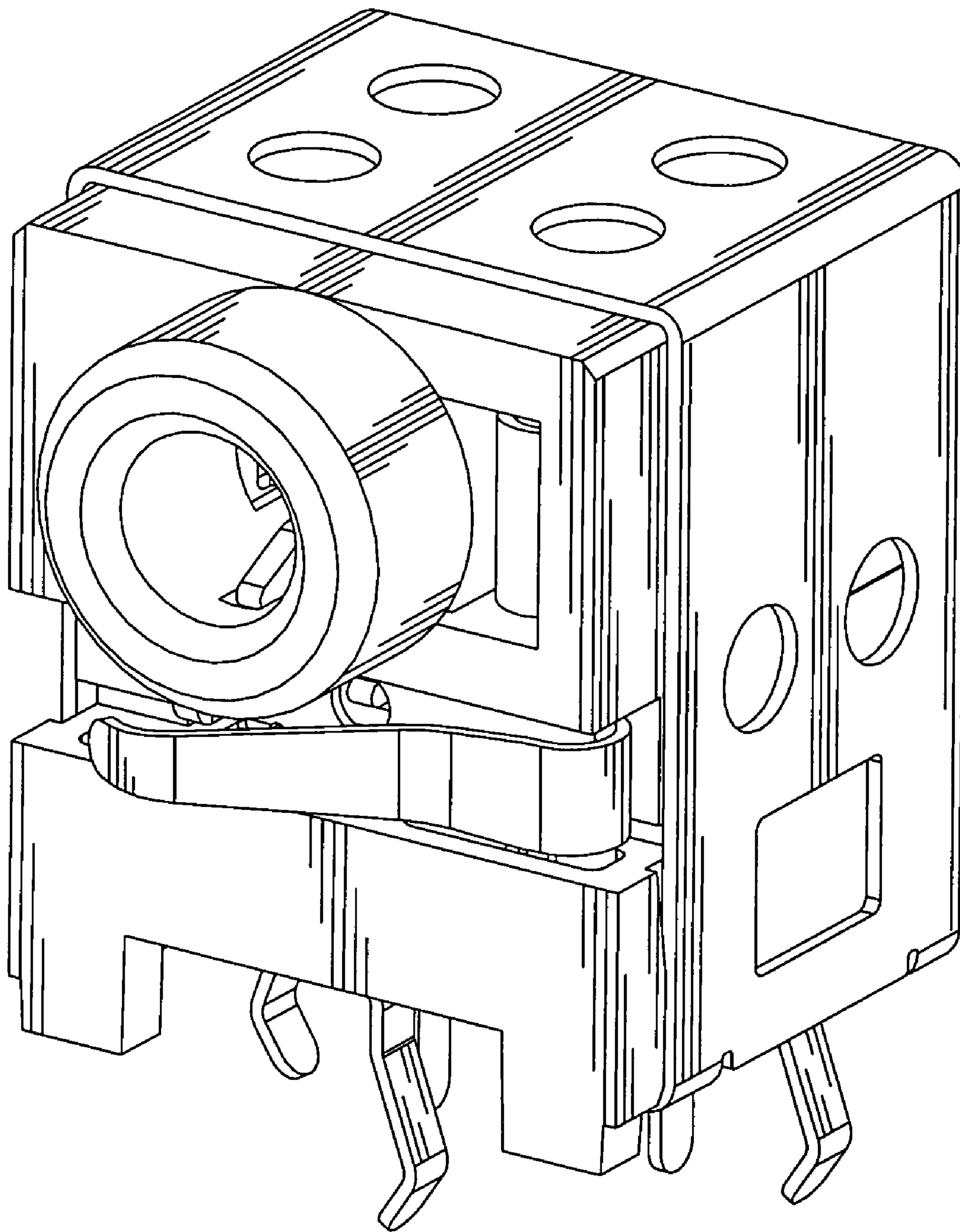


FIG. 1

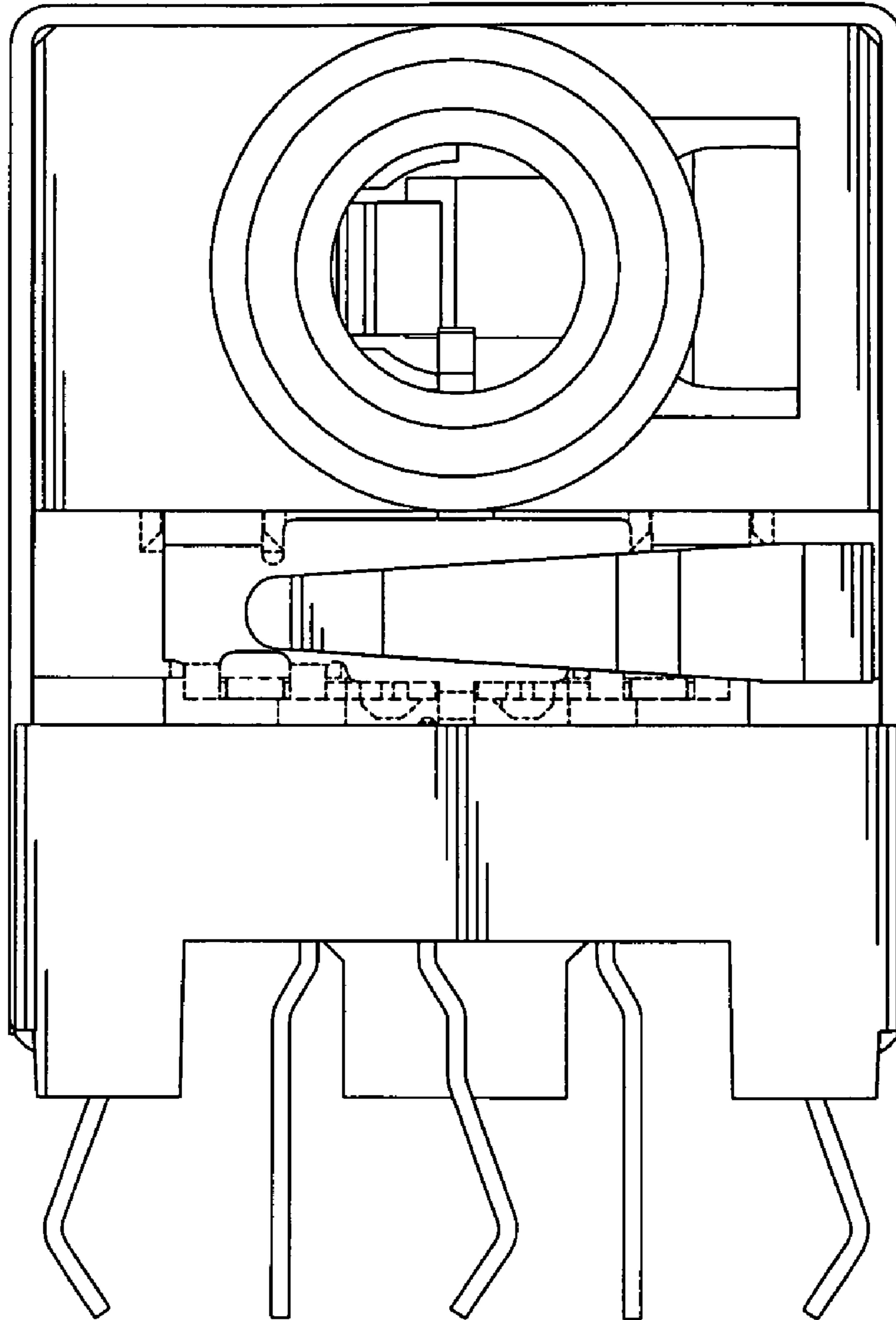


FIG. 2

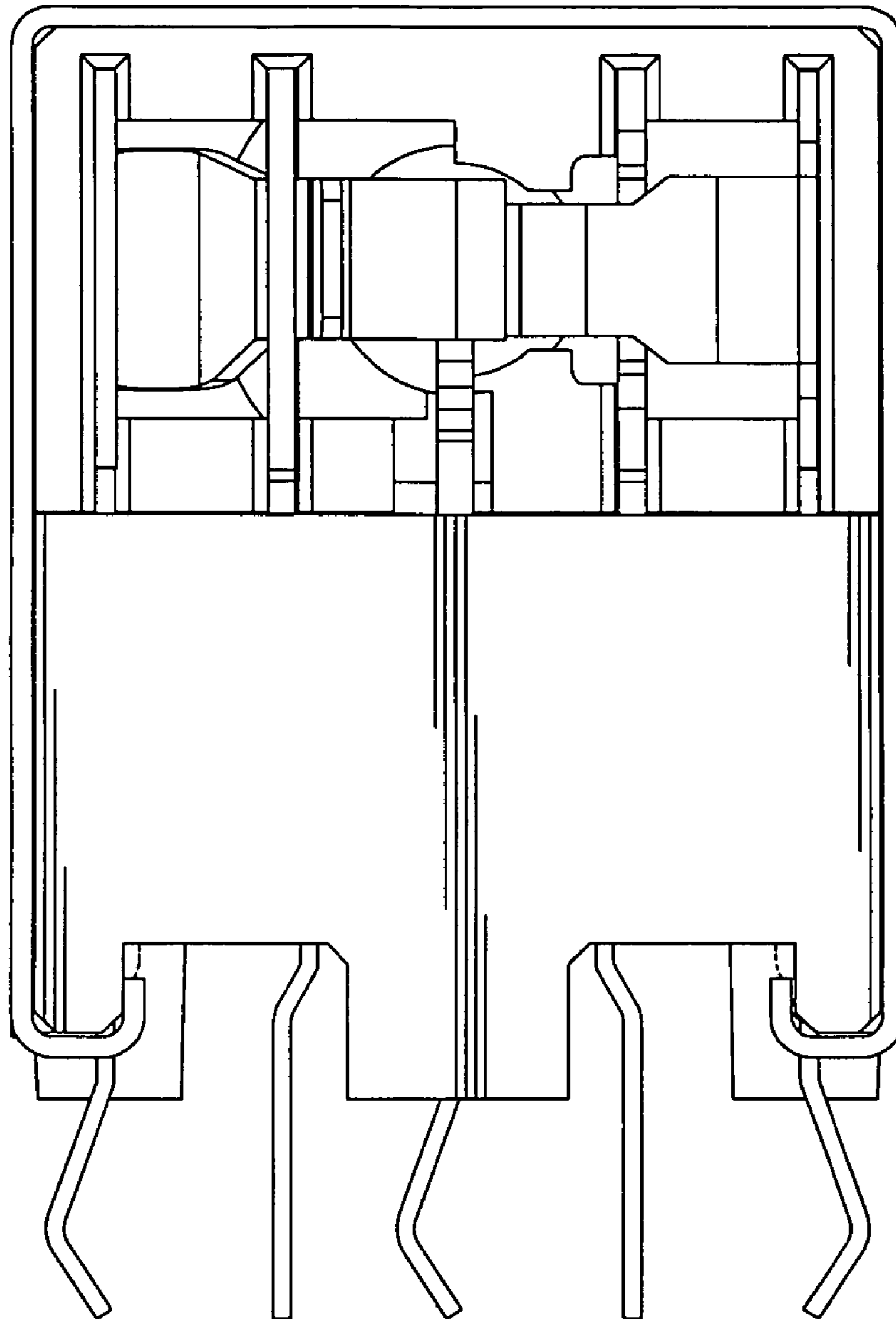


FIG. 3

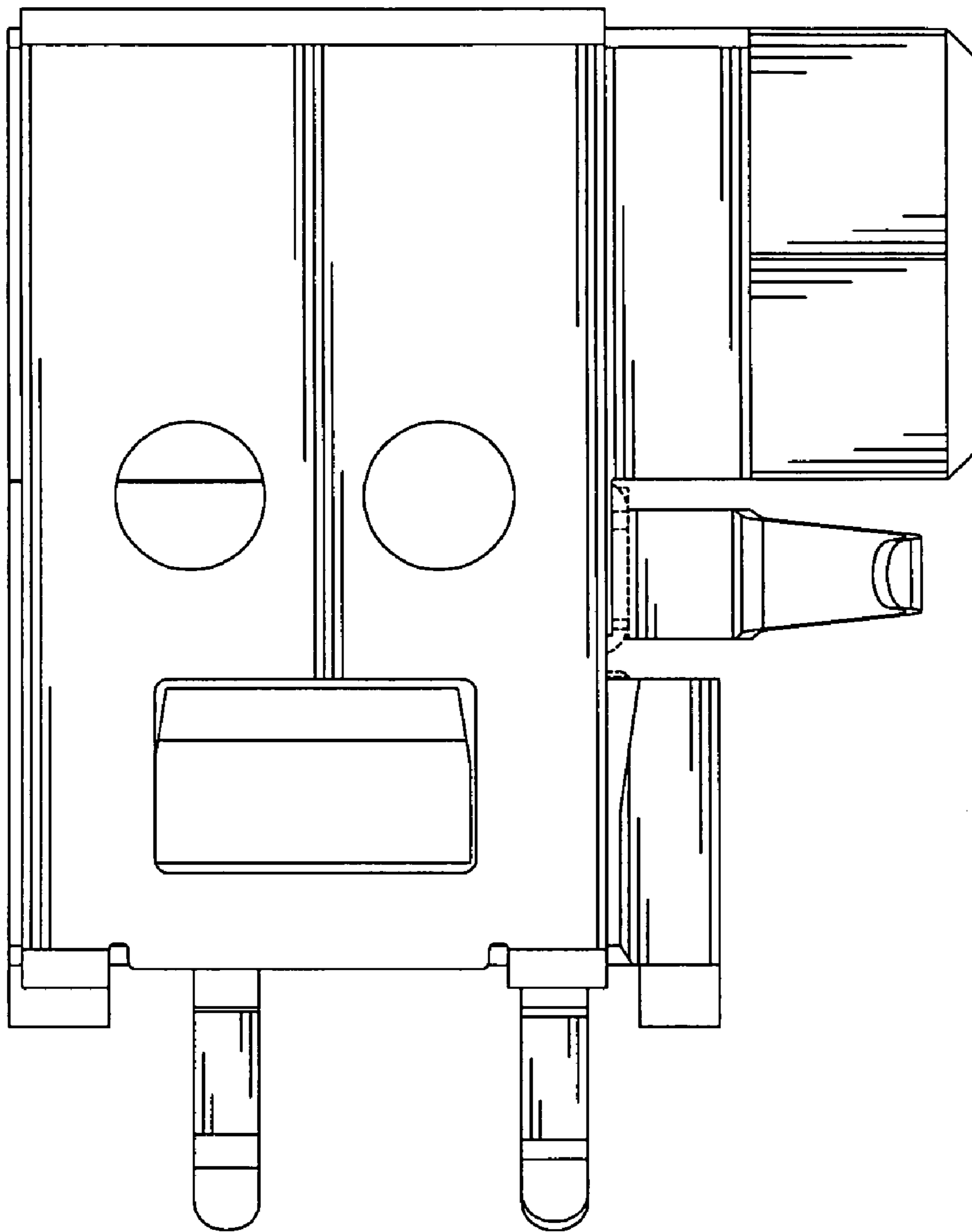


FIG. 4

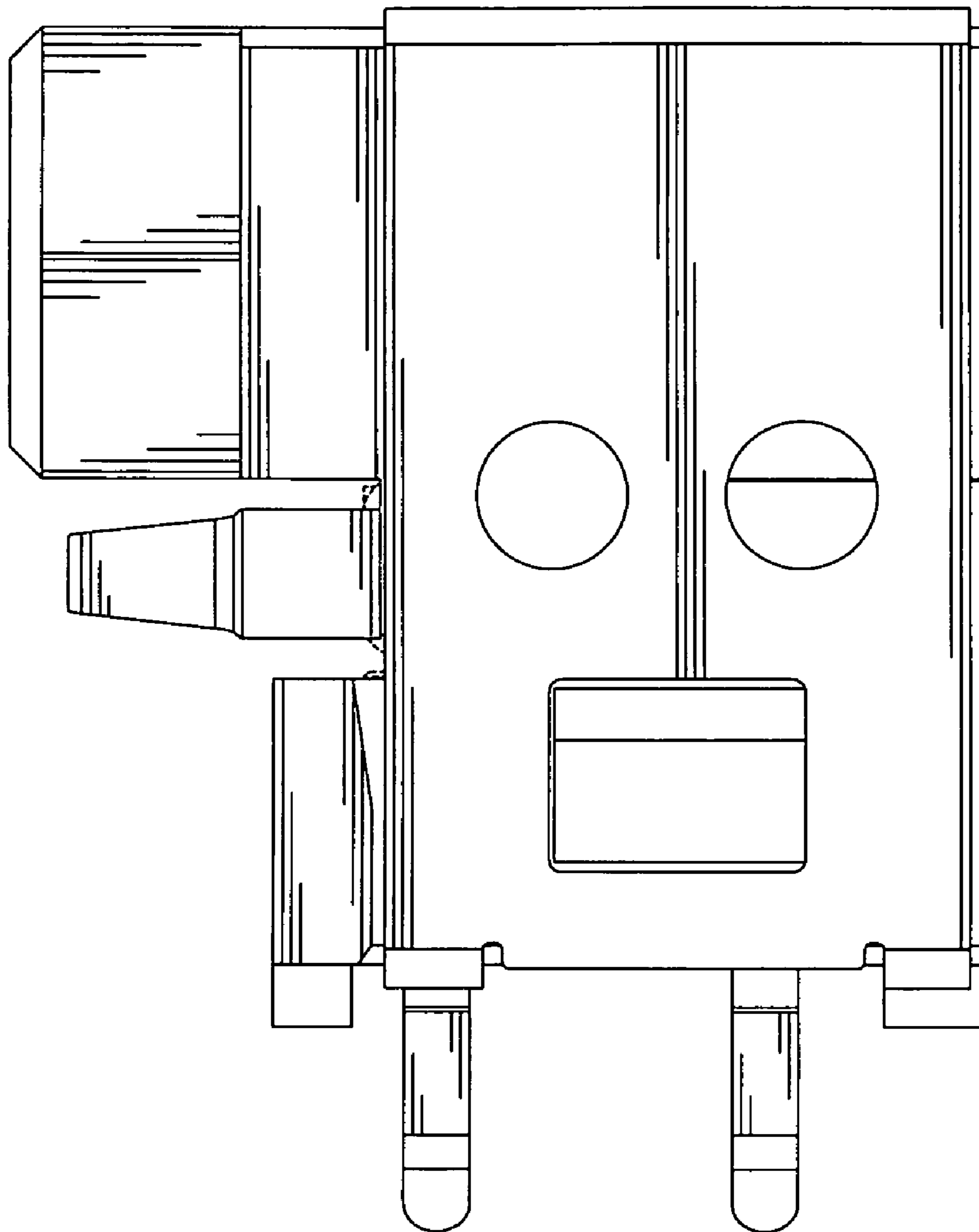


FIG. 5

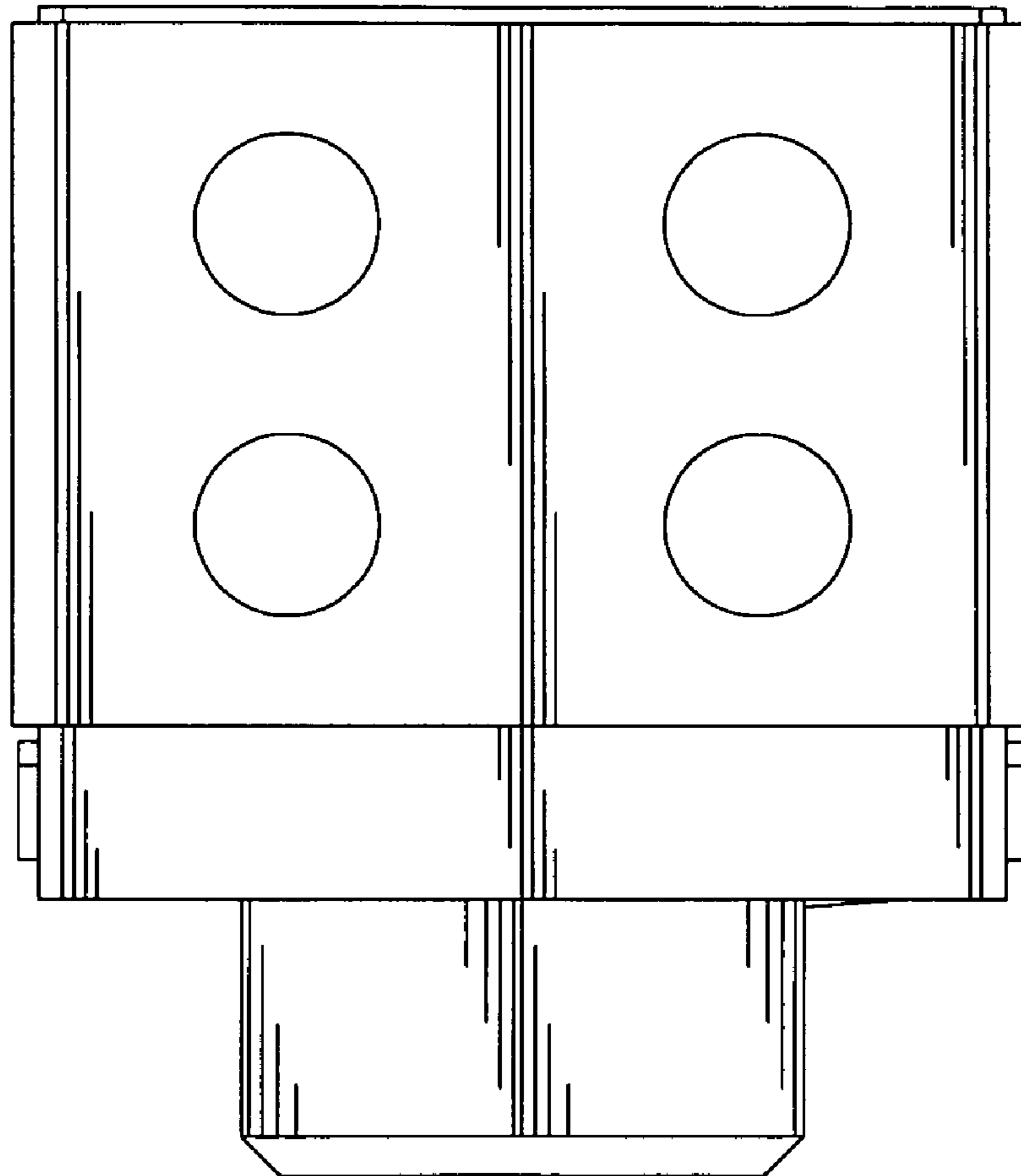


FIG. 6

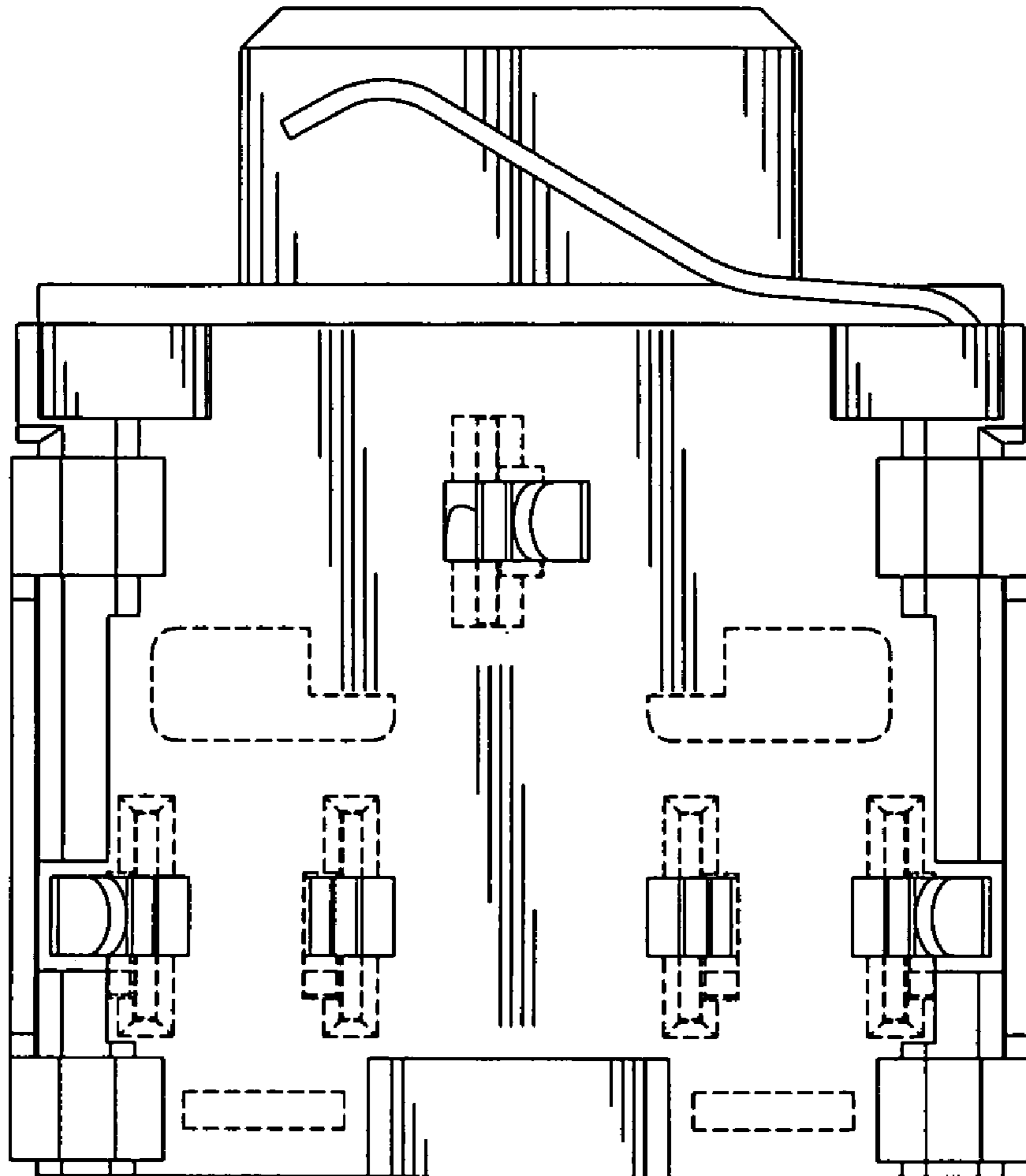


FIG. 7