



US00D577674S

(12) **United States Design Patent**
Long et al.

(10) **Patent No.:** **US D577,674 S**
(45) **Date of Patent:** **** Sep. 30, 2008**

(54) **ELECTRICAL CONNECTOR**

(75) Inventors: **Ji-En Long**, ShenZhen (CN); **Wei-Nan Kuo**, Tu-Cheng (TW)

(73) Assignee: **Hon Hai Precision Ind. Co., Ltd**, Taipei Hsien (TW)

(**) Term: **14 Years**

(21) Appl. No.: **29/289,340**

(22) Filed: **Jul. 17, 2007**

(30) **Foreign Application Priority Data**

Jan. 17, 2007 (CN) 2007 3 0025004

(51) **LOC (8) Cl.** **13-03**

(52) **U.S. Cl.** **D13/133**

(58) **Field of Classification Search** D13/133,
D13/146, 147, 154, 184, 199; 439/278, 607,
439/668, 669, 894

See application file for complete search history.

(56) **References Cited**

U.S. PATENT DOCUMENTS

D302,421 S * 7/1989 Ichitsubo D13/133
D379,969 S * 6/1997 Tan D13/147
D450,659 S * 11/2001 Hu et al. D13/147
D462,054 S * 8/2002 Ma et al. D13/133

D467,872 S * 12/2002 Yeh D13/133
D564,963 S * 3/2008 Sakamoto D13/133
2008/0090459 A1 * 4/2008 Ho et al. 439/625
2008/0096434 A1 * 4/2008 Ho et al. 439/660

* cited by examiner

Primary Examiner—Daniel D Bui

Assistant Examiner—Thomas J Johannes

(74) *Attorney, Agent, or Firm*—Wei Te Chung

(57) **CLAIM**

The ornamental design for an electrical connector, as shown and described.

DESCRIPTION

FIG. 1 is a top, front and left side perspective view of an electrical connector;

FIG. 2 is a front elevational view thereof;

FIG. 3 is a rear elevational view thereof;

FIG. 4 is a left side elevational view thereof;

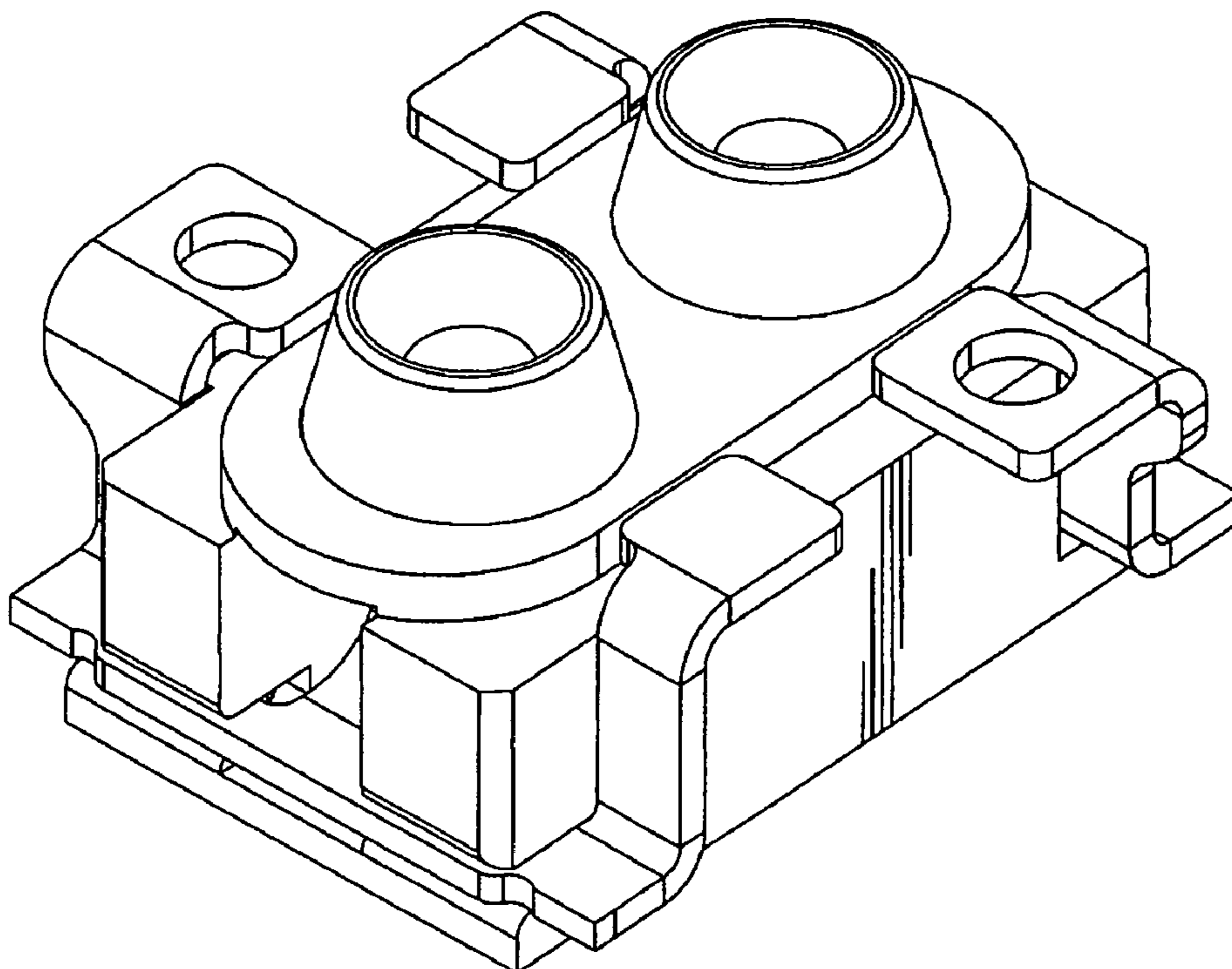
FIG. 5 is a right side elevational view thereof;

FIG. 6 is a top plan view thereof; and,

FIG. 7 is a bottom plan view thereof.

The broken line portion of the figure drawings is included to show unclaimed subject matter only and forms no part of the claimed design.

1 Claim, 7 Drawing Sheets



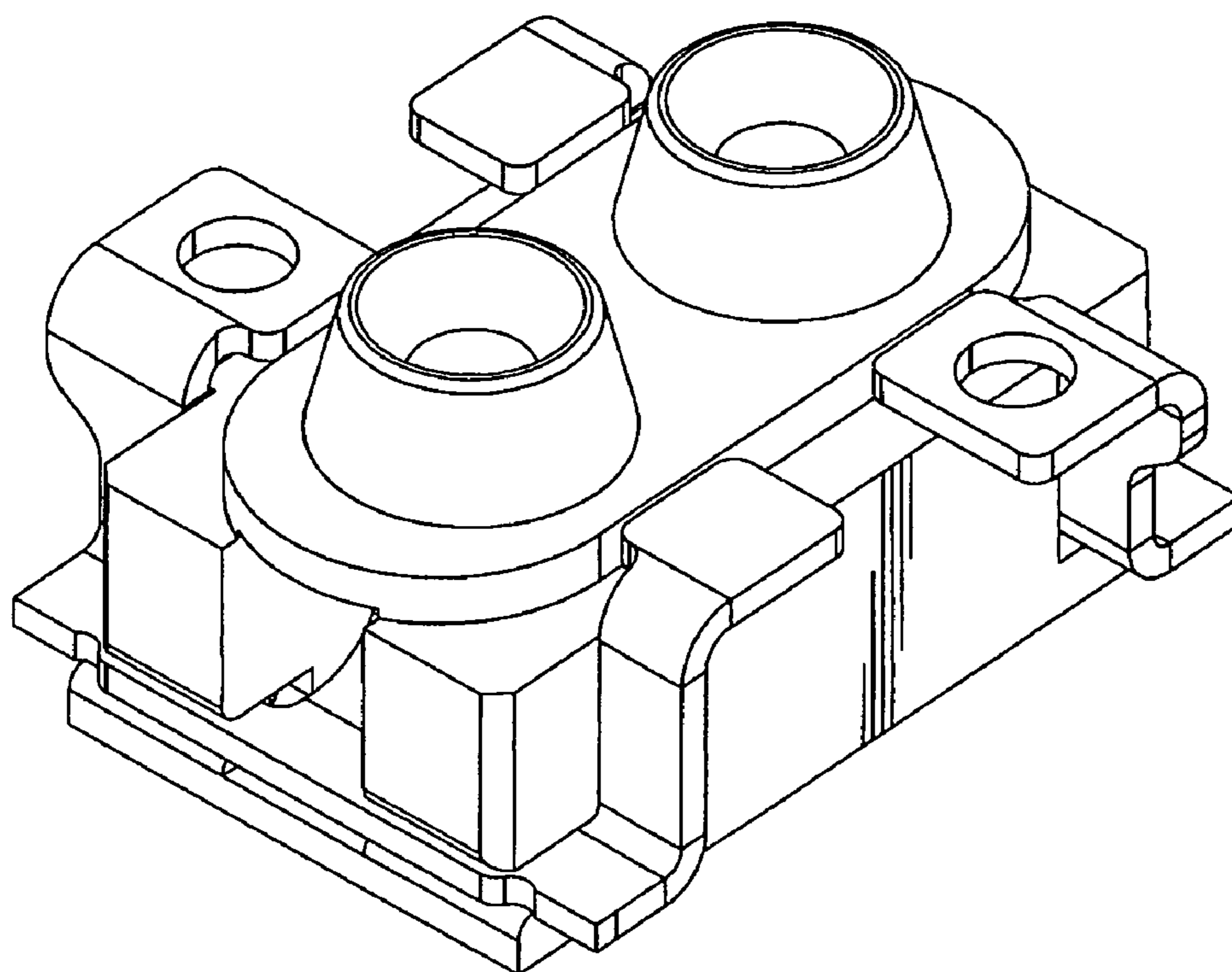


FIG. 1

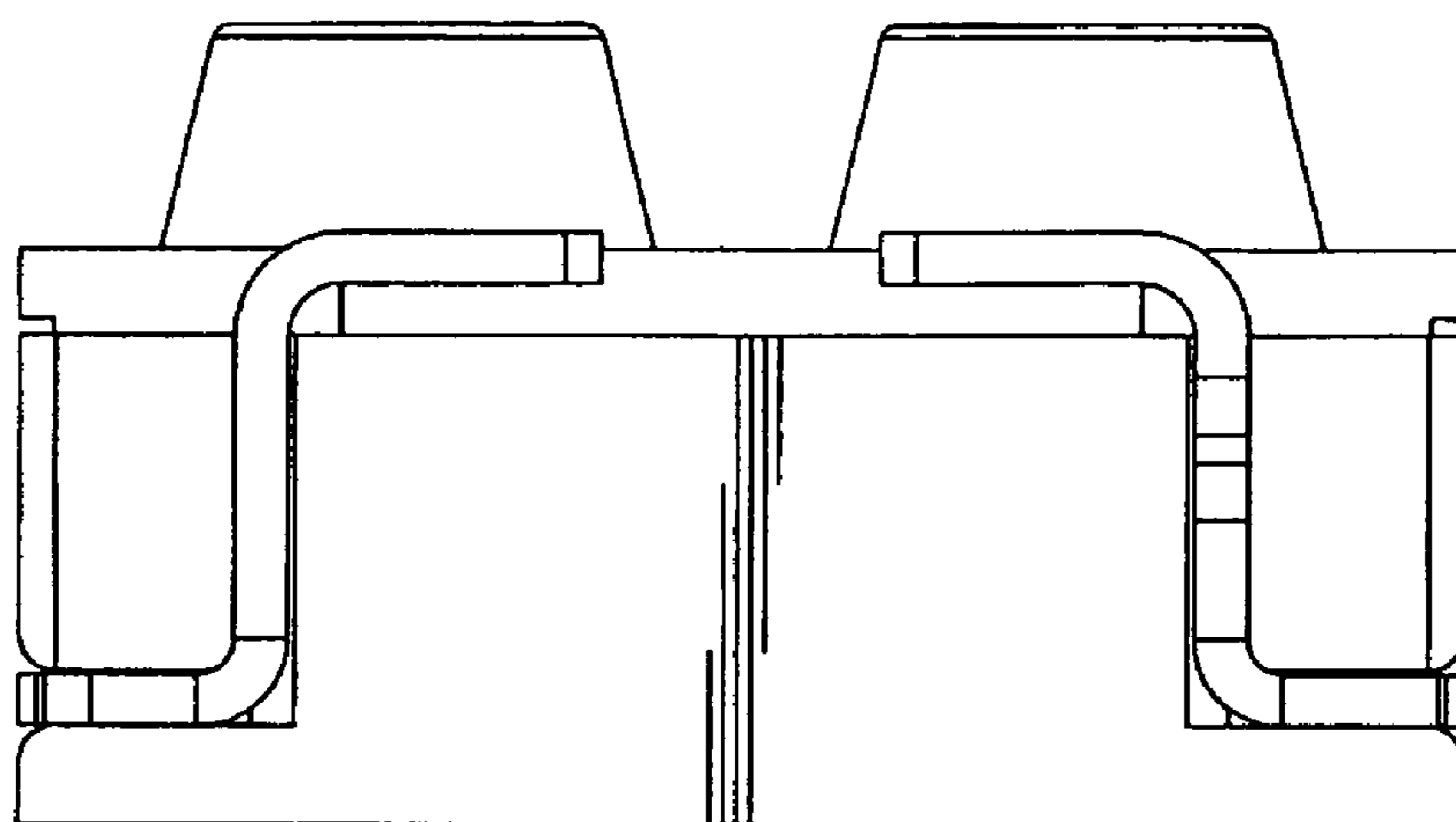


FIG. 2

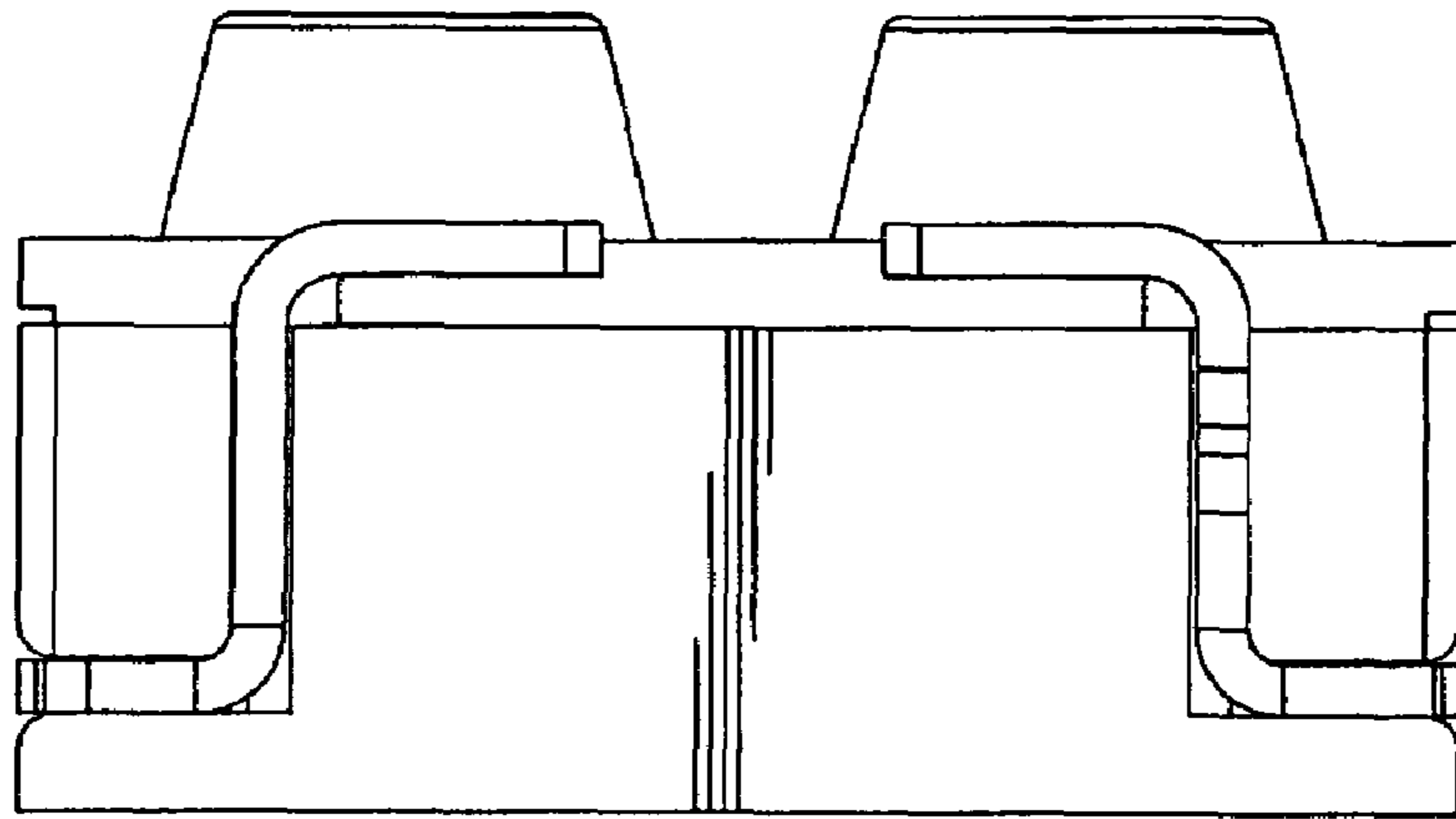


FIG. 3

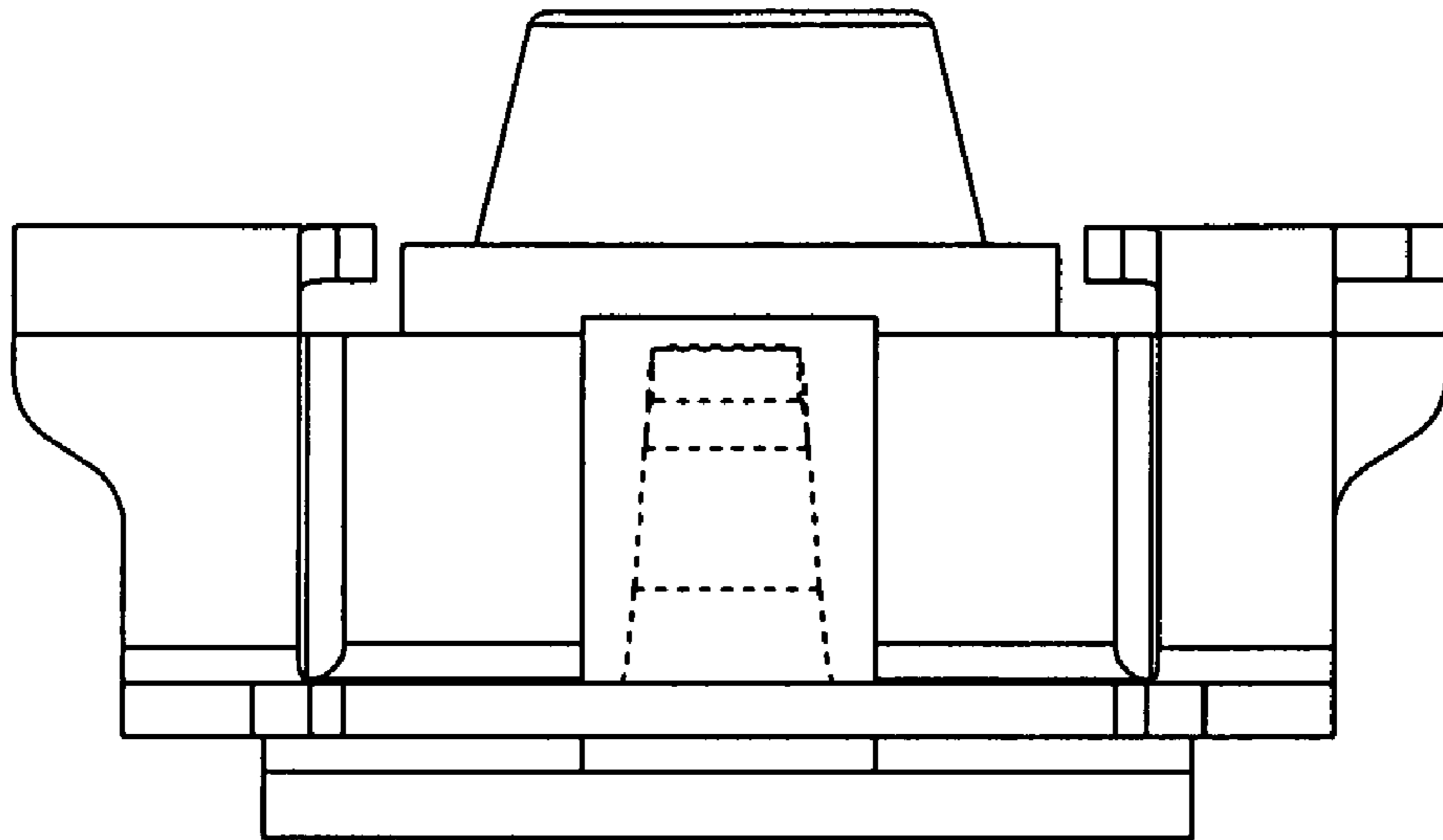


FIG. 4

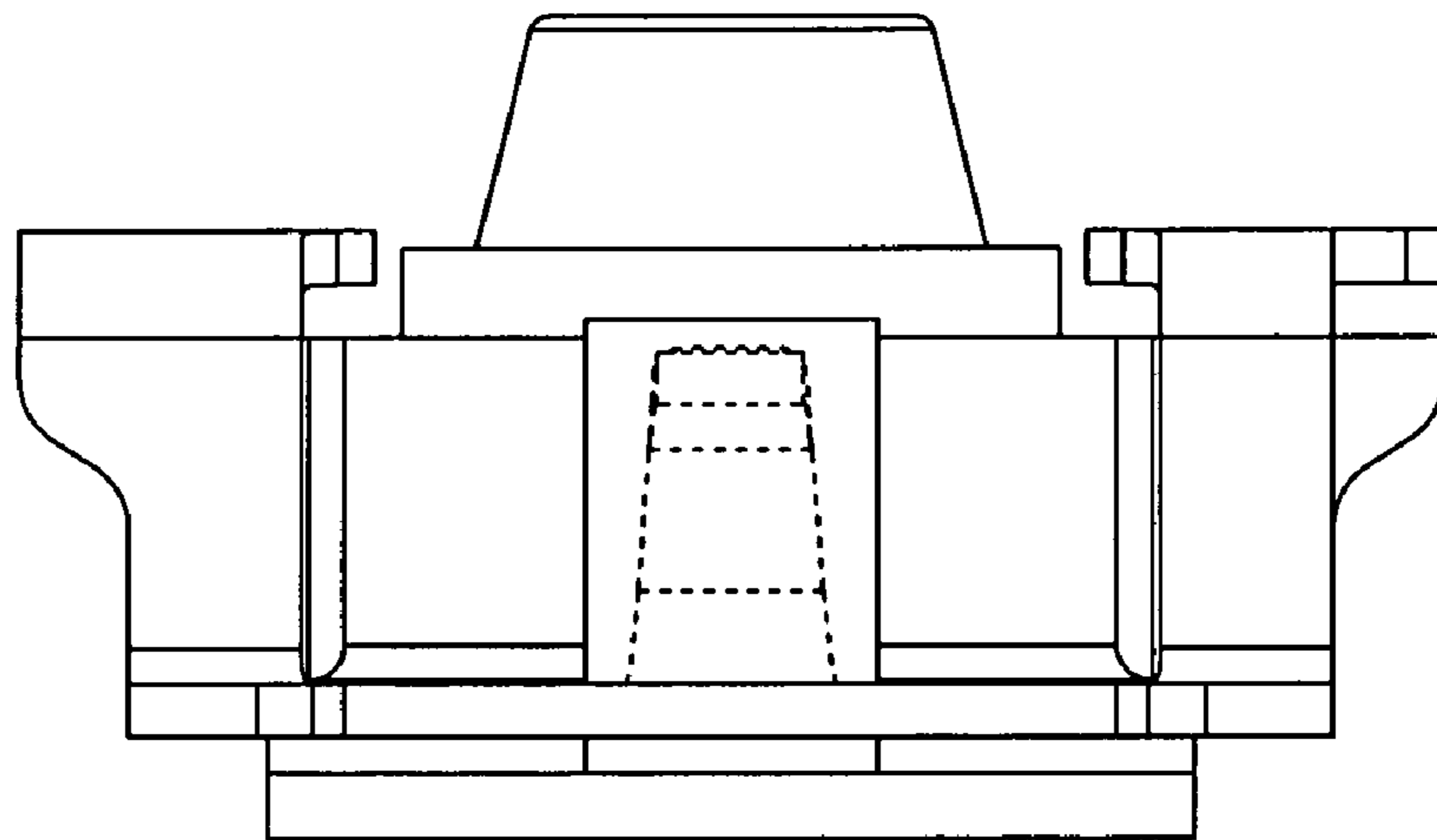


FIG. 5

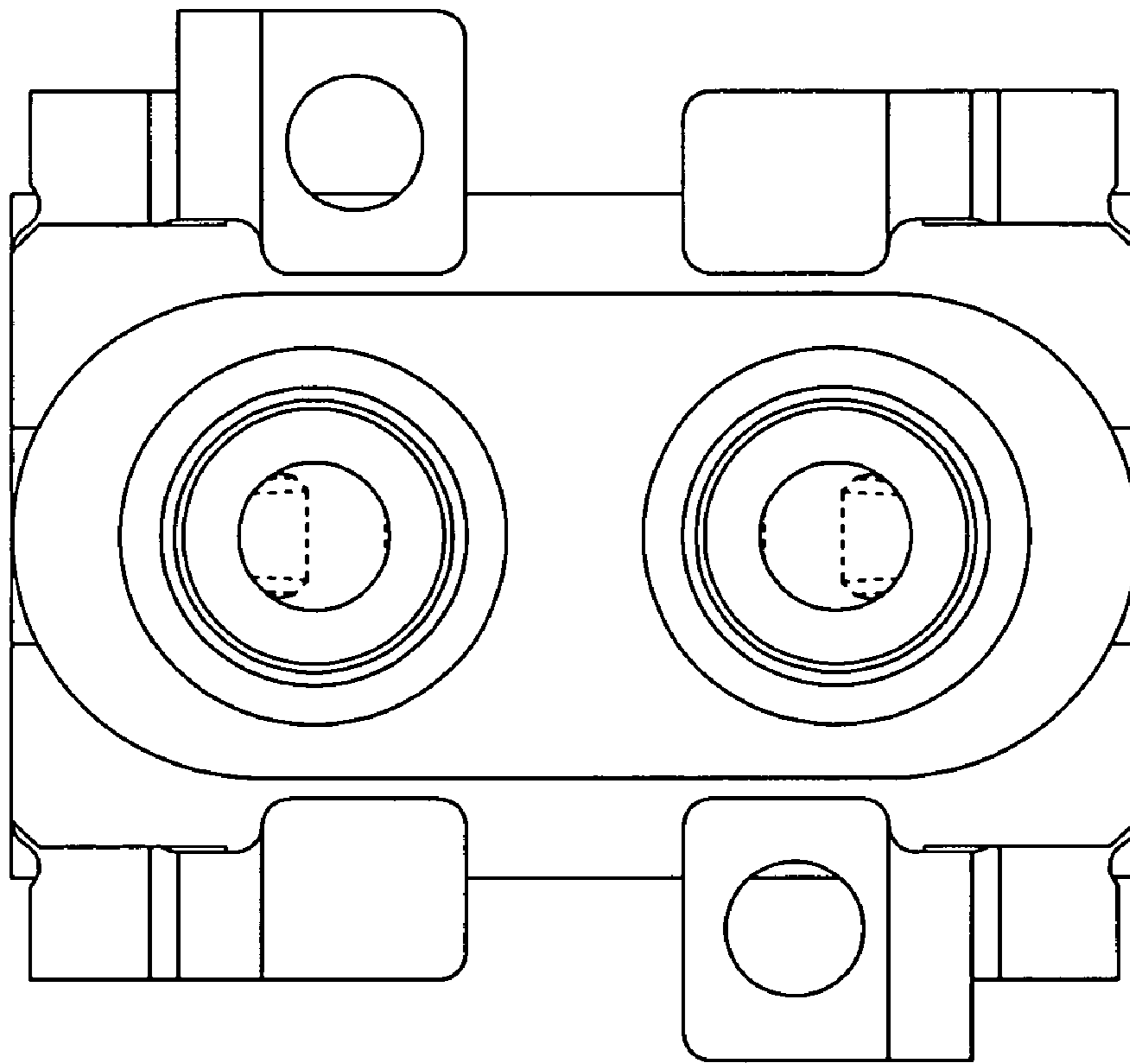


FIG. 6

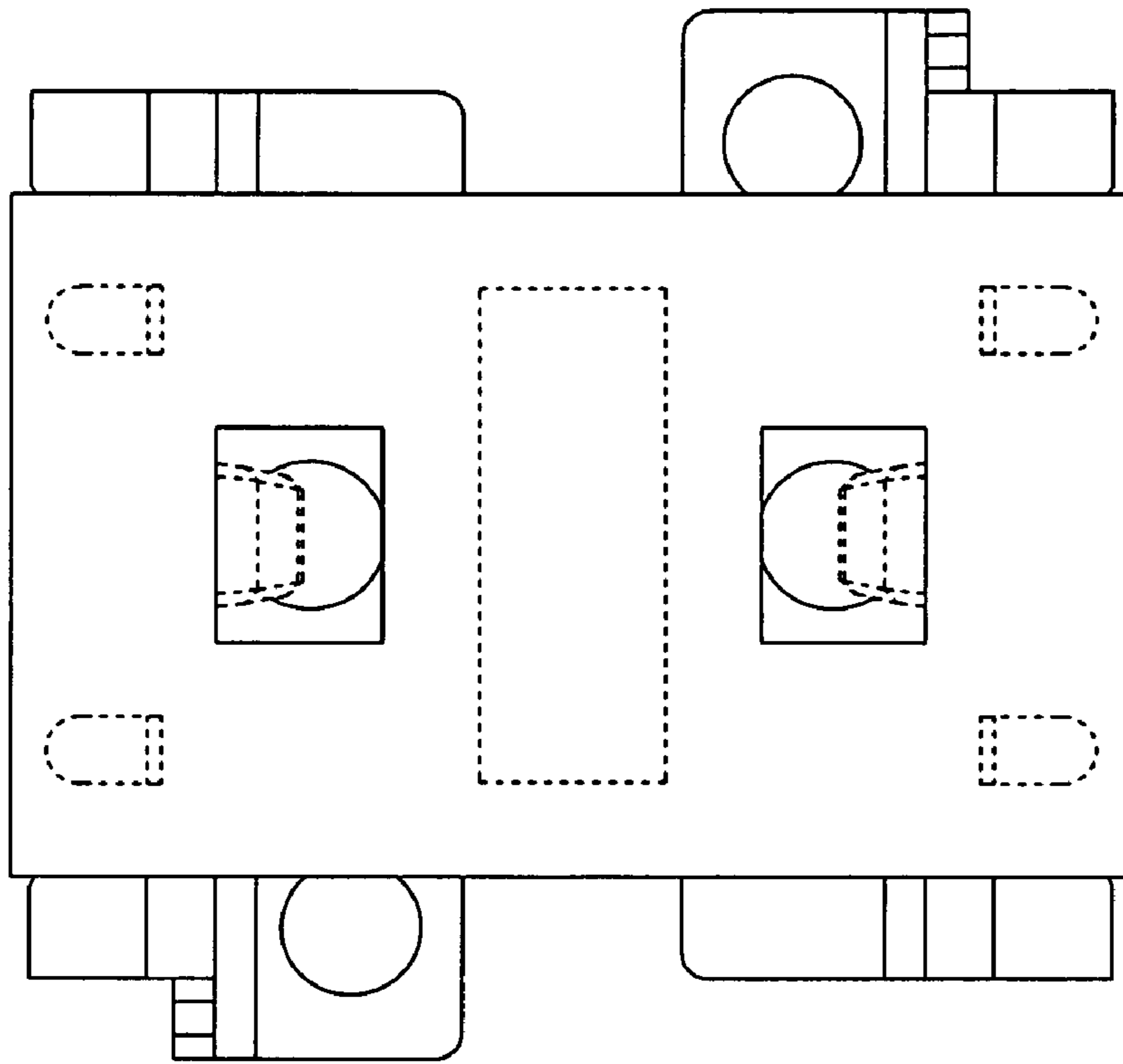


FIG. 7