



US00D577672S

(12) **United States Design Patent**
Yao

(10) **Patent No.:** **US D577,672 S**

(45) **Date of Patent:** **** Sep. 30, 2008**

(54) **LEAD CONNECTOR**

(76) **Inventor:** **Yi Hui Yao**, No. 18, Ke Ji East Road,
High & New Technology Development
Zone, Huanghe Road, Shantou,
Guangdong (CN)

(**) **Term:** **14 Years**

(21) **Appl. No.:** **29/273,947**

(22) **Filed:** **Mar. 19, 2007**

(51) **LOC (8) Cl.** **13-03**

(52) **U.S. Cl.** **D13/133; D13/149**

(58) **Field of Classification Search** D13/133,
D13/149, 151, 153, 154, 184, 199; 439/260,
439/329, 409, 412, 417, 441, 492, 495, 570,
439/709, 715, 716, 717, 721, 729, 835; 361/119,
361/823

See application file for complete search history.

(56) **References Cited**

U.S. PATENT DOCUMENTS

D292,087	S	*	9/1987	Bryant	D13/149
D311,381	S	*	10/1990	Endo et al.	D13/149
5,241,957	A	*	9/1993	Camps et al.	607/119
D346,150	S	*	4/1994	Triantopoulos	D13/149
5,585,591	A	*	12/1996	Waldock	102/202.12
6,471,537	B1	*	10/2002	Huang	439/418
6,488,525	B2	*	12/2002	Abel et al.	439/404
D471,875	S	*	3/2003	Woelfle	D13/149
6,662,035	B2	*	12/2003	Sochor	600/378
D500,989	S	*	1/2005	Stadler	D13/149

* cited by examiner

Primary Examiner—Daniel D Bui

Assistant Examiner—Thomas J Johannes

(74) *Attorney, Agent, or Firm*—William F. Pinsak

(57) **CLAIM**

The ornamental design of the lead connector, as shown and described.

DESCRIPTION

FIG. 1 is a bottom plan view of a lead connector showing my new design;

FIG. 2 is an elevational view of the right side of the lead connector of the present invention;

FIG. 3 is an elevational view of the front side of the lead connector of the present invention;

FIG. 4 is an elevational view of the left side of the lead connector of the present invention;

FIG. 5 is a top plan view of a lead connector of the present invention;

FIG. 6 is an elevational view of the rear side of the lead connector of the present invention;

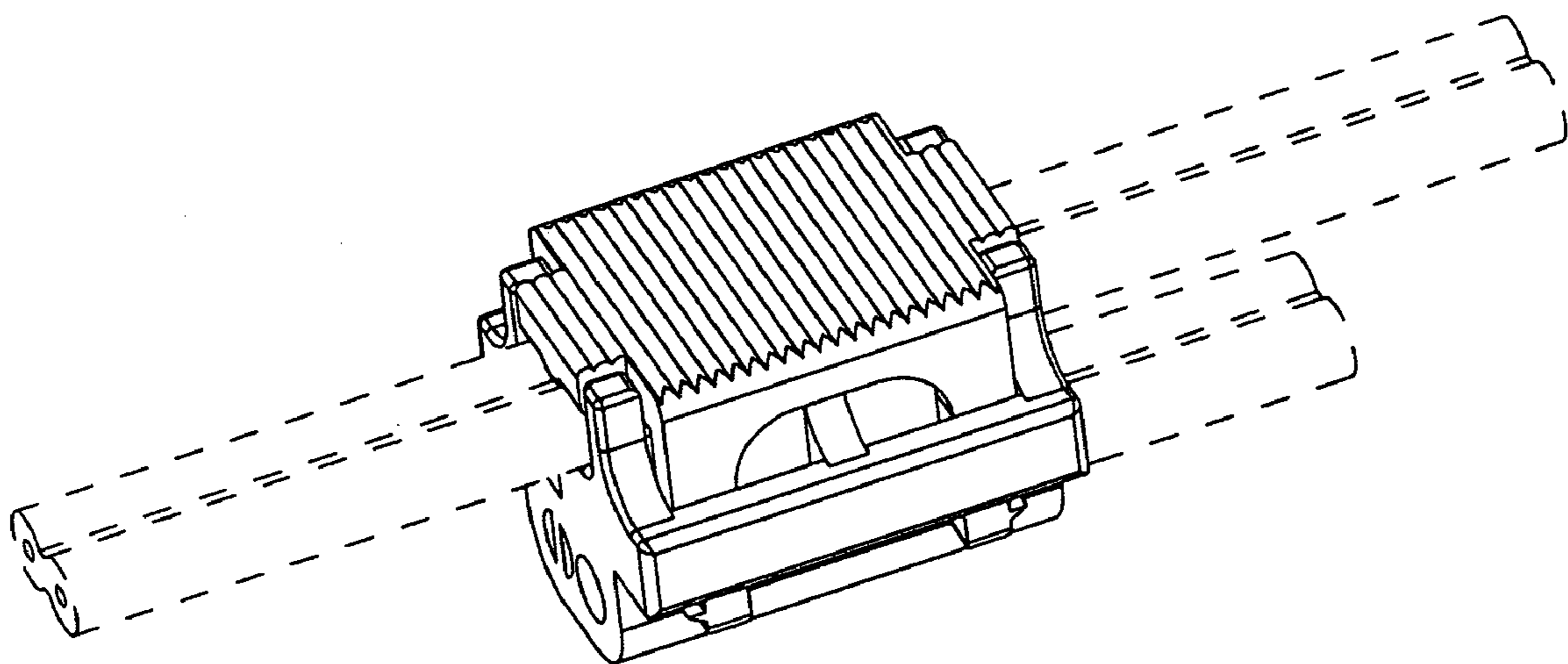
FIG. 7 is a perspective view of the lead connector of the present invention;

FIG. 8 is an exploded view of the lead connector of the present invention; and,

FIG. 9 is a perspective view of the lead connector of the present invention in use.

The broken line showing in the figure drawings is included for illustrative purposes only and forms no part of the claimed design.

1 Claim, 2 Drawing Sheets



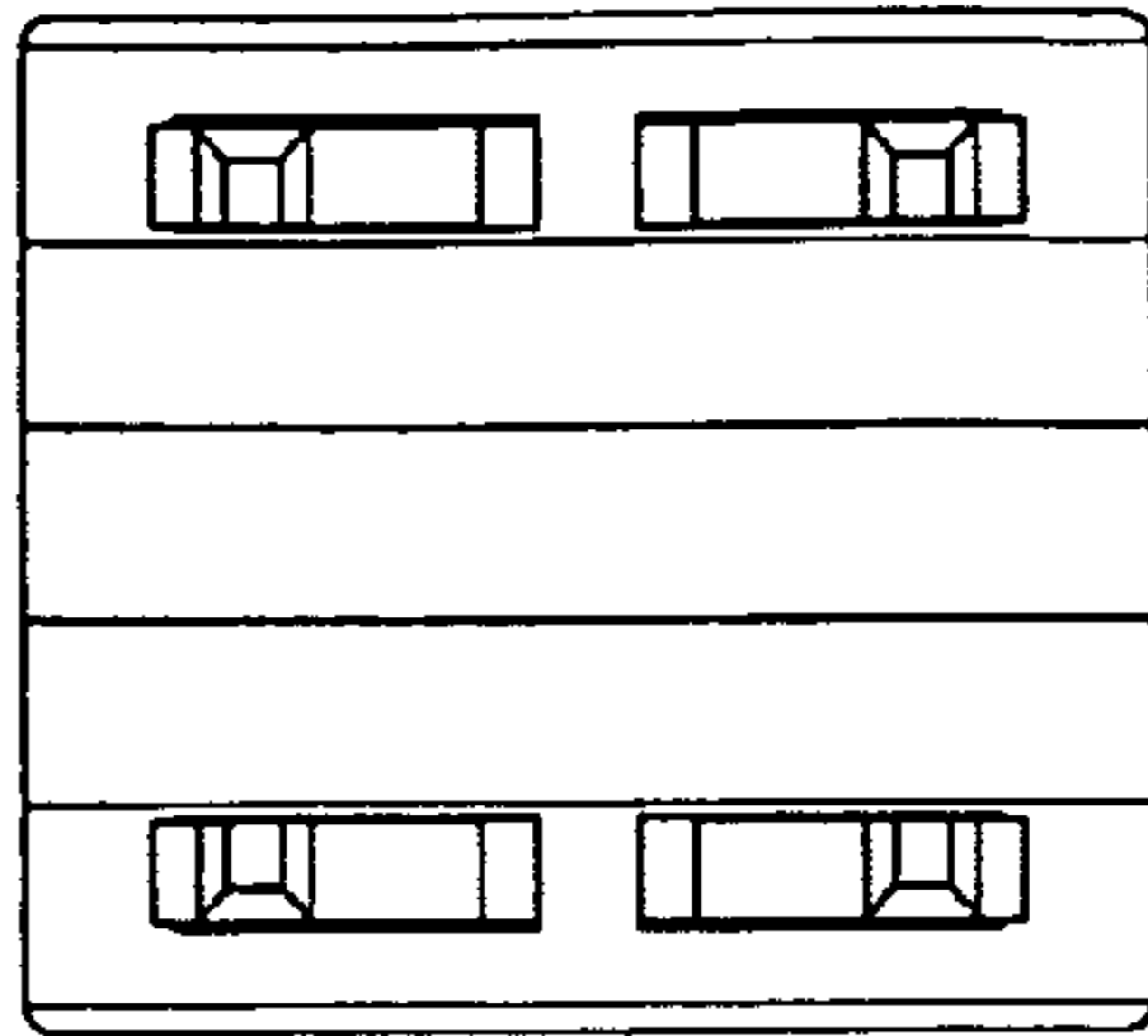


FIG. 1

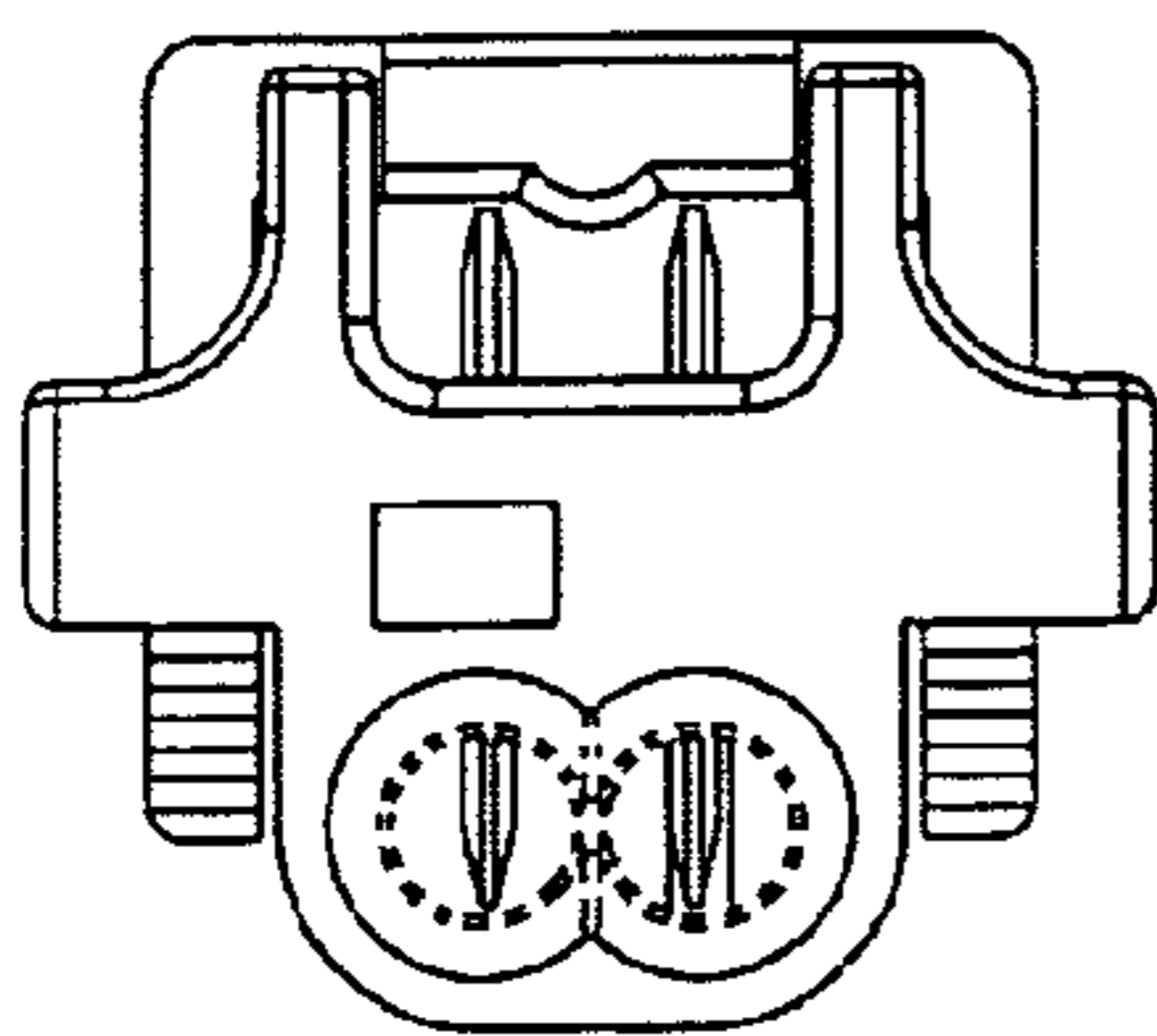


FIG. 2

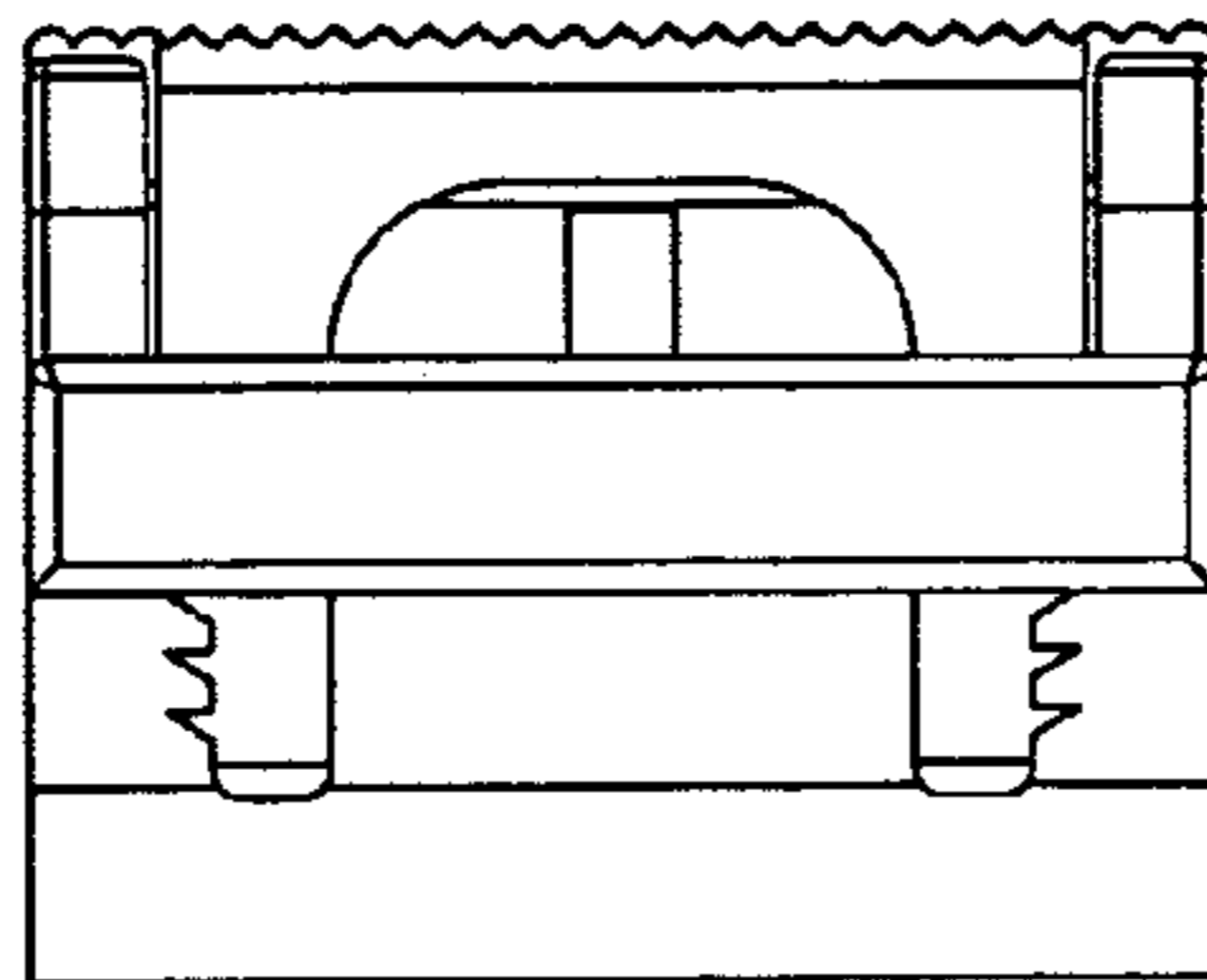


FIG. 3

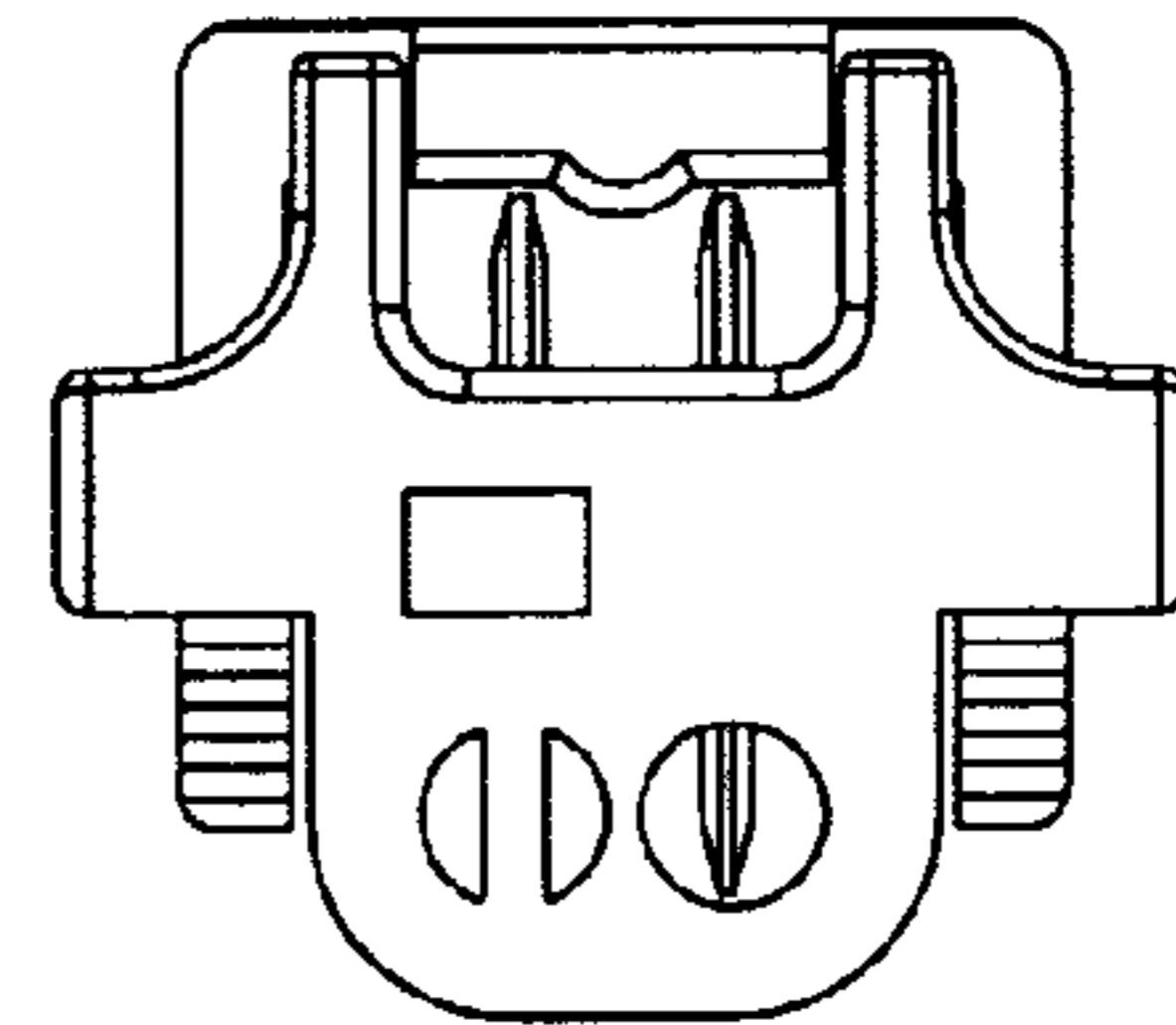


FIG. 4

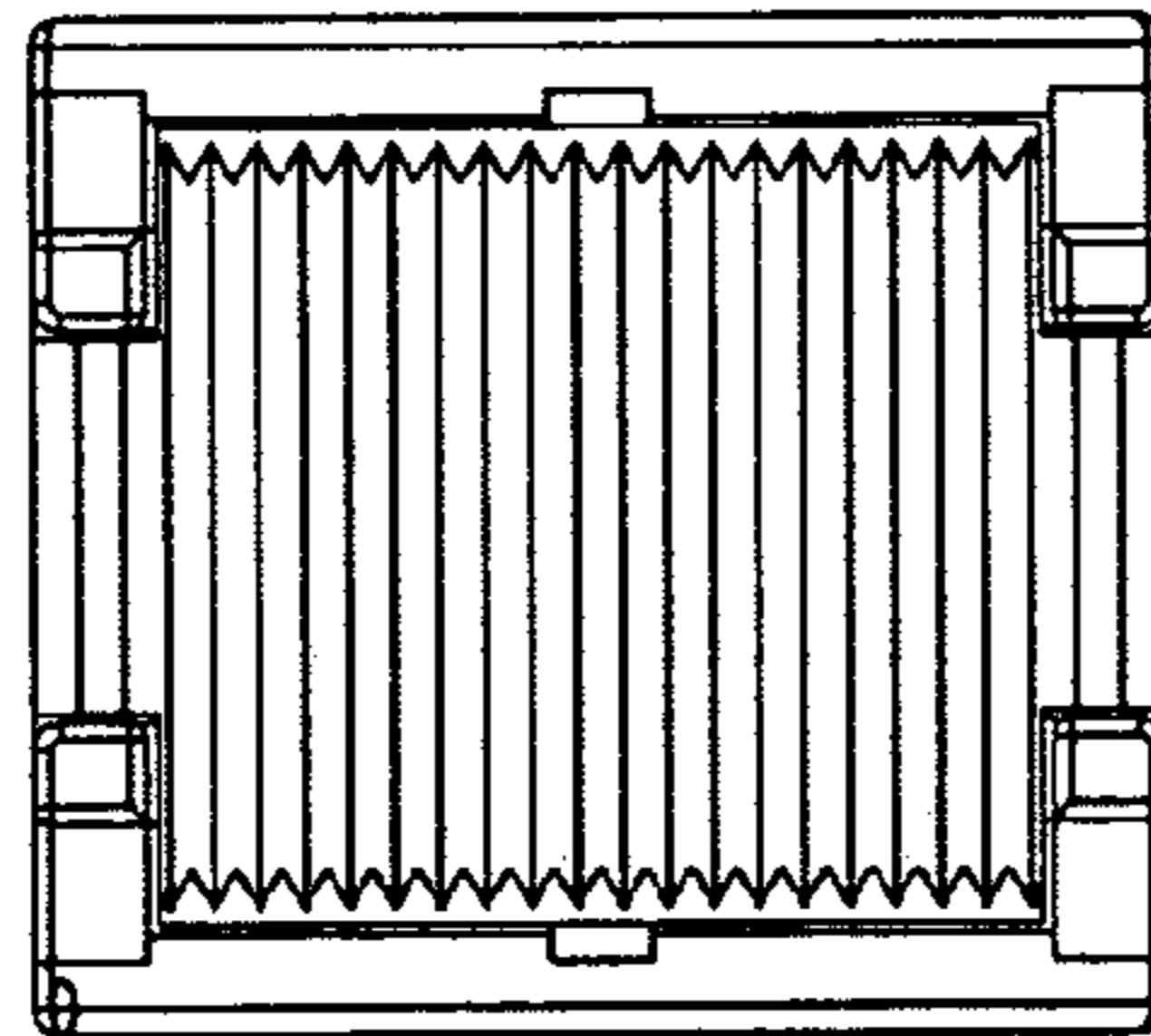


FIG. 5

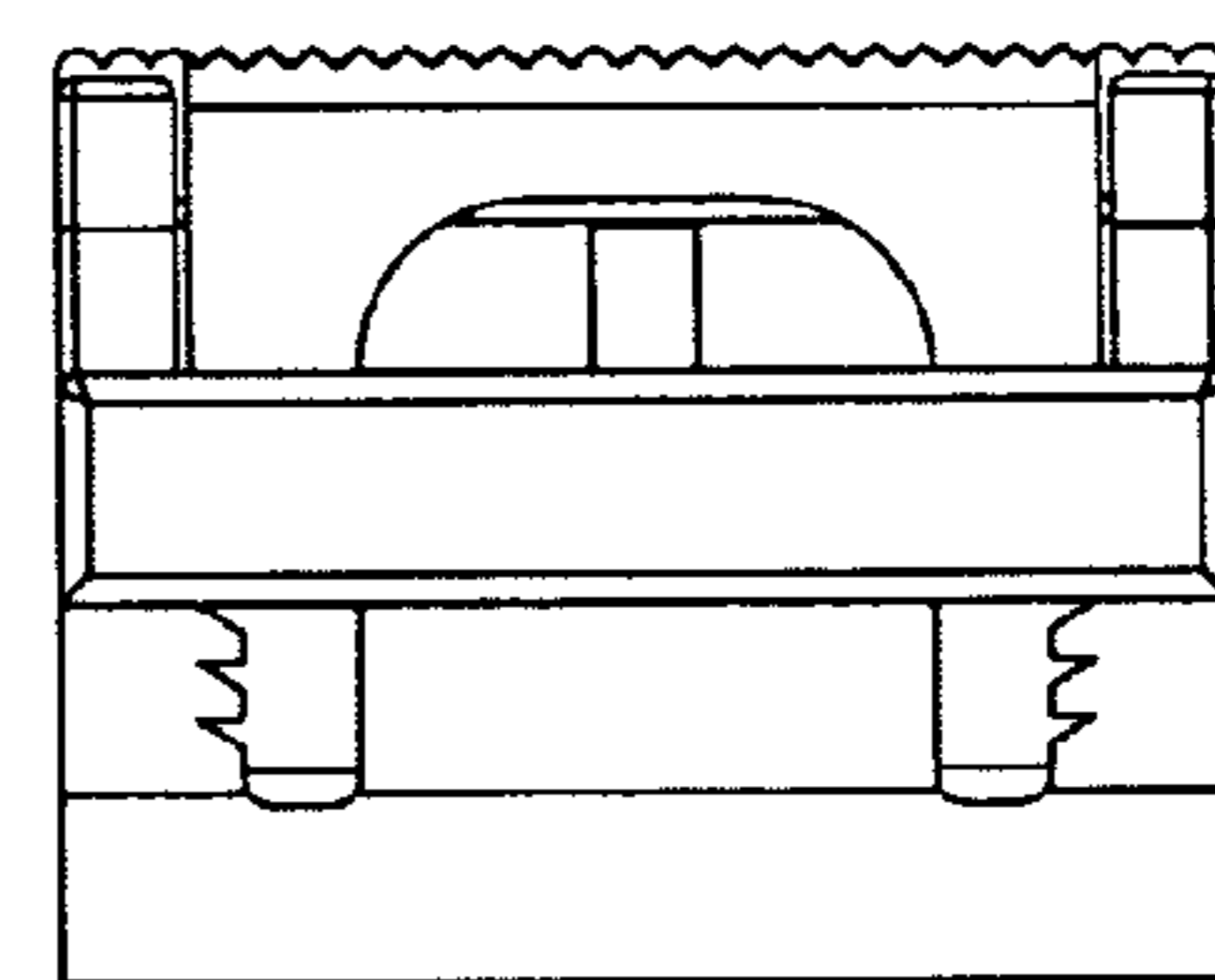


FIG. 6

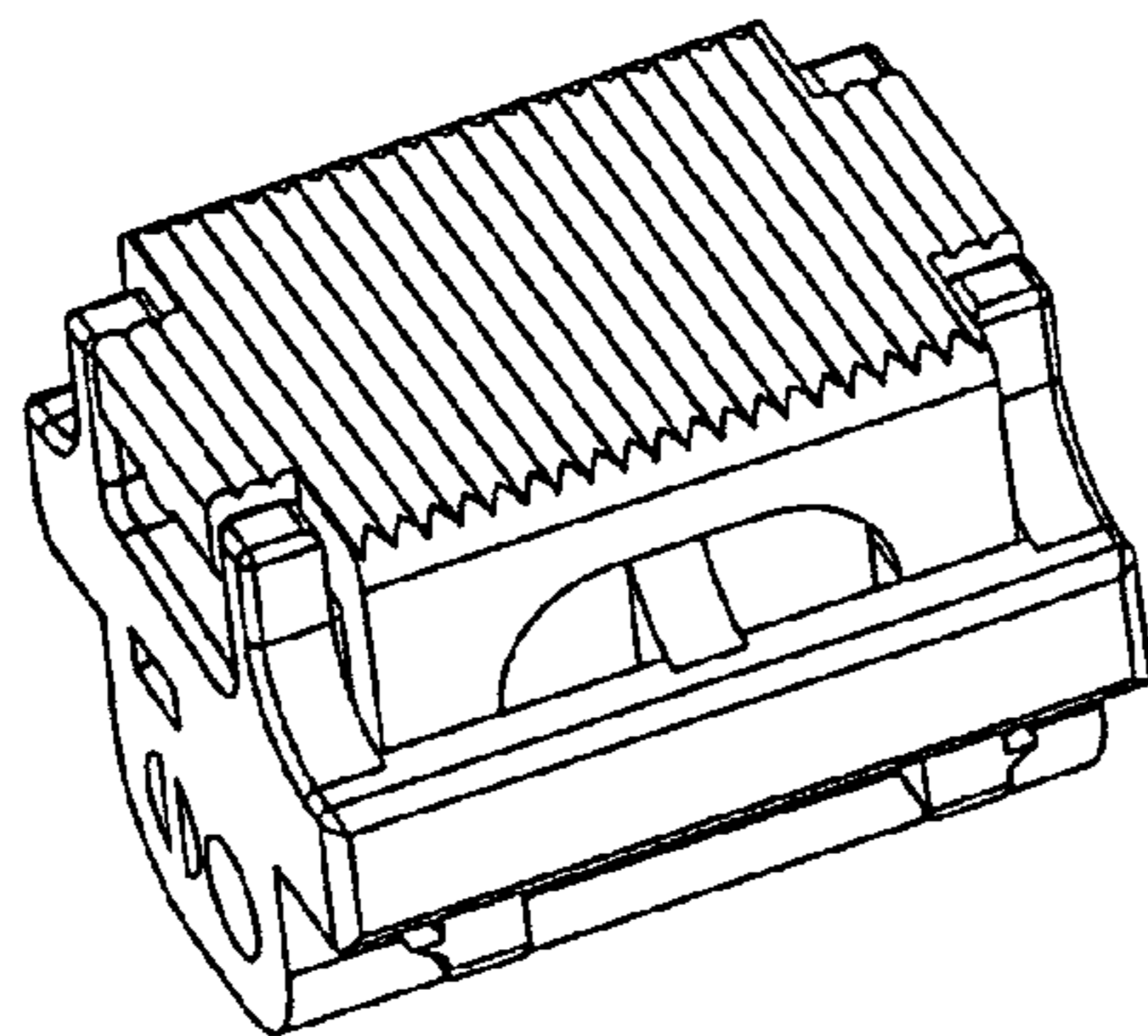


FIG. 7

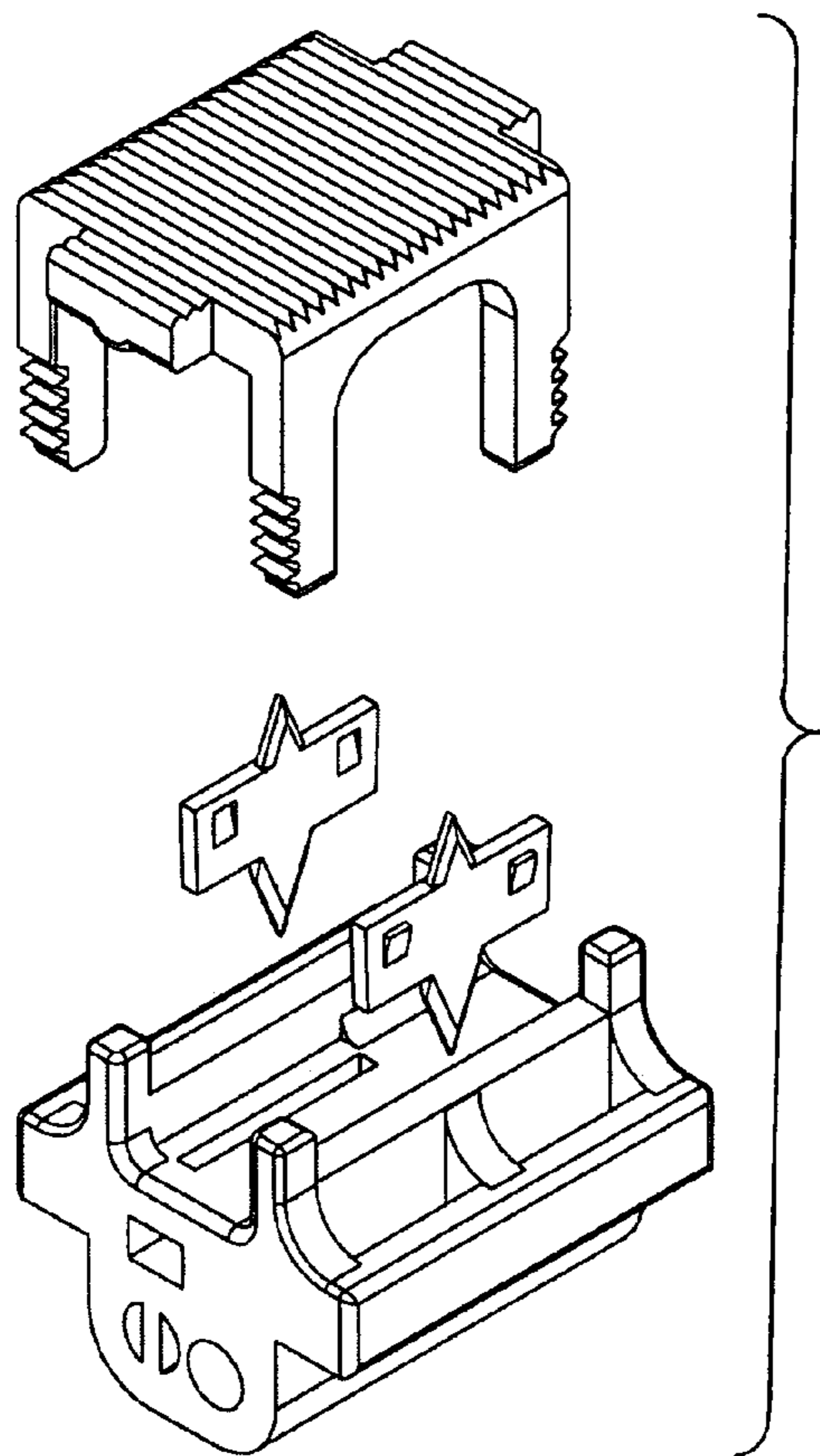


FIG. 8

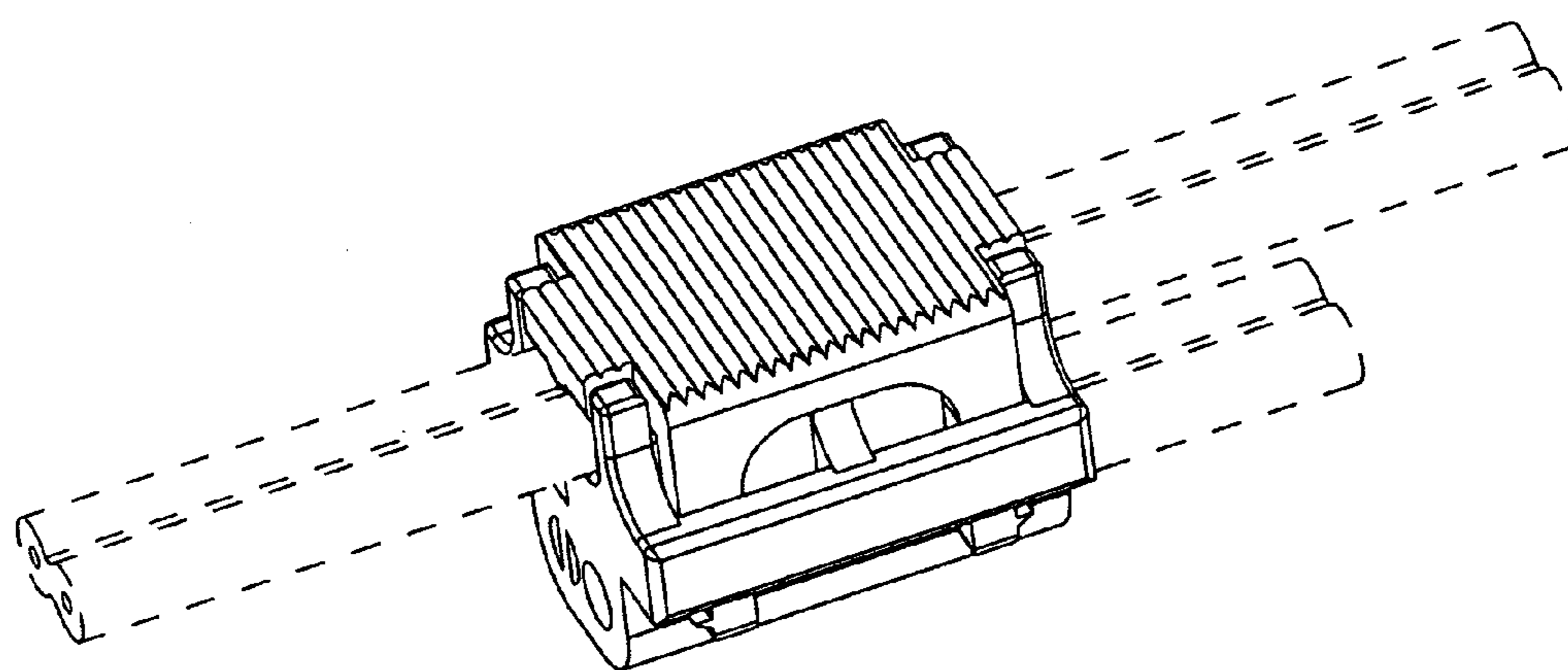


FIG. 9