



US00D577671S

(12) **United States Design Patent**
Schnitzler

(10) **Patent No.:** **US D577,671 S**

(45) **Date of Patent:** **** Sep. 30, 2008**

(54) **CONNECTOR**

(75) Inventor: **Uwe Schnitzler**, Tübingen (DE)

(73) Assignee: **Erbe Elektromedizin GmbH**, Tübingen (DE)

(**) Term: **14 Years**

(21) Appl. No.: **29/246,280**

(22) Filed: **Mar. 29, 2006**

(30) **Foreign Application Priority Data**

Nov. 21, 2005 (EM) 000436274

(51) **LOC (8) Cl.** **13-03**

(52) **U.S. Cl.** **D13/133**

(58) **Field of Classification Search** D13/133,
D13/149, 145-147, 154, 184; 439/133-134,
439/153, 180, 217-218, 224, 253-254, 266,
439/378-380, 575

See application file for complete search history.

(56) **References Cited**

U.S. PATENT DOCUMENTS

- 4,163,963 A * 8/1979 Ryckman, Jr. 338/28
- 4,704,091 A * 11/1987 Owens et al. 439/281
- D333,293 S * 2/1993 Ashida D13/147
- D439,881 S * 4/2001 Choi D13/145
- D447,120 S * 8/2001 Lee D13/146

- D449,583 S * 10/2001 Goto D13/154
- D452,216 S * 12/2001 Garman D13/145
- D469,770 S * 2/2003 Carpenter et al. D14/433
- D470,458 S * 2/2003 Zdinak et al. D13/133
- D484,463 S * 12/2003 Hussaini et al. D13/154
- D531,960 S * 11/2006 Kondas D13/147

* cited by examiner

Primary Examiner—Daniel D Bui

(74) *Attorney, Agent, or Firm*—Dickstein Shapiro LLP

(57) **CLAIM**

The ornamental design for a connector, as shown and described.

DESCRIPTION

FIG. 1 is a front elevation view of a connector in accordance with my new design;

FIG. 2 is a rear elevation view thereof;

FIG. 3 is a top plan view thereof;

FIG. 4 is a bottom plan view thereof;

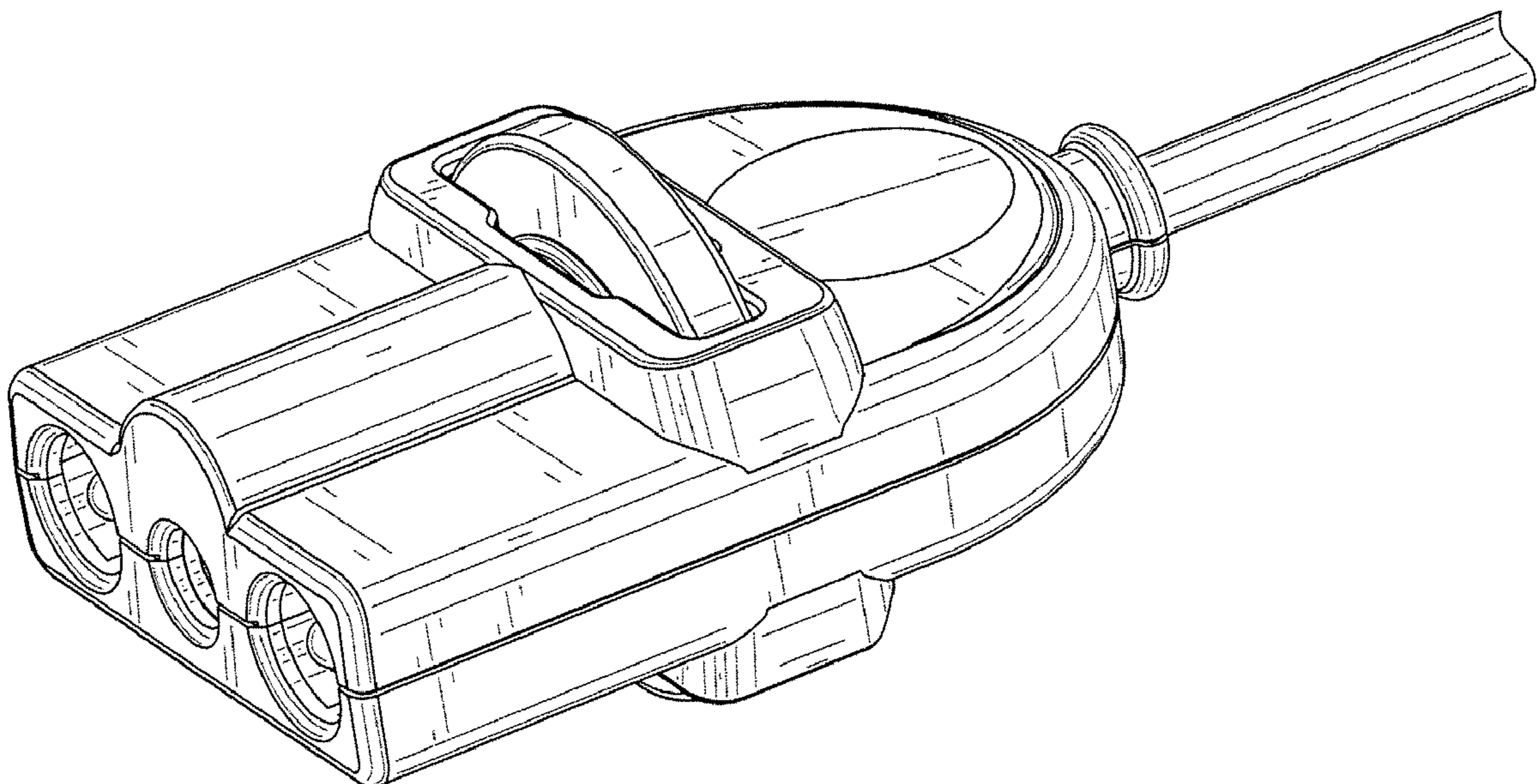
FIG. 5 is a right side elevation view thereof, a left side elevation view being a mirror image; and,

FIG. 6 is a left side perspective view thereof; and,

FIG. 7 is a left side and top perspective view thereof.

The broken lines are for illustration only and form no part of the claimed design.

1 Claim, 7 Drawing Sheets



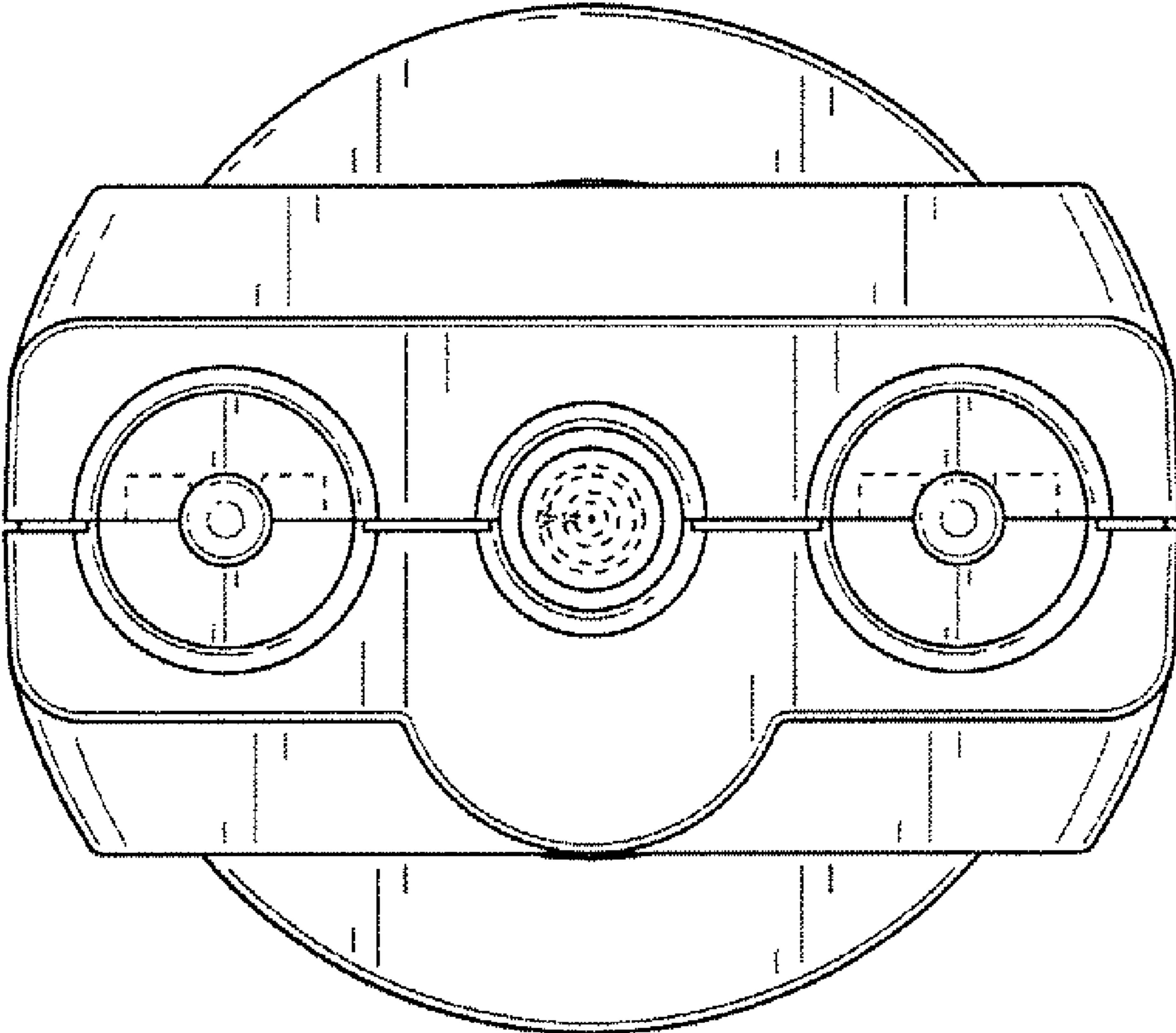


FIG. 1

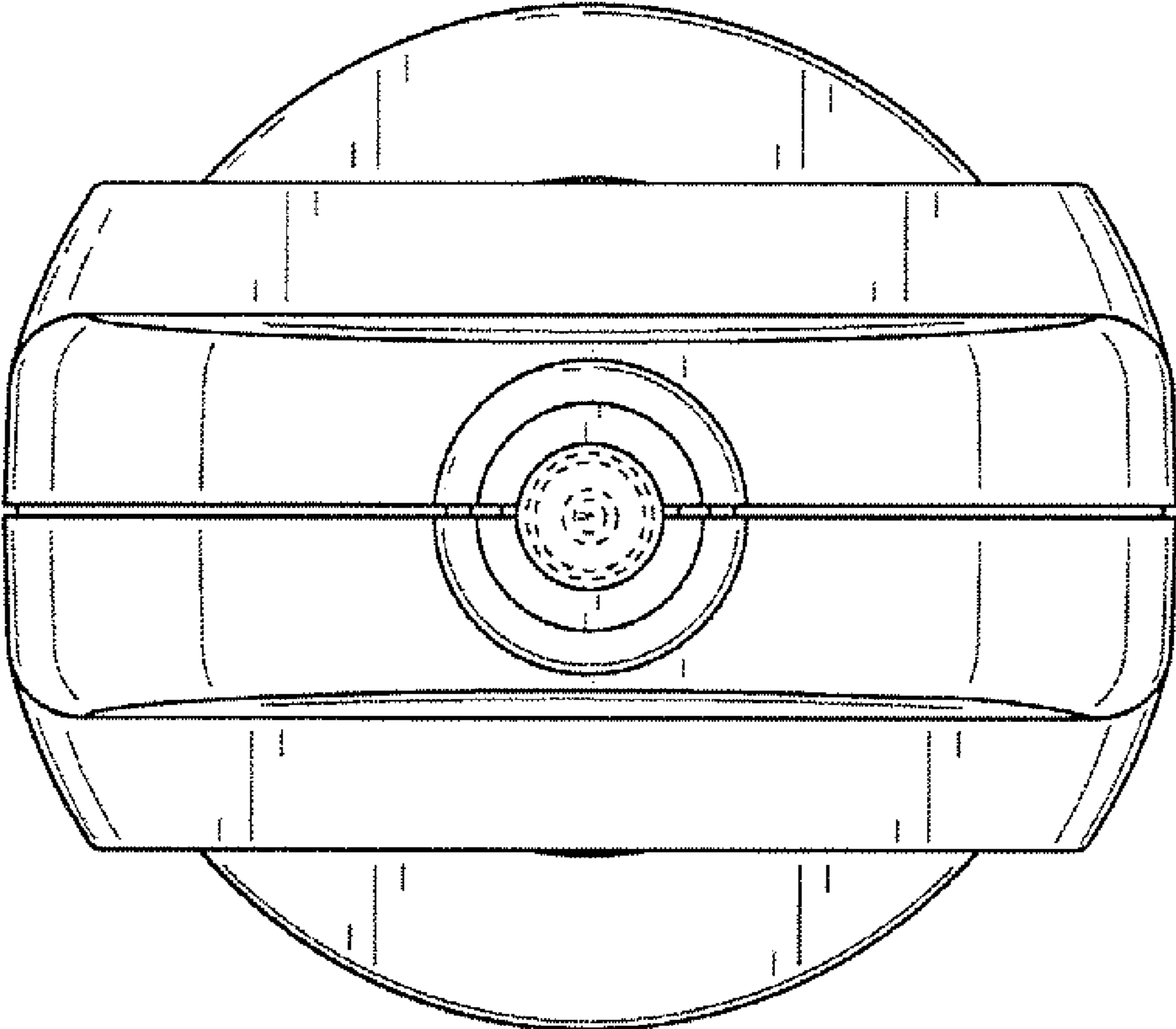


FIG. 2

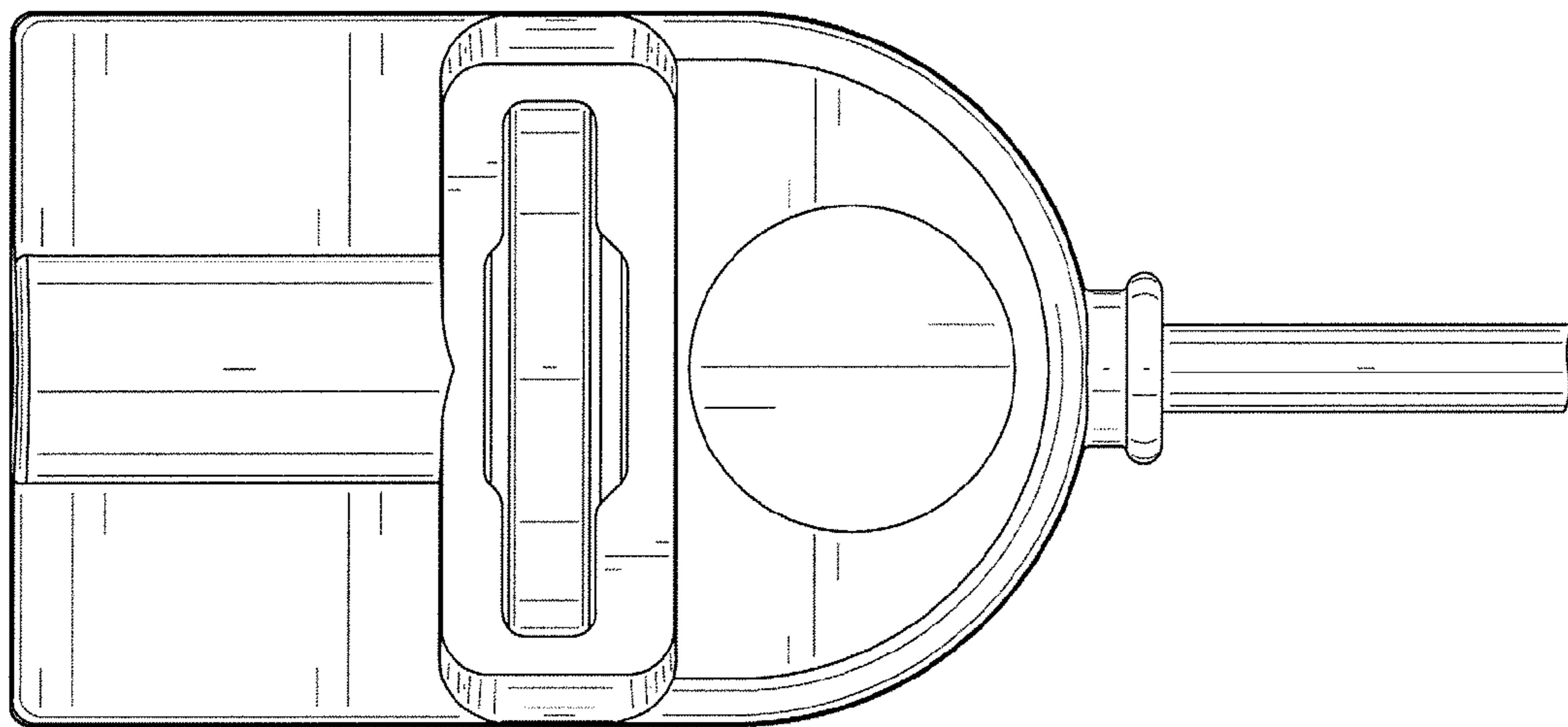


FIG. 3

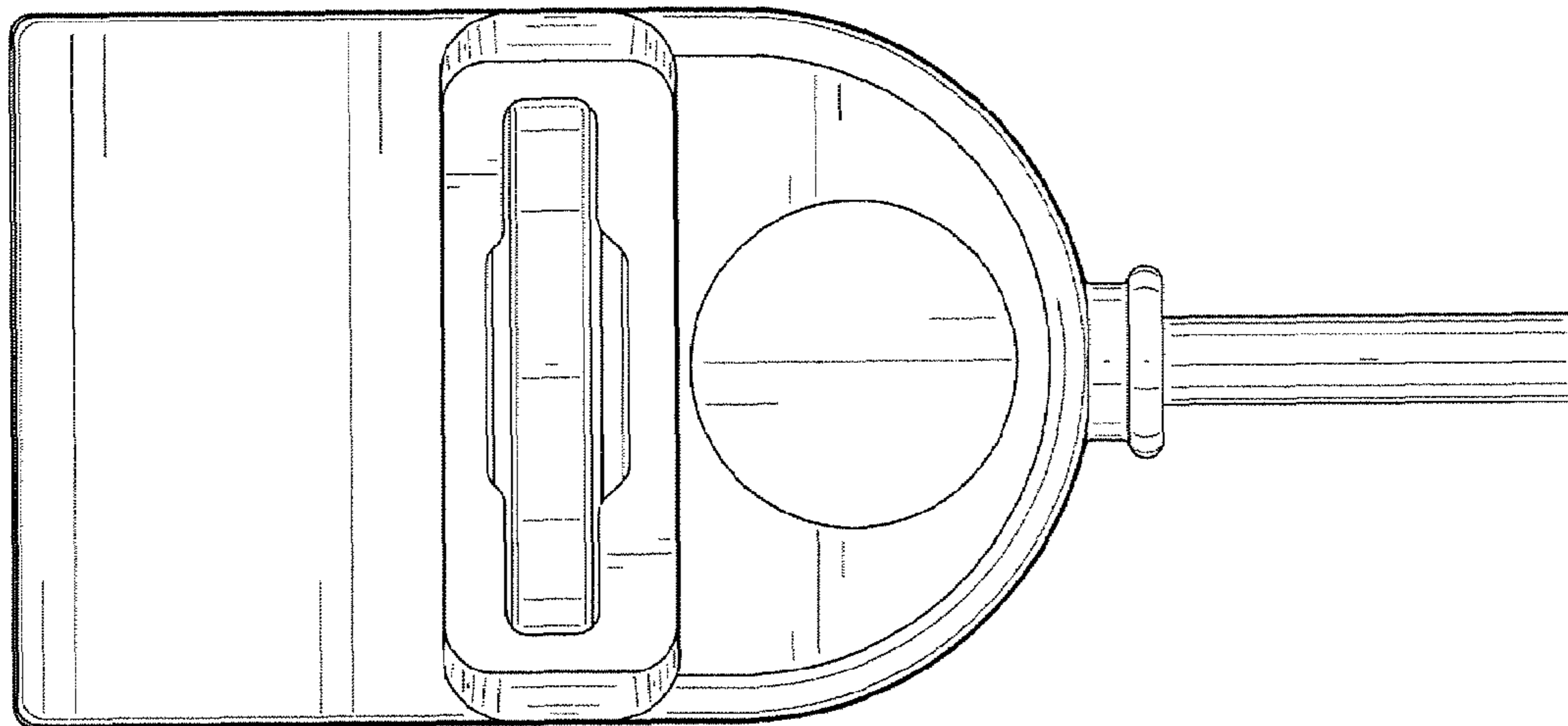


FIG. 4

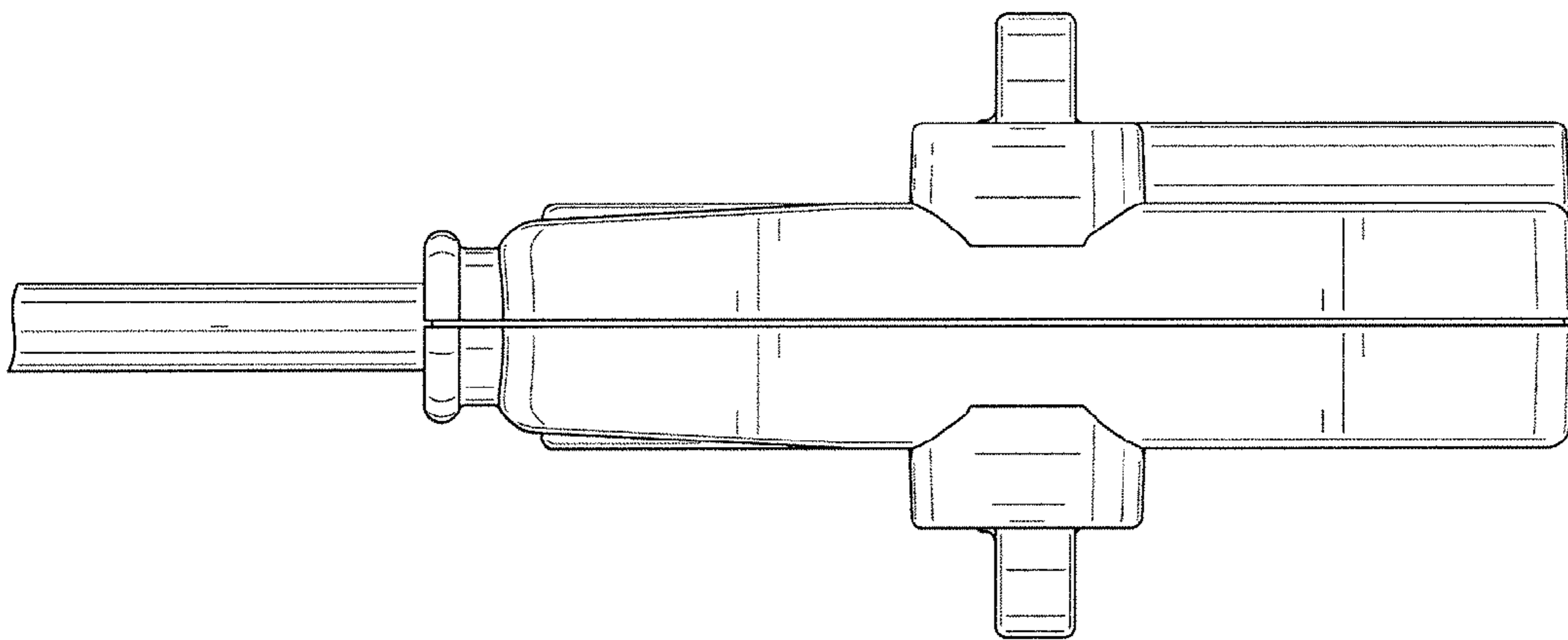


FIG. 5

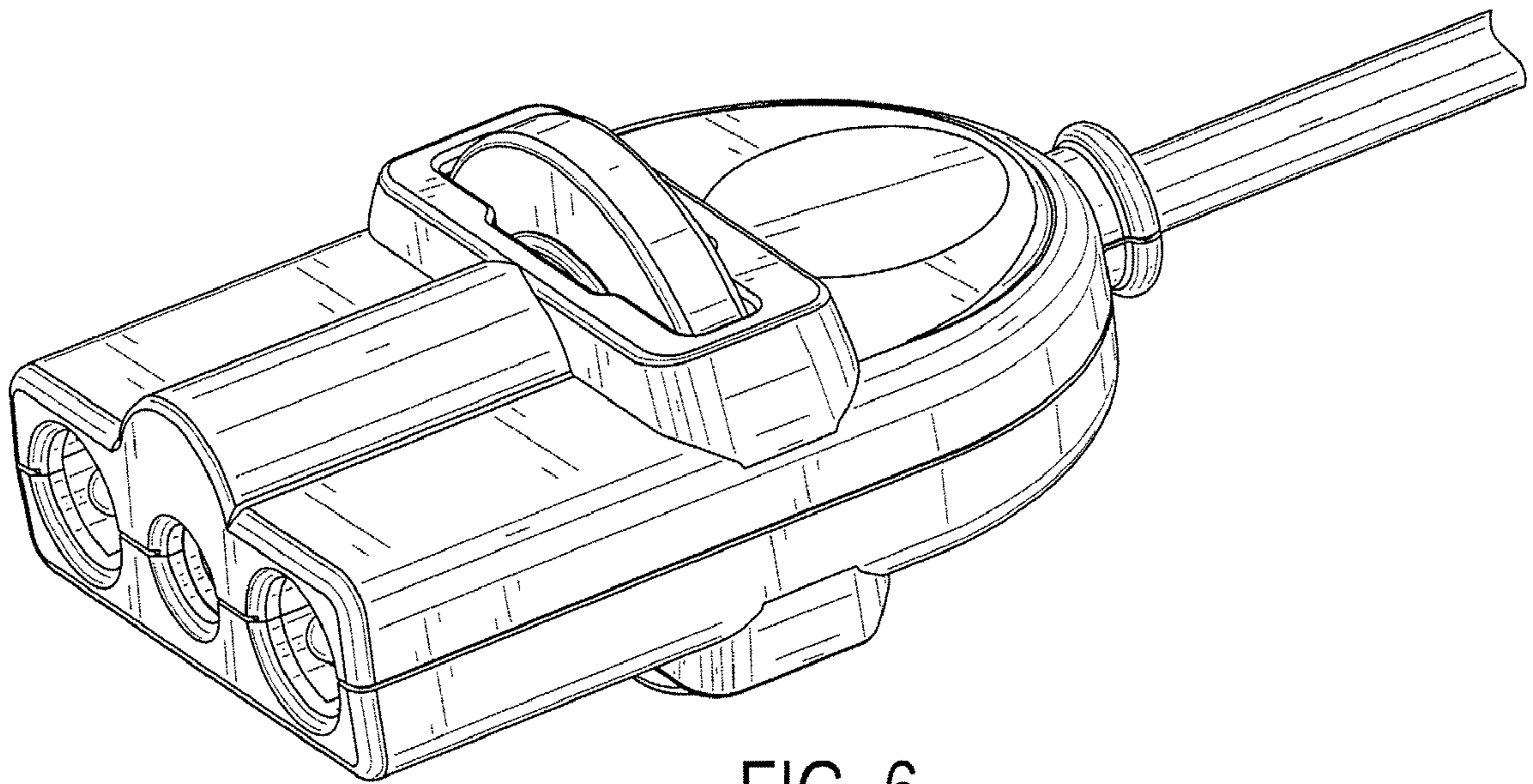


FIG. 6

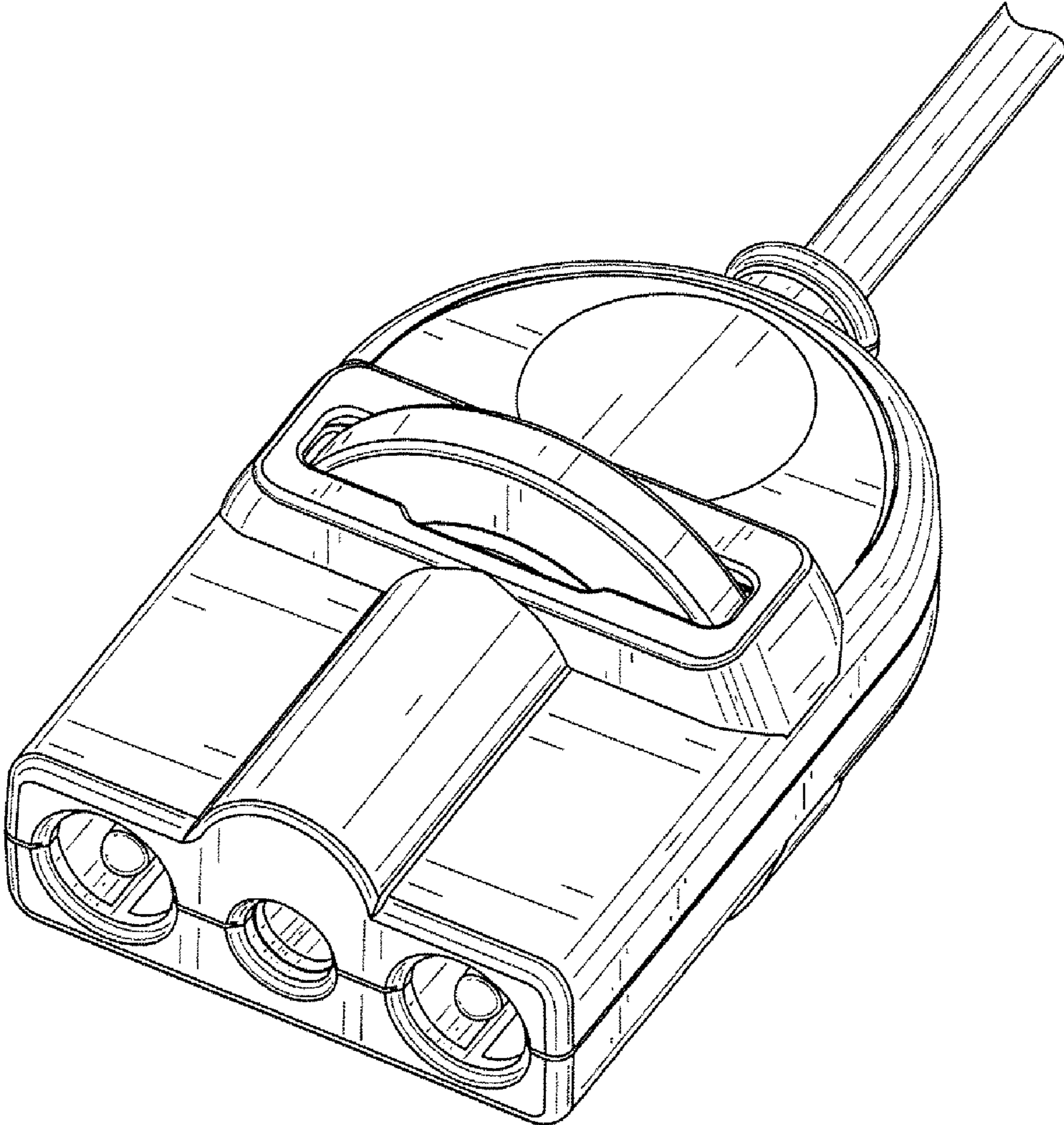


FIG. 7