



US00D577670S

(12) **United States Design Patent**  
**Oohashi et al.**

(10) **Patent No.:** **US D577,670 S**

(45) **Date of Patent:** **\*\* Sep. 30, 2008**

(54) **AC GENERATOR FOR VEHICLE**

(75) Inventors: **Atsushi Oohashi**, Chiyoda-ku (JP);  
**Shogo Okamoto**, Chiyoda-ku (JP);  
**Wakaki Miyaji**, Chiyoda-ku (JP)

(73) Assignee: **Mitsubishi Electric Corporation**,  
Tokyo (JP)

(\*\*) Term: **14 Years**

(21) Appl. No.: **29/298,196**

(22) Filed: **Nov. 30, 2007**

(30) **Foreign Application Priority Data**

May 30, 2007 (JP) ..... 2007-014360

(51) **LOC (8) Cl.** ..... **13-01**

(52) **U.S. Cl.** ..... **D13/113; D13/114**

(58) **Field of Classification Search** ..... D13/113,  
D13/112, 114, 122, 199; D15/1-3, 5; 29/596;  
310/10, 20, 27, 40 R, 51, 159  
See application file for complete search history.

(56) **References Cited**

**U.S. PATENT DOCUMENTS**

931,620 A \* 8/1909 Kelley ..... 310/51  
3,008,777 A \* 11/1961 Wightman ..... 384/408  
D384,033 S \* 9/1997 Takeda et al. .... D13/114

5,767,600 A \* 6/1998 Whiteley ..... 310/184  
D398,286 S \* 9/1998 Becker et al. .... D13/114  
D401,687 S \* 11/1998 Pearce et al. .... D23/411  
6,161,274 A \* 12/2000 Stark et al. .... 29/596  
D467,541 S \* 12/2002 Hemphill ..... D13/114

**FOREIGN PATENT DOCUMENTS**

JP 2002142423 A 5/2002

\* cited by examiner

*Primary Examiner*—Prabhakar Deshmukh

*Assistant Examiner*—Derrick Holland

(74) *Attorney, Agent, or Firm*—Sughrue Mion, PLLC

(57) **CLAIM**

The ornamental design for an AC generator for vehicle, as shown and described.

**DESCRIPTION**

FIG. 1 is a right side, top and front perspective view of an AC generator for vehicle, showing our new design;

FIG. 2 is a front elevational view thereof;

FIG. 3 is a rear elevational view thereof;

FIG. 4 is a top plan view thereof;

FIG. 5 is a bottom plan view thereof;

FIG. 6 is a right side elevational view thereof; and,

FIG. 7 is a left side elevational view thereof.

**1 Claim, 7 Drawing Sheets**

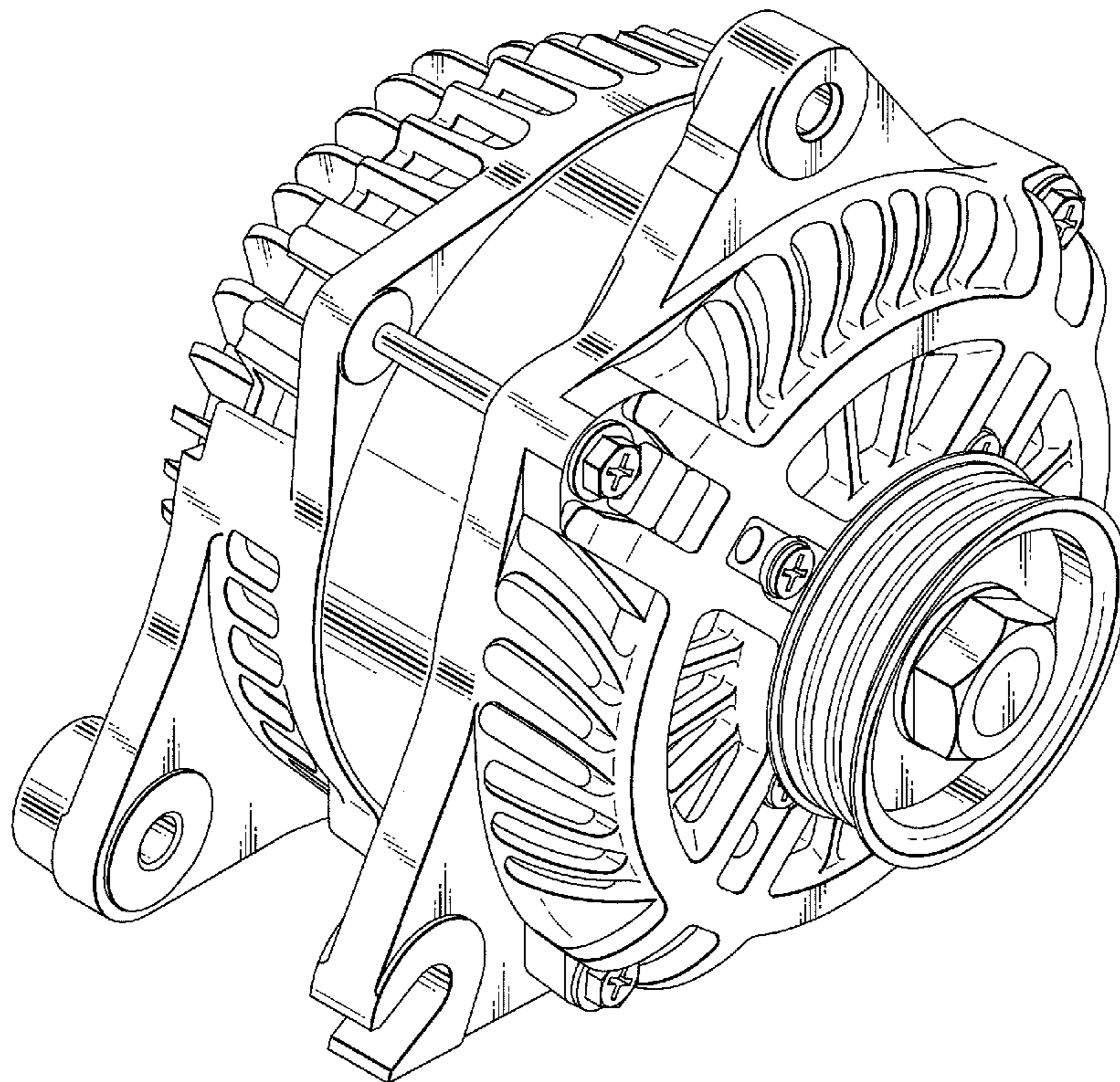


FIG. 1

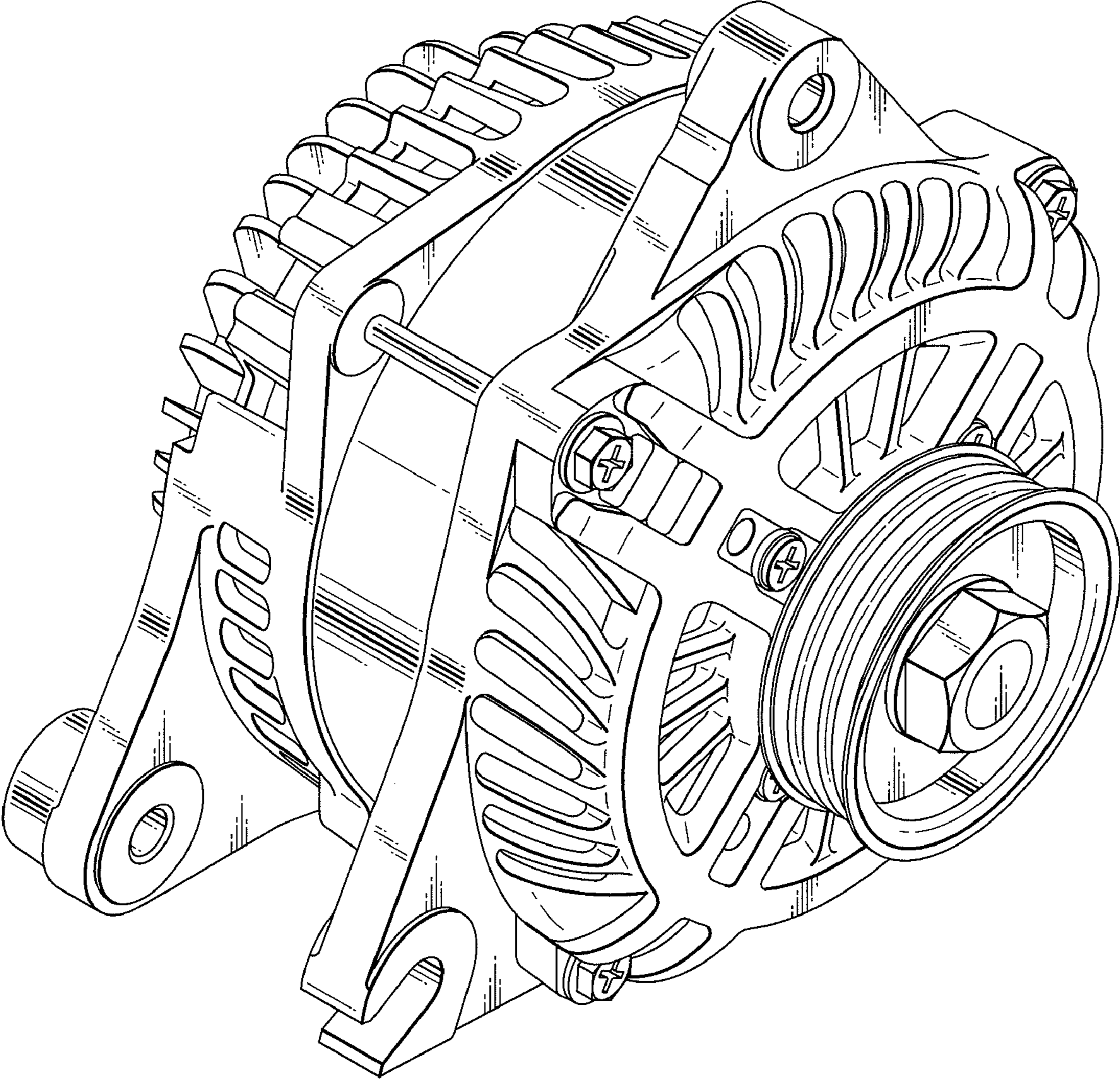


FIG.2

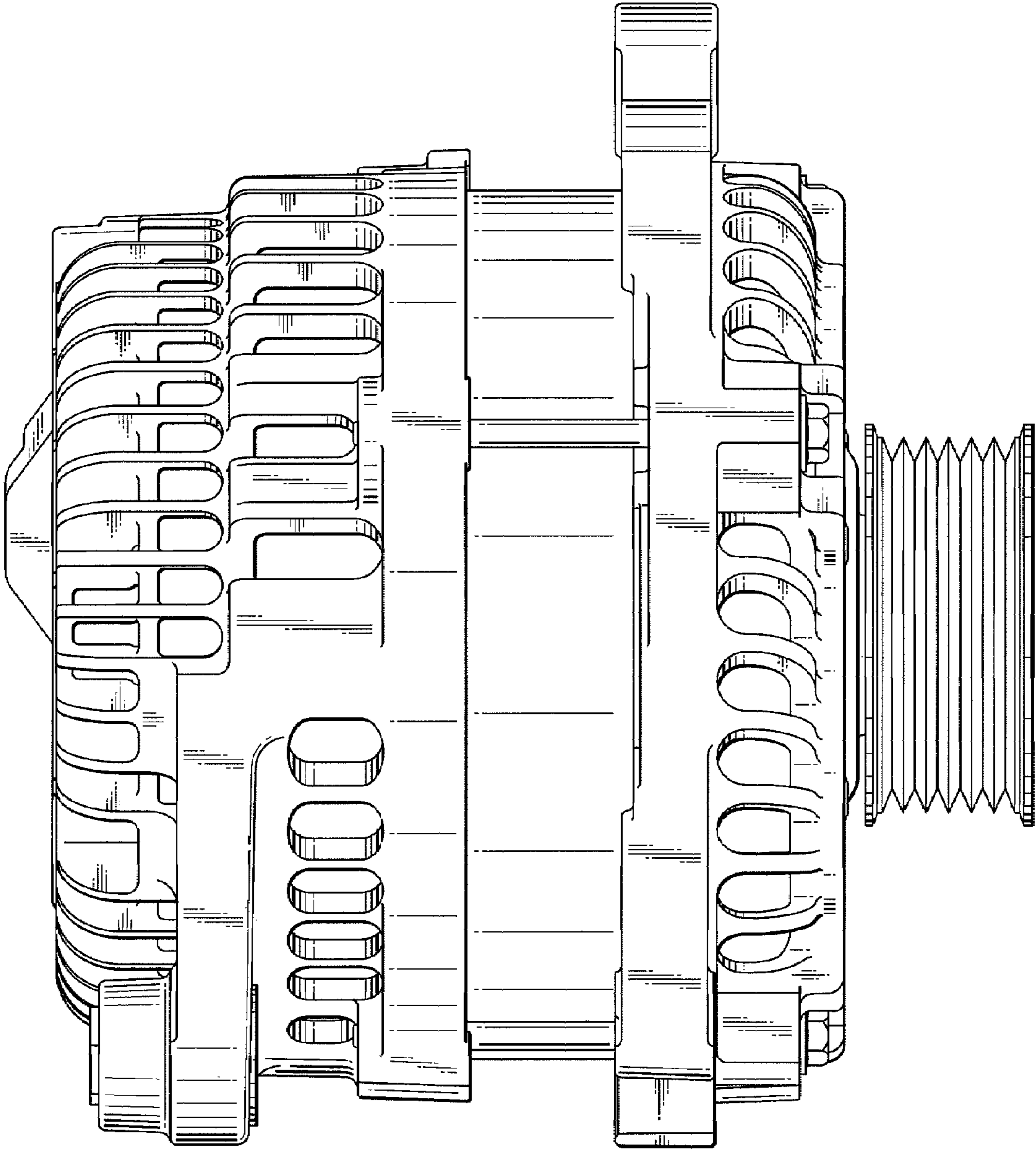


FIG.3

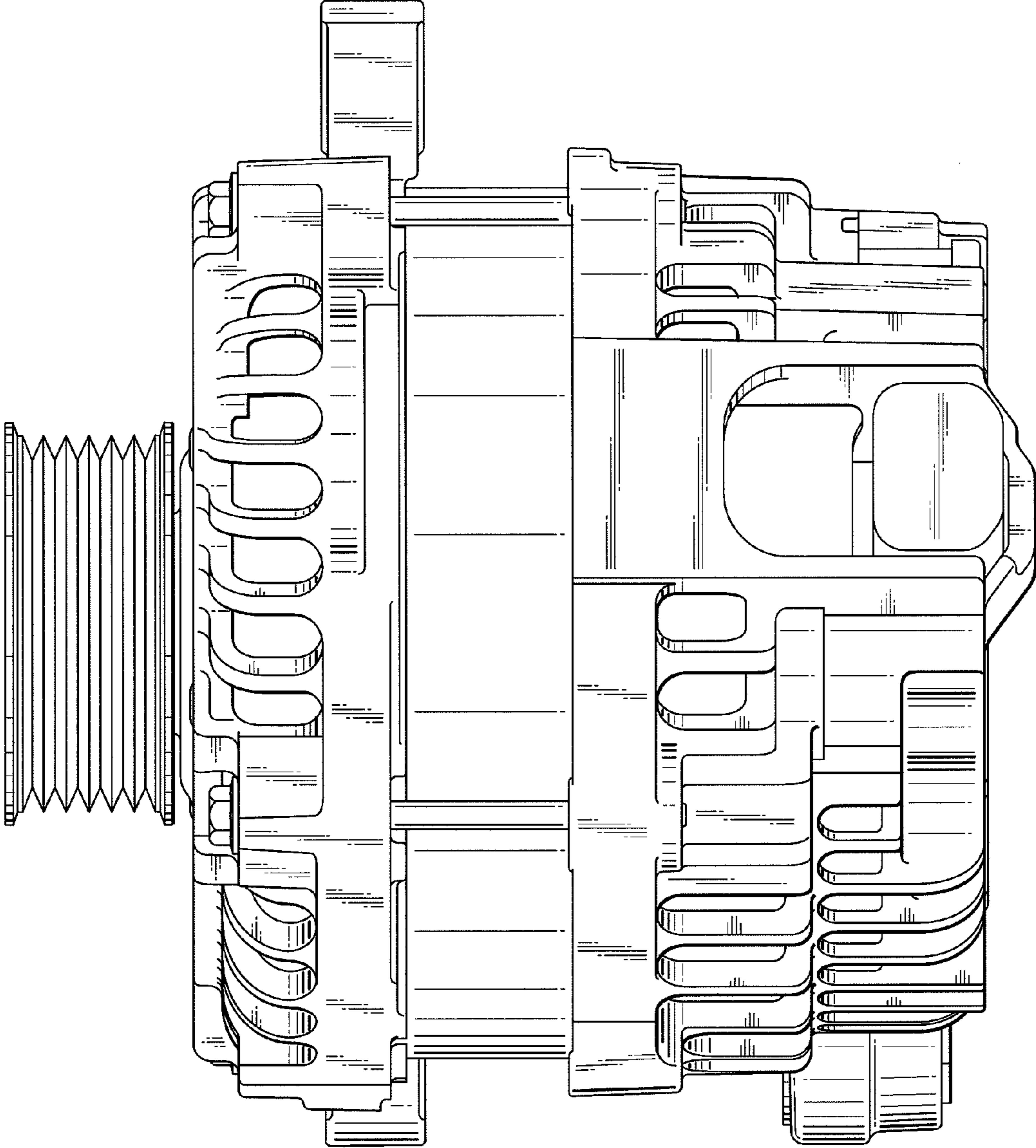


FIG.4

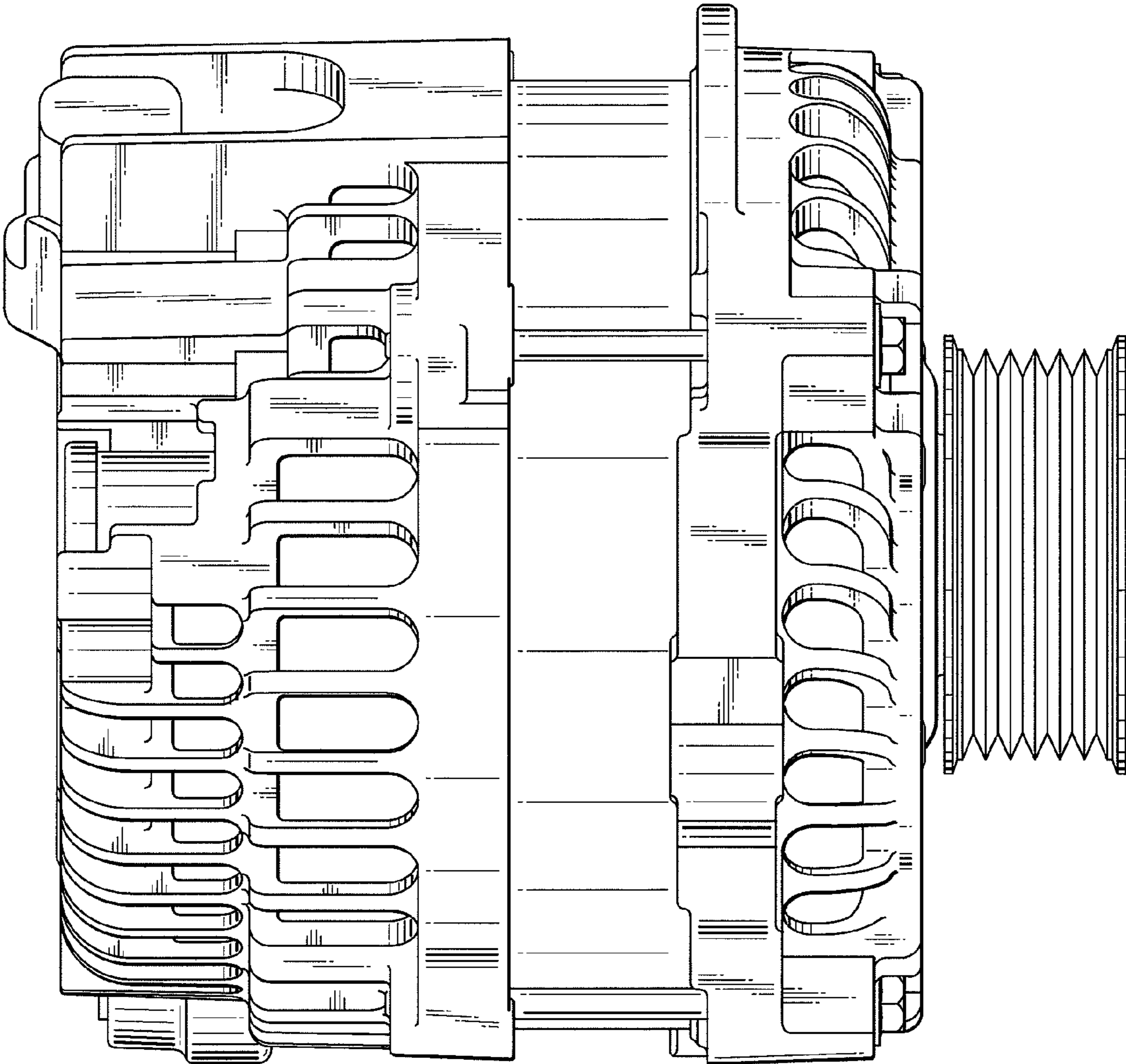


FIG.5

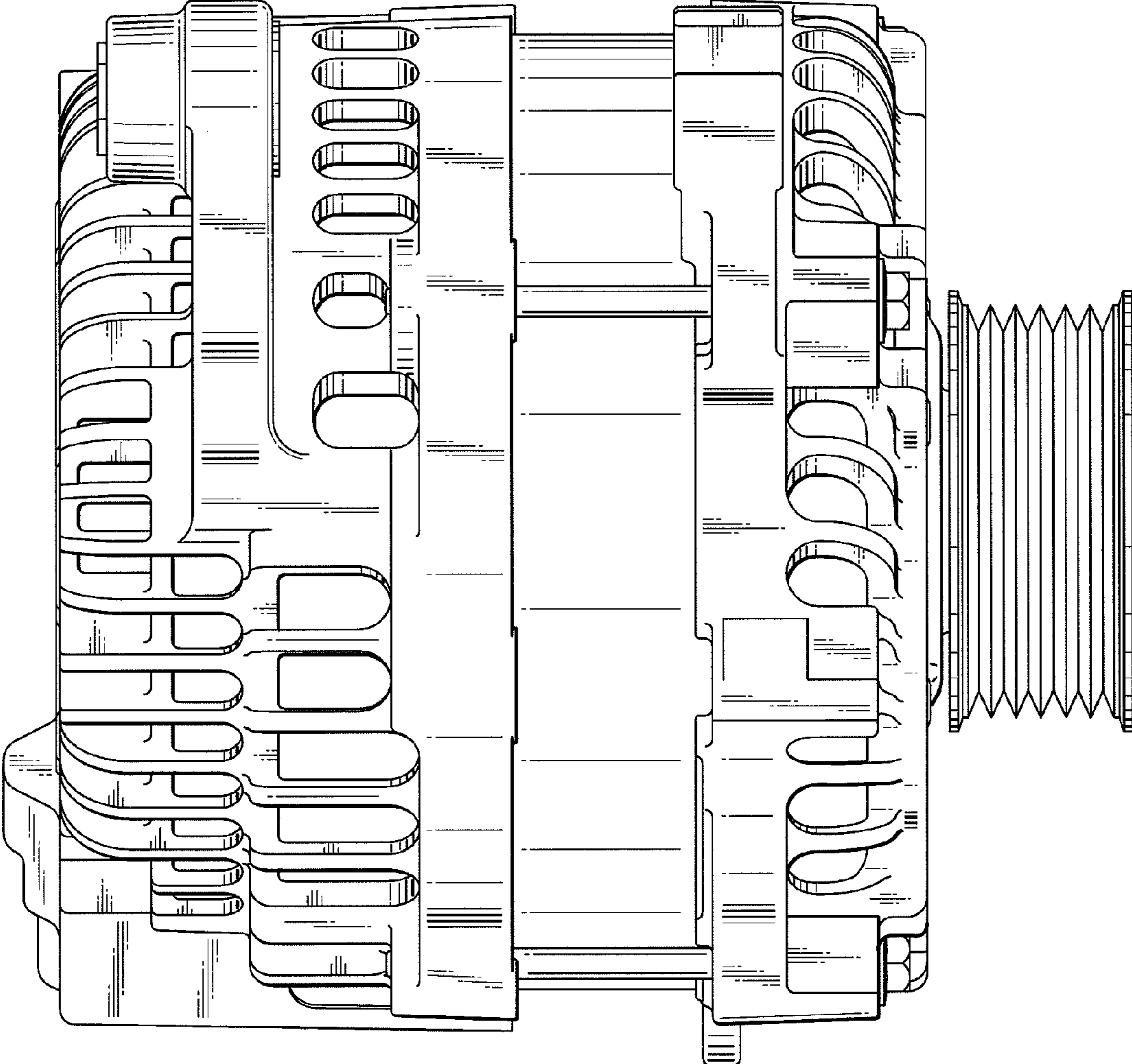


FIG.6

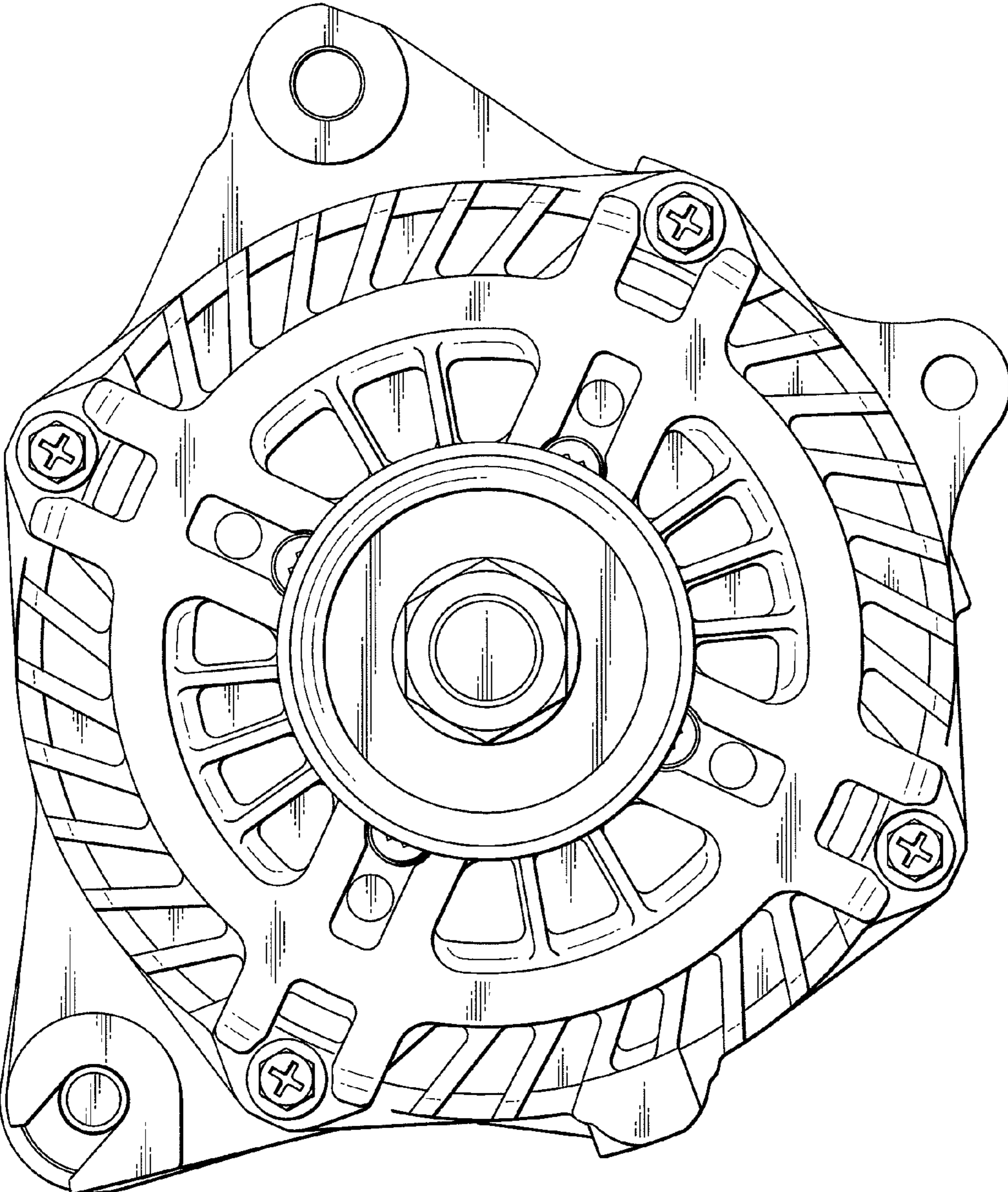


FIG.7

