



US00D577669S

(12) **United States Design Patent**
Hornberger

(10) **Patent No.:** **US D577,669 S**

(45) **Date of Patent:** **** Sep. 30, 2008**

(54) **CONVEYOR BELT MOTOR**

(75) Inventor: **Jörg Hornberger**, Dornstetten-Aach (DE)

(73) Assignee: **EBM-PAPST St. Georgen GmbH & Co. KG**, St. Georgen (DE)

(**) Term: **14 Years**

(21) Appl. No.: **29/302,676**

(22) Filed: **Jan. 22, 2008**

(30) **Foreign Application Priority Data**

Jul. 30, 2007 (DE) 4 07 04 078

(51) **LOC (8) Cl.** **13-01**

(52) **U.S. Cl.** **D13/112**

(58) **Field of Classification Search** D13/112,
D13/113, 114, 122, 199; D15/5, 199; 310/40 R,
310/89, 98, 109, 130, 137, 177; 318/9-15,
318/254

See application file for complete search history.

(56) **References Cited**

U.S. PATENT DOCUMENTS

D167,139 S * 7/1952 Dochterman D13/112
D168,397 S * 12/1952 Dochterman D13/112
D198,375 S * 6/1964 Cunnigham D13/112
D205,662 S * 9/1966 Bluemink D13/112

D245,498 S * 8/1977 Andreas D13/112
D304,169 S * 10/1989 Hoshino et al. D13/112
D325,560 S * 4/1992 Baines D13/112
D372,457 S * 8/1996 Okuyama et al. D13/112
D424,516 S * 5/2000 Friedrichsen D13/112
D457,493 S * 5/2002 Borges D13/112
6,657,338 B2 * 12/2003 Fisher et al. 310/89

* cited by examiner

Primary Examiner—Prabhakar Deshmukh

Assistant Examiner—Derrick Holland

(74) *Attorney, Agent, or Firm*—Milton Oliver, Esq.; Ware, Fressola, VDS & Adolphson, LLP

(57) **CLAIM**

The ornamental design for a conveyor belt motor, as shown and described.

DESCRIPTION

FIG. 1 is a front and top perspective view of a conveyor belt motor showing my new design;

FIG. 2 is an enlarged top plan view thereof;

FIG. 3 is an enlarged bottom plan view thereof;

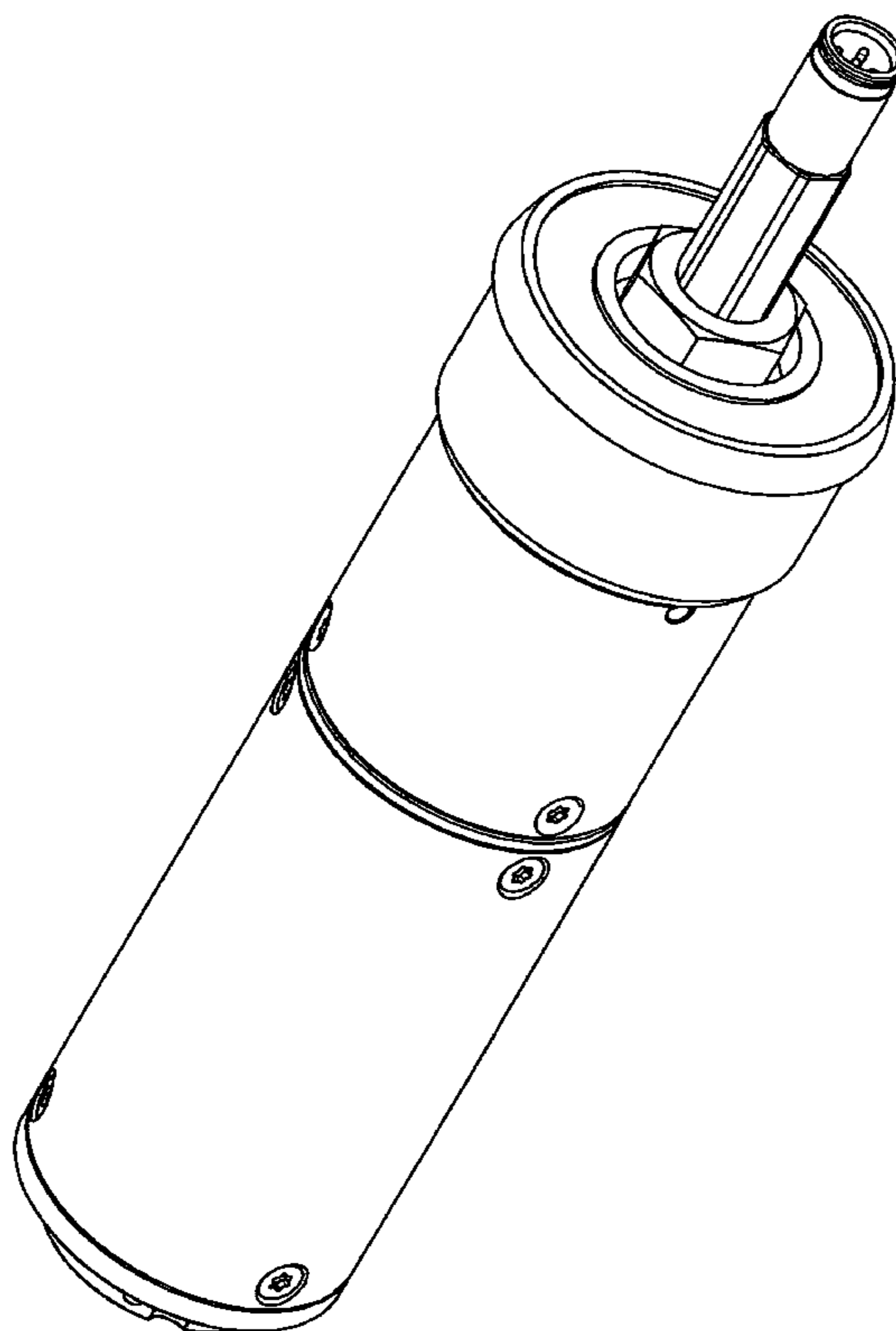
FIG. 4 is a front elevation view thereof;

FIG. 5 is a left side elevation view thereof;

FIG. 6 is a right side elevation view thereof; and,

FIG. 7 is a rear elevation view thereof.

1 Claim, 7 Drawing Sheets



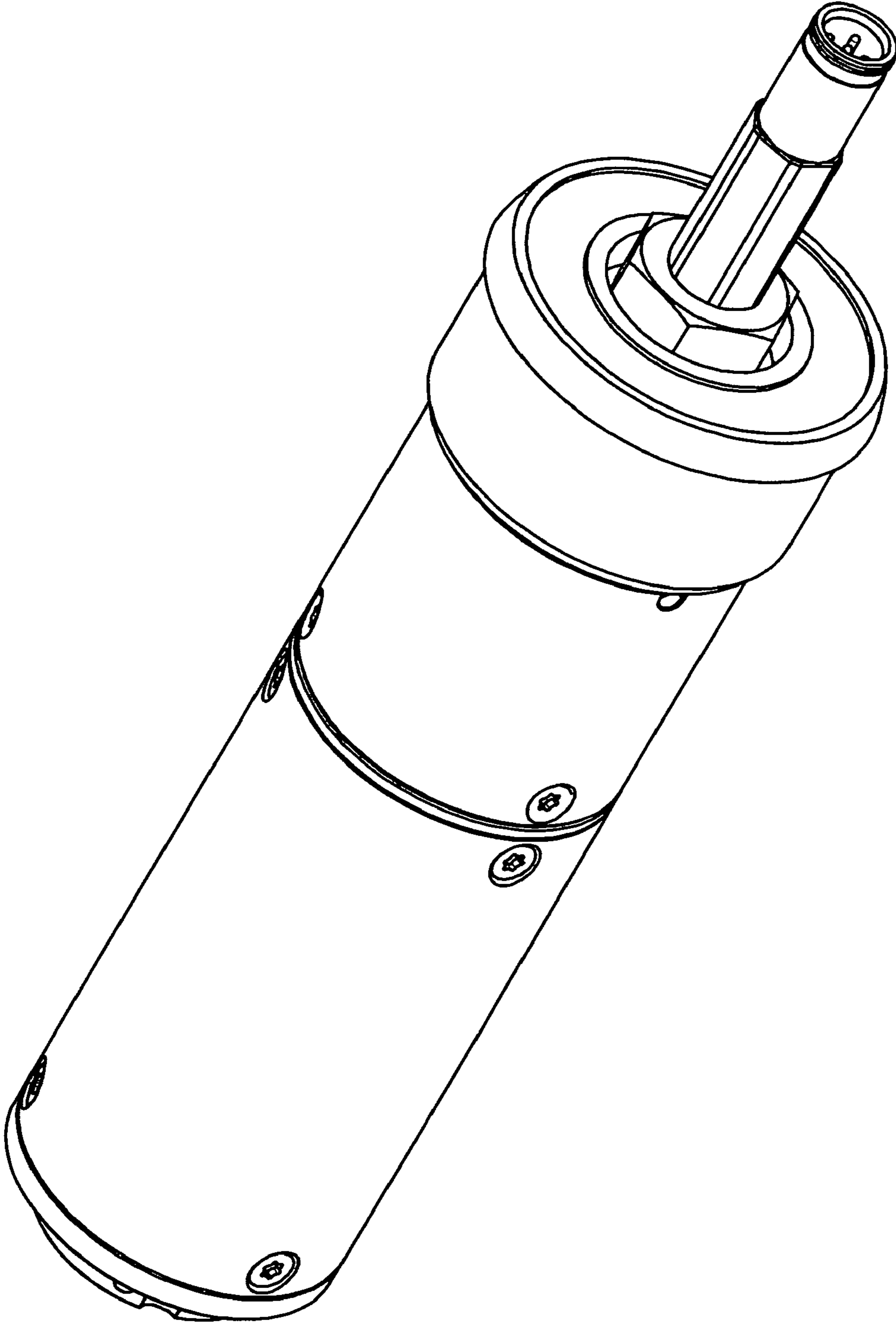


FIG. 1

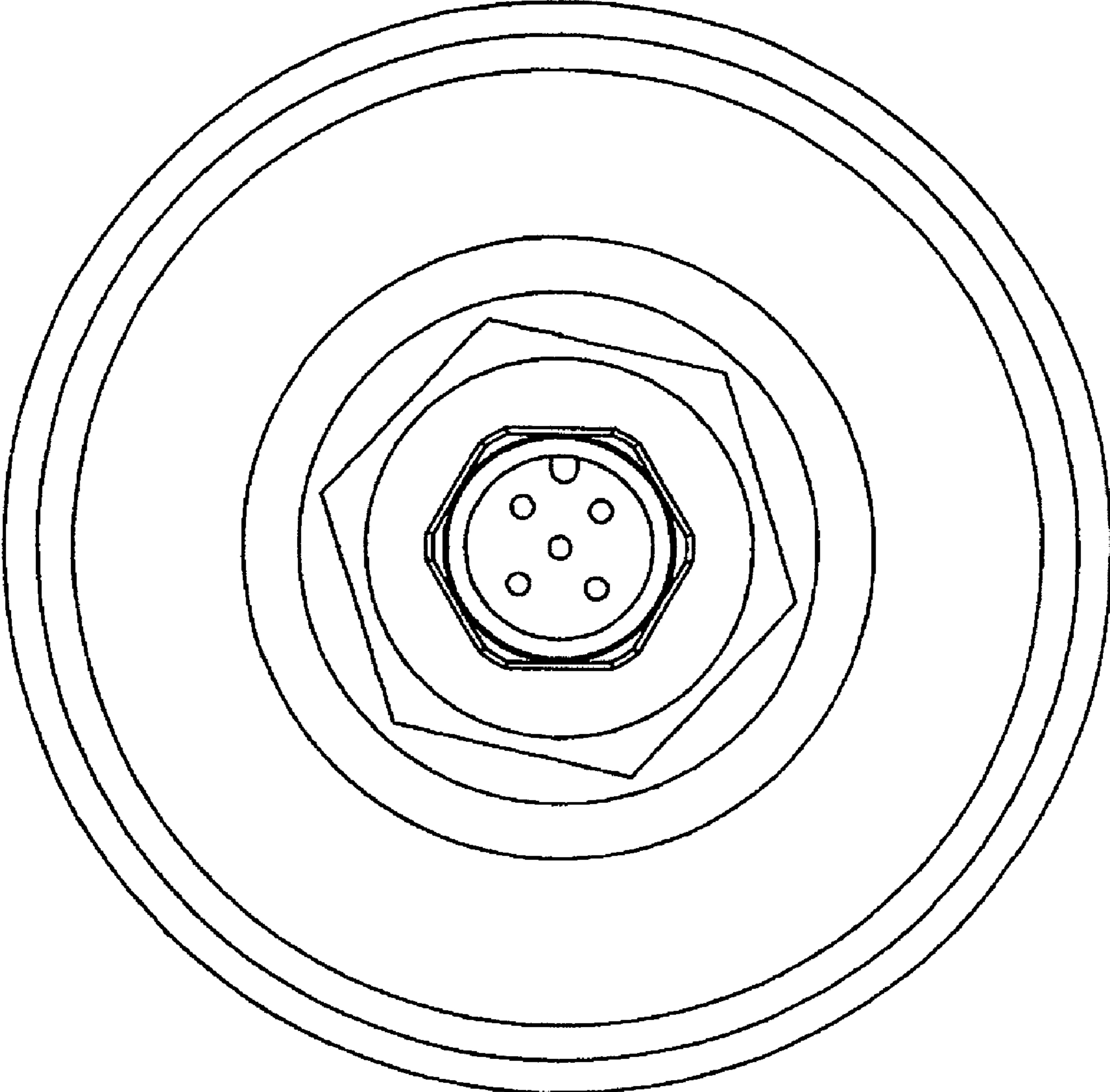


FIG. 2

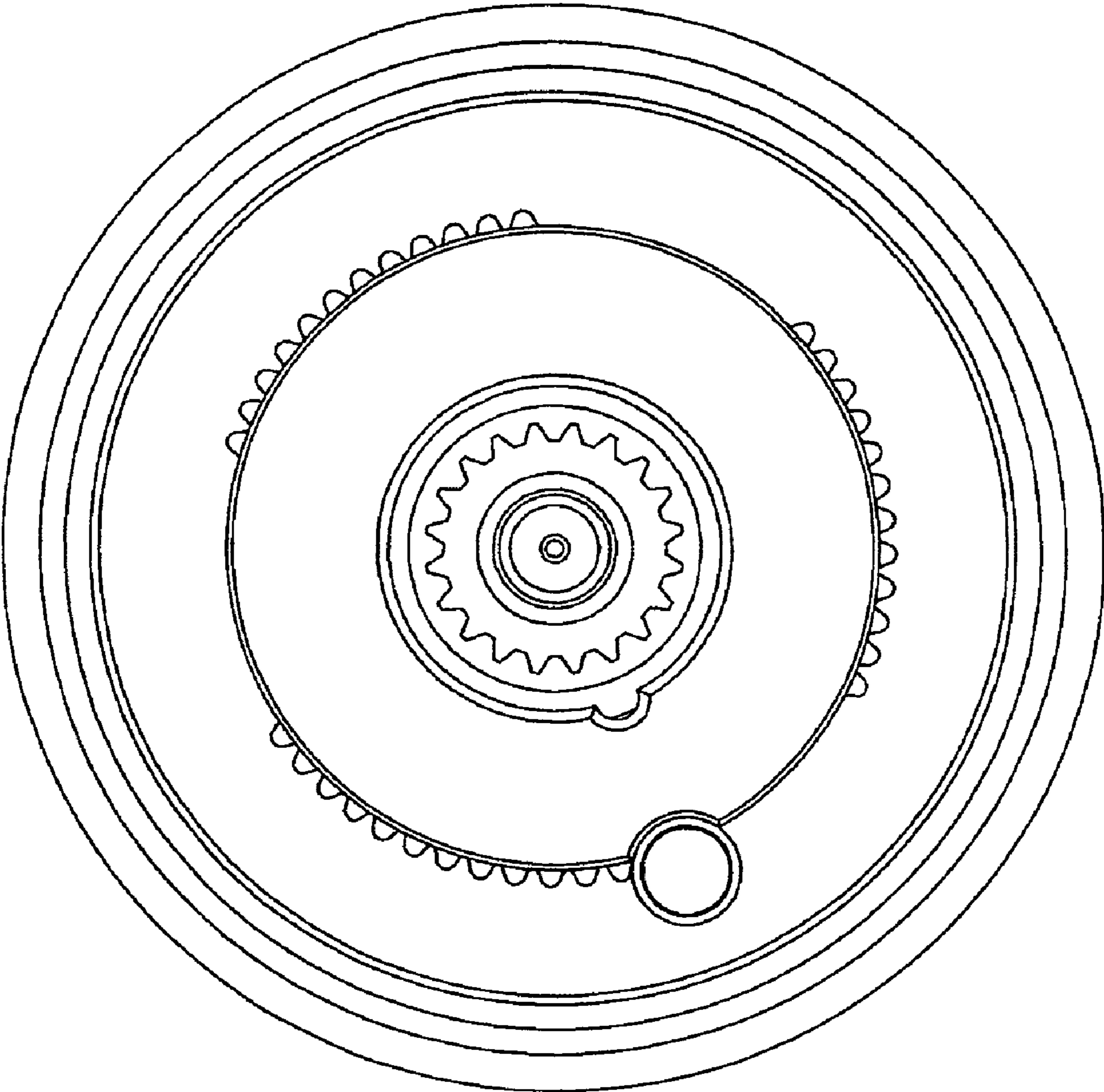


FIG. 3

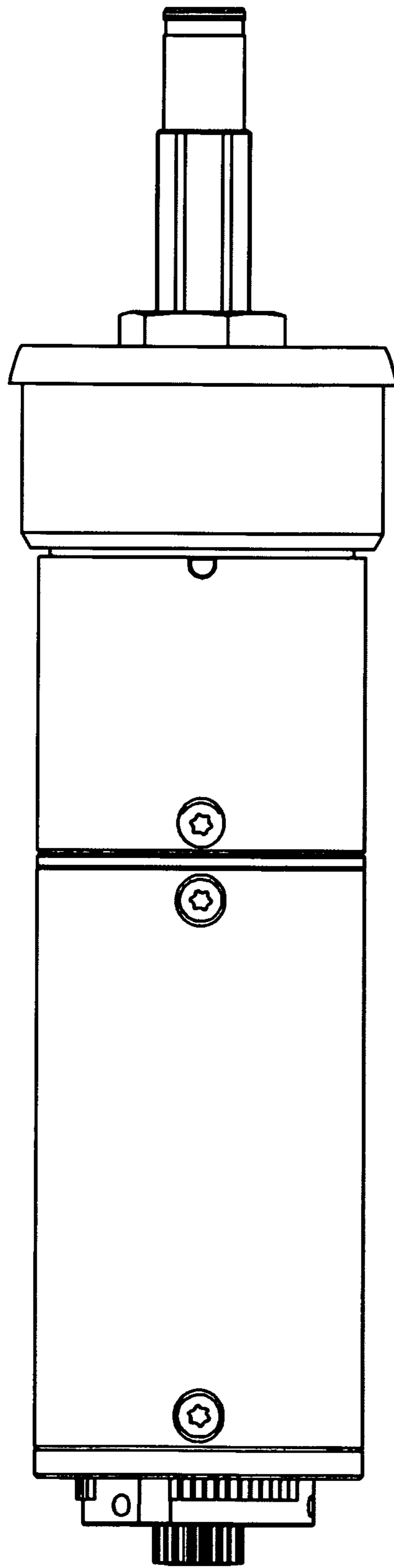


FIG. 4

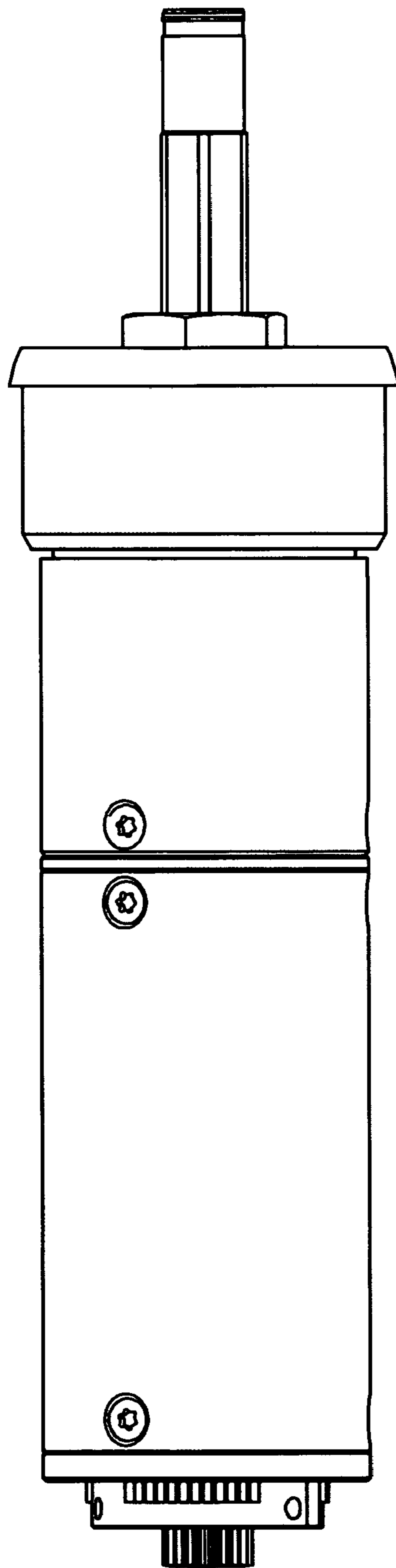


FIG. 5

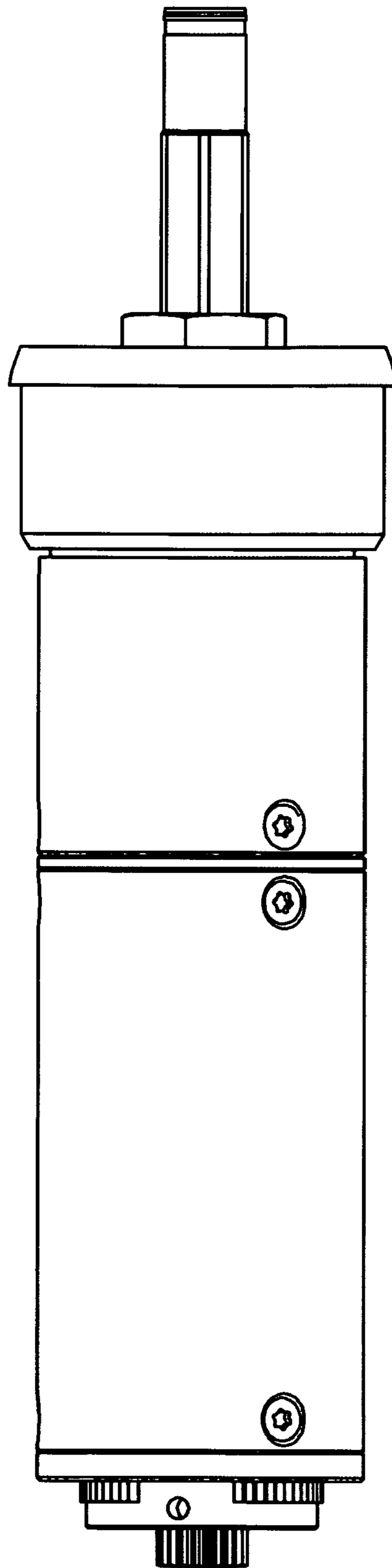


FIG. 6

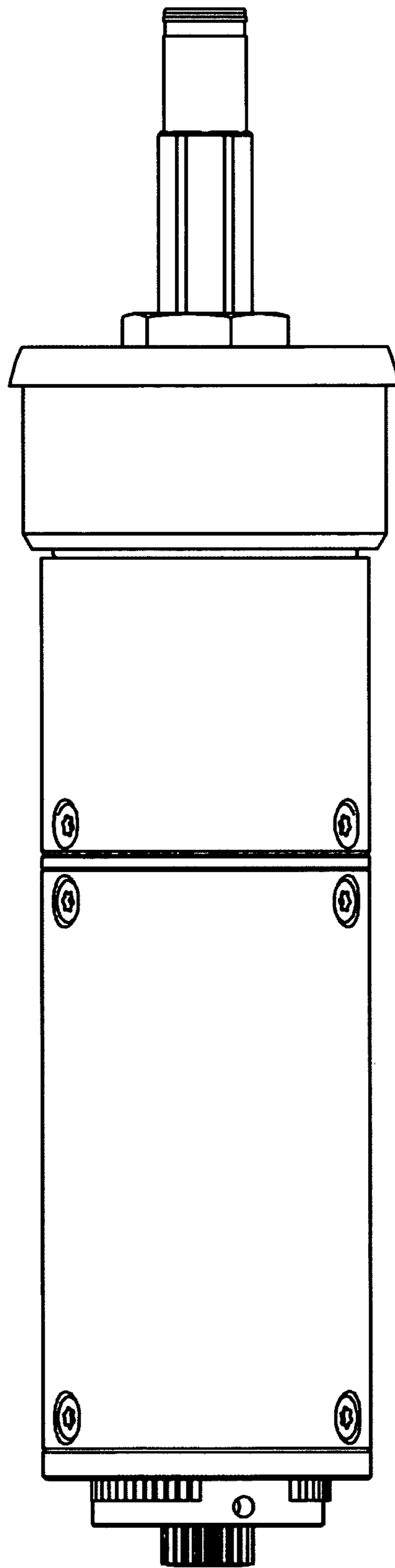


FIG. 7