



US00D577666S

(12) **United States Design Patent**  
**Nishizawa**

(10) **Patent No.:** **US D577,666 S**  
(45) **Date of Patent:** **\*\* Sep. 30, 2008**

(54) **CHARGER FOR ELECTRIC SHAVER WITH DRYER**

(75) Inventor: **Tsuyoshi Nishizawa**, Yokohama (JP)

(73) Assignee: **Matsushita Electric Works, Ltd.**,  
Osaka (JP)

(\*\*) Term: **14 Years**

(21) Appl. No.: **29/297,540**

(22) Filed: **Nov. 13, 2007**

(30) **Foreign Application Priority Data**

May 14, 2007 (JP) ..... 2007-012576

(51) **LOC (8) Cl.** ..... **13-02**

(52) **U.S. Cl.** ..... **D13/108**

(58) **Field of Classification Search** ..... D13/107-110,  
D13/118-119, 184; D14/251, 253, 432,  
D14/434; 320/107-115; D28/73

See application file for complete search history.

(56) **References Cited**

**U.S. PATENT DOCUMENTS**

D197,208 S *	12/1963	Cassidy et al.	.....	D4/101
D334,170 S *	3/1993	Rams et al.	.....	D13/108
D449,708 S *	10/2001	Ullmann	.....	D28/44
D466,700 S *	12/2002	Richmond et al.	.....	D4/199
D475,346 S *	6/2003	McCurrach et al.	.....	D13/108
D513,341 S *	12/2005	Ullmann	.....	D28/44
D516,022 S *	2/2006	Winkler	.....	D13/108
D519,682 S *	4/2006	Choi	.....	D28/73
D535,787 S *	1/2007	Lin	.....	D28/53
D549,647 S *	8/2007	Nishizawa	.....	D13/108

\* cited by examiner

*Primary Examiner*—Jennifer Rivard

*Assistant Examiner*—Rosemary K Tarca

(74) *Attorney, Agent, or Firm*—Osha · Liang LLP

(57) **CLAIM**

The ornamental design for a charger for electric shaver with dryer, as shown and described.

**DESCRIPTION**

FIG. 1 is a perspective view of front, left side and top plan view of a charger for electric shaver with dryer showing my new design;

FIG. 2 is a front view thereof;

FIG. 3 is a rear view thereof;

FIG. 4 is a right side view thereof;

FIG. 5 is a left side view thereof;

FIG. 6 is a top plan view thereof;

FIG. 7 is a bottom plan view thereof;

FIG. 8 is an end view at cross-section 8—8 of FIG. 2, where the internal components are omitted;

FIG. 9 is a perspective view showing an environmental use thereof;

FIG. 10 is a perspective view of front, left side and top plan view of the new design in an alternate position;

FIG. 11 is a front view thereof;

FIG. 12 is a rear view thereof;

FIG. 13 is a top plan view thereof;

FIG. 14 is a bottom plan view thereof;

FIG. 15 is a right side view thereof;

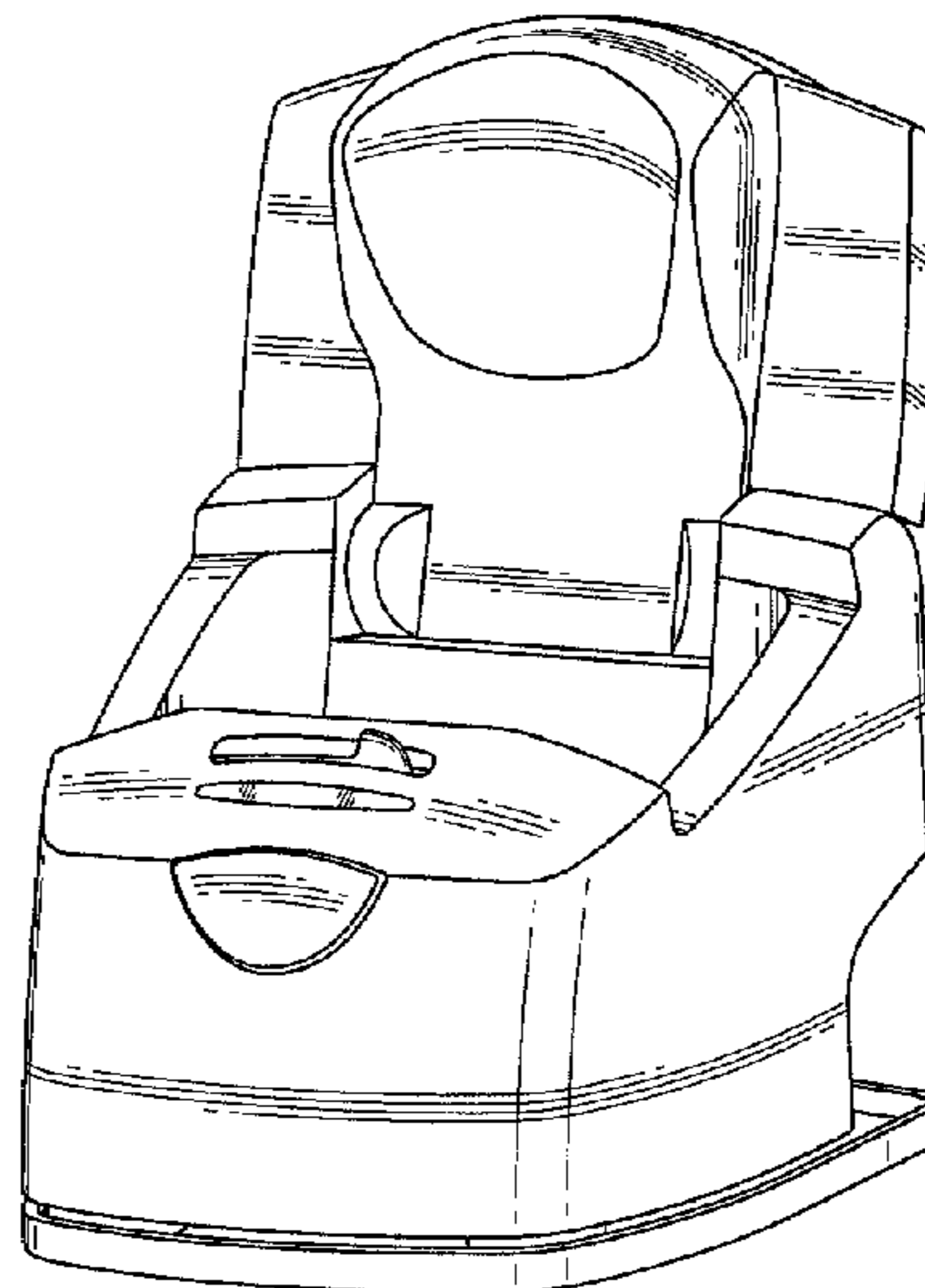
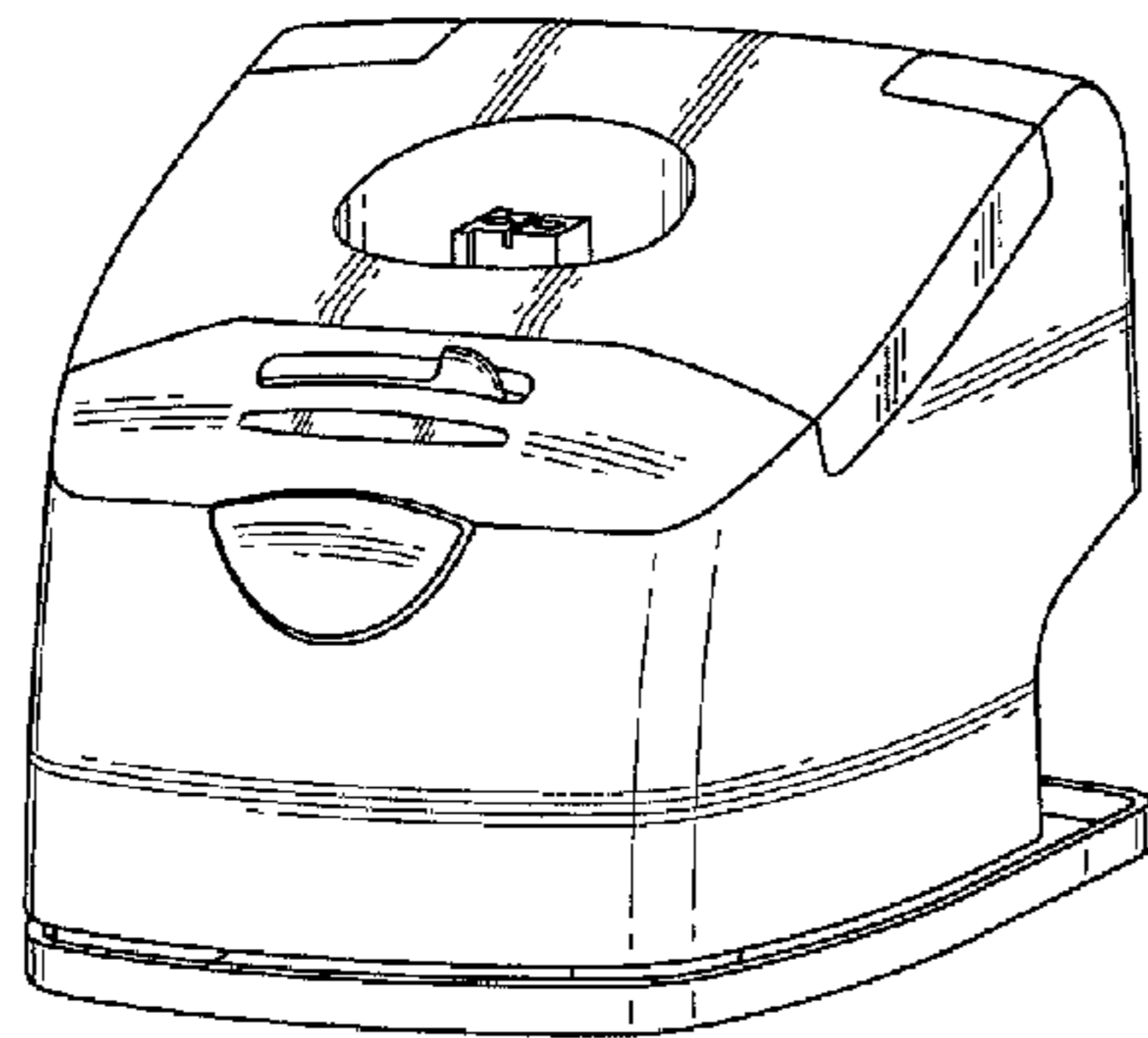
FIG. 16 is a left side view thereof;

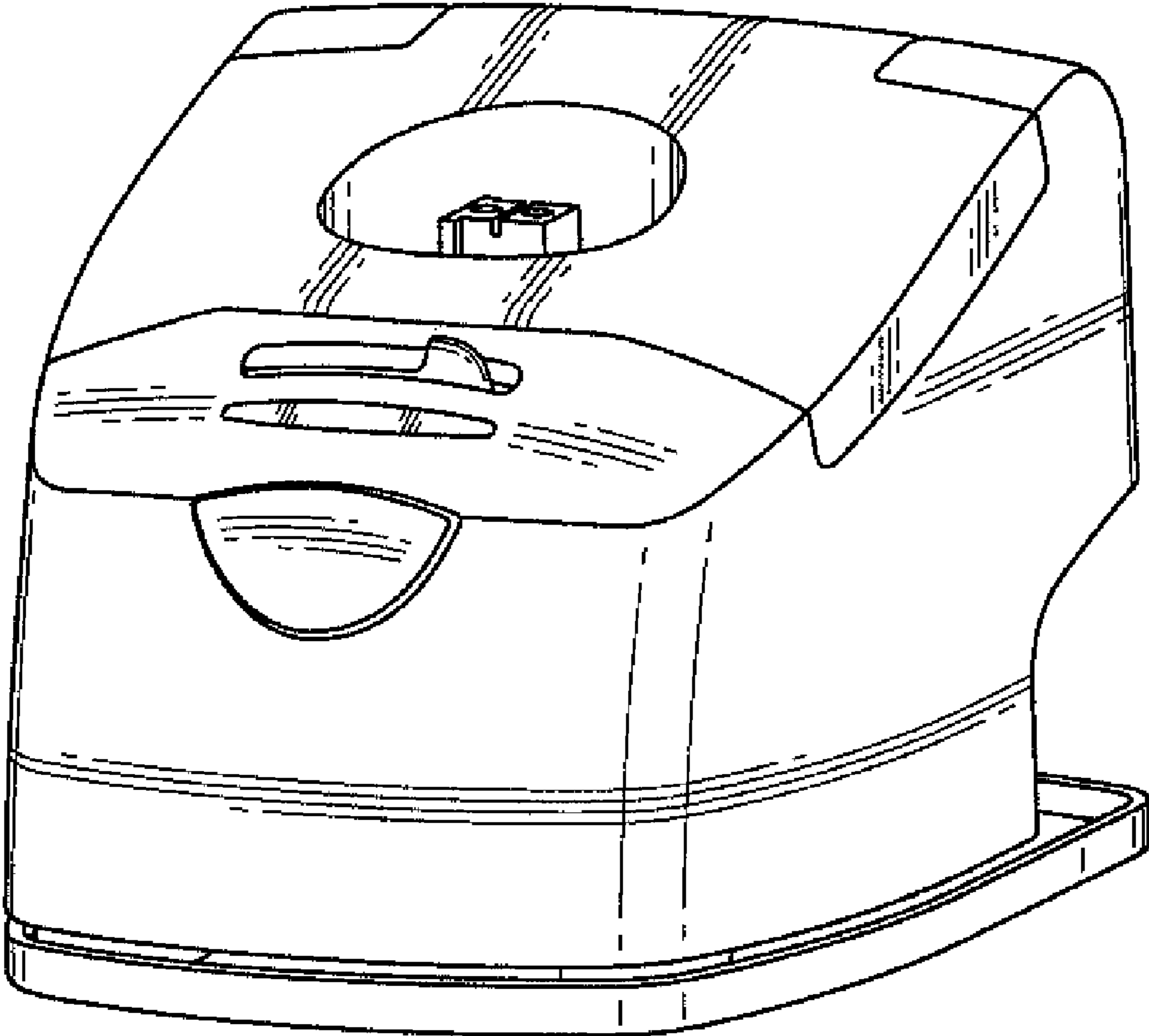
FIG. 17 is a cross-sectional view thereof, taken at line 17—17 of FIG. 11; and,

FIG. 18 is a perspective view showing an environmental use thereof.

The elements shown in broken lines are for illustrative purposes only and form no part of the claimed invention.

**1 Claim, 13 Drawing Sheets**





**FIG. 1**

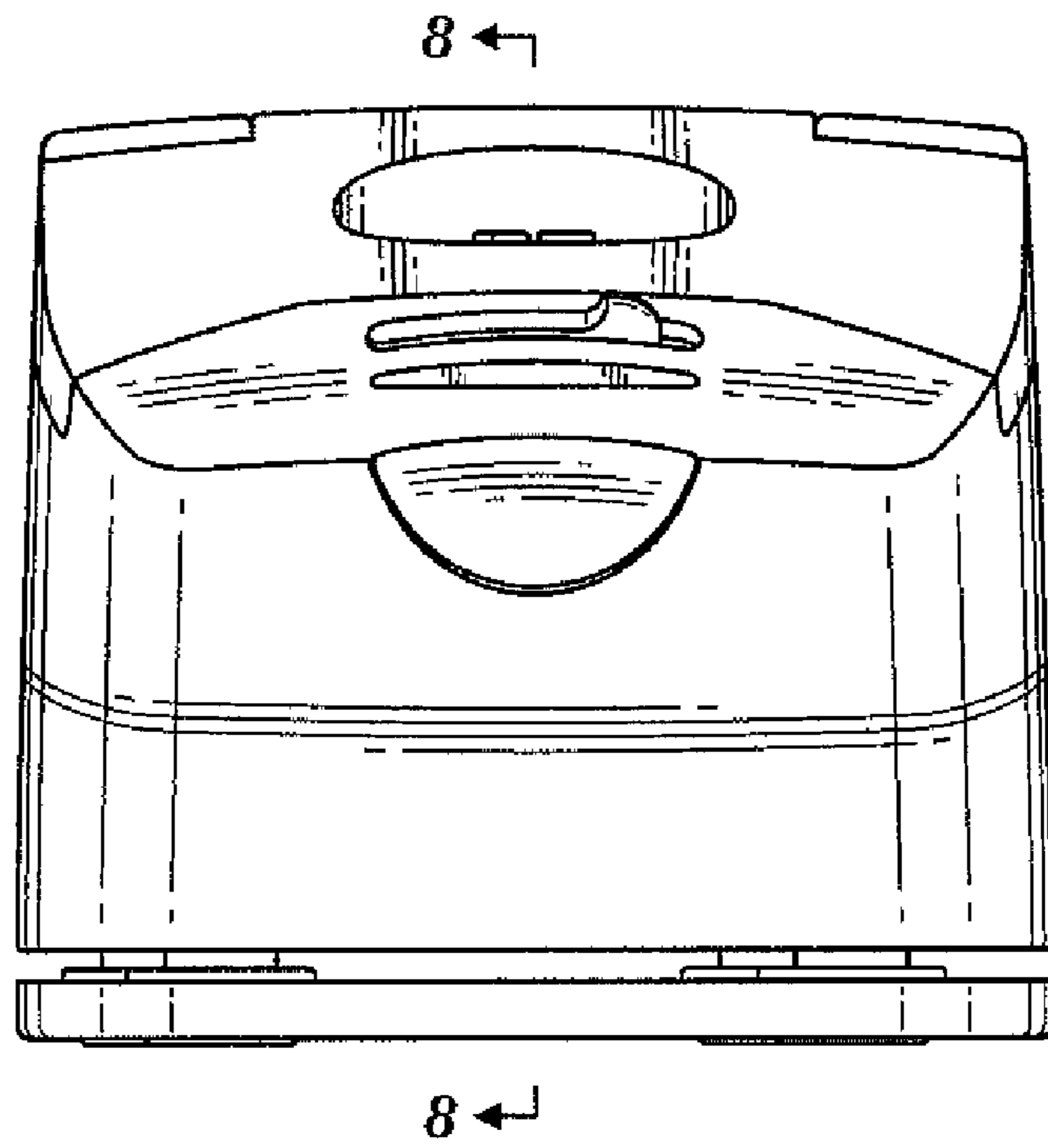


FIG. 2

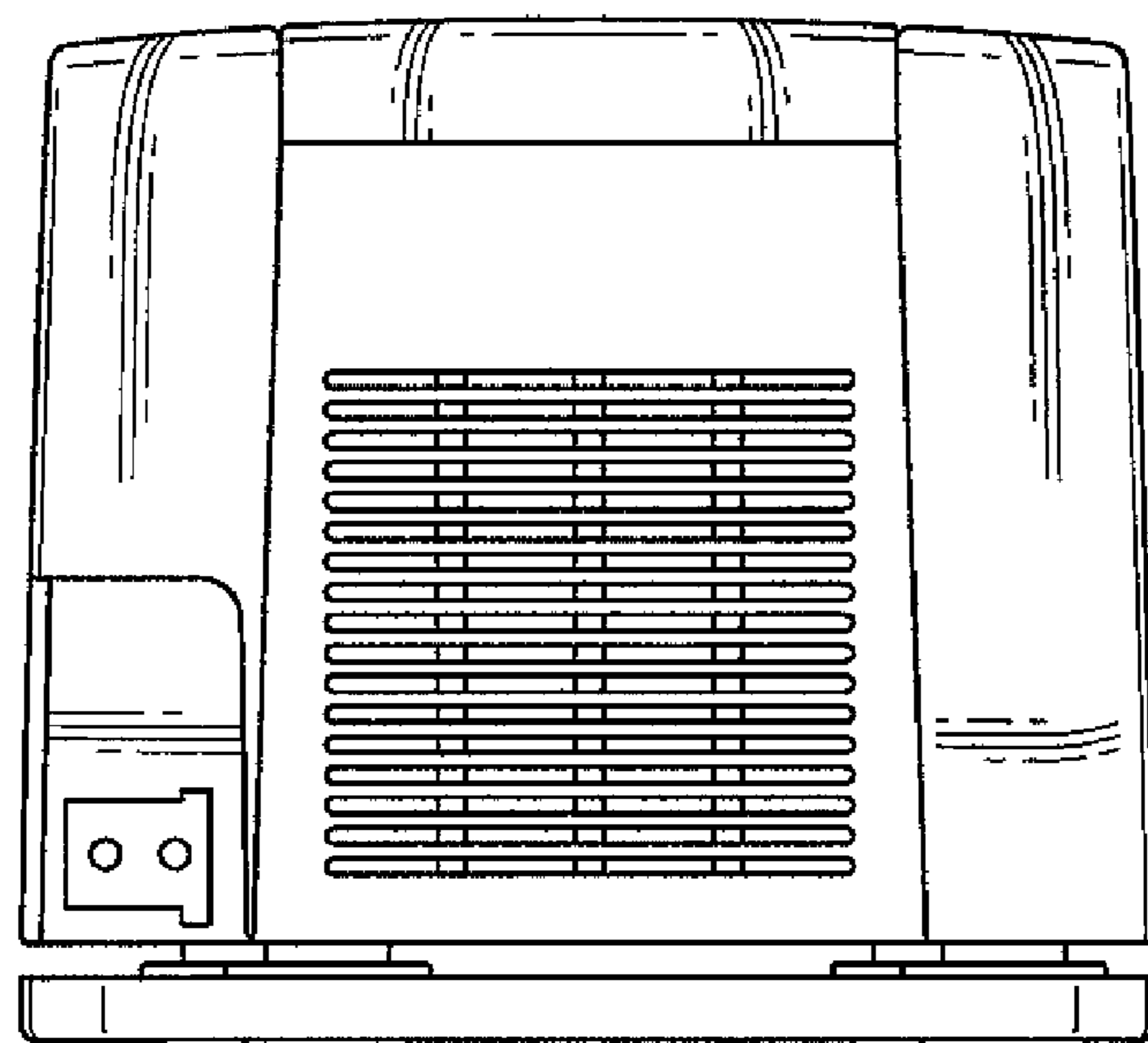


FIG. 3

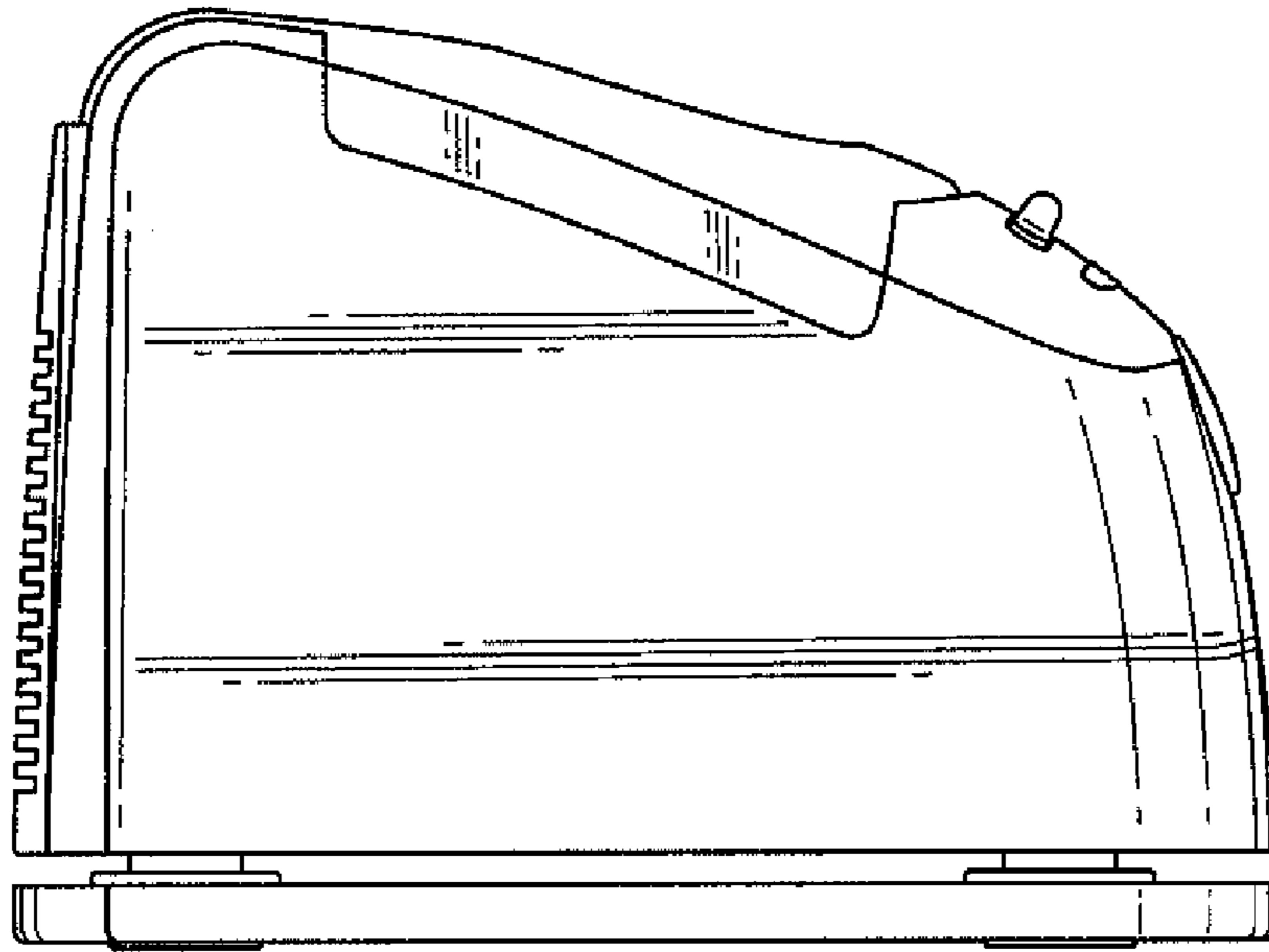


FIG. 4

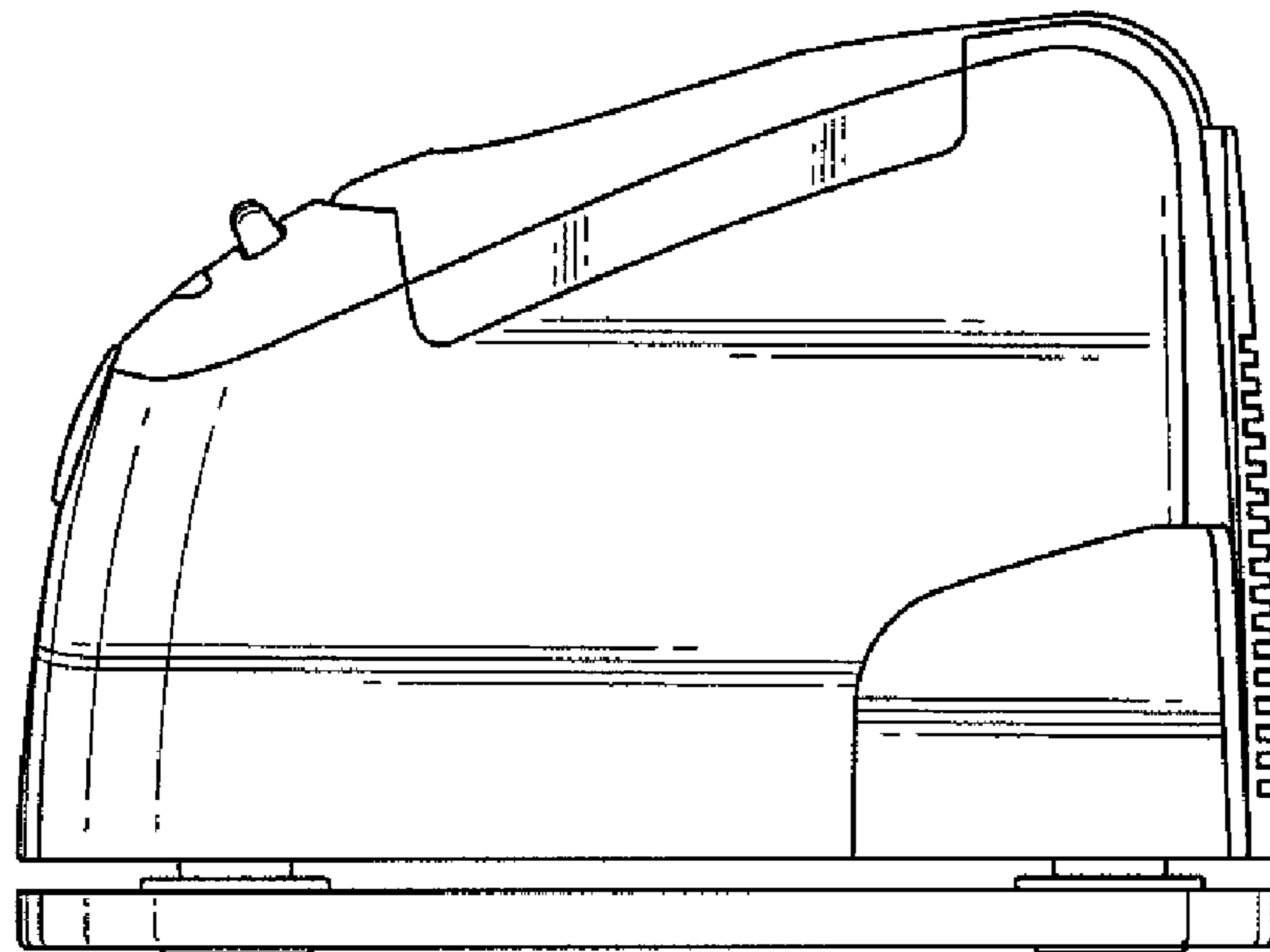


FIG. 5

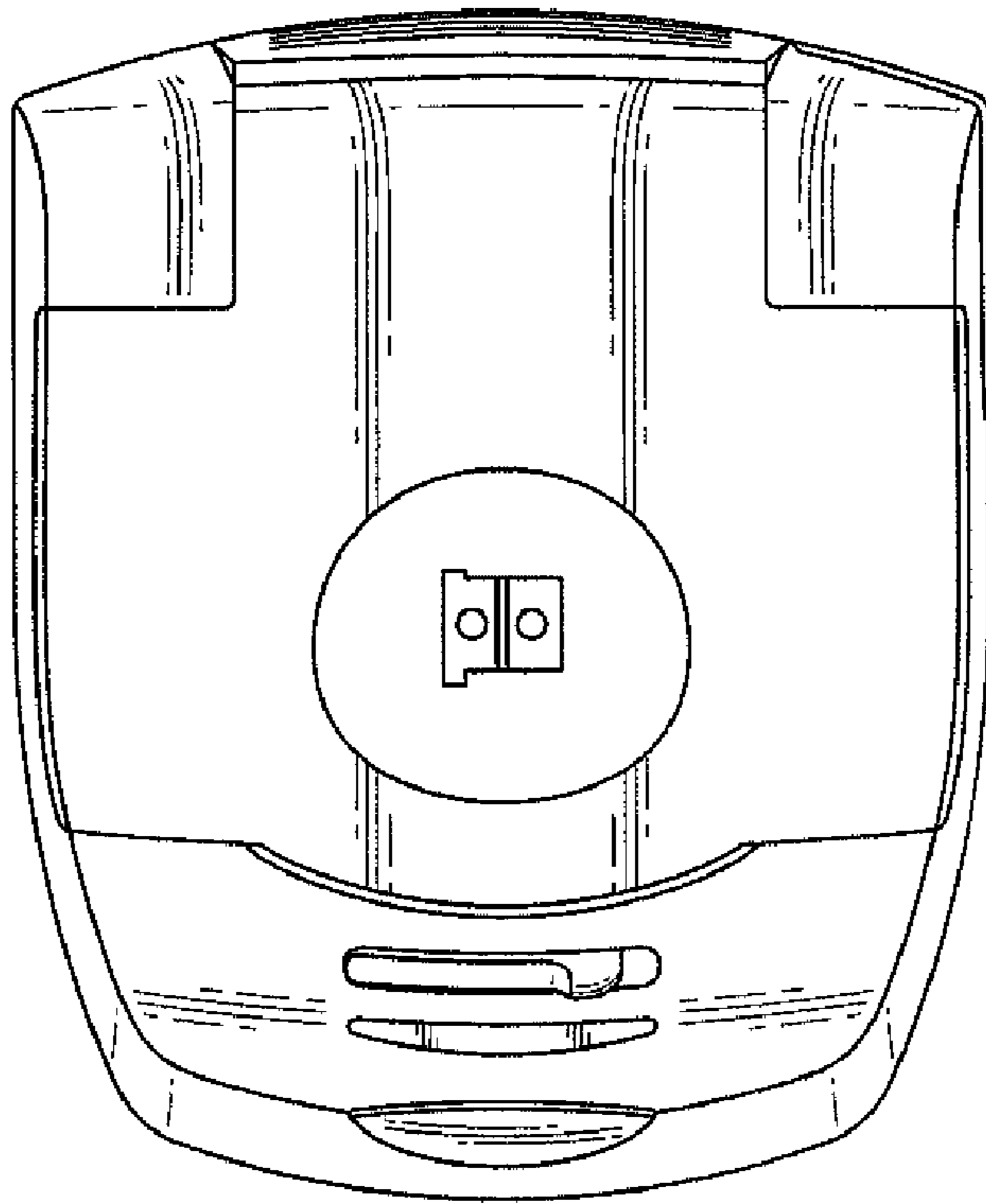


FIG. 6

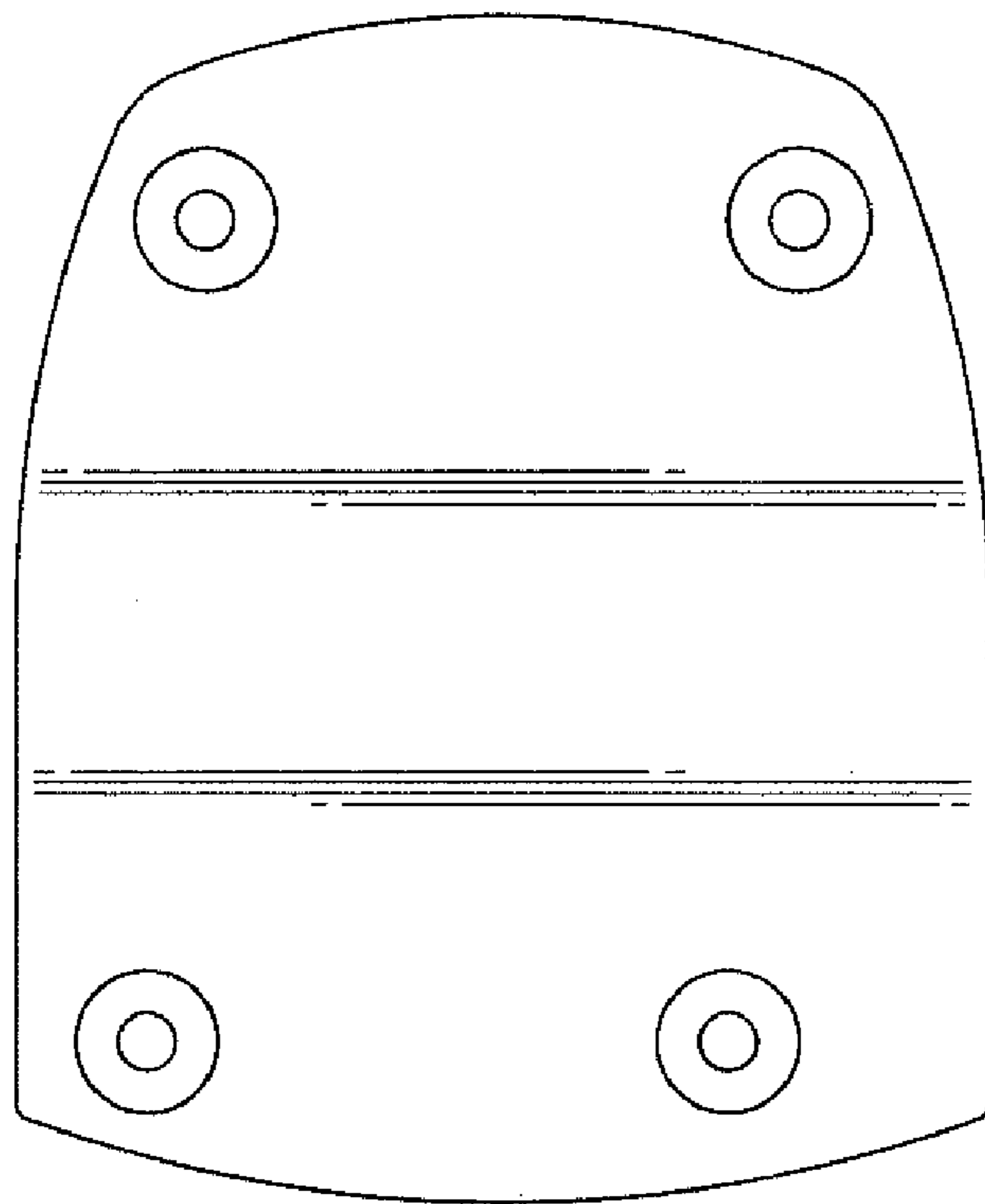
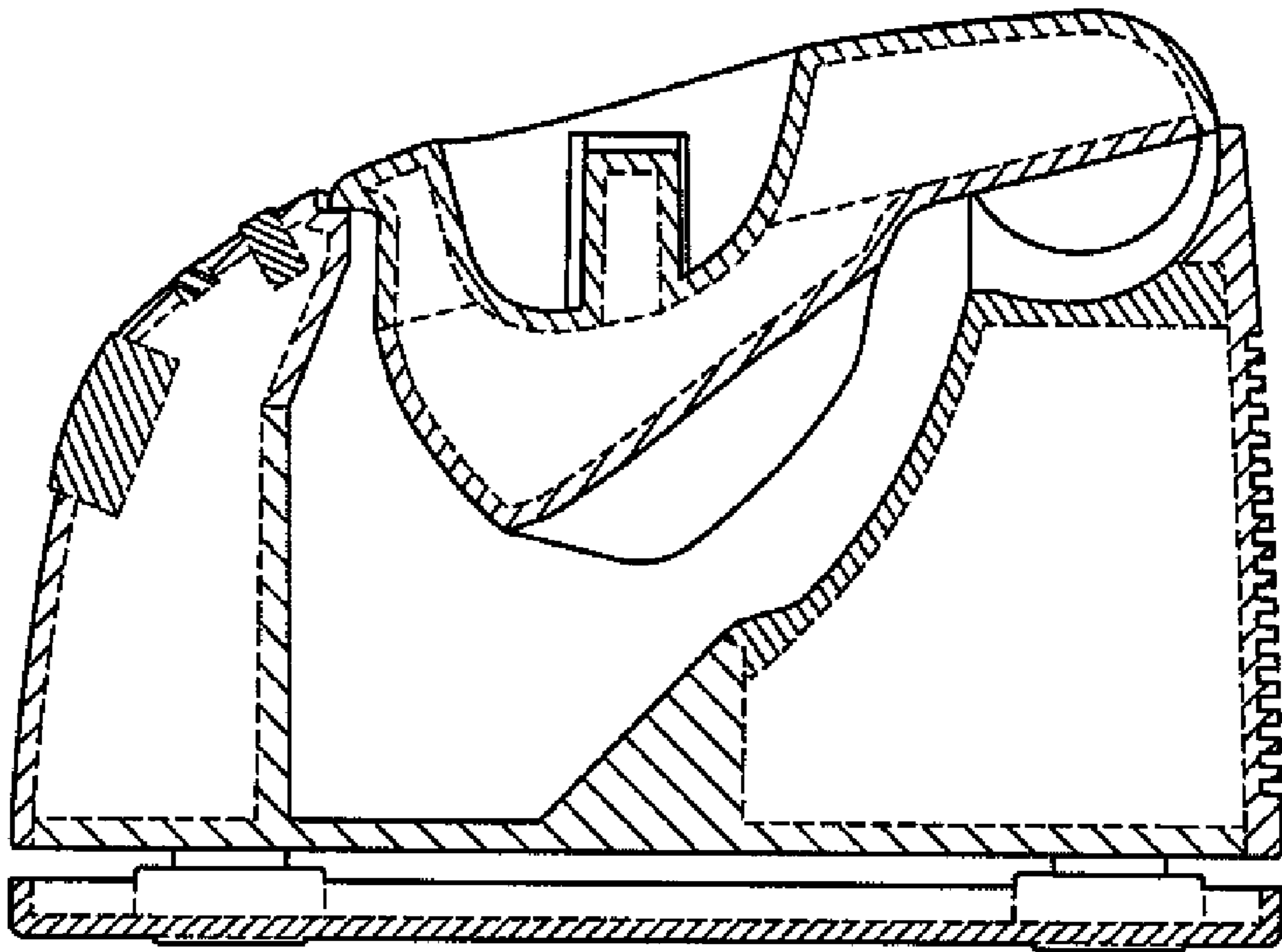


FIG. 7



**FIG. 8**



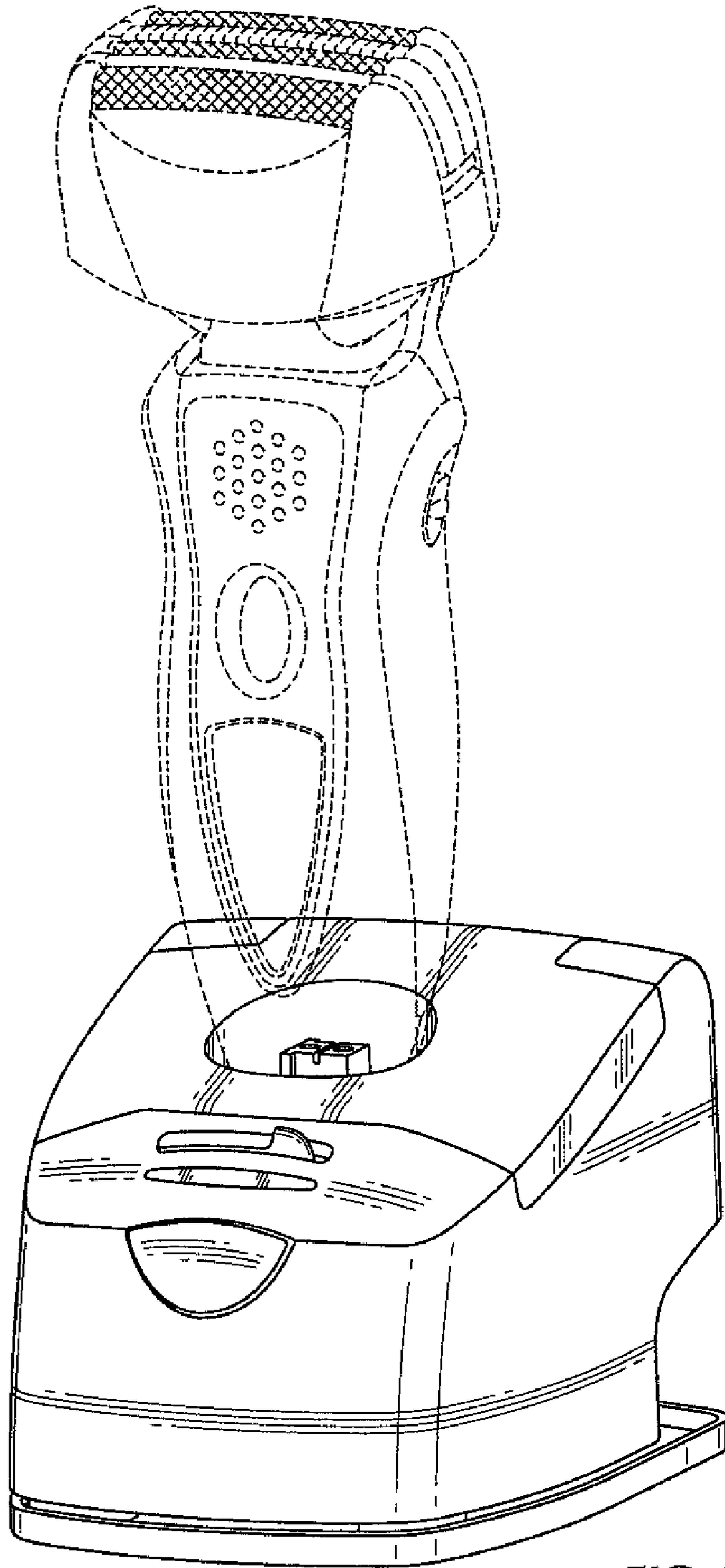
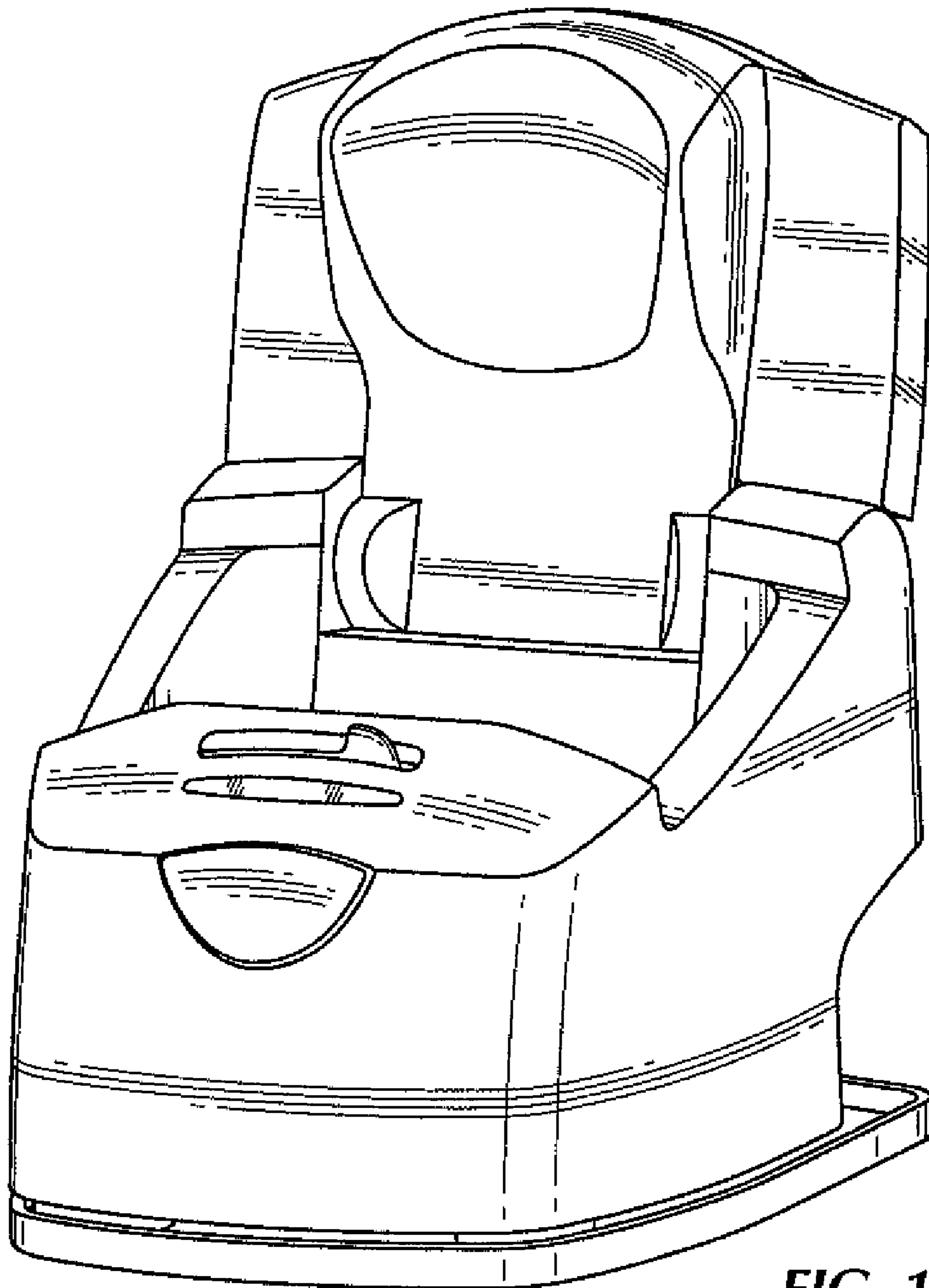
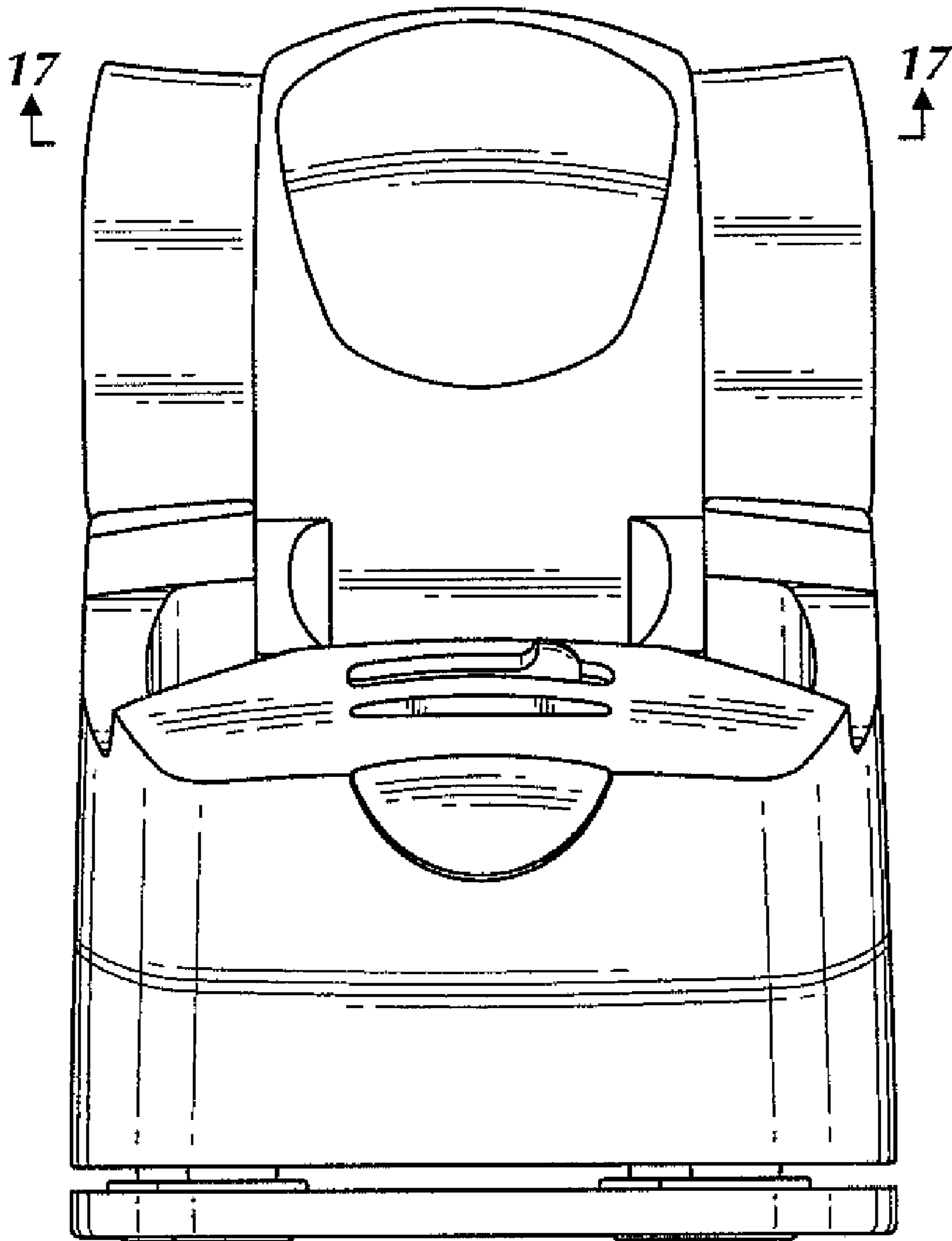


FIG. 9

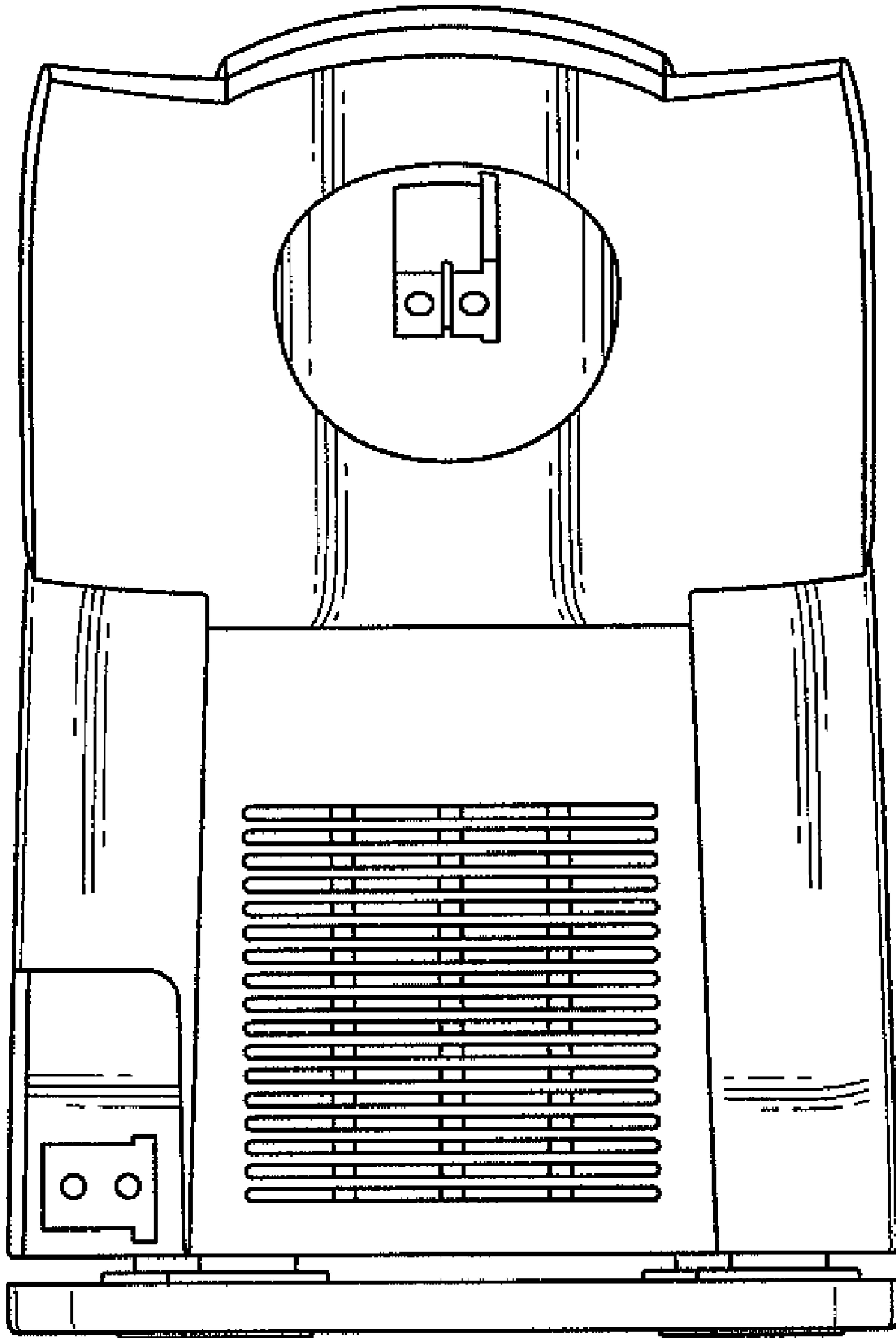


**FIG. 10**

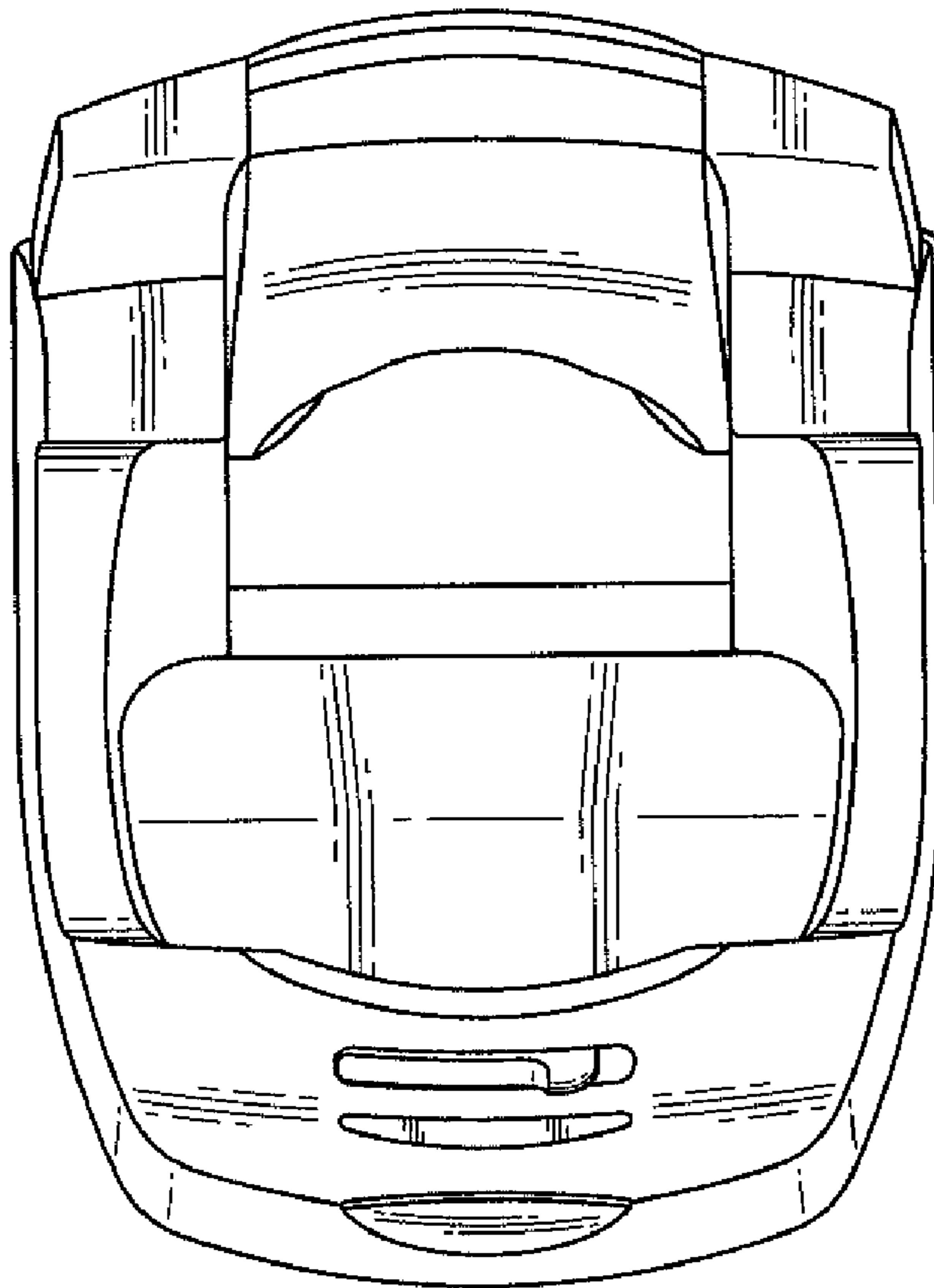




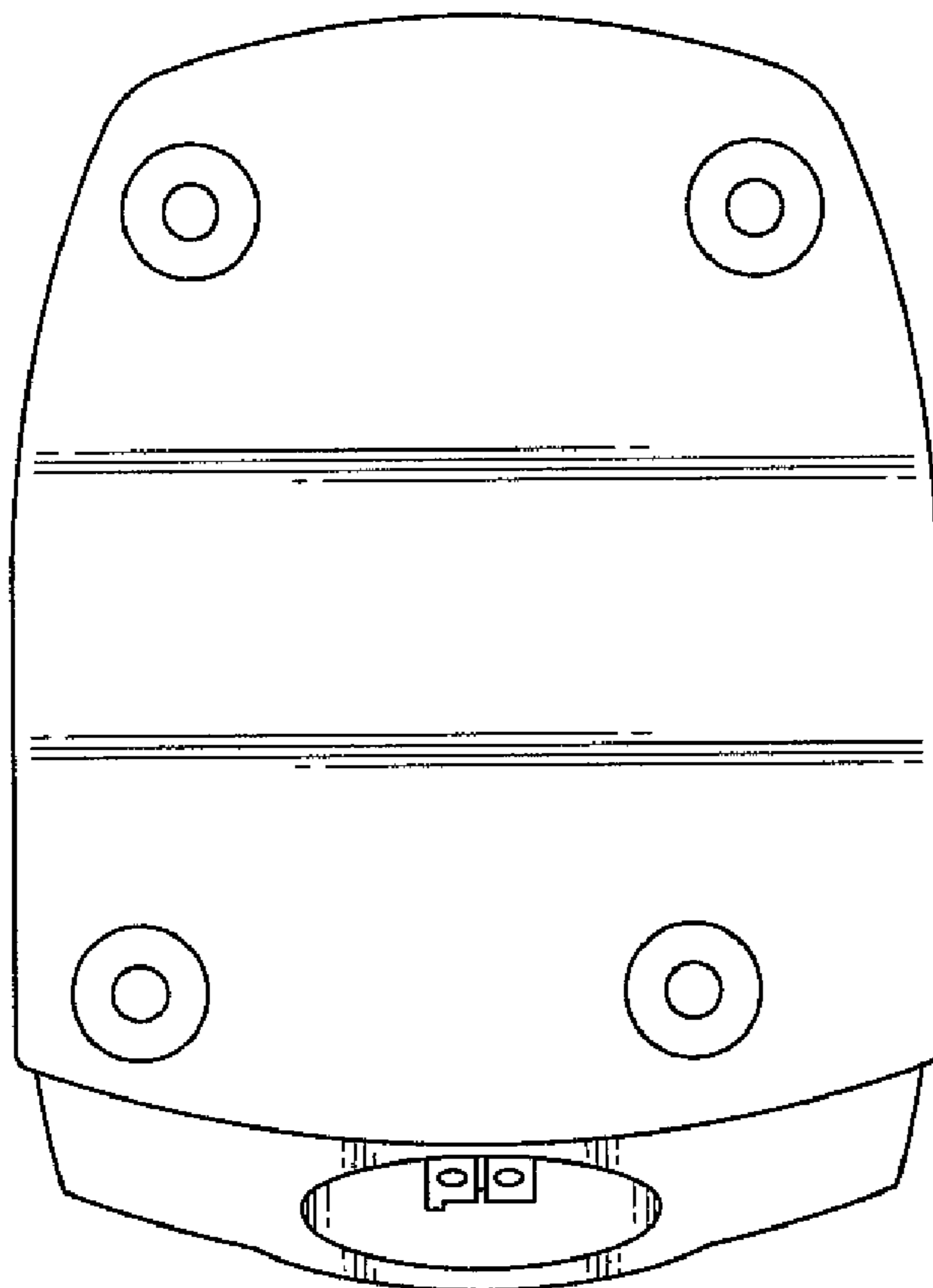
**FIG. 11**



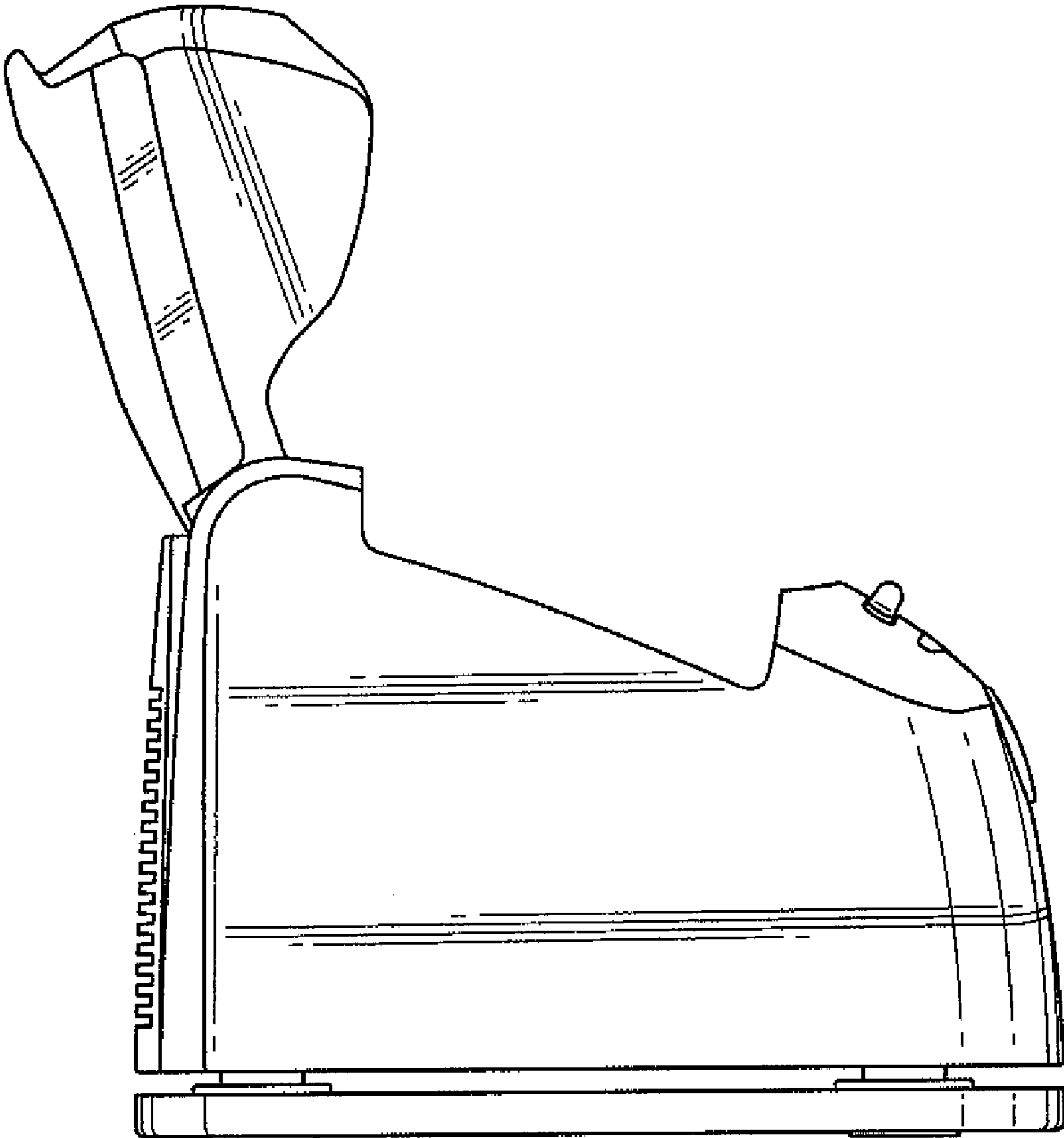
**FIG. 12**



**FIG. 13**



**FIG. 14**



**FIG. 15**

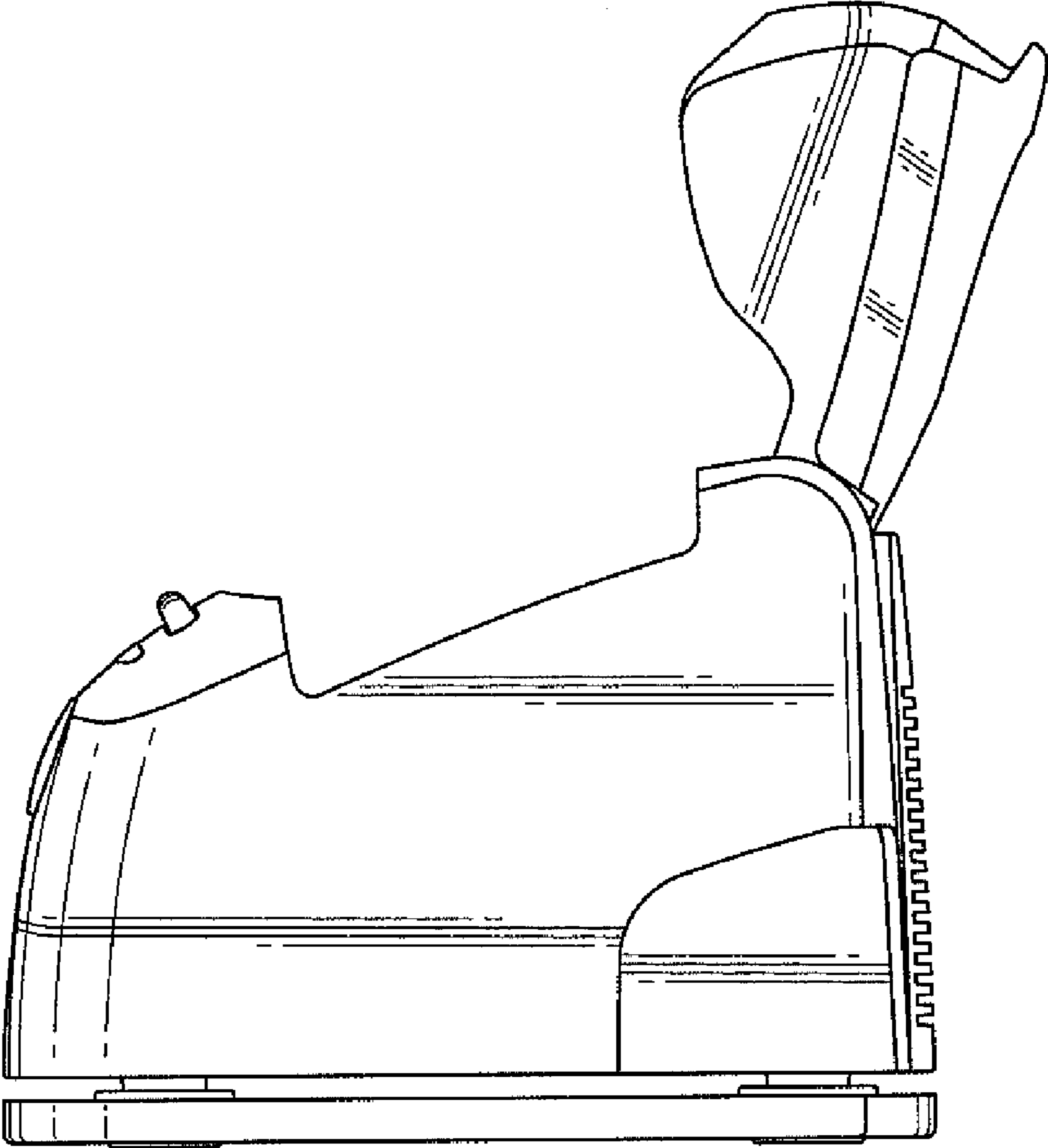


FIG. 16

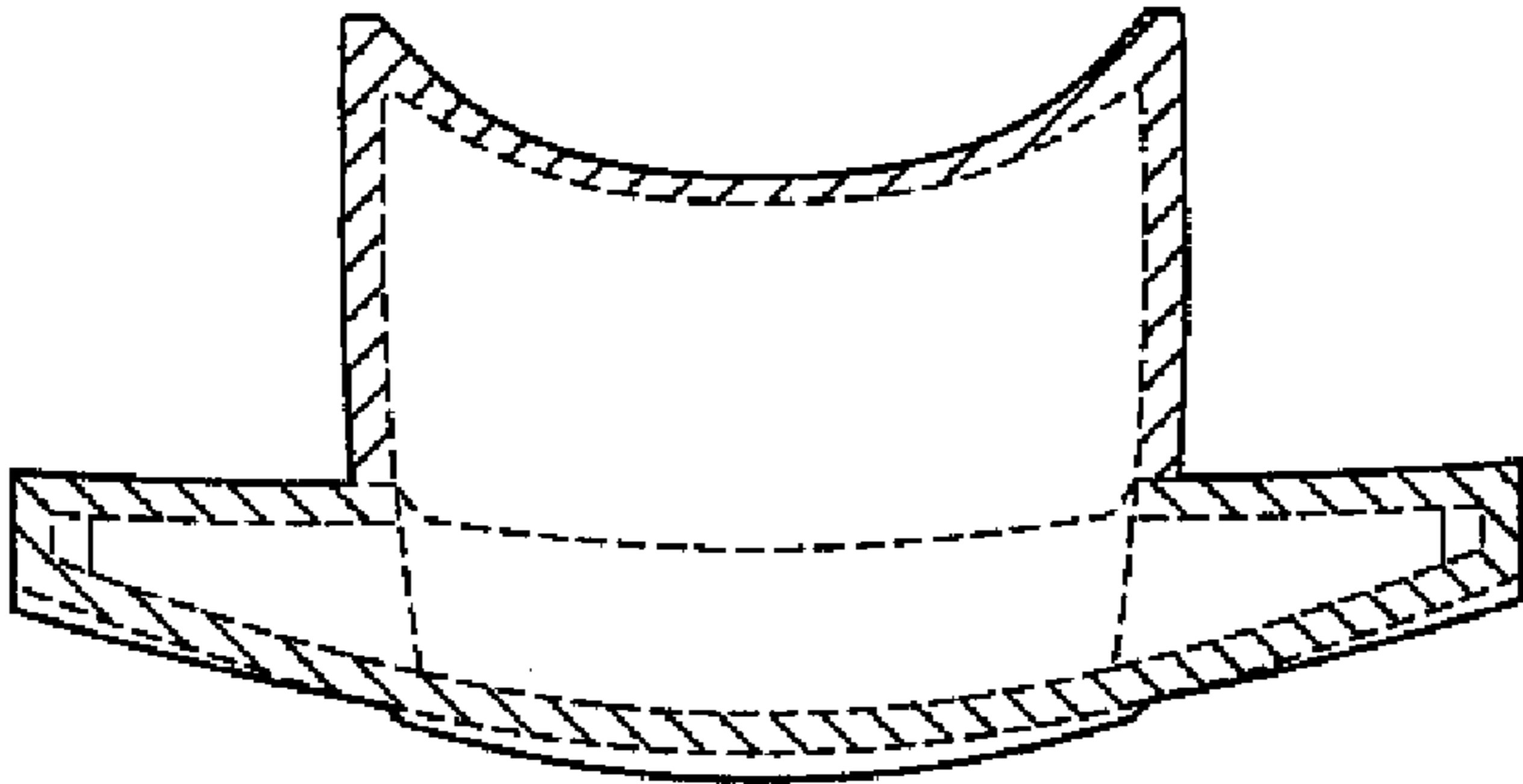


FIG. 17

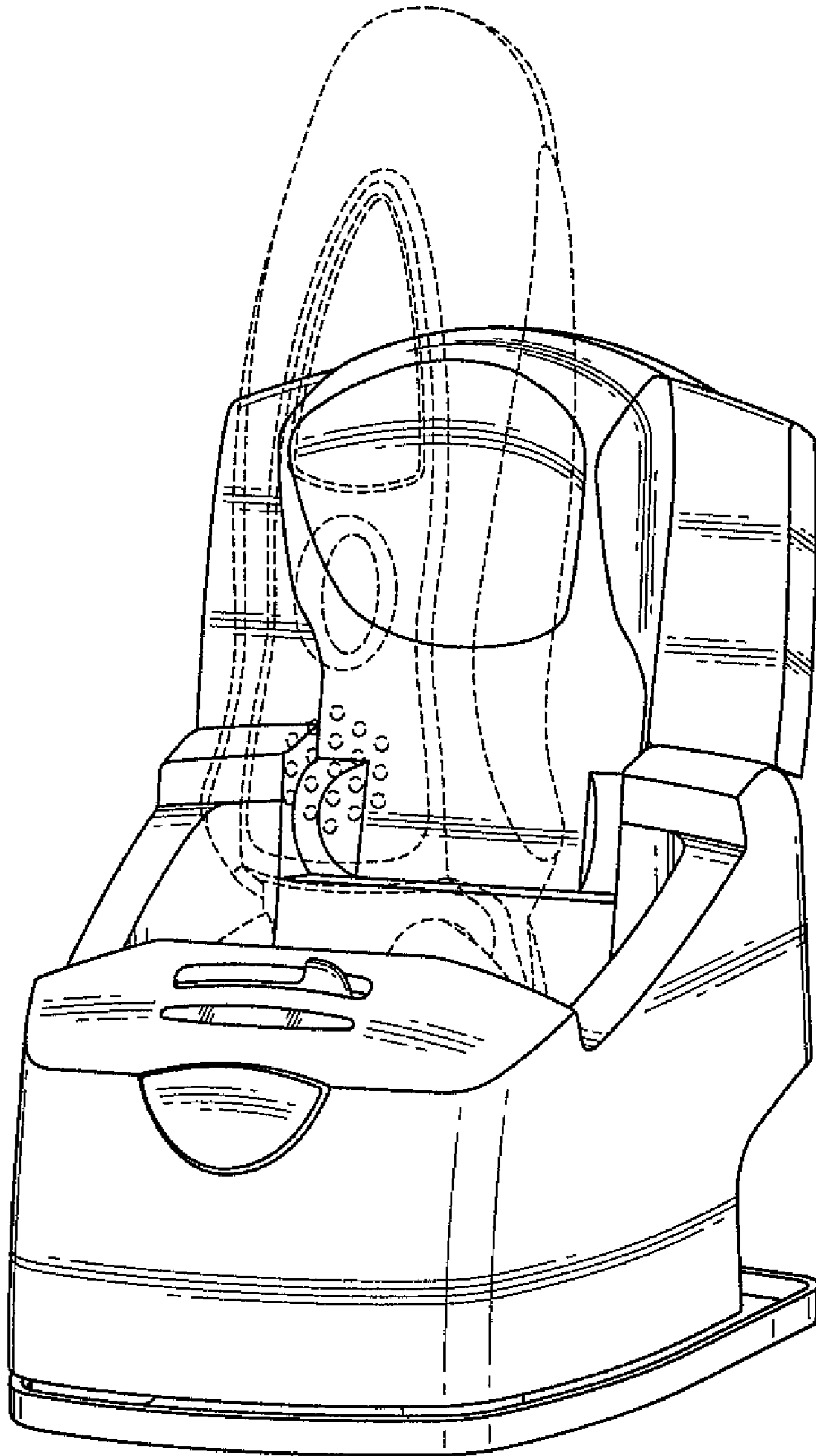


FIG. 18