

US00D577665S

(12) **United States Design Patent**  
**Kim et al.**

(10) **Patent No.:** **US D577,665 S**

(45) **Date of Patent:** **\*\* Sep. 30, 2008**

(54) **HOLDER FOR CHARGING MOBILE PHONE**

(75) Inventors: **Sung Kwon Kim**, Seoul (KR); **Seung Min Park**, Seoul (KR); **Chang Hwan Hwang**, Seoul (KR)

(73) Assignee: **Samsung Electronics Co., Ltd.**, Suwon (KR)

(\*\*) Term: **14 Years**

(21) Appl. No.: **29/292,632**

(22) Filed: **Oct. 19, 2007**

(51) **LOC (8) Cl.** ..... **13-02**

(52) **U.S. Cl.** ..... **D13/107**

(58) **Field of Classification Search** ..... D13/107–110,  
D13/118–119, 184; D14/251, 253, 432,  
D14/434; 320/107–115

See application file for complete search history.

(56) **References Cited**

U.S. PATENT DOCUMENTS

D384,044 S *	9/1997	Tanimura	.....	D14/434
D453,155 S *	1/2002	Michel	.....	D14/253
D508,459 S *	8/2005	Yoshida	.....	D13/108
D512,066 S *	11/2005	Solomon et al.	.....	D14/434
D516,562 S *	3/2006	Solomon et al.	.....	D14/434
D521,928 S *	5/2006	Shimizu	.....	D13/108
D540,327 S *	4/2007	Wong et al.	.....	D14/434

D552,185 S *	10/2007	Hussaini et al.	.....	D21/333
D552,611 S *	10/2007	Hagiwara et al.	.....	D14/434
D557,207 S *	12/2007	Aguilar	.....	D13/108
D557,693 S *	12/2007	Kim et al.	.....	D14/251

\* cited by examiner

*Primary Examiner*—Jennifer Rivard

*Assistant Examiner*—Rosemary K Tarcza

(74) *Attorney, Agent, or Firm*—Ladas and Parry LLP

(57) **CLAIM**

The ornamental design for a holder for charging mobile phone, as shown and described.

**DESCRIPTION**

FIG. 1 is a front/left-side/top perspective view of a holder for charging mobile phone showing our new design;

FIG. 2 is a front-side elevational view thereof;

FIG. 3 is a rear-side elevational view thereof;

FIG. 4 is a left-side elevational view thereof;

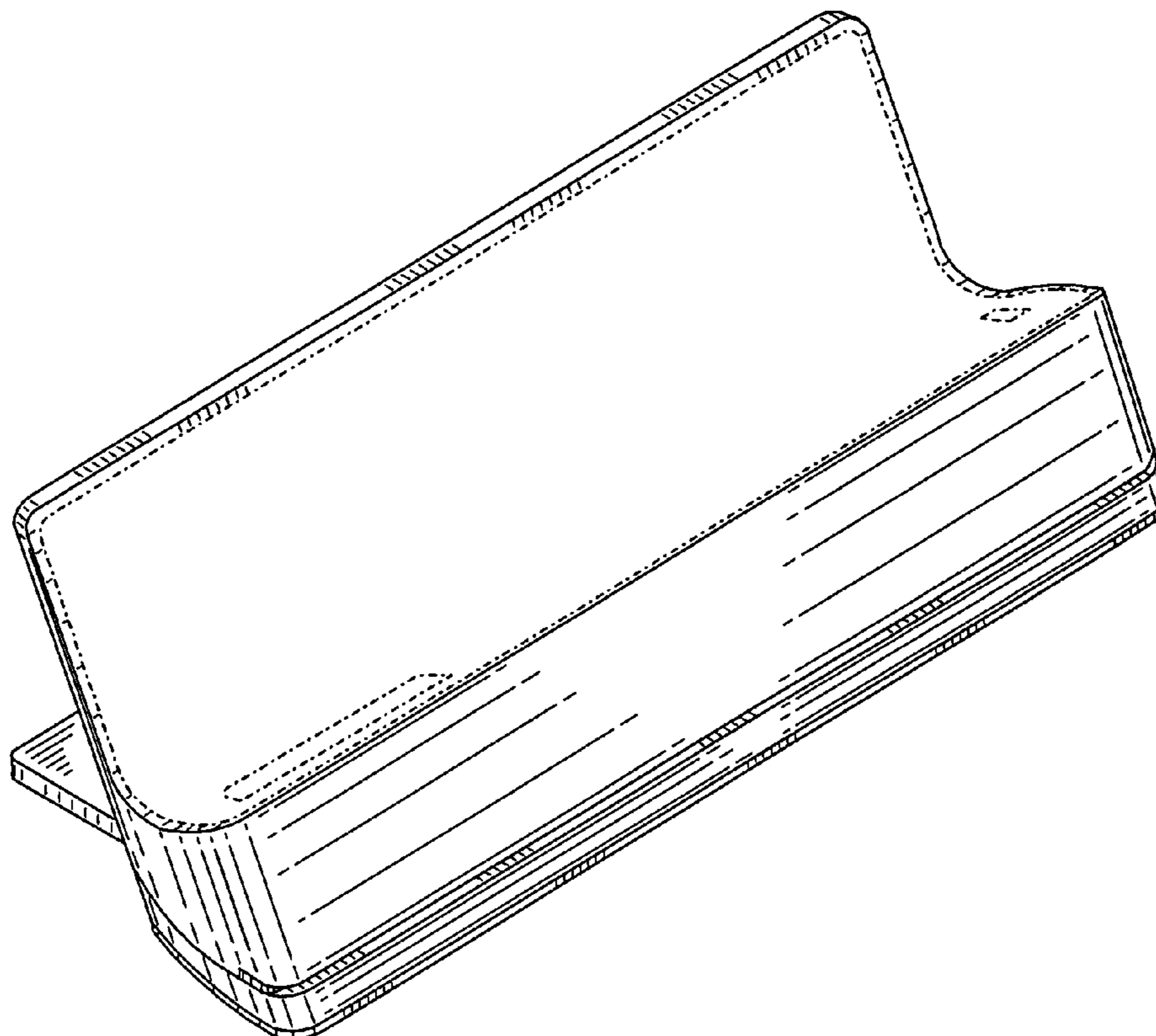
FIG. 5 is a right-side elevational view thereof;

FIG. 6 is a top-side elevational view thereof; and,

FIG. 7 is a bottom-side elevational view thereof.

The broken line showing is included for the purpose of illustrating boundaries of the claimed design and environmental structure, and forms no part of the claimed design.

**1 Claim, 4 Drawing Sheets**



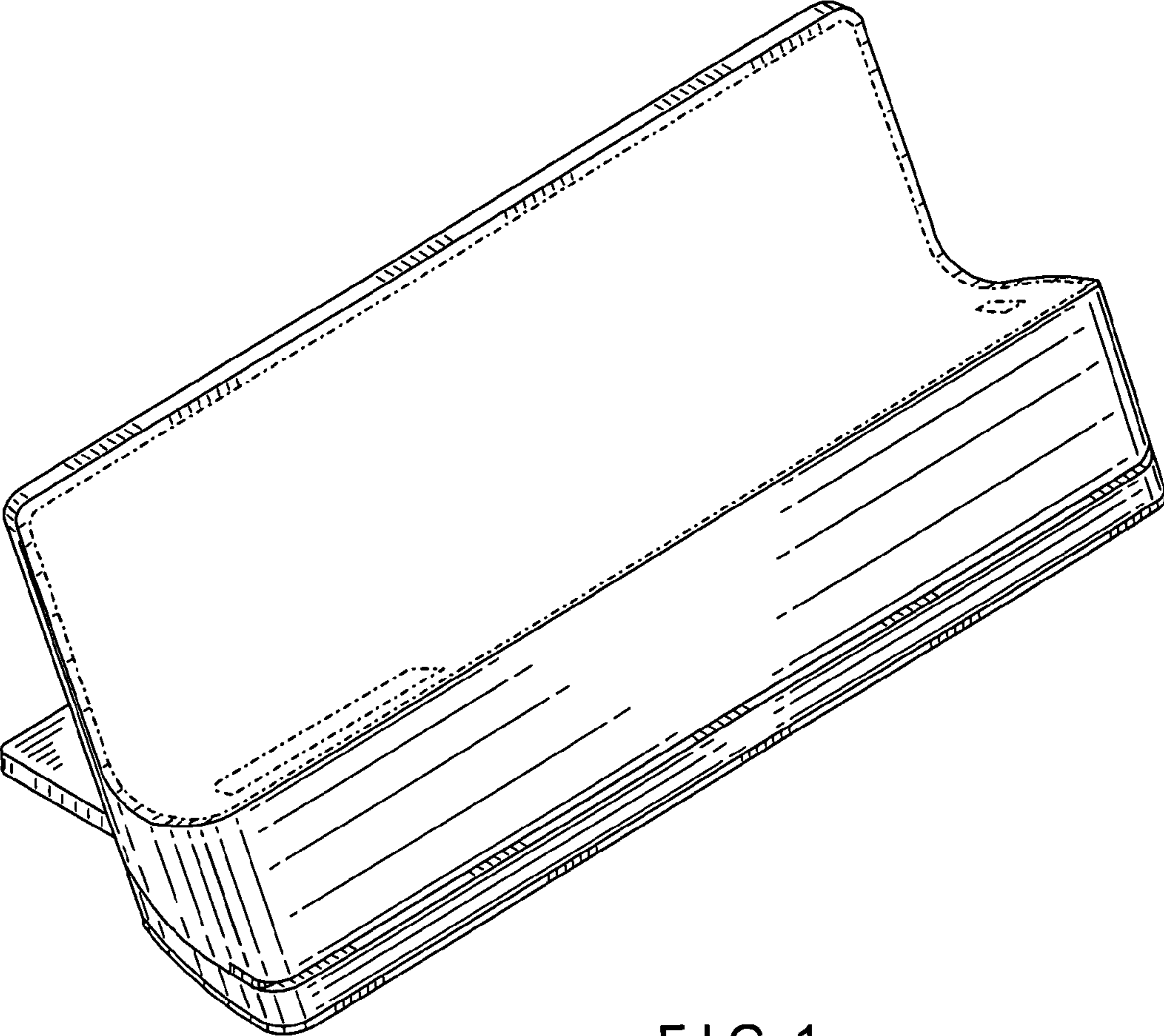


FIG. 1

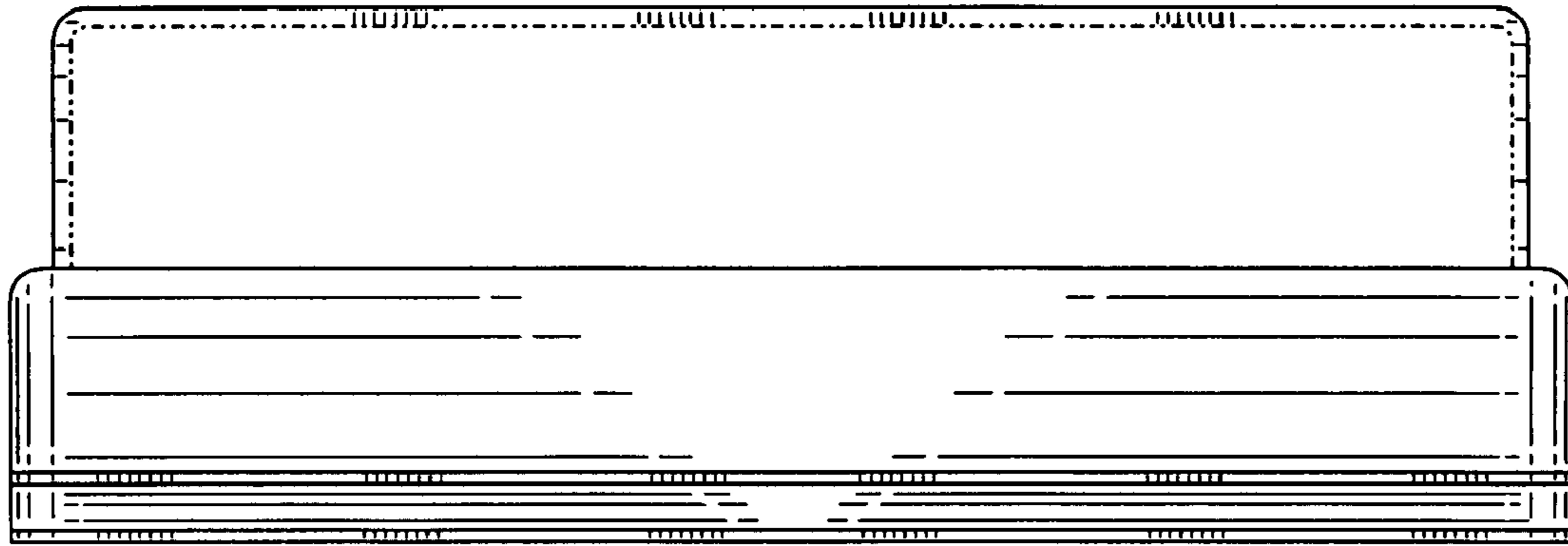


FIG. 2

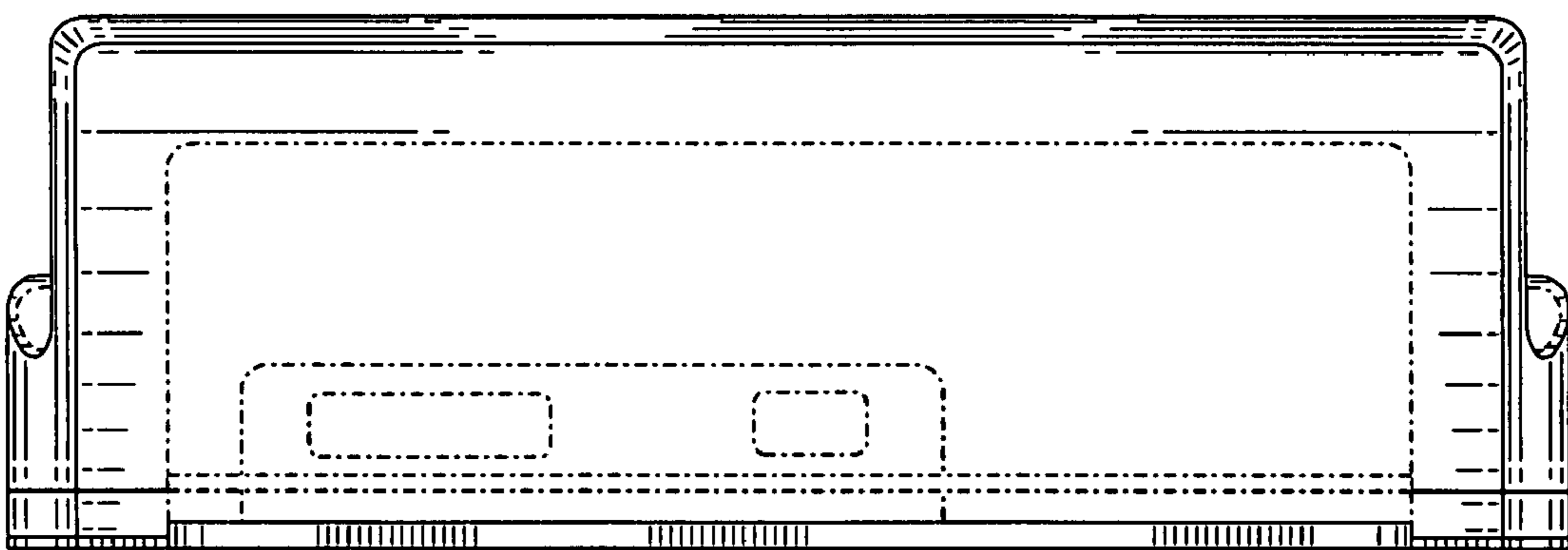


FIG. 3

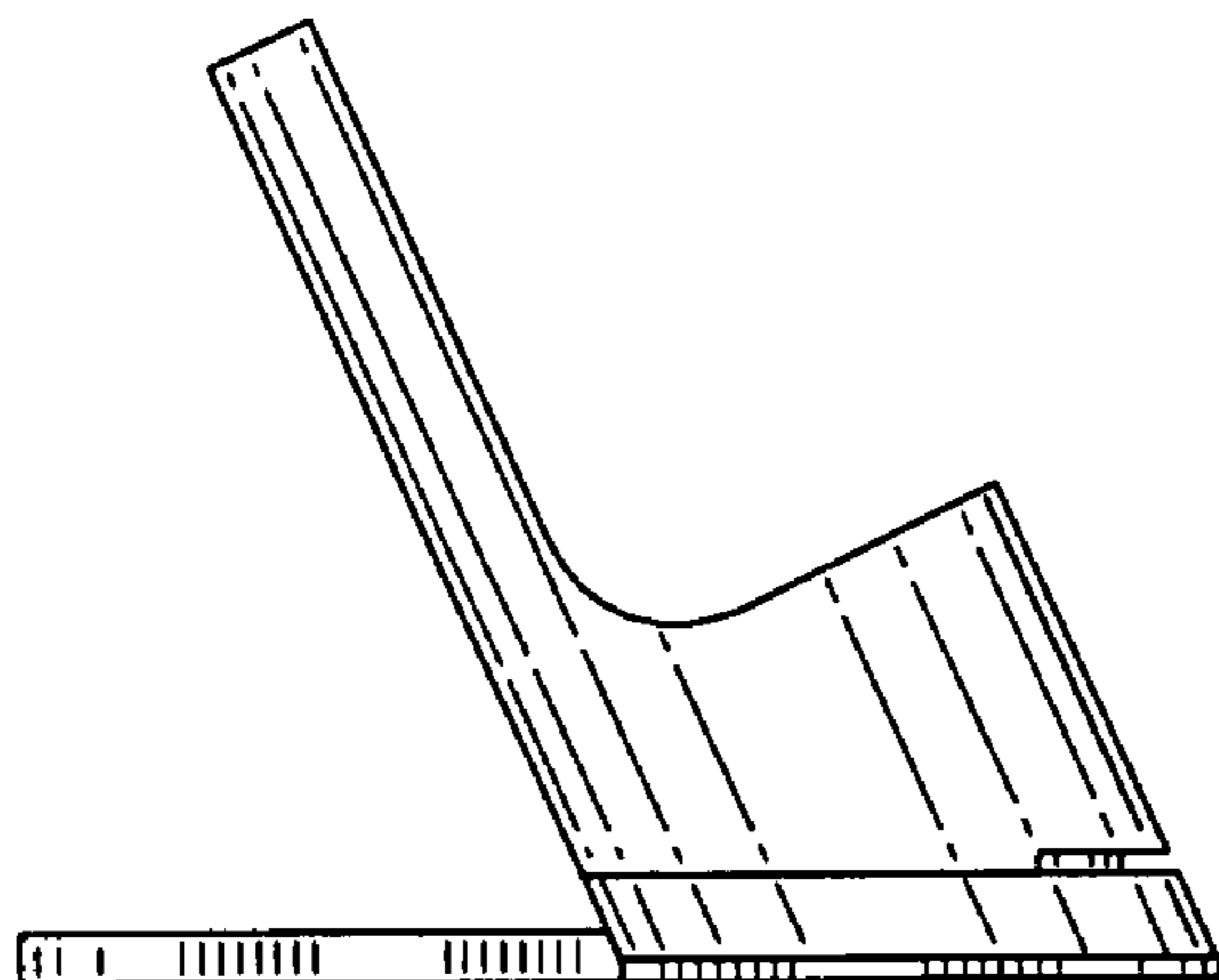


FIG. 4

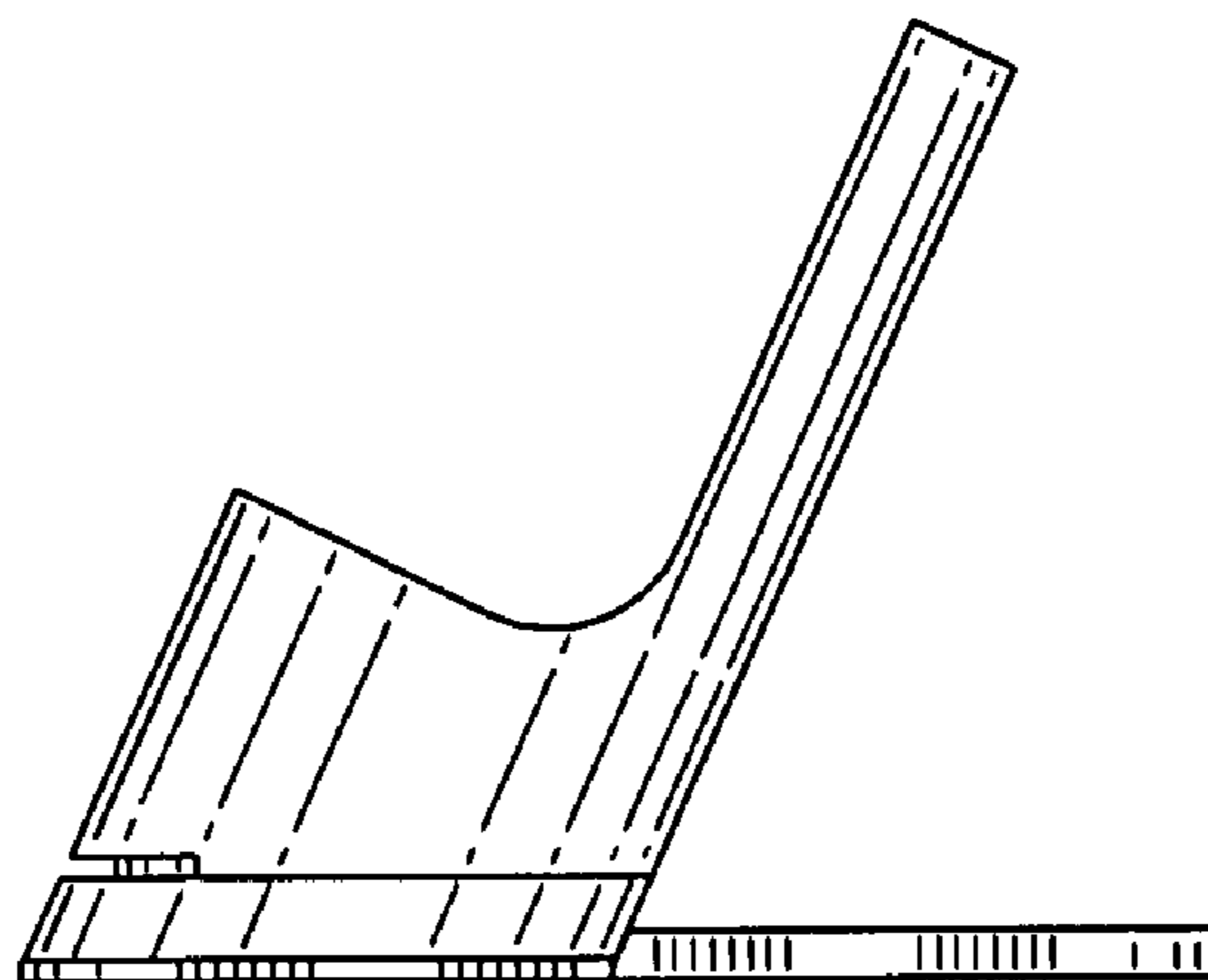


FIG. 5

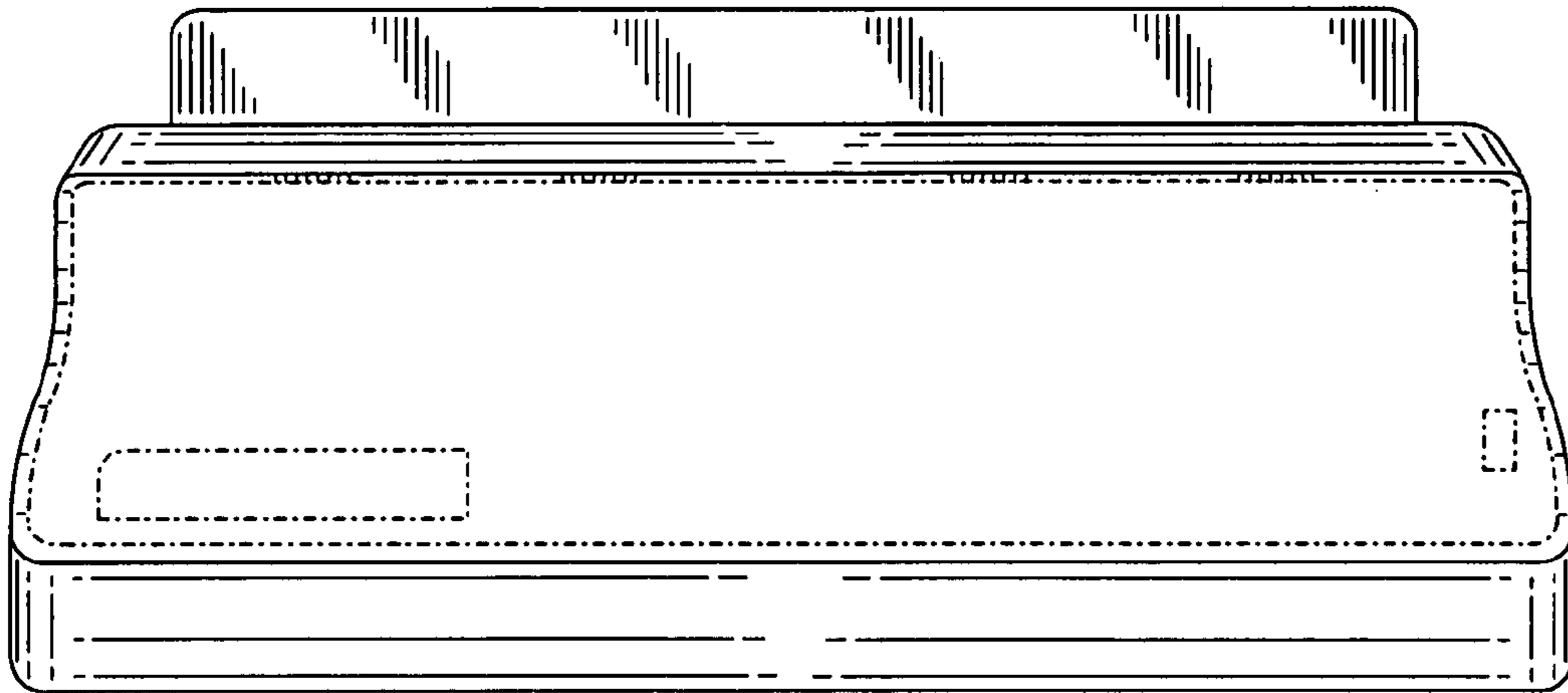


FIG. 6

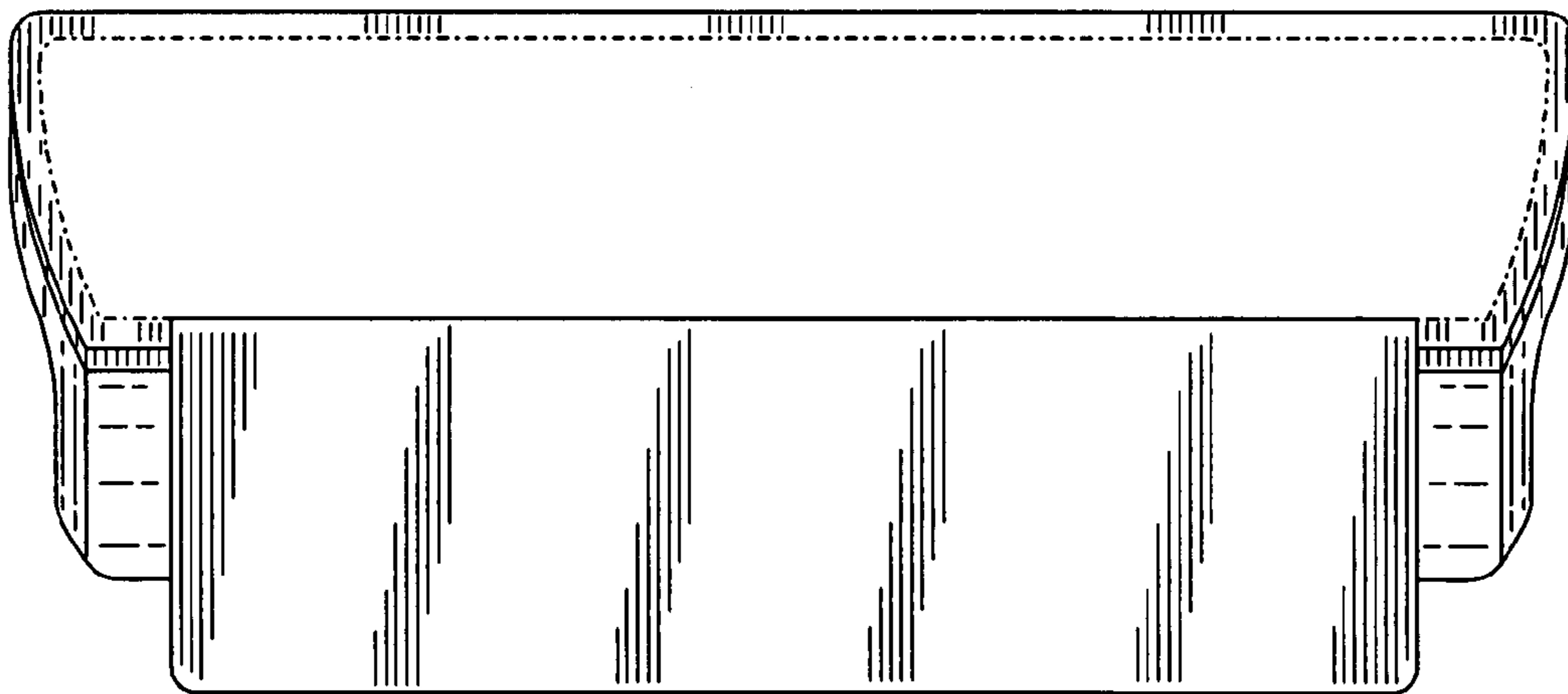


FIG. 7