



US00D577652S

(12) **United States Design Patent**
Biosca-Munt et al.

(10) **Patent No.:** **US D577,652 S**
(45) **Date of Patent:** **** Sep. 30, 2008**

(54) **WIPER BLADE ADAPTER FOR WINDSHIELD WIPERS**

D444,760 S * 7/2001 Houssat et al. D12/220
D473,507 S * 4/2003 Huang D12/220
D478,308 S * 8/2003 Lee D12/220
D480,679 S * 10/2003 Lee D12/220

(75) Inventors: **Josep Biosca-Munt**, Barcelona (ES);
Carlos Chicon-Montoya, Barcelona (ES)

* cited by examiner

(73) Assignee: **DOGA, S.A.**, Barcelona (ES)

Primary Examiner—Stacia Cadmus
(74) *Attorney, Agent, or Firm*—Gifford, Krass, Sprinkle, Anderson, Citkowski, P.C.

(**) Term: **14 Years**

(21) Appl. No.: **29/298,844**

(57) **CLAIM**

(22) Filed: **Dec. 13, 2007**

We claim the ornamental design for wiper blade adapters for windshield wipers, as shown and described.

(30) **Foreign Application Priority Data**

DESCRIPTION

Jun. 18, 2007 (EM) 000746284-0001

FIG. 1 is a side perspective view of a wiper blade adapter for a windshield wiper of the present invention;
FIG. 2 is a side perspective view thereof;
FIG. 3 is a bottom view thereof;
FIG. 4 is a side view thereof;
FIG. 5 is a top view thereof;
FIG. 6 is an end view thereof; and,
FIG. 7 is a side cross-sectional view of section 7—7 shown in FIG. 5.

(51) **LOC (8) Cl.** **12-06**

(52) **U.S. Cl.** **D12/220**

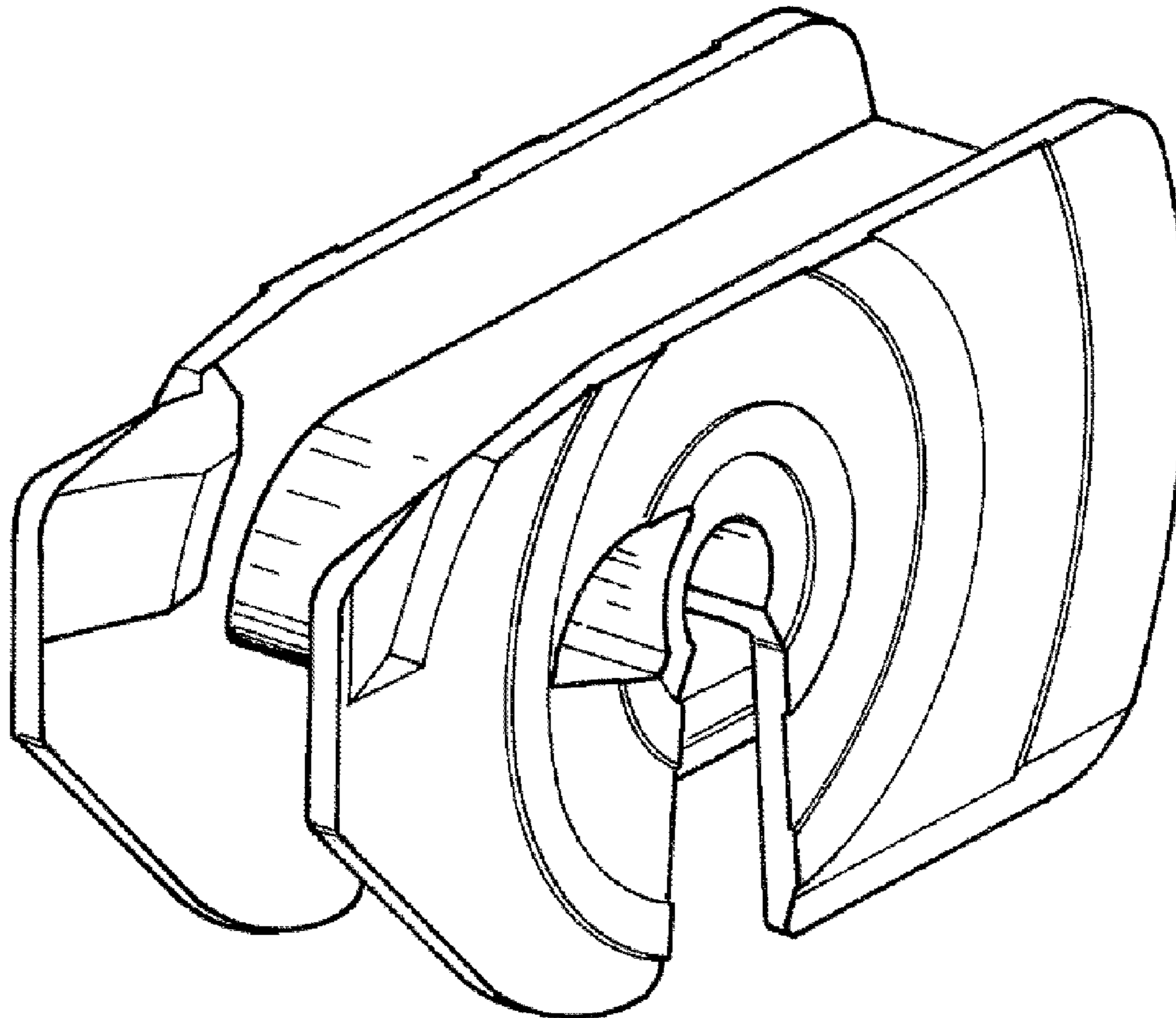
(58) **Field of Classification Search** D12/219–220;
15/250.451–250.454, 250.361, 250.01–250.07,
15/250.31–250.33, 250.38, 250.351, 250.4–250.42
See application file for complete search history.

(56) **References Cited**

U.S. PATENT DOCUMENTS

D404,354 S * 1/1999 Witek et al. D21/220
D418,474 S * 1/2000 Witek et al. D12/220

1 Claim, 5 Drawing Sheets



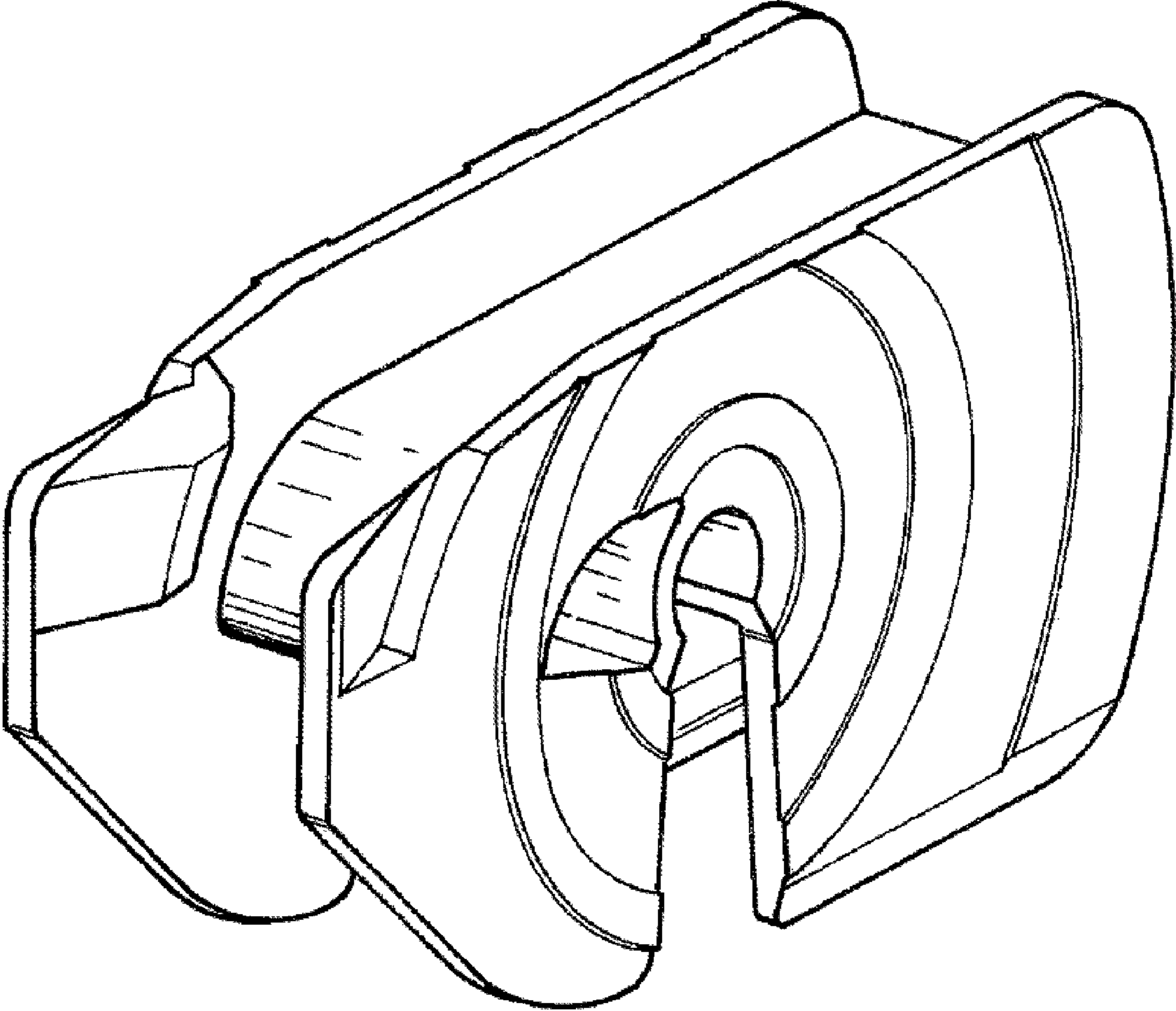


Fig. 1

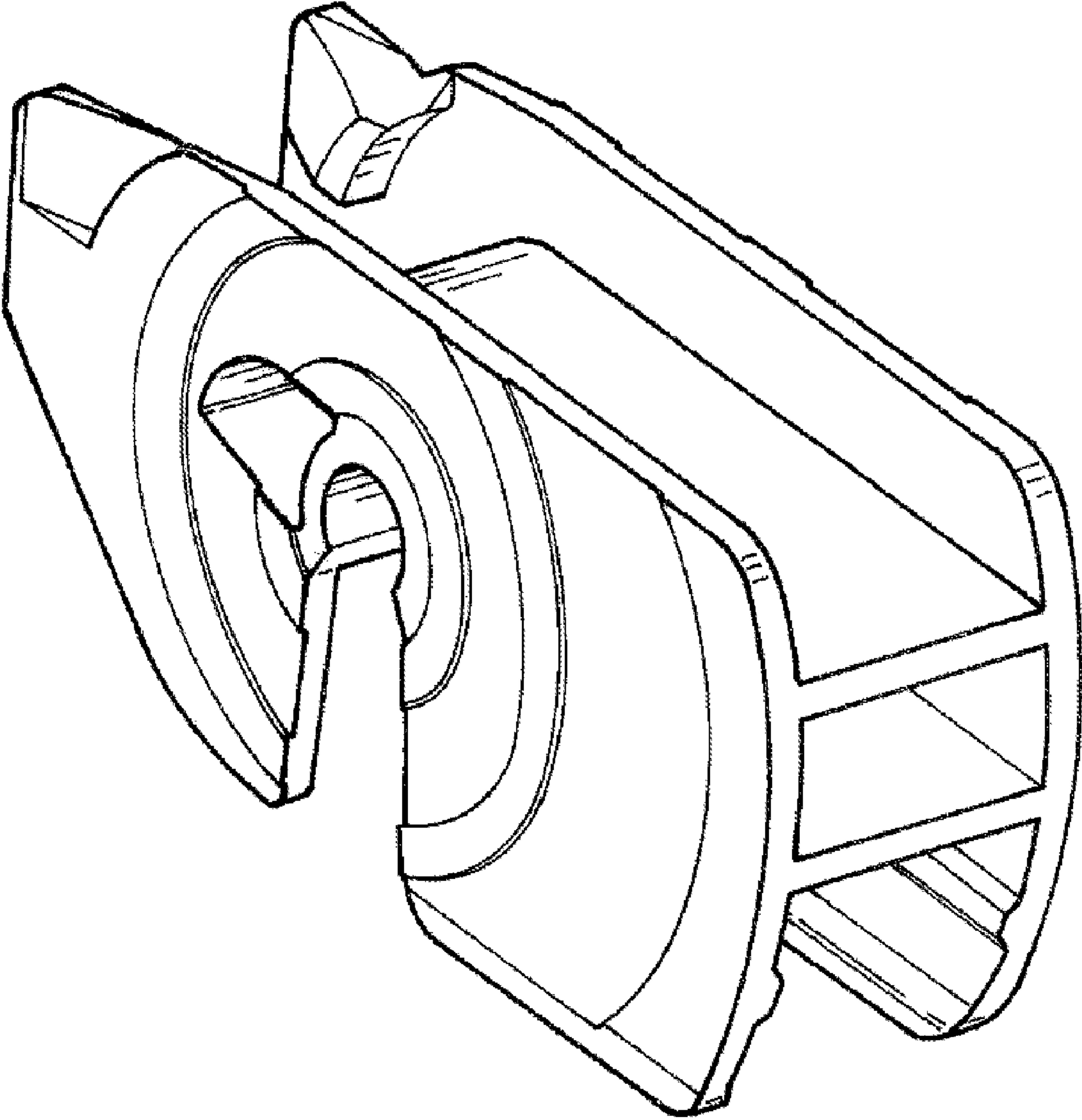


Fig. 2

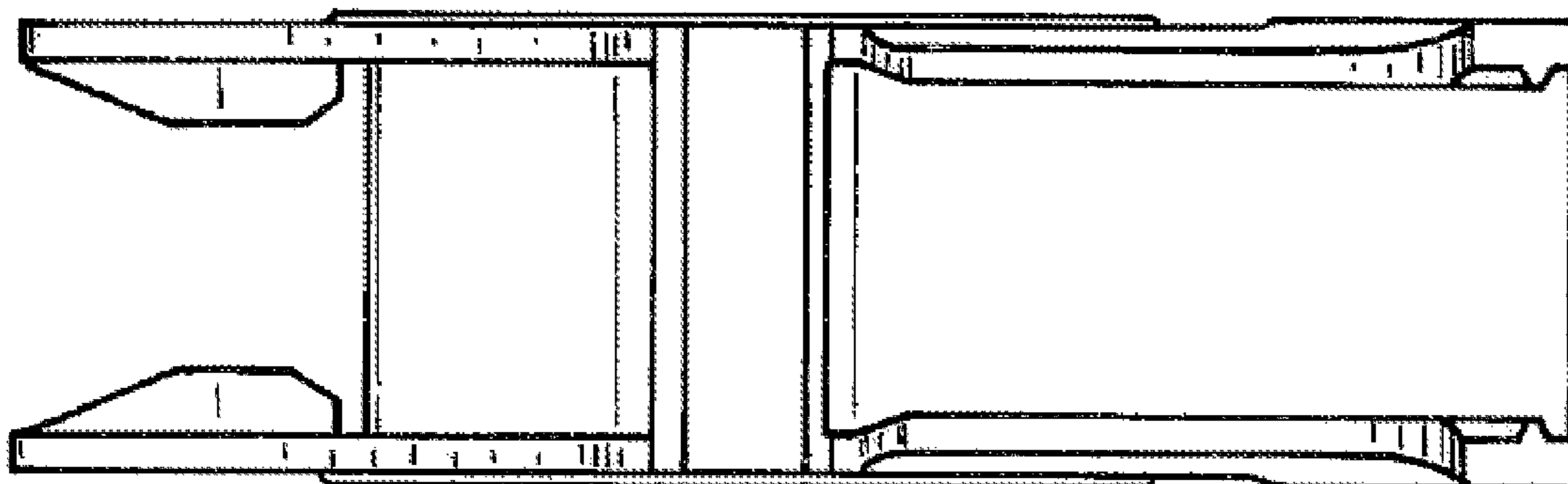


Fig. 3

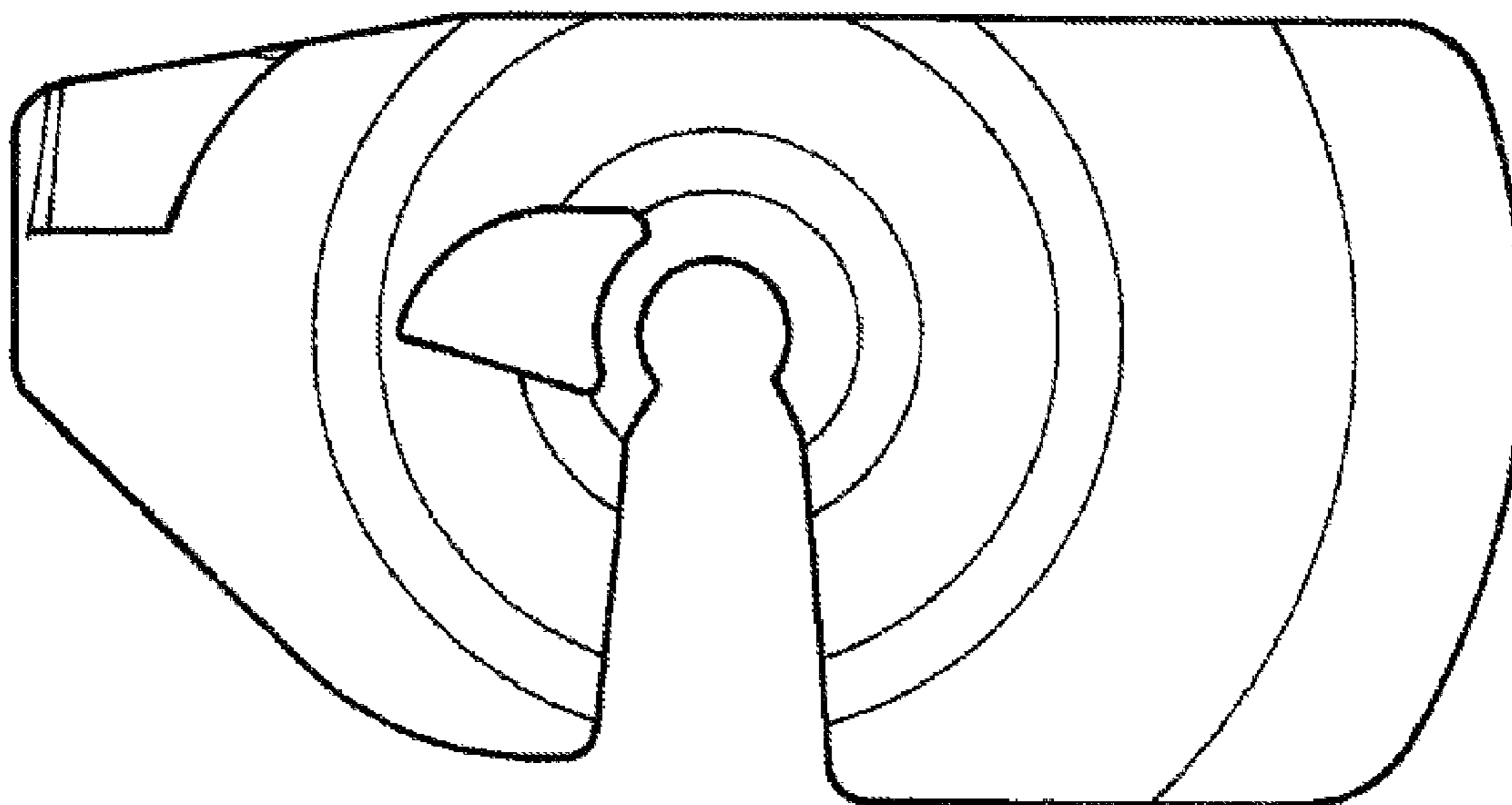


Fig. 4



Fig. 5

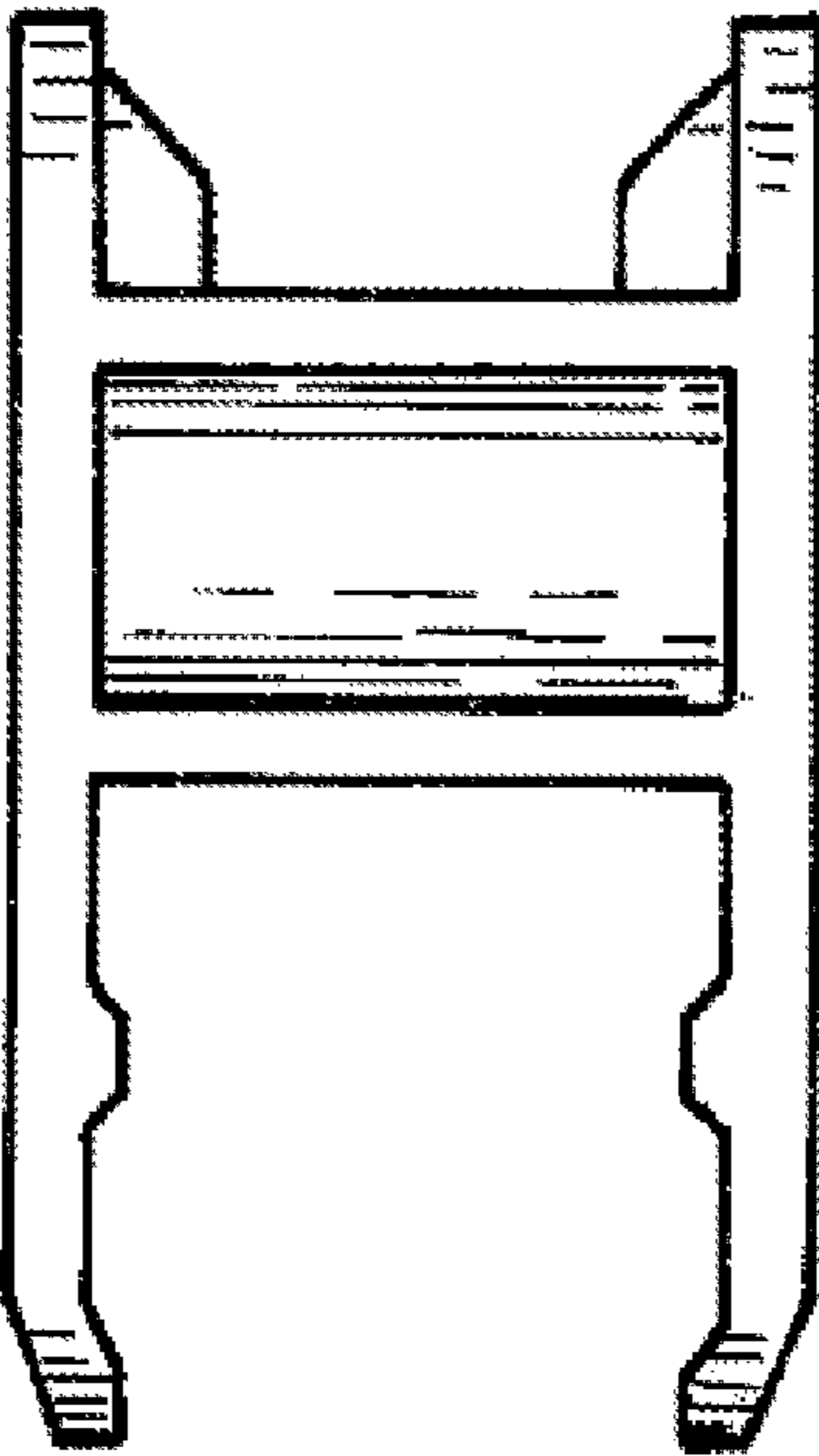


Fig. 6

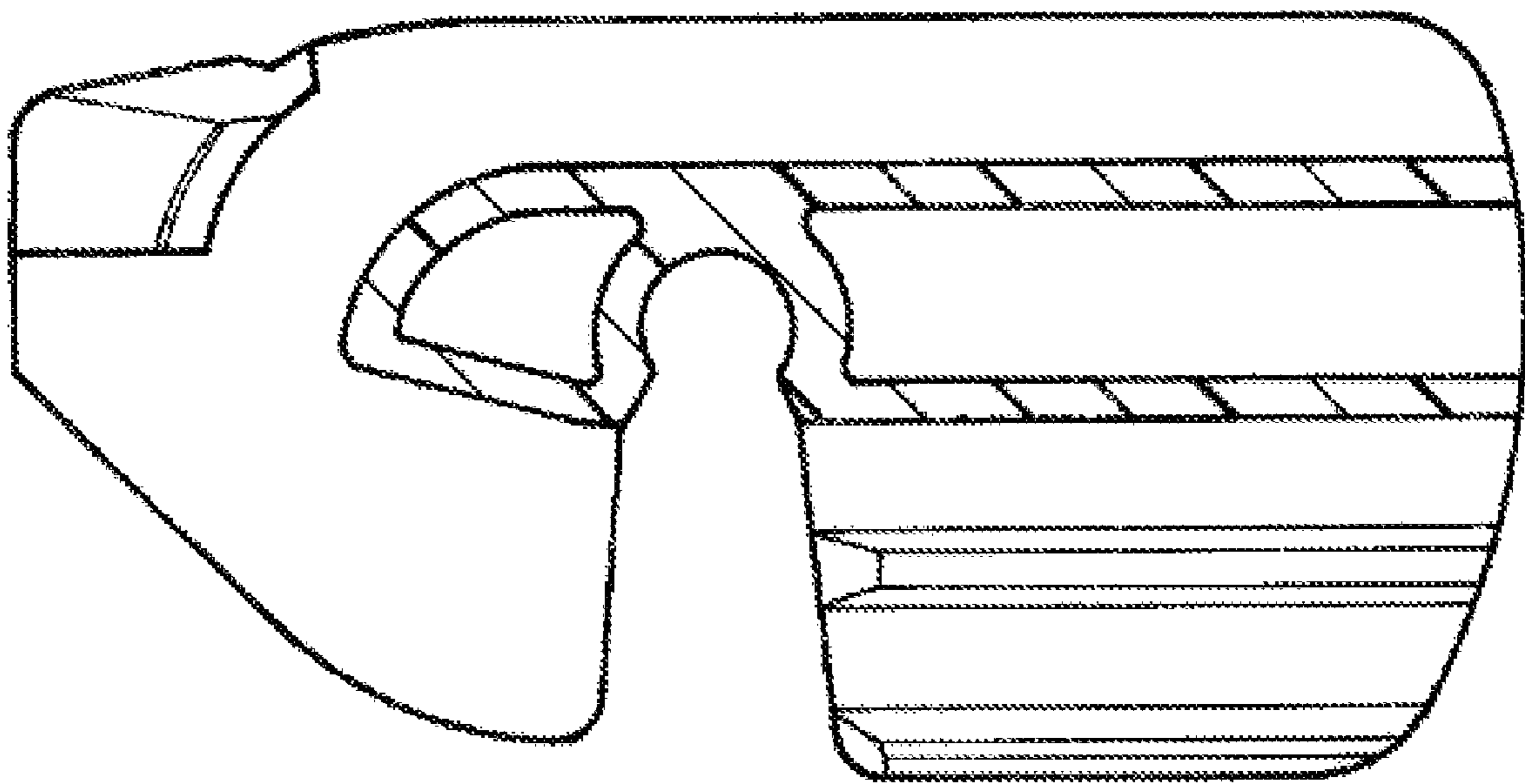


Fig. 7