



US00D577651S

(12) **United States Design Patent**
Shaw

(10) **Patent No.:** **US D577,651 S**

(45) **Date of Patent:** **** Sep. 30, 2008**

(54) **SMALL WHEEL CHOCK**

(76) Inventor: **Anne Shaw**, Box 68, San Gabriel, CA
(US) 91778-0068

(**) Term: **14 Years**

(21) Appl. No.: **29/306,430**

(22) Filed: **Apr. 9, 2008**

(51) **LOC (8) Cl.** **12-06**

(52) **U.S. Cl.** **D12/217**

(58) **Field of Classification Search** D12/217,
D12/203, 400, 120; D34/27, 32, 38; D8/402;
280/293; 267/139-140; 410/30, 49; 211/20;
188/5, 32, 36; 186/32, 52; 248/346, 352;
254/88

See application file for complete search history.

(56) **References Cited**

U.S. PATENT DOCUMENTS

D236,612 S *	9/1975	Wetzel	D12/217
D307,575 S *	5/1990	Gano	D12/217
D493,408 S *	7/2004	Chrisco et al.	D12/217
D511,734 S *	11/2005	Moore et al.	D12/217
D520,438 S *	5/2006	Colak et al.	D12/217

D524,222 S *	7/2006	Chrisco et al.	D12/217
D531,568 S *	11/2006	Davidian	D12/217
D546,749 S *	7/2007	Bateman	D12/217

* cited by examiner

Primary Examiner—Stacia Cadmus

(74) *Attorney, Agent, or Firm*—Michael W. Caldwell

(57) **CLAIM**

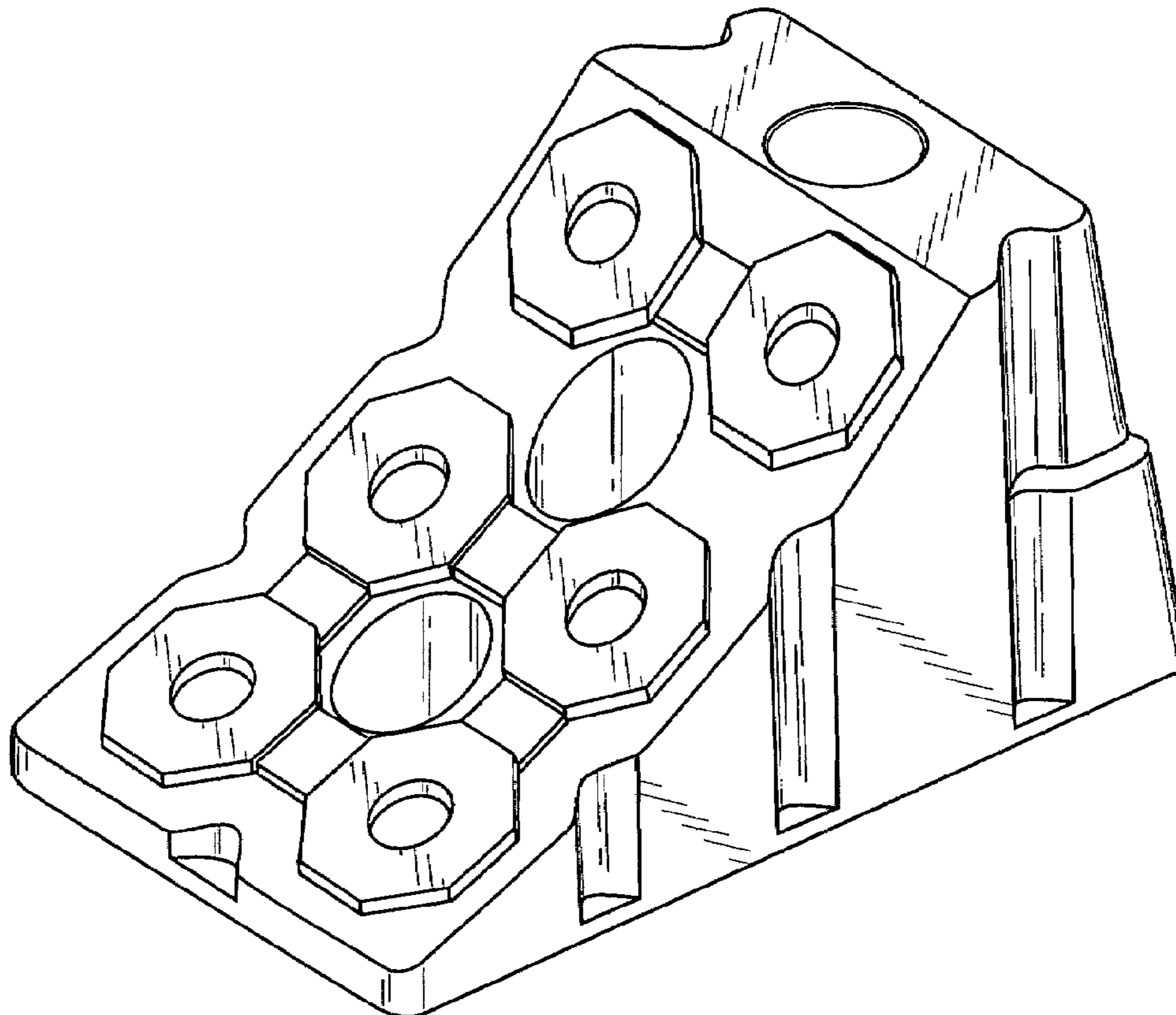
The ornamental design for a small wheel chock, as shown and described.

DESCRIPTION

FIG. 1 is a frontal perspective view of my new design;
FIG. 2 is a top plan view thereof;
FIG. 3 is a bottom plan view thereof;
FIG. 4 is a rear view thereof;
FIG. 5 is a frontal view thereof;
FIG. 6 is a left side view thereof; and,
FIG. 7 is a right side view thereof.

The ornamental design which is claimed is shown in solid lines in the drawings.

1 Claim, 5 Drawing Sheets



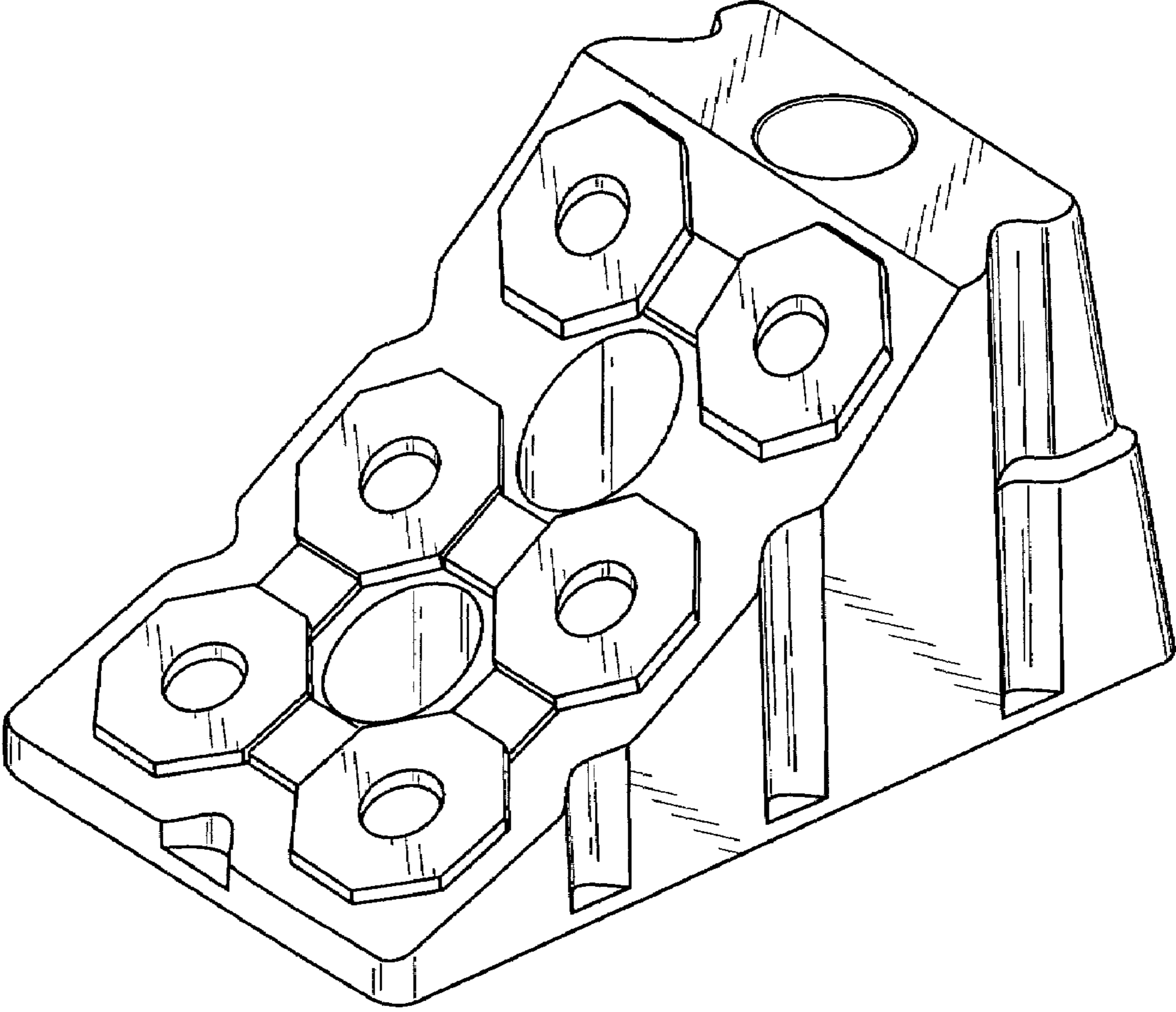


Fig. 1

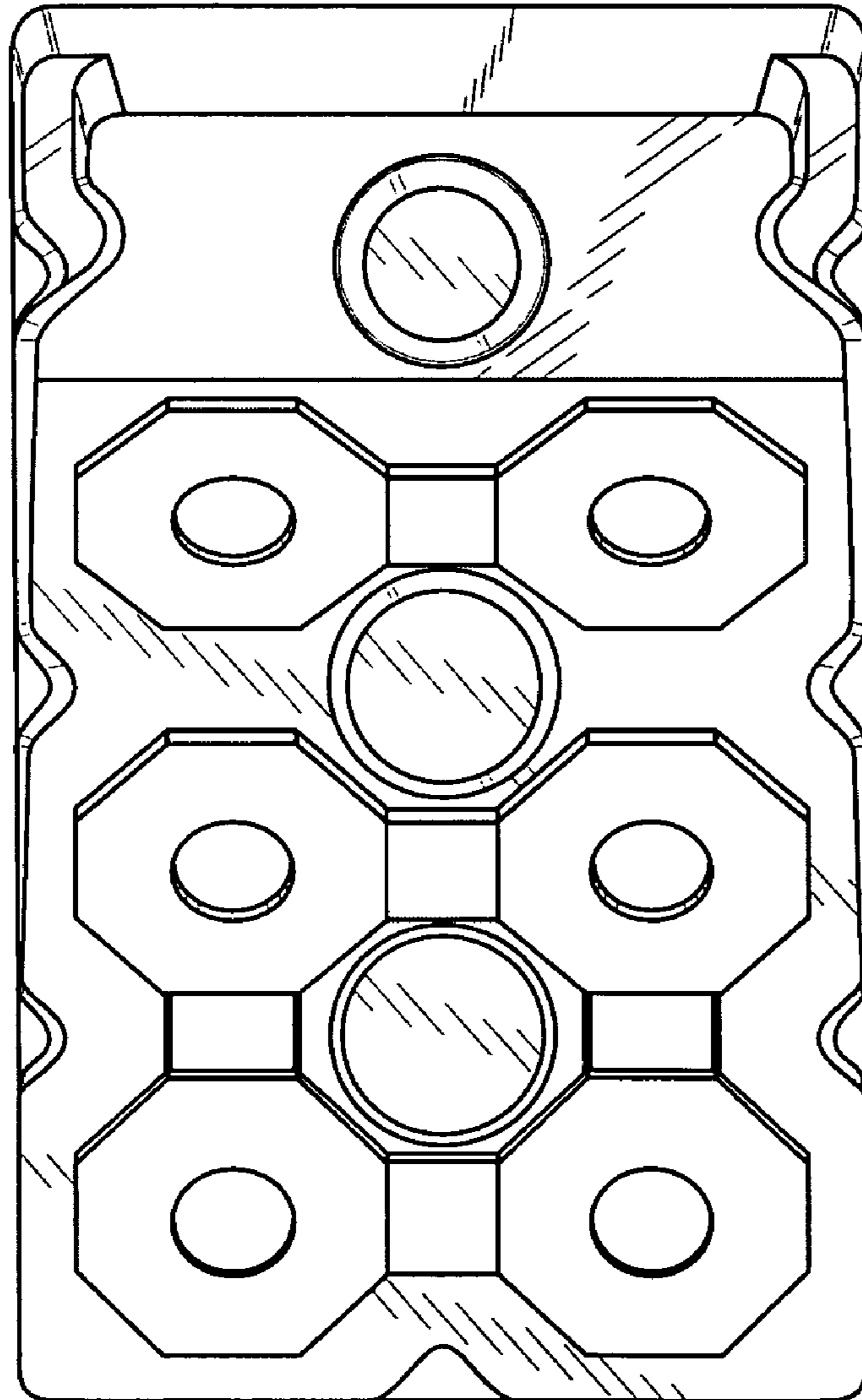


Fig. 2

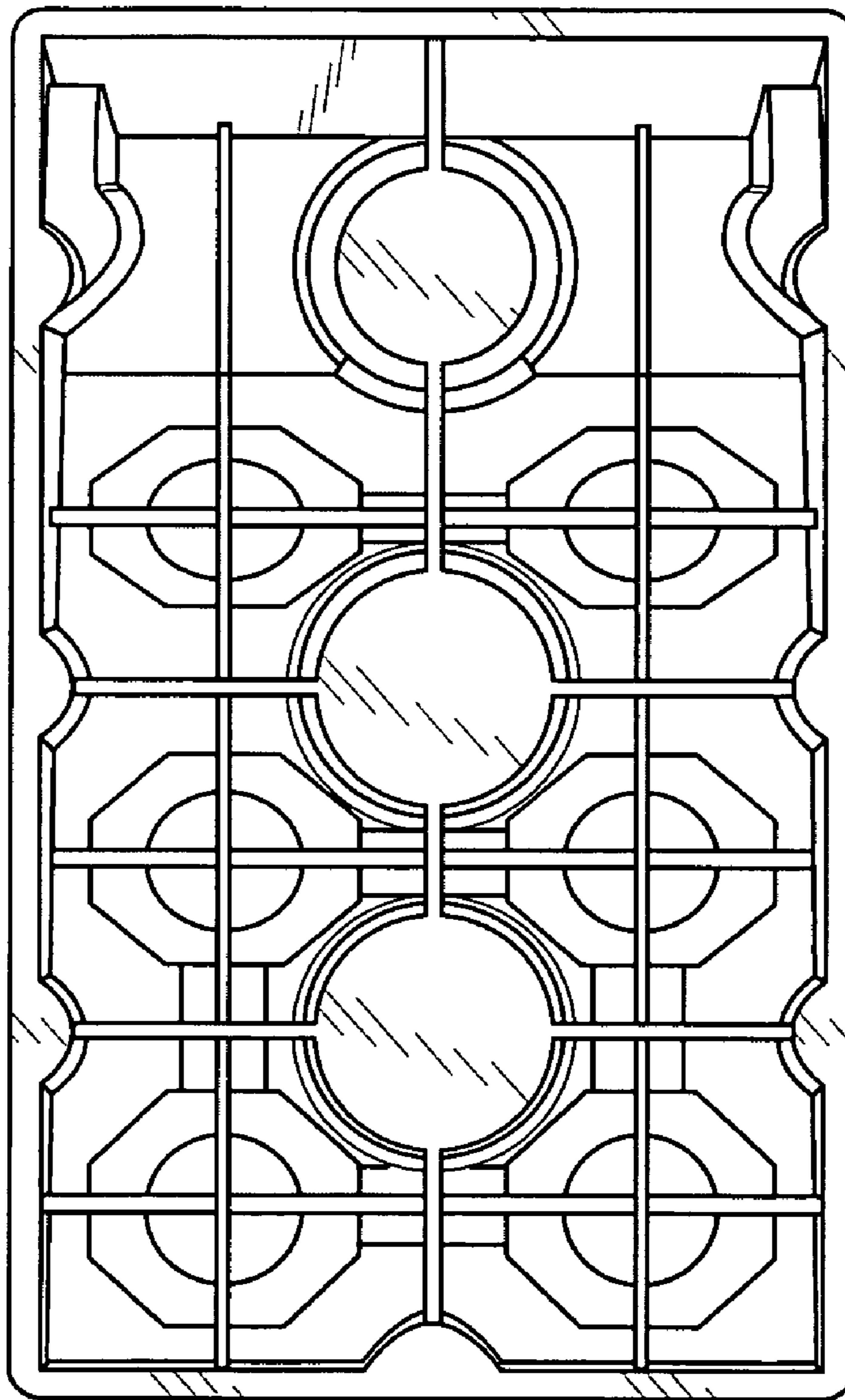


Fig. 3

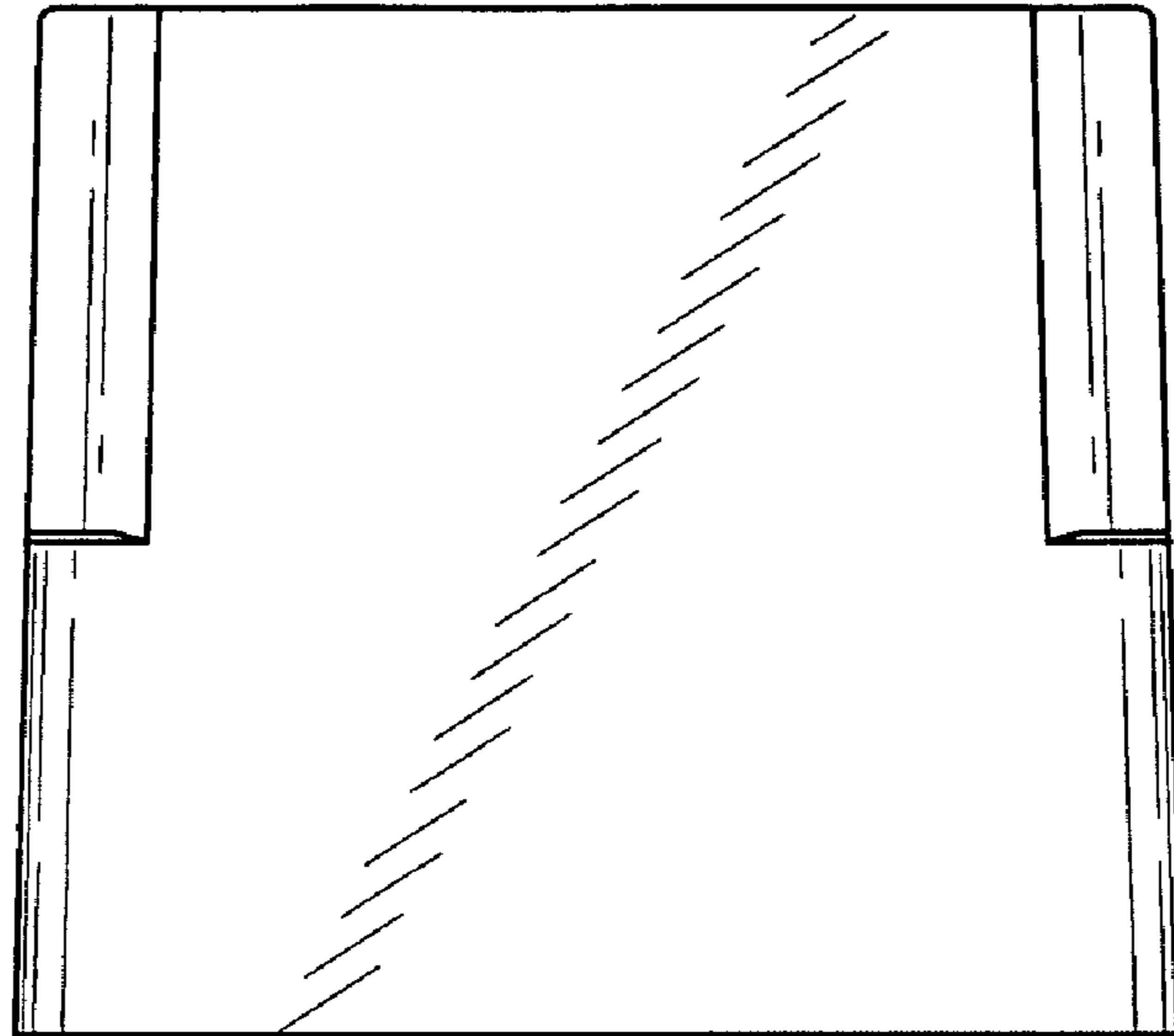


Fig. 4

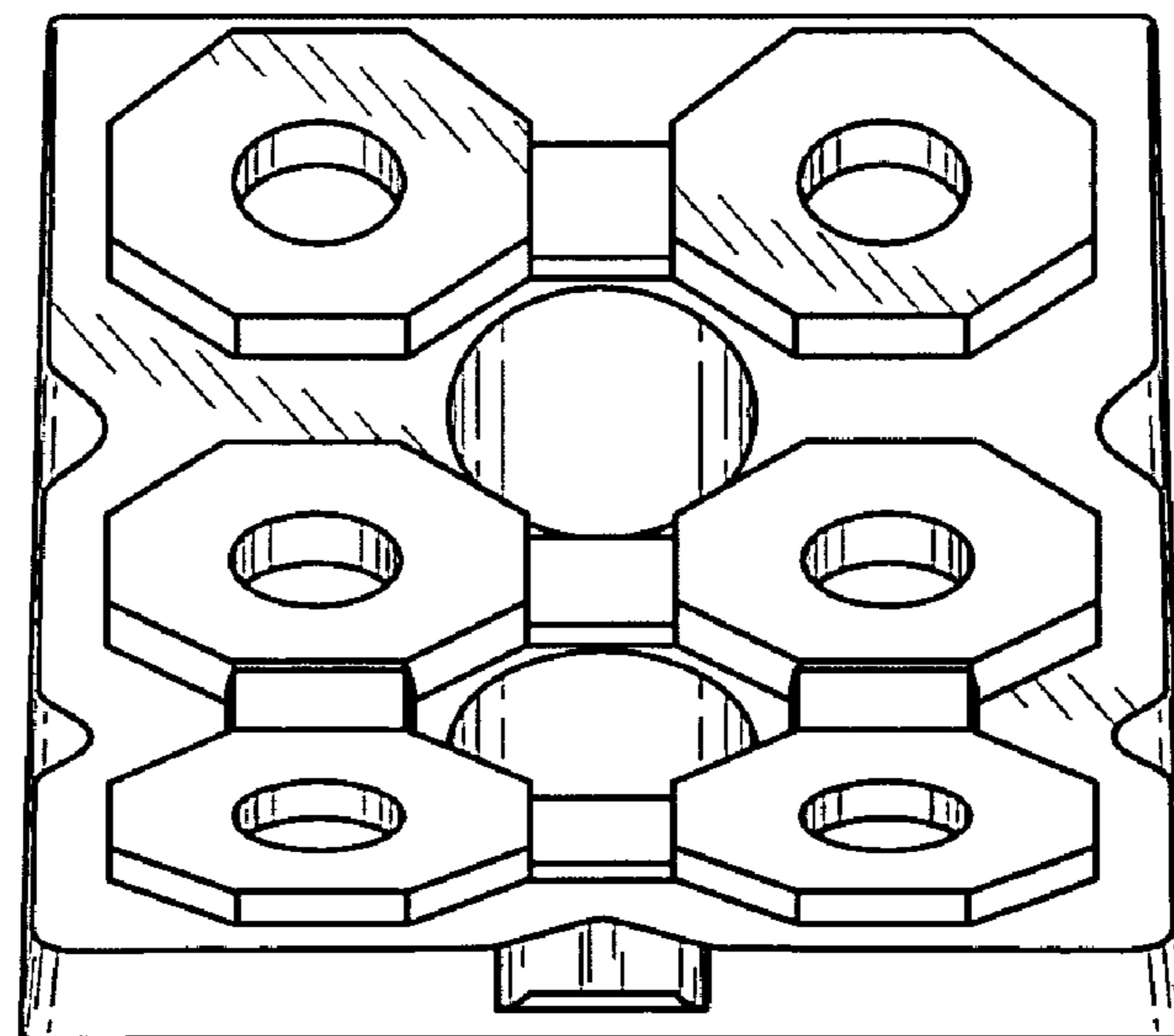


Fig. 5

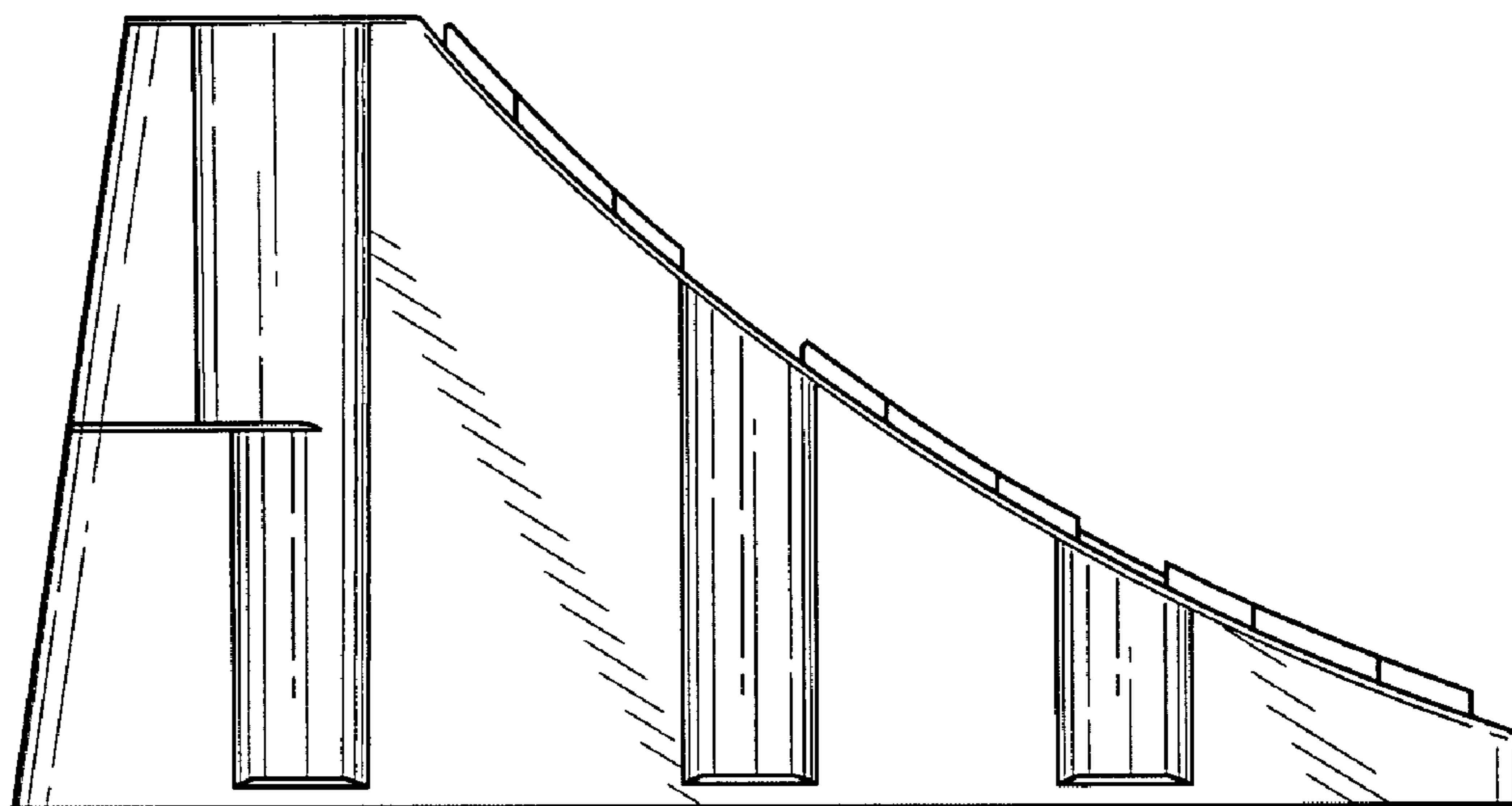


Fig. 6

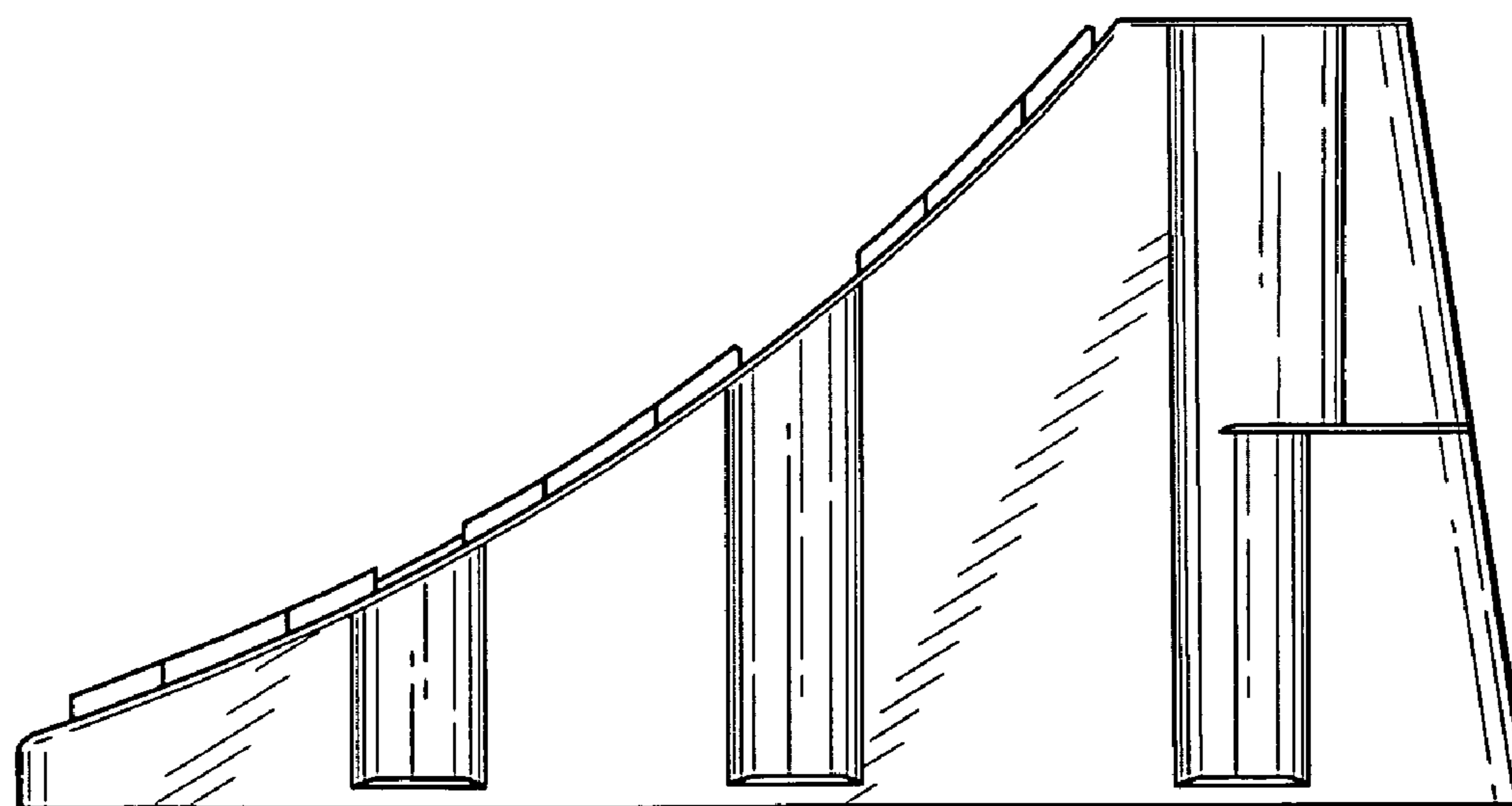


Fig. 7