

US00D577650S

(12) **United States Design Patent**  
**Chung**

(10) **Patent No.:** **US D577,650 S**  
(45) **Date of Patent:** **\*\* Sep. 30, 2008**

- (54) **WHEEL**
- (75) Inventor: **Suny Chung**, Yorba Linda, CA (US)
- (73) Assignee: **Wheel Pros, LLC**, Lakewood, CO (US)
- (\*\*) Term: **14 Years**
- (21) Appl. No.: **29/304,557**
- (22) Filed: **Mar. 4, 2008**
- (51) **LOC (8) Cl.** ..... **12-16**
- (52) **U.S. Cl.** ..... **D12/211**
- (58) **Field of Classification Search** ..... D12/204–213;  
301/37.101, 64.101, 65, 64.201  
See application file for complete search history.

- D488,116 S 4/2004 Chung
- D488,422 S 4/2004 Hartanto
- D488,762 S 4/2004 Cahyono
- D488,763 S 4/2004 Takechi
- D490,040 S 5/2004 Foose
- D492,234 S 6/2004 Kataoka
- D492,240 S 6/2004 Suciu
- D493,406 S 7/2004 Kataoka
- D494,523 S 8/2004 Koenigsberg
- D494,917 S \* 8/2004 Pollmann ..... D12/211
- D495,285 S 8/2004 Phillips
- D497,133 S 10/2004 Cheng

(Continued)

*Primary Examiner*—Stacia Cadmus  
(74) *Attorney, Agent, or Firm*—Garcia-Zamor IP Law; Ruy M. Garcia-Zamor

(56) **References Cited**

U.S. PATENT DOCUMENTS

- D214,620 S 7/1969 Barris
- D392,611 S \* 3/1998 Echazabal et al. .... D12/211
- D417,427 S 12/1999 Brown
- D436,339 S 1/2001 Fitzgerald
- D449,267 S 10/2001 Fitzgerald
- D456,333 S \* 4/2002 Pollmann ..... D12/211
- D456,757 S 5/2002 Schroeder
- D457,849 S 5/2002 Kataoka
- D459,691 S 7/2002 Takechi
- D460,941 S 7/2002 Muzzarelli
- D461,155 S 8/2002 Takechi
- D465,758 S 11/2002 Plessing
- D467,857 S 12/2002 Chung
- D468,678 S 1/2003 Oh
- D471,500 S 3/2003 Kataoka
- D471,503 S 3/2003 Baumgartner
- D474,141 S 5/2003 Foose
- D475,962 S 6/2003 Chung
- D478,306 S 8/2003 Brown et al.
- D481,346 S 10/2003 Vian
- D481,347 S 10/2003 Kang
- D484,083 S 12/2003 Tai
- D484,084 S 12/2003 Tai
- D486,114 S 2/2004 Lai
- D487,882 S 3/2004 Cahyono

(57) **CLAIM**

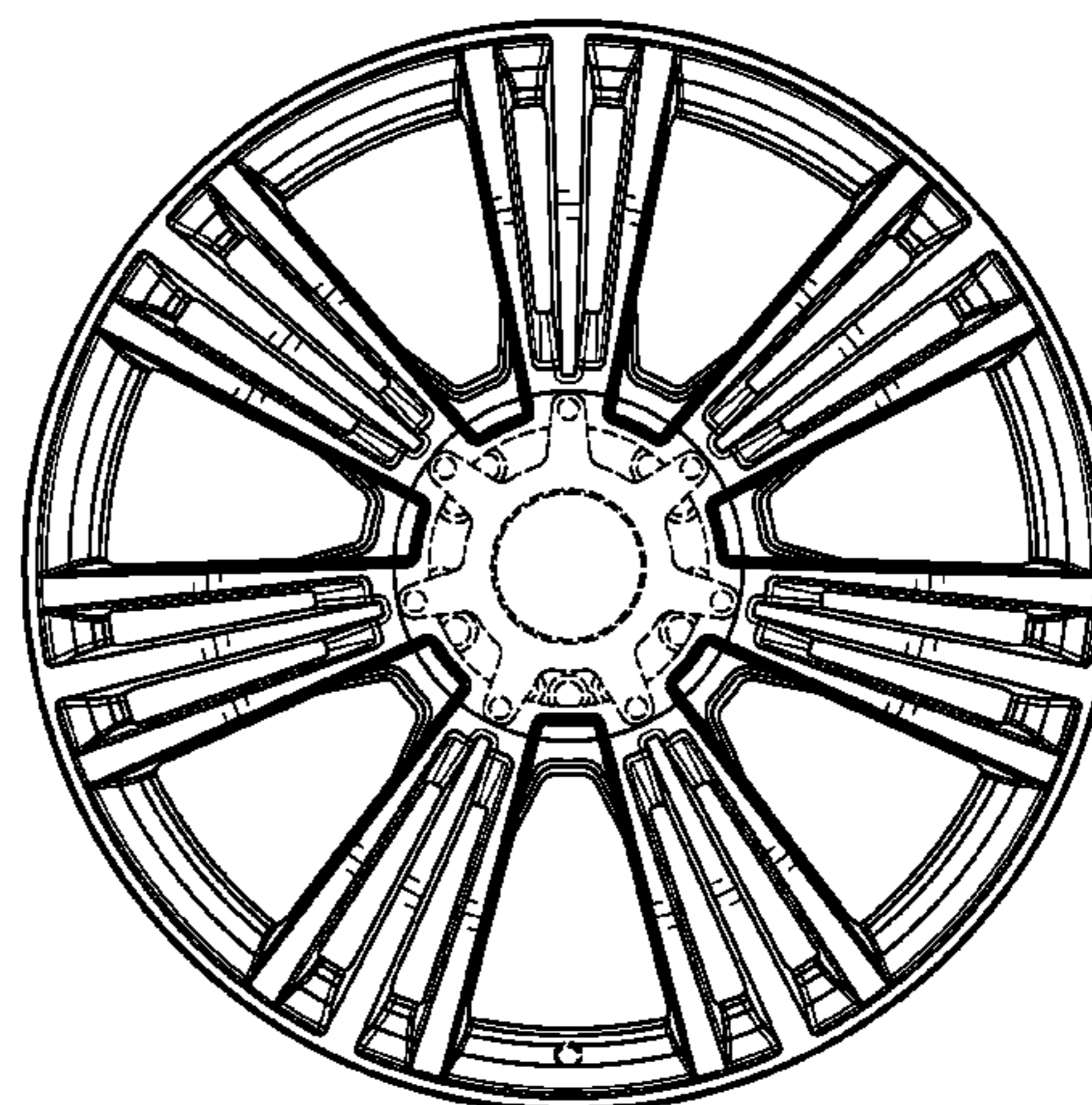
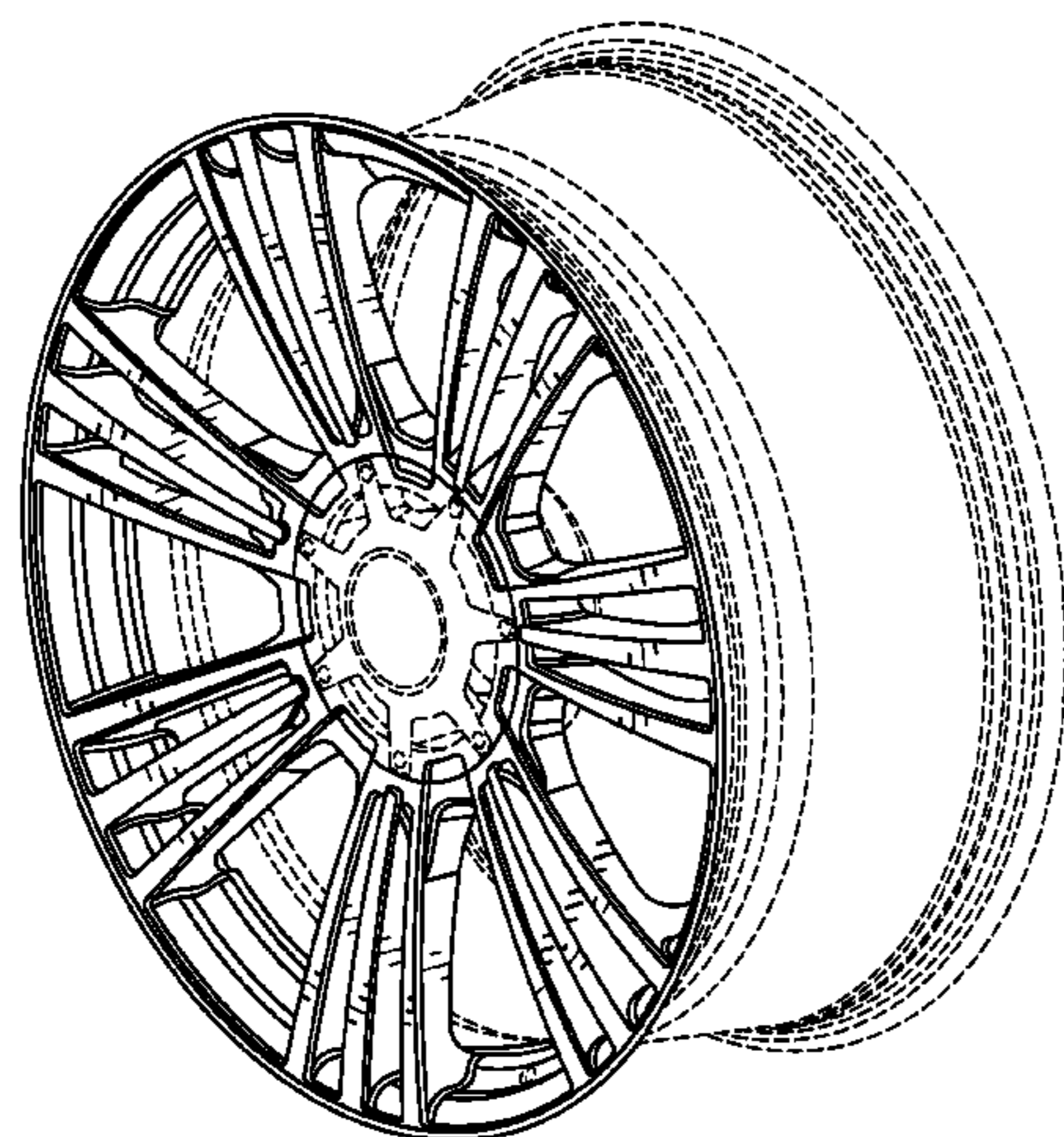
The ornamental design for a wheel, as shown and described.

**DESCRIPTION**

FIG. 1 is a perspective view of a wheel according to a first preferred embodiment of my new design;  
 FIG. 2 is a front elevational view of the wheel of FIG. 1;  
 FIG. 3 is a top plan view of the wheel of FIG. 1;  
 FIG. 4 is a bottom plan view of the wheel of FIG. 1;  
 FIG. 5 is a left side elevational view of the wheel of FIG. 1;  
 FIG. 6 is a right side elevational view of the wheel of FIG. 1;  
 FIG. 7 is a rear elevational view of the wheel of FIG. 1;  
 FIG. 8 is a perspective view of a wheel according to a second preferred embodiment of my new design; and,  
 FIG. 9 is a front elevational view of the wheel of FIG. 8;  
 Portions of the wheel not shown in FIGS. 8 and 9 are disclaimed as forming no part of the claimed design.

The broken lines in FIGS. 1–9 represent environment and are for illustrative purposes only and do not constitute part of the claimed design.

**1 Claim, 7 Drawing Sheets**



# US D577,650 S

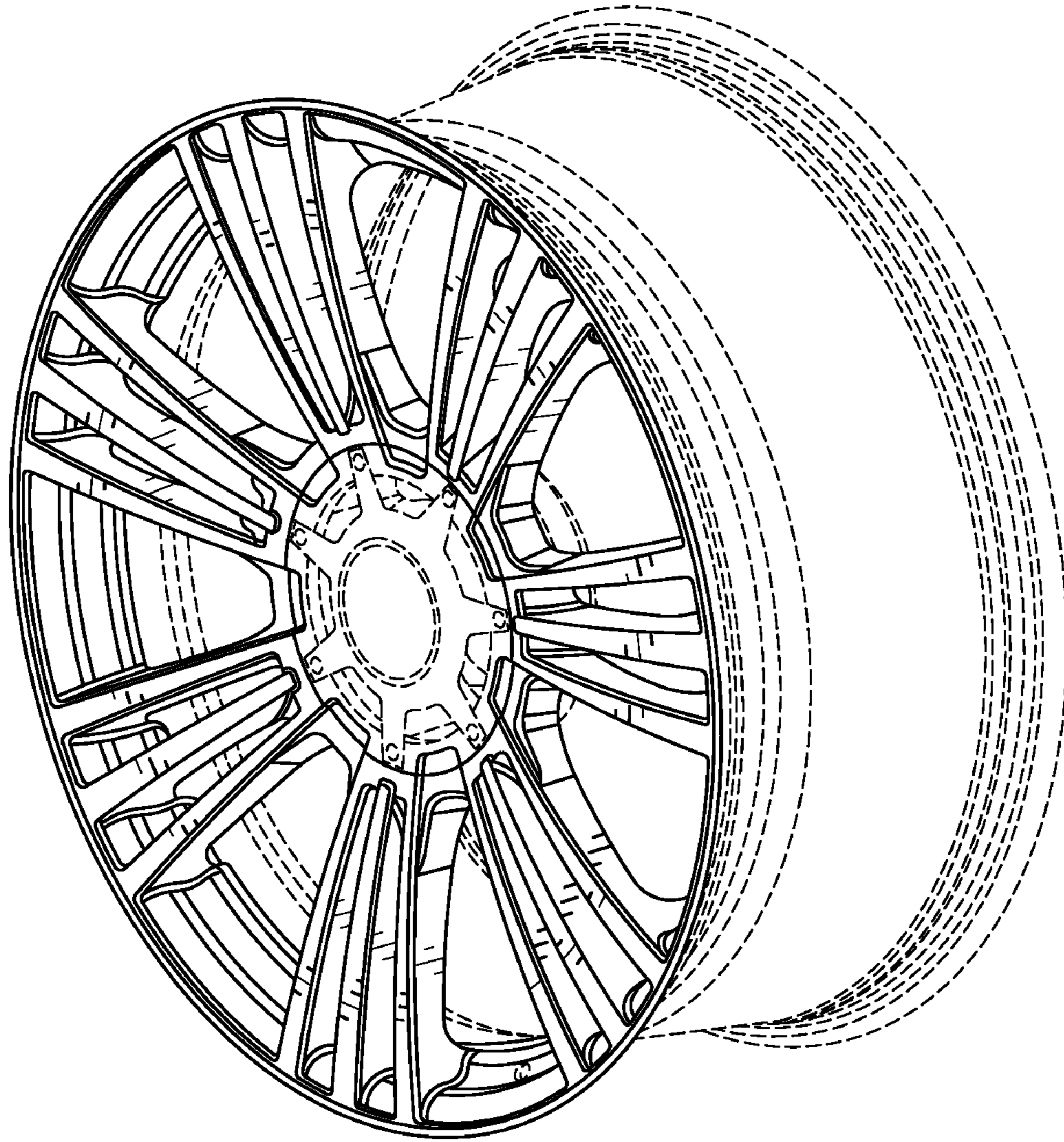
Page 2

---

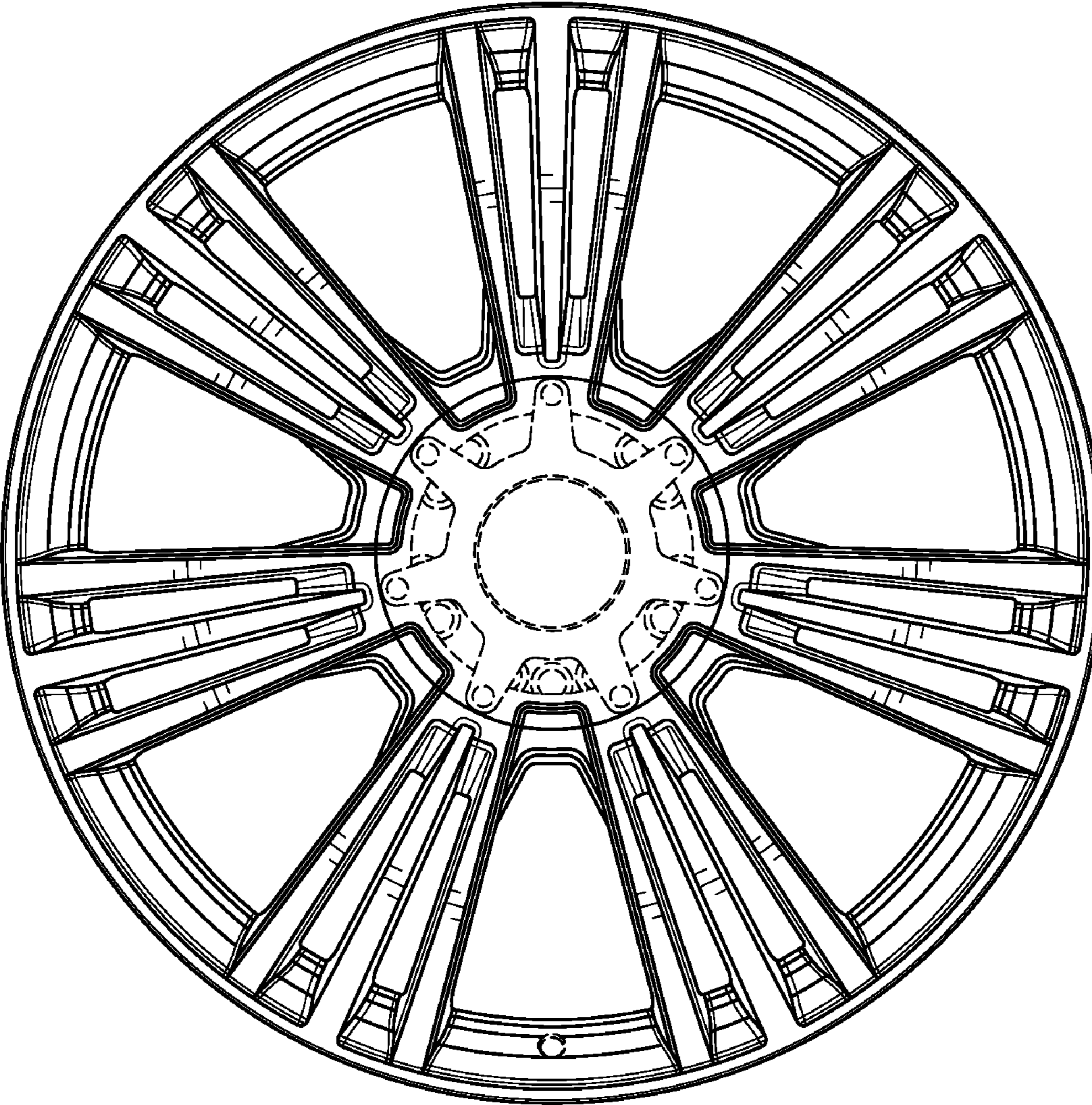
## U.S. PATENT DOCUMENTS

D497,134 S	10/2004	Anderson et al.		D507,222 S	7/2005	Arellano et al.	
D497,139 S	10/2004	Anderson et al.		D513,726 S	1/2006	Kamimura	
D499,060 S	11/2004	Cahyono		D513,727 S *	1/2006	Gallert .....	D12/211
D501,815 S *	2/2005	Weld .....	D12/209	D527,699 S	9/2006	Kiesel	
D504,099 S	4/2005	Boyer		D535,241 S *	1/2007	Kim .....	D12/211
D505,651 S	5/2005	Arellano et al.		D542,209 S *	5/2007	Pfeiffer .....	D12/211
D506,429 S	6/2005	Arellano et al.		D566,642 S *	4/2008	Scheu .....	D12/211
D506,719 S *	6/2005	Chen .....	D12/211	D568,800 S *	5/2008	Huet .....	D12/211

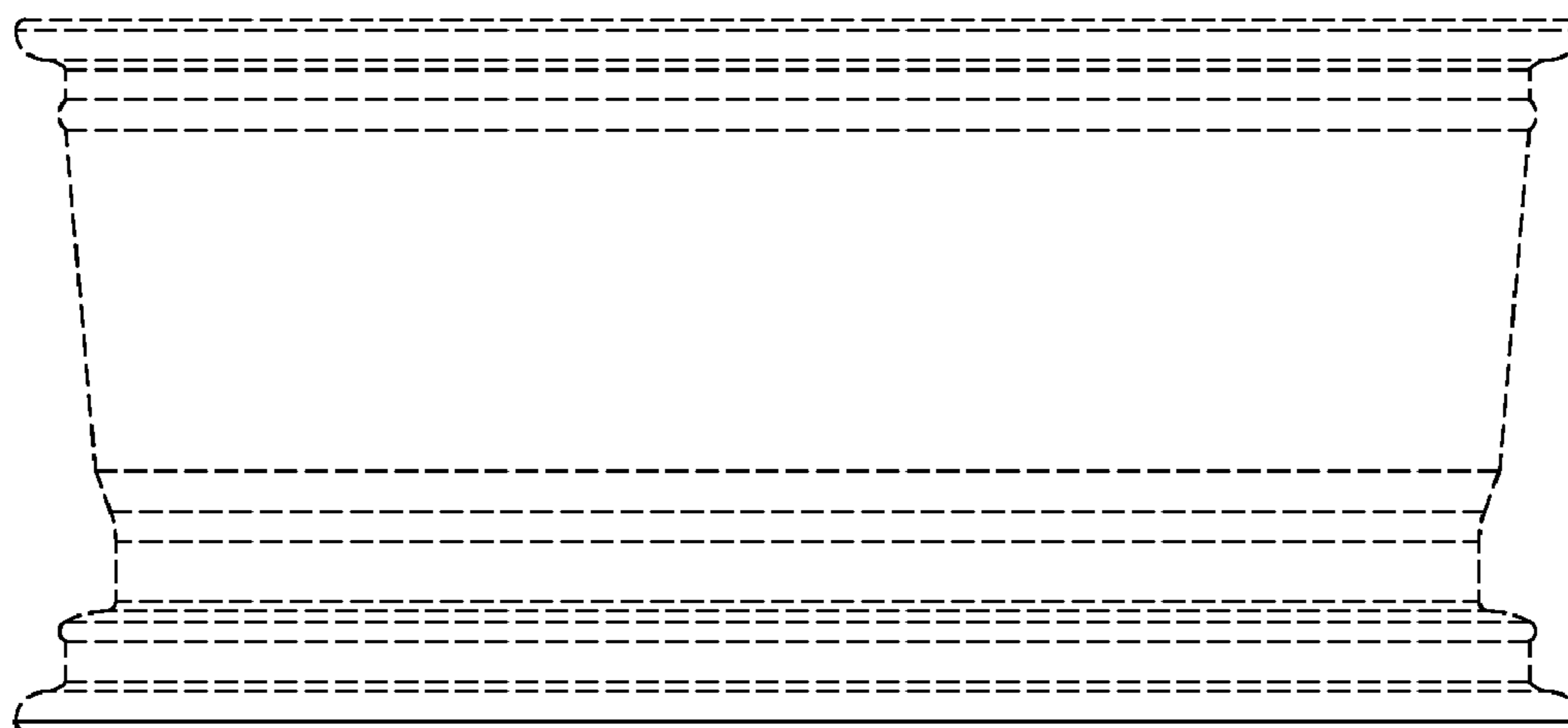
\* cited by examiner



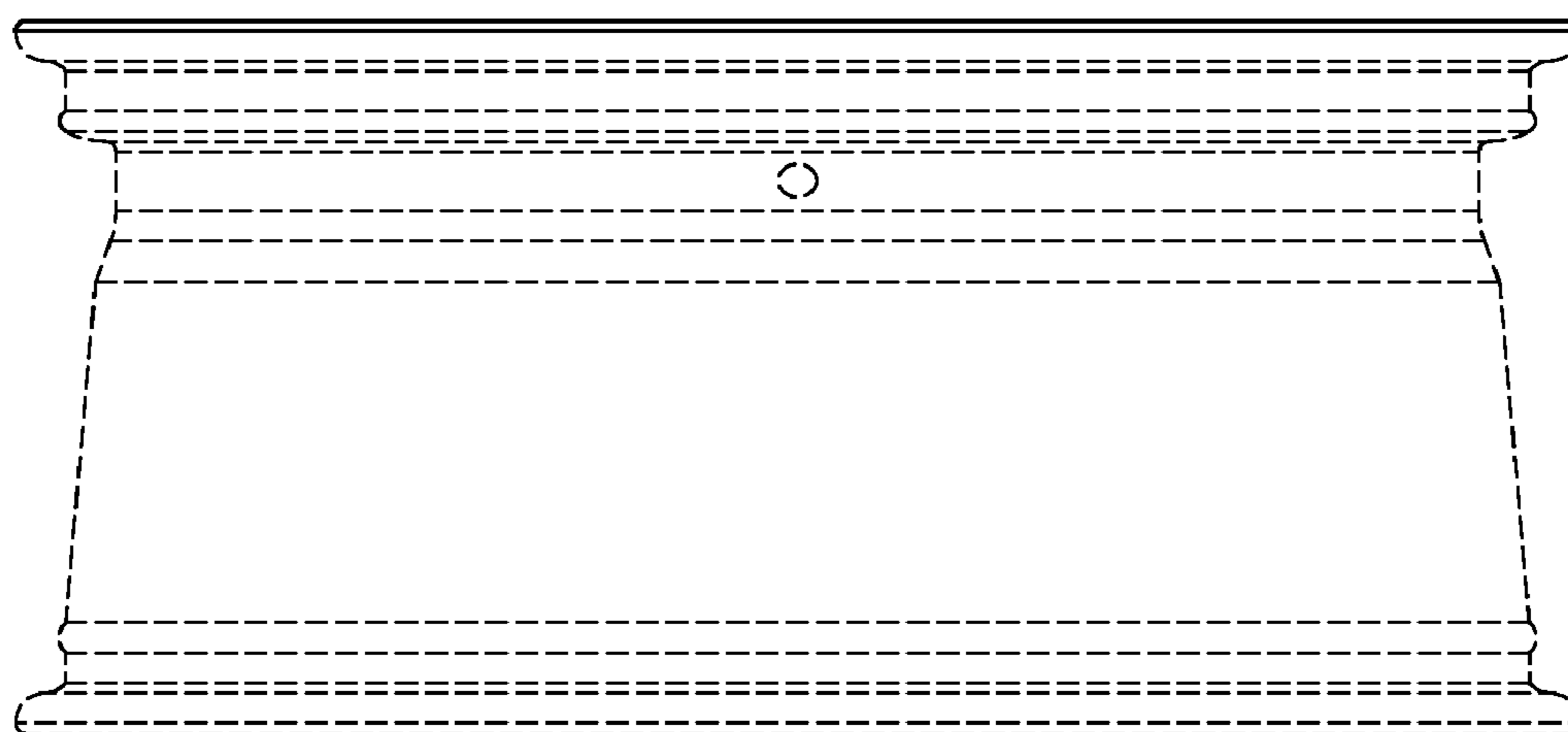
*Fig. 1*



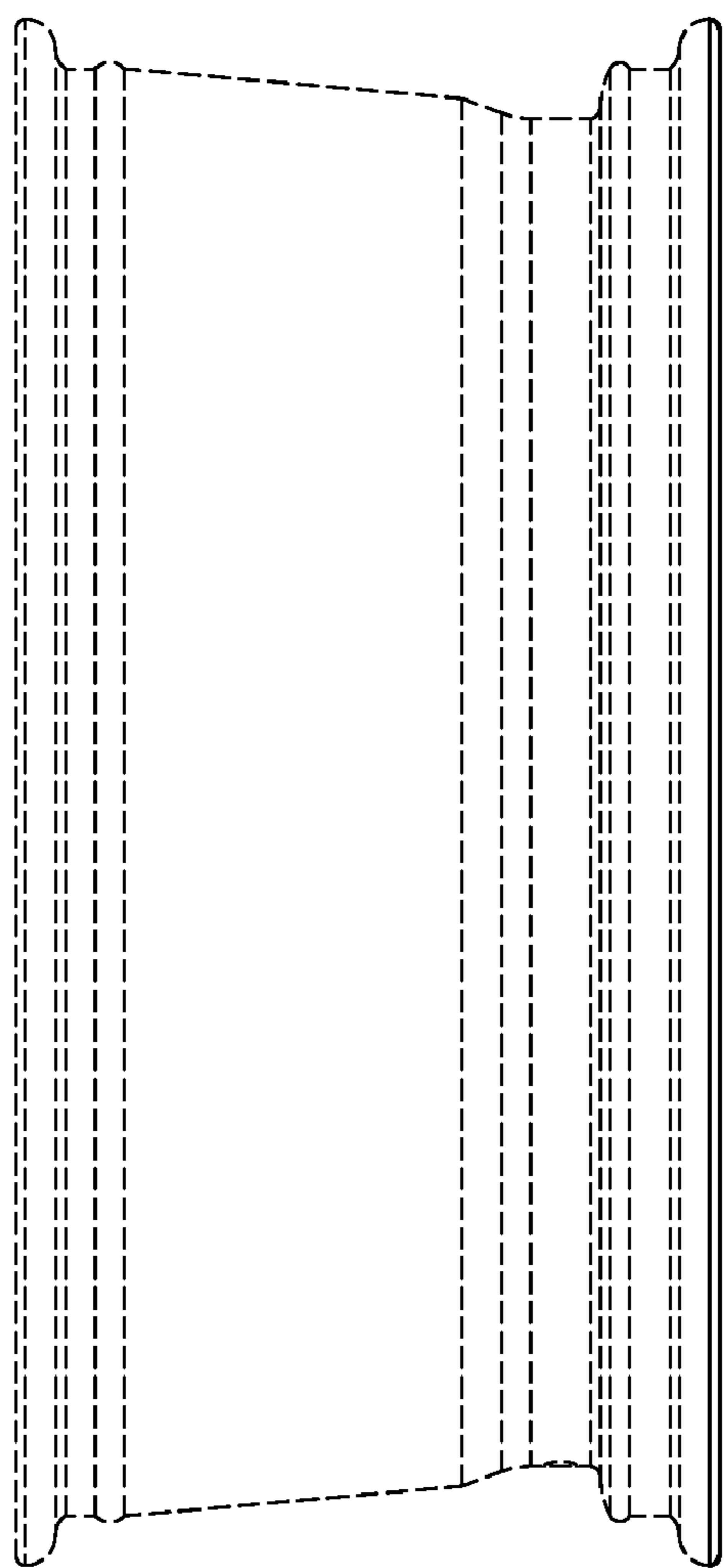
*Fig. 2*



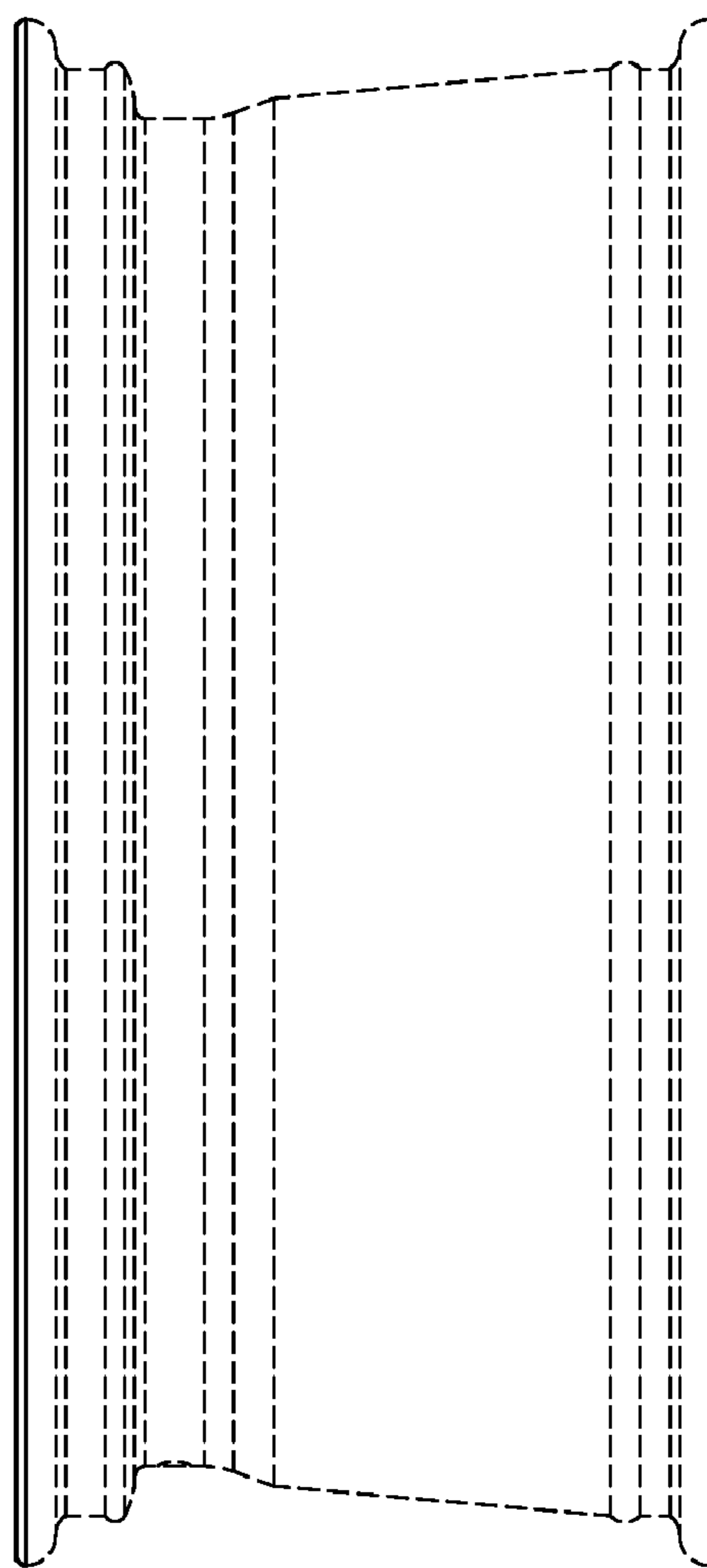
*Fig. 3*



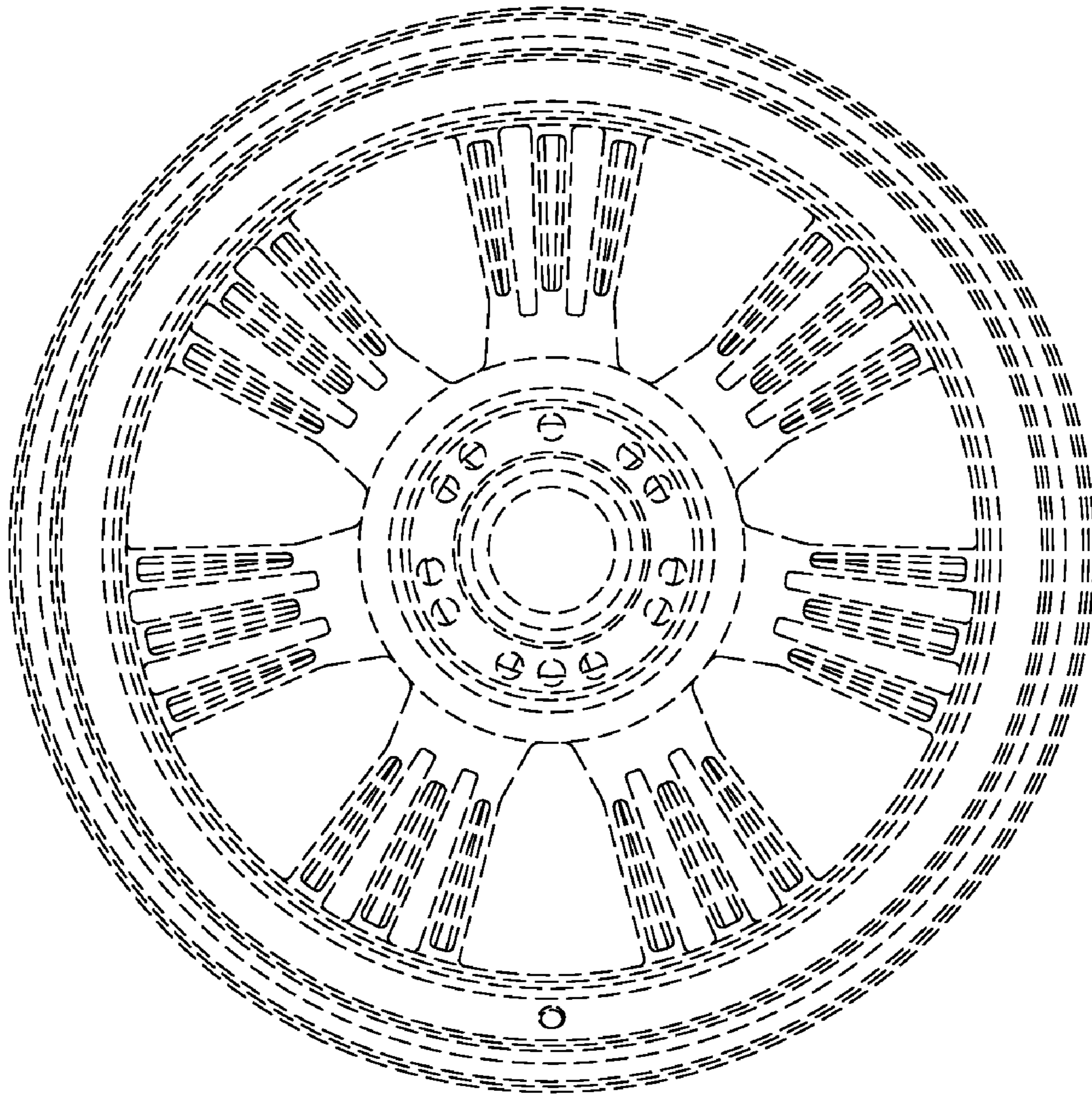
*Fig. 4*



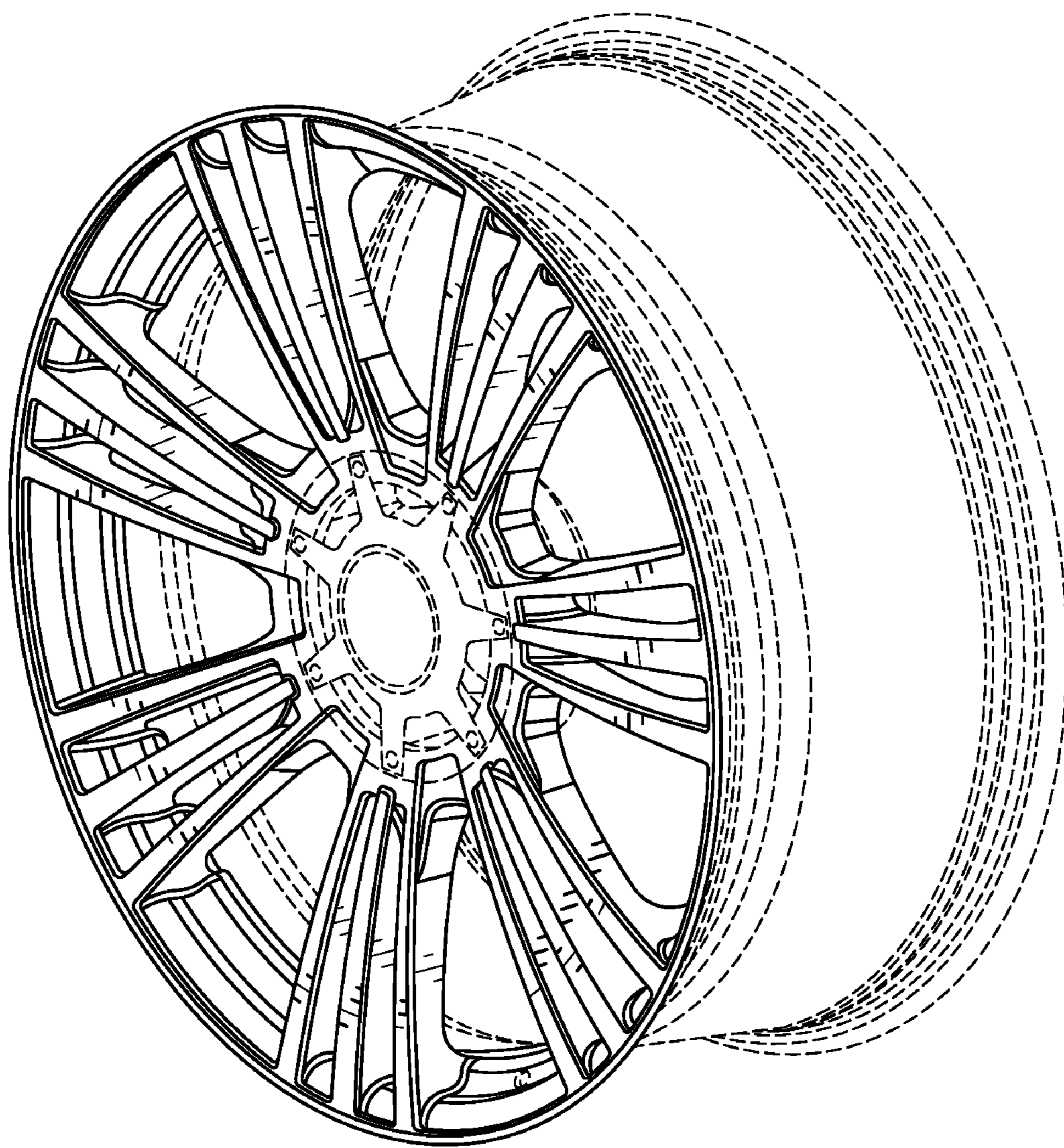
*Fig. 5*



*Fig. 6*

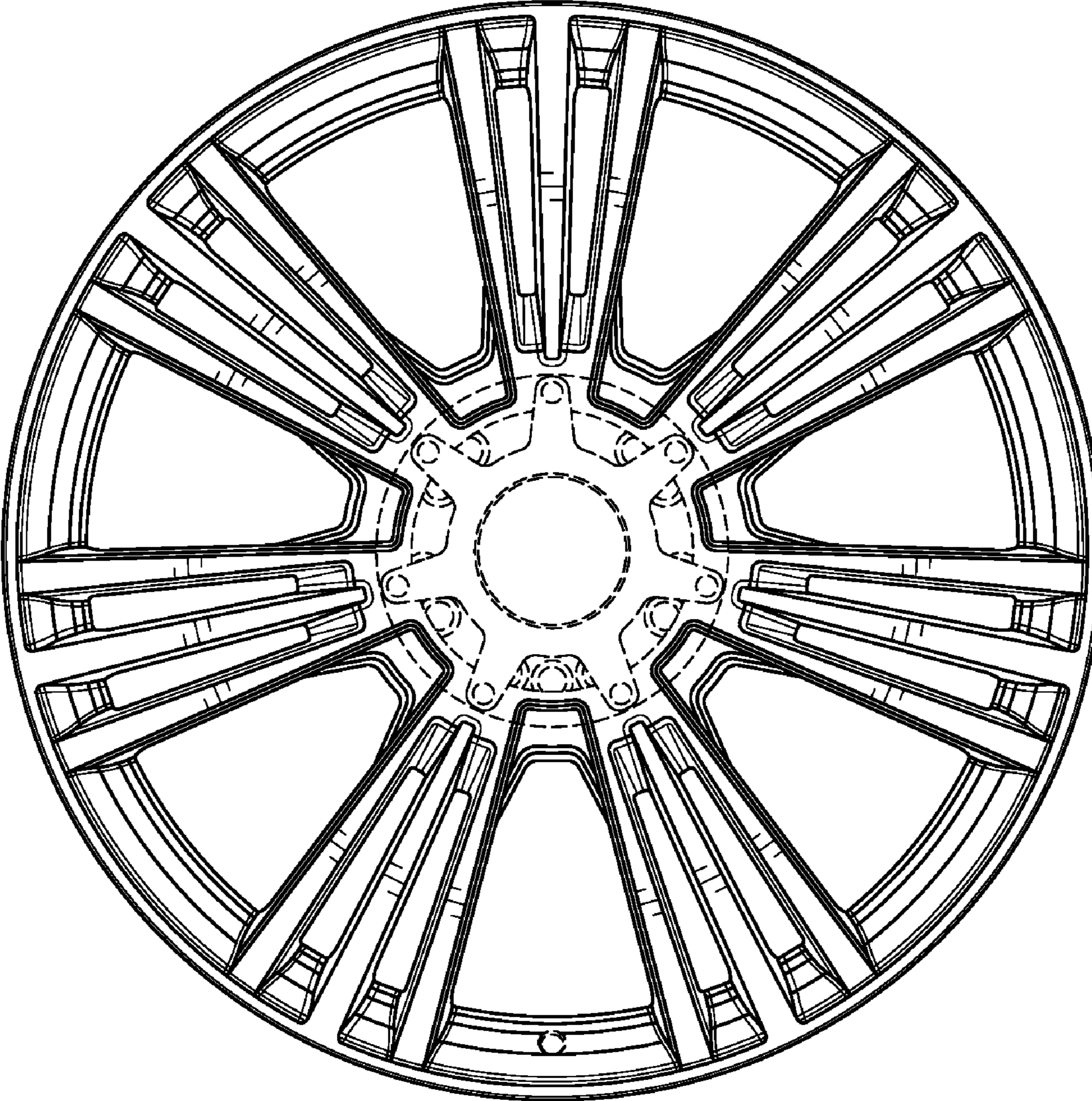


***Fig. 7***



***Fig. 8***





*Fig. 9*