



US00D577641S

(12) **United States Design Patent**
Wyszogrod et al.

(10) **Patent No.:** **US D577,641 S**
(45) **Date of Patent:** **** Sep. 30, 2008**

(54) **PORTION OF A VEHICLE INSTRUMENT
PANEL**

(75) Inventors: **Jose Wyszogrod**, Los Angeles, CA (US);
Hiroki Shigehara, Palos Verdes, CA
(US)

(73) Assignee: **Honda Motor Co., Ltd.**, Tokyo (JP)

(**) Term: **14 Years**

(21) Appl. No.: **29/299,337**

(22) Filed: **Dec. 21, 2007**

(51) **LOC (8) Cl.** **12-16**

(52) **U.S. Cl.** **D12/192**

(58) **Field of Classification Search** D12/192,
D12/195, 415; 180/190; 280/750-752;
296/190.01-190.09, 70; D15/17, 28; D10/46,
D10/98, 102-103

See application file for complete search history.

(56) **References Cited**

U.S. PATENT DOCUMENTS

- D403,641 S * 1/1999 Sacco et al. D12/192
- D470,807 S * 2/2003 Wyszogrod et al. D12/192
- D489,660 S * 5/2004 Okumura et al. D12/192
- D494,908 S * 8/2004 Pfeiffer D12/192

- D512,006 S * 11/2005 Sims D12/192
- D512,357 S * 12/2005 Schuttera D12/192
- D530,249 S * 10/2006 Norman et al. D12/192
- D532,353 S * 11/2006 Honda et al. D12/192
- D560,150 S * 1/2008 Honma et al. D12/192
- D567,162 S * 4/2008 Motozaki et al. D12/192

* cited by examiner

Primary Examiner—Stacia Cadmus

(74) *Attorney, Agent, or Firm*—Plumsea Law Group, LLC;
Mark E. Duell

(57) **CLAIM**

The ornamental design for a portion of a vehicle instrument panel, as shown and described.

DESCRIPTION

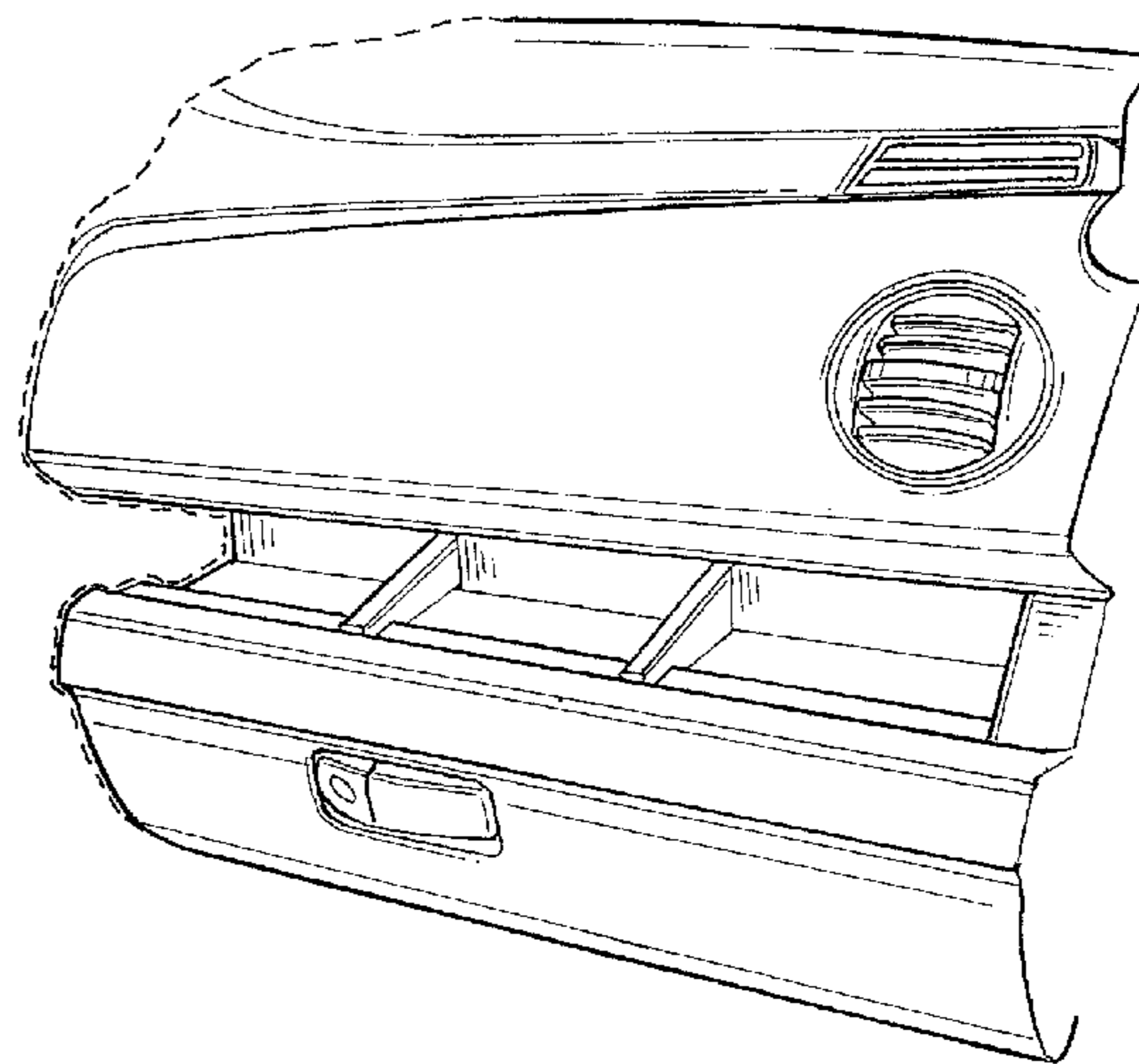
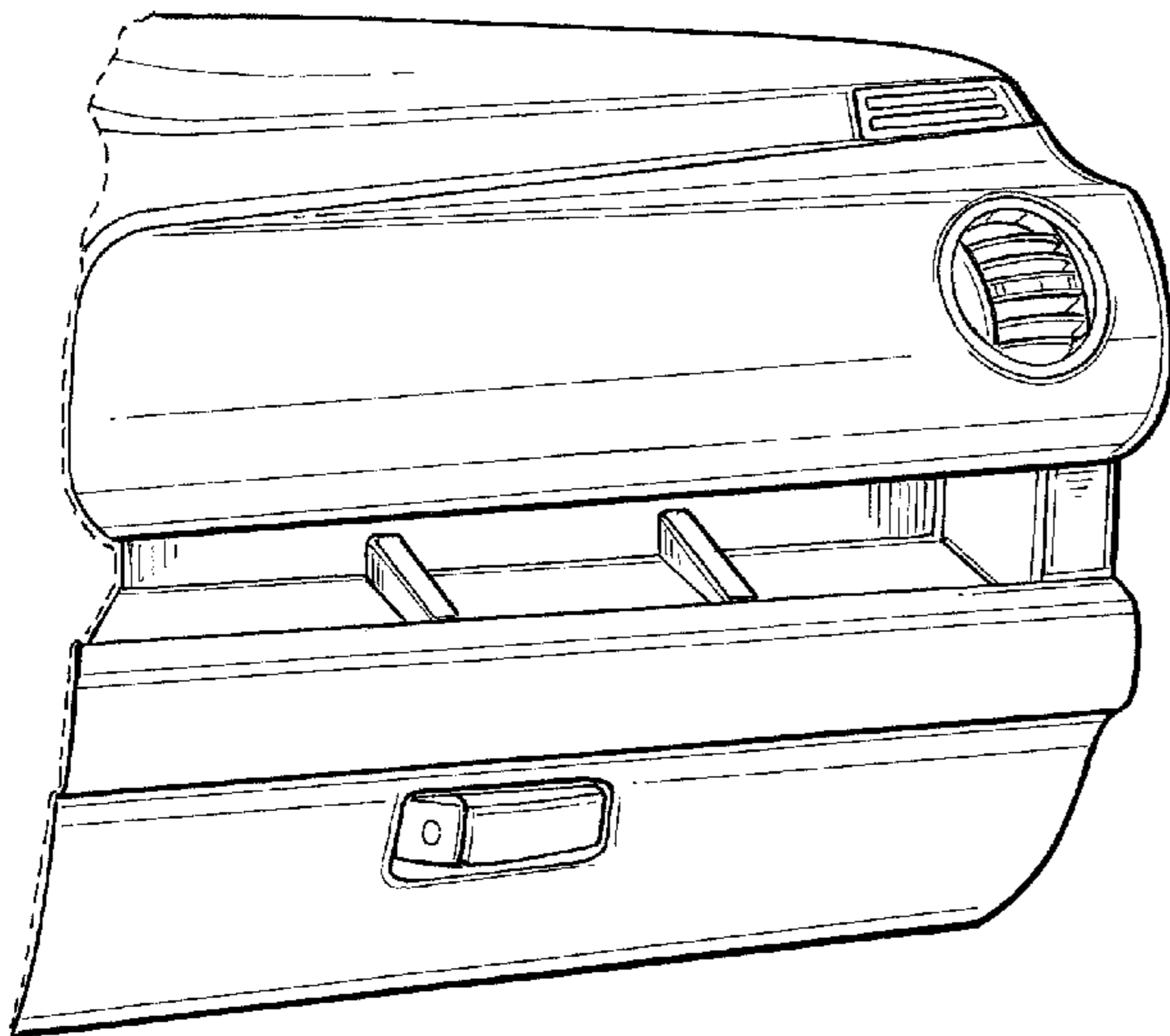
FIG. 1 is a front elevational view of a portion of a vehicle instrument panel showing my new design;

FIG. 2 is a perspective view thereof; and,

FIG. 3 is a perspective view thereof viewed from the opposite side.

The broken line showing of the left-hand boundary denotes the boundary of the claim itself and forms no part of the claimed design.

1 Claim, 2 Drawing Sheets



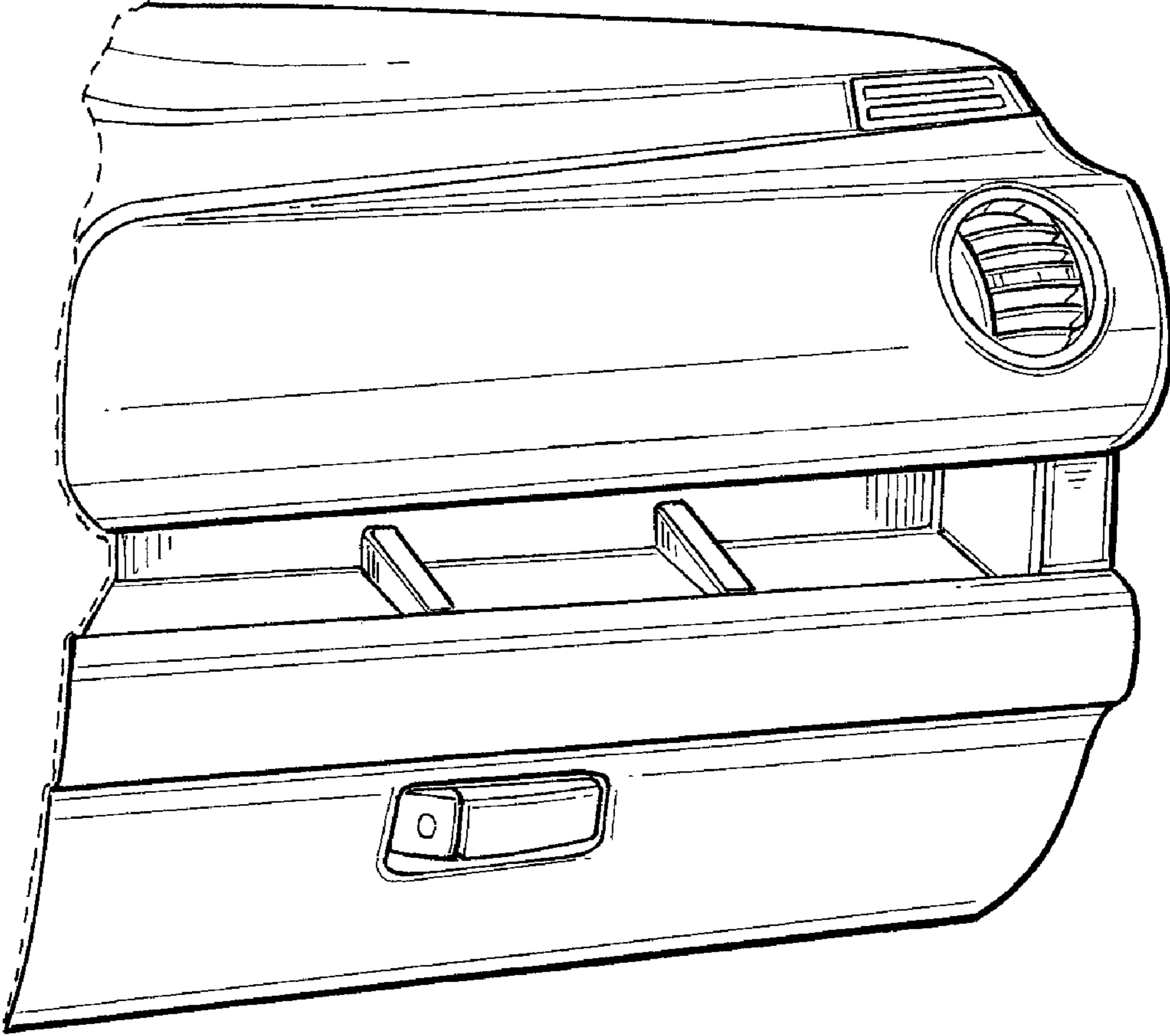


FIG. 1

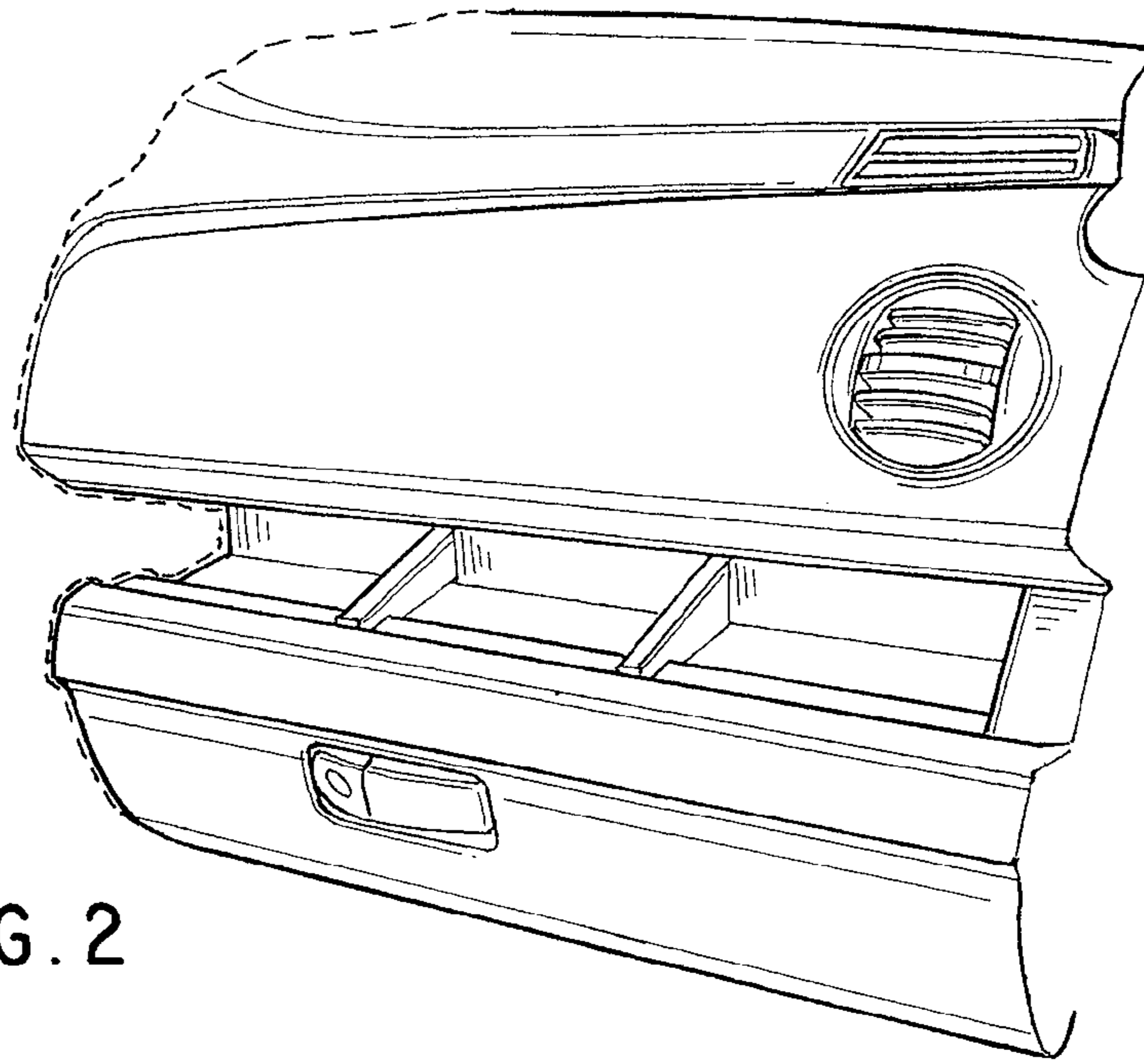


FIG. 2

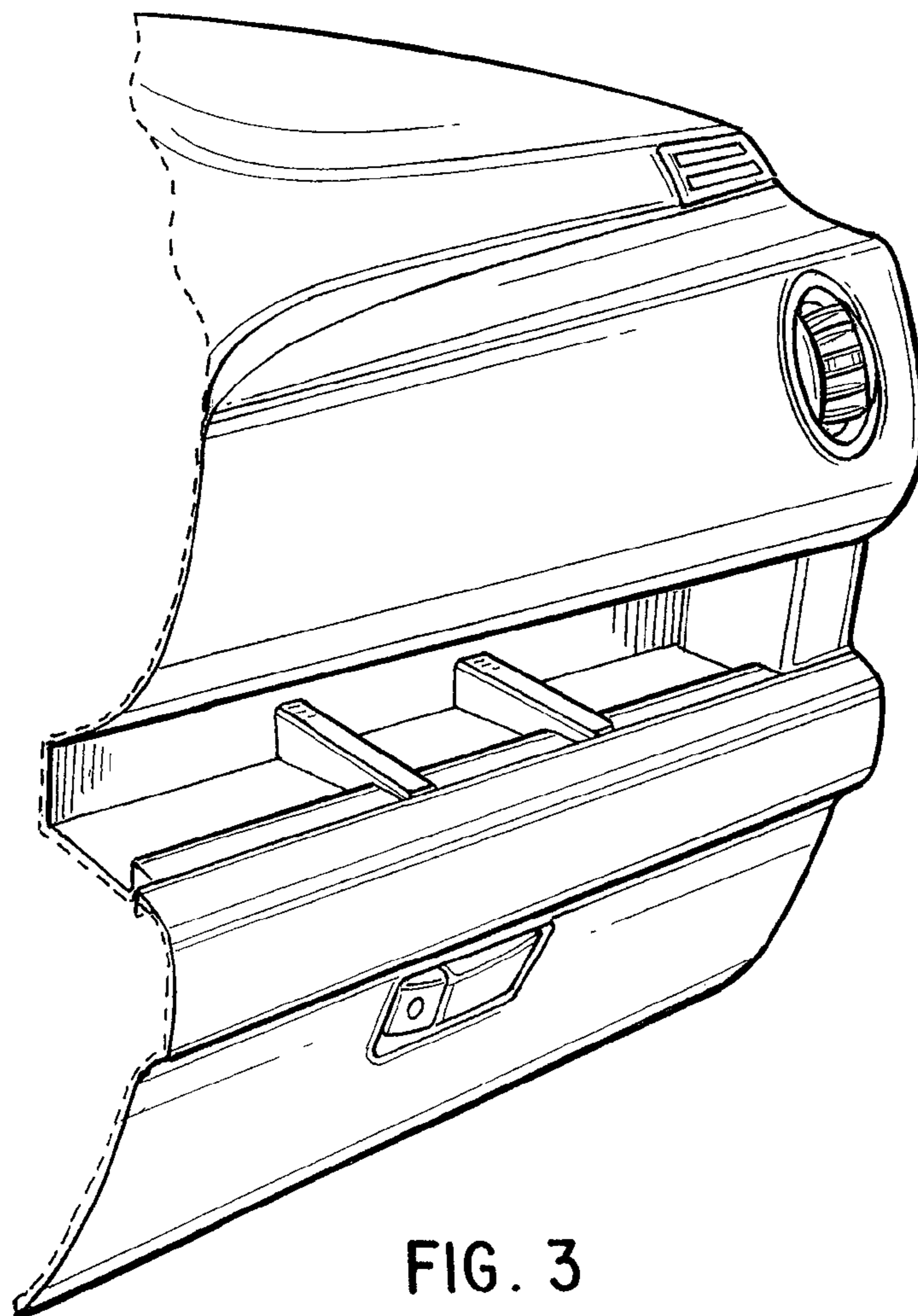


FIG. 3