



US00D577639S

(12) **United States Design Patent**
Choi et al.

(10) **Patent No.:** **US D577,639 S**
(45) **Date of Patent:** **** Sep. 30, 2008**

(54) **VEHICLE DOOR MIRROR**

D549,625 S * 8/2007 Pfeiffer D12/187
D554,032 S * 10/2007 Bengtsson D12/187

(75) Inventors: **Young Choi**, Redondo Beach, CA (US);
Roger Brown, Corona, CA (US)

* cited by examiner

(73) Assignee: **Honda Motor Co., Ltd.**, Tokyo (JP)

Primary Examiner—Stacia Cadmus

(**) Term: **14 Years**

(74) *Attorney, Agent, or Firm*—Plumsea Law Group, LLC;
Mark E. Duell

(21) Appl. No.: **29/298,847**

(57) **CLAIM**

(22) Filed: **Dec. 13, 2007**

The ornamental design for a vehicle door mirror, as shown and described.

(51) **LOC (8) Cl.** **12-16**

(52) **U.S. Cl.** **D12/187**

(58) **Field of Classification Search** D12/187-189;
359/838-851, 855-868, 871-881; 248/475.1,
248/476, 480-481, 485-487; 296/101.1
See application file for complete search history.

DESCRIPTION

FIG. 1 is a perspective view of a vehicle door mirror showing our new design;

FIG. 2 is an elevational view thereof;

FIG. 3 is a top plan view thereof;

FIG. 4 is a perspective view of a second embodiment of a right-handed version of the vehicle door mirror;

FIG. 5 is an elevational view thereof; and,

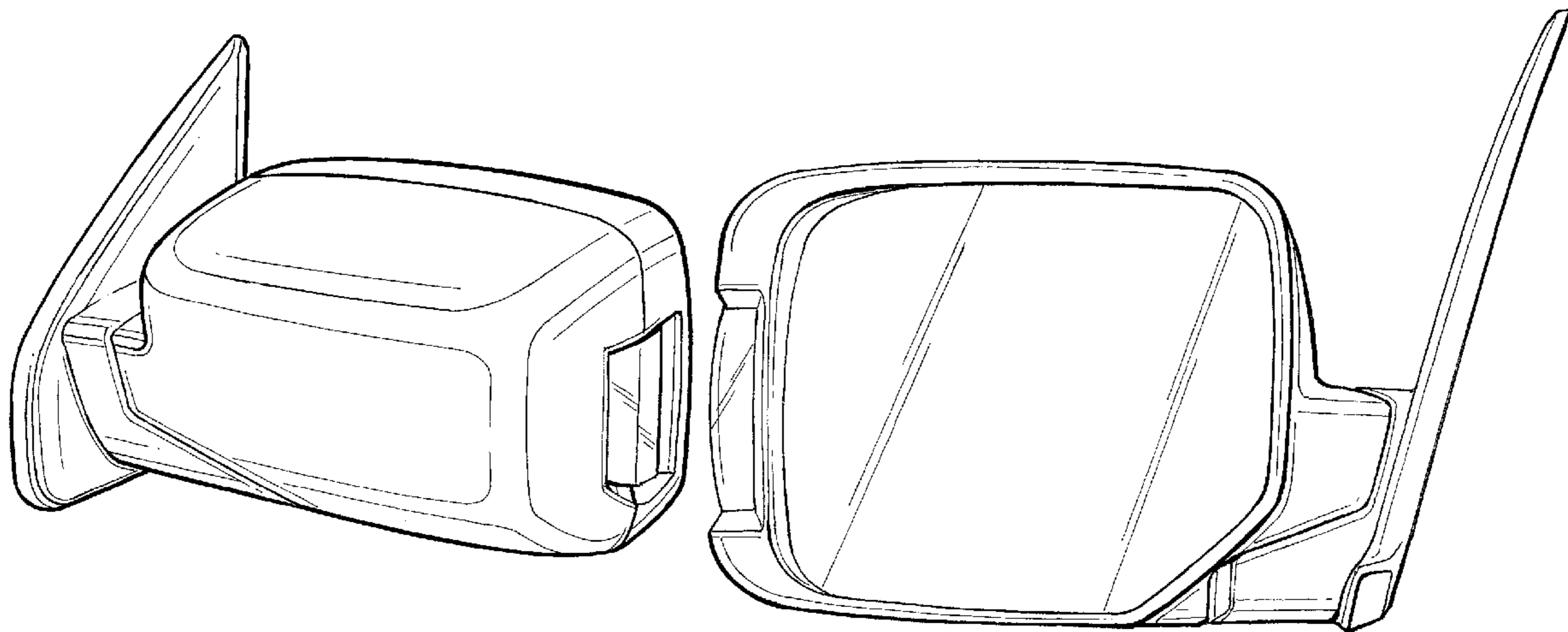
FIG. 6 is a top plan view thereof.

(56) **References Cited**

U.S. PATENT DOCUMENTS

D496,311 S * 9/2004 Simmons et al. D12/187
D508,447 S * 8/2005 Morrow et al. D12/187
D543,918 S * 6/2007 Pfeiffer D12/187
D545,739 S * 7/2007 Sasaki et al. D12/187

1 Claim, 4 Drawing Sheets



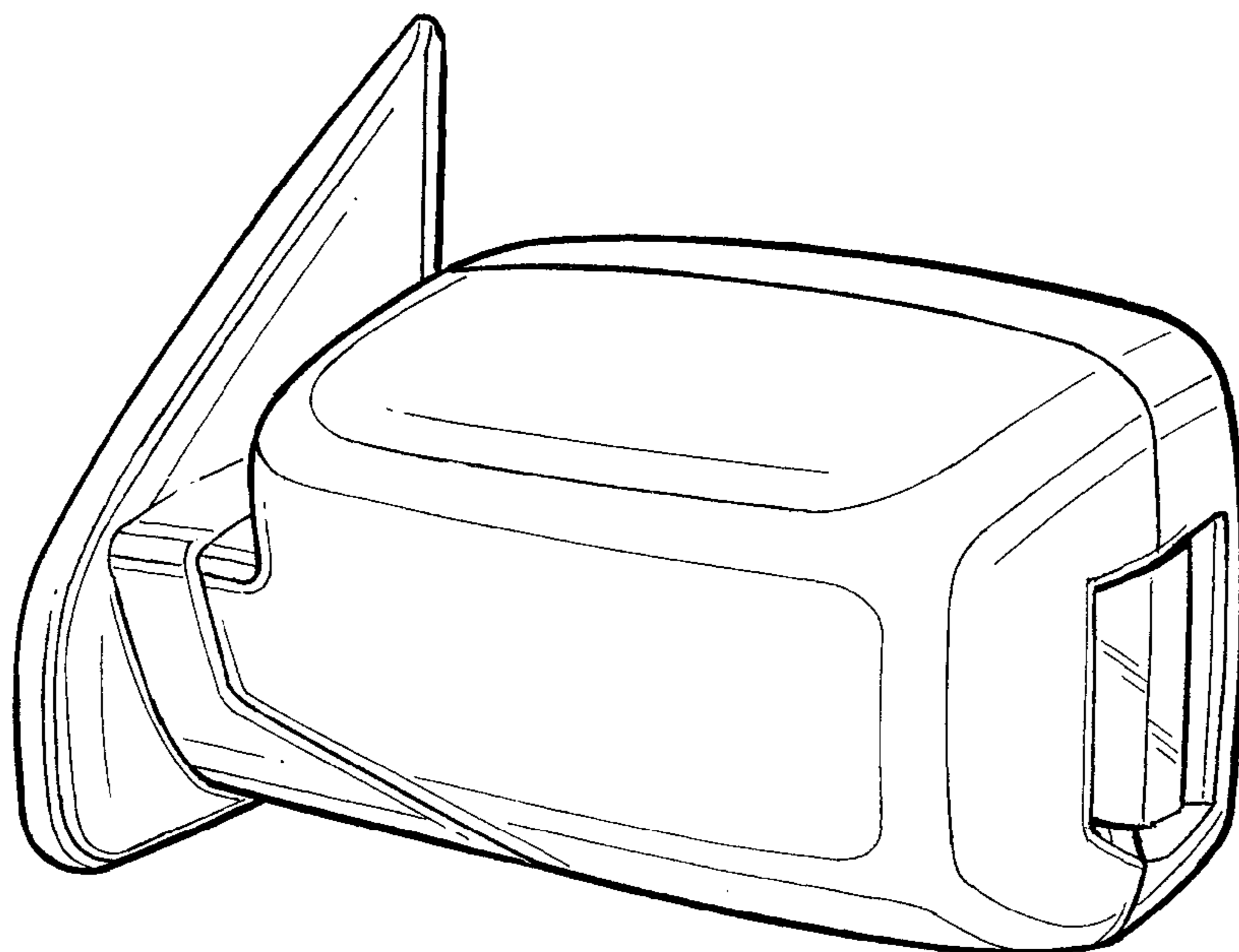


FIG. 1

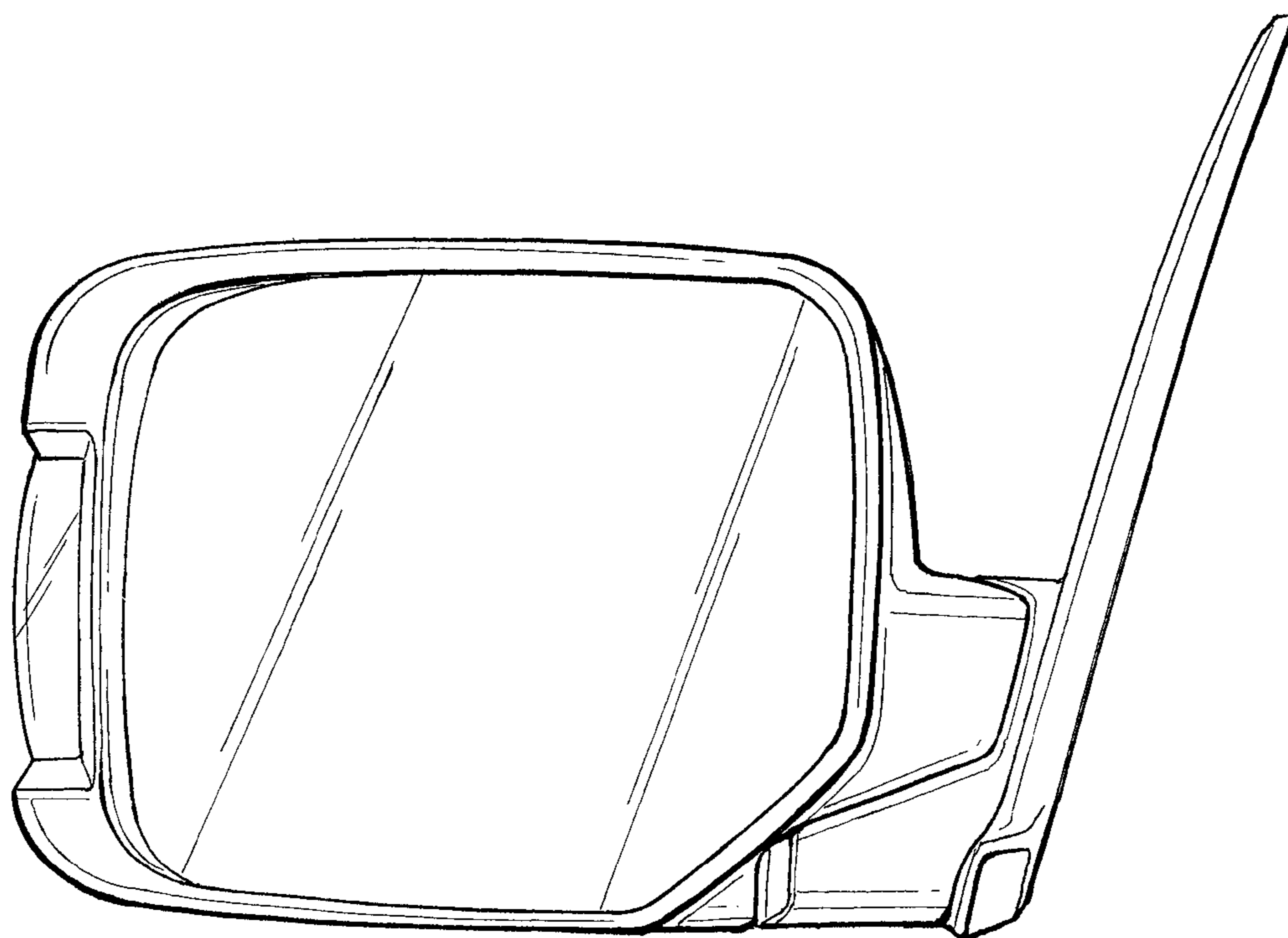


FIG. 2

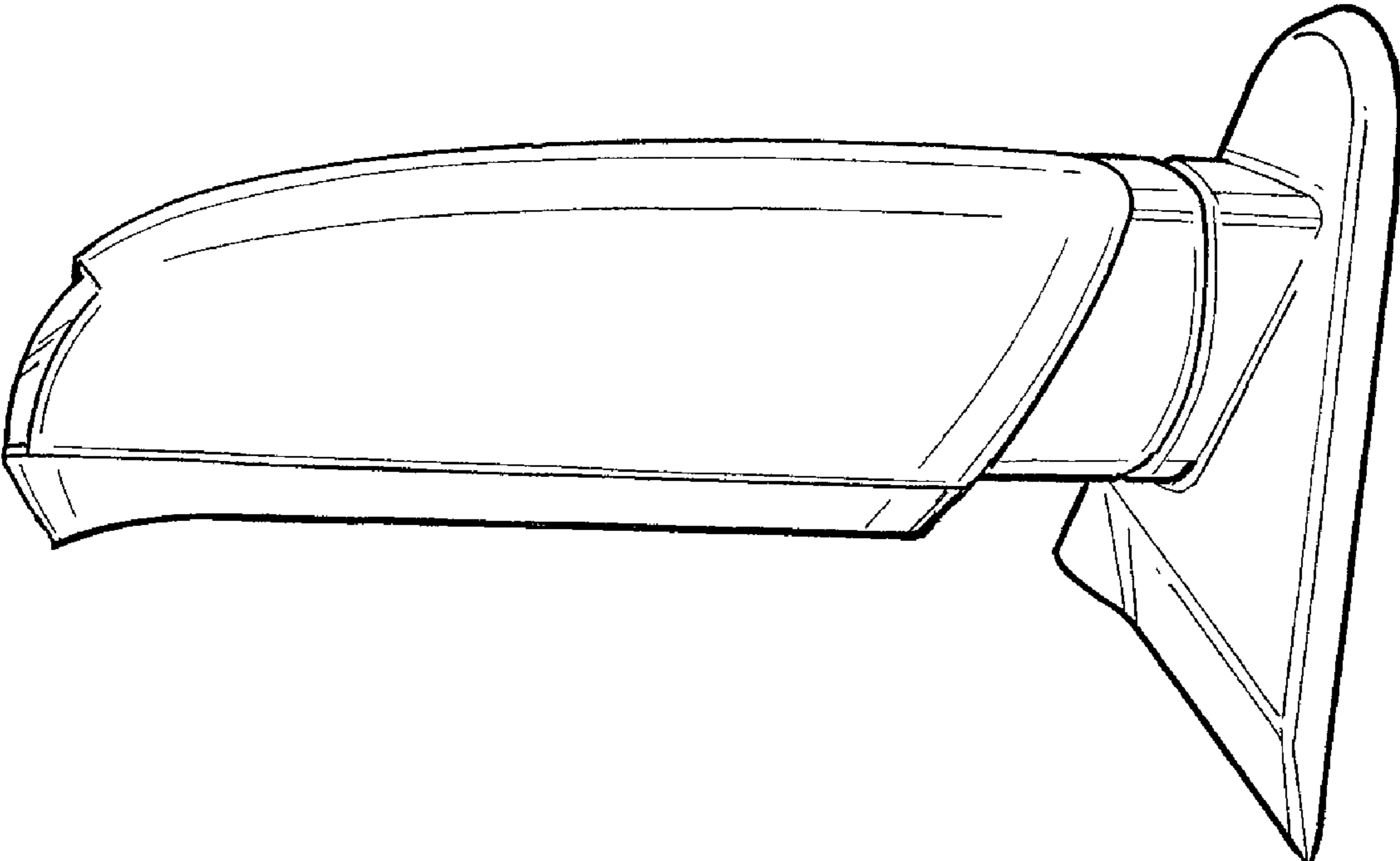


FIG. 3

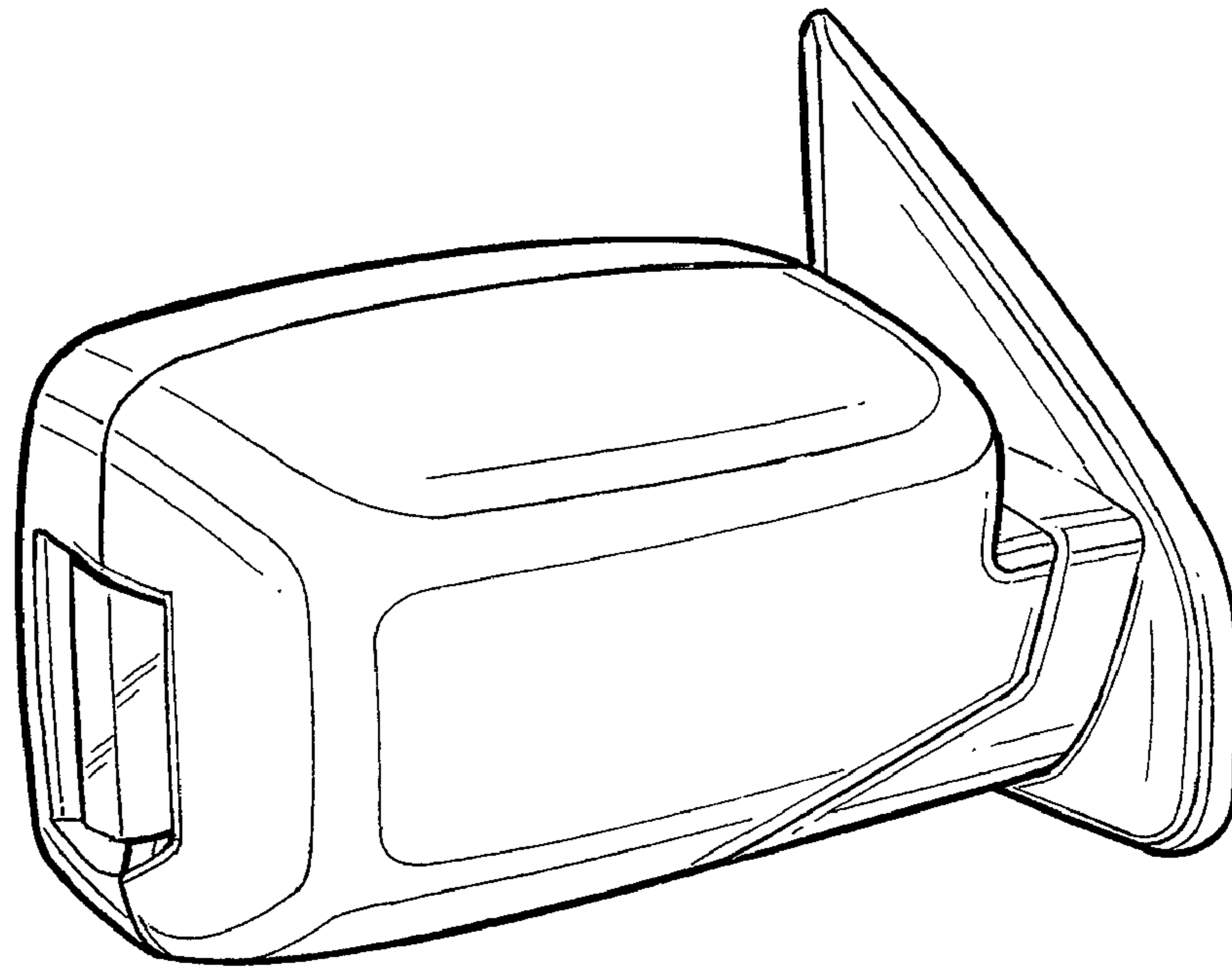


FIG. 4

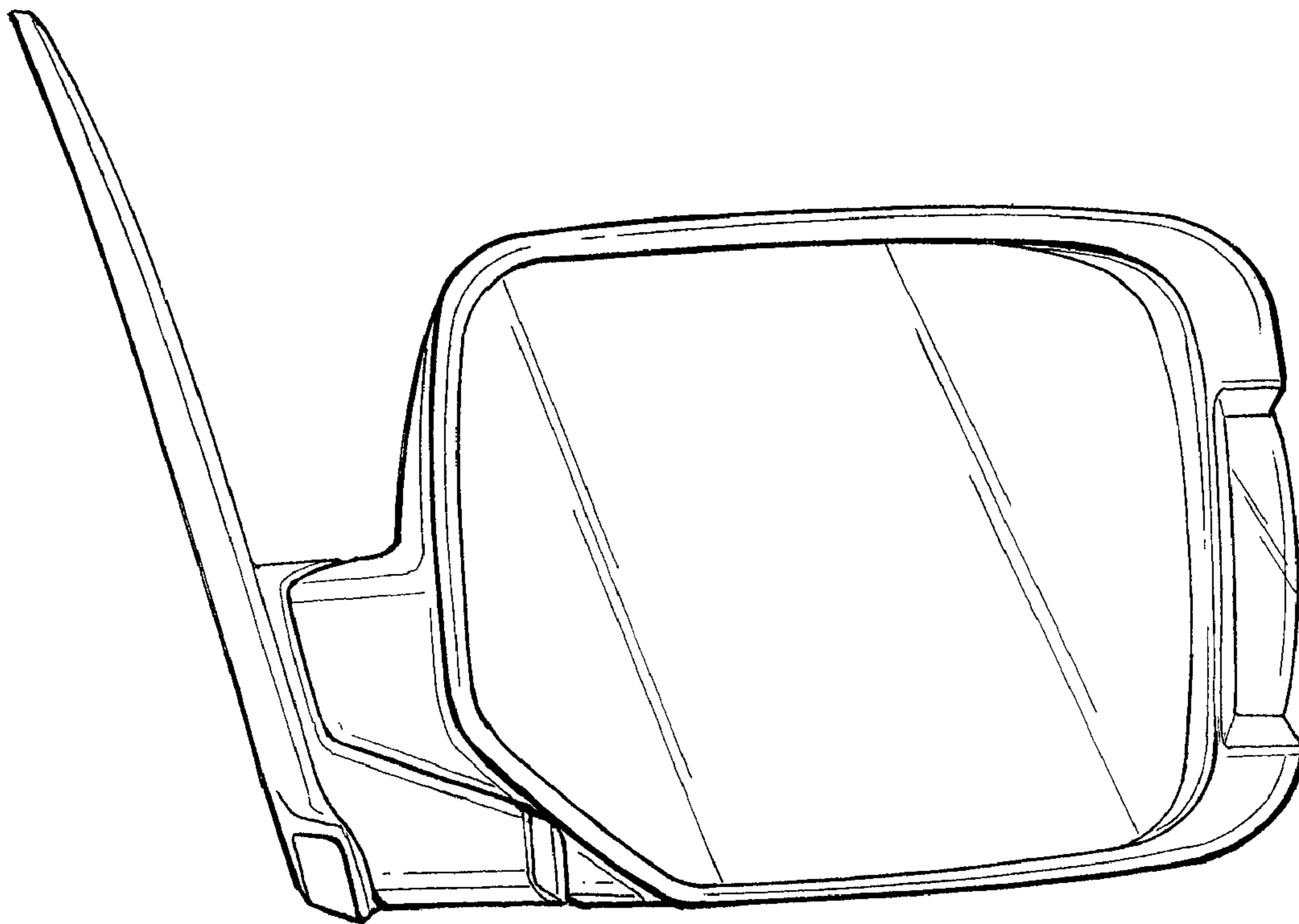


FIG. 5

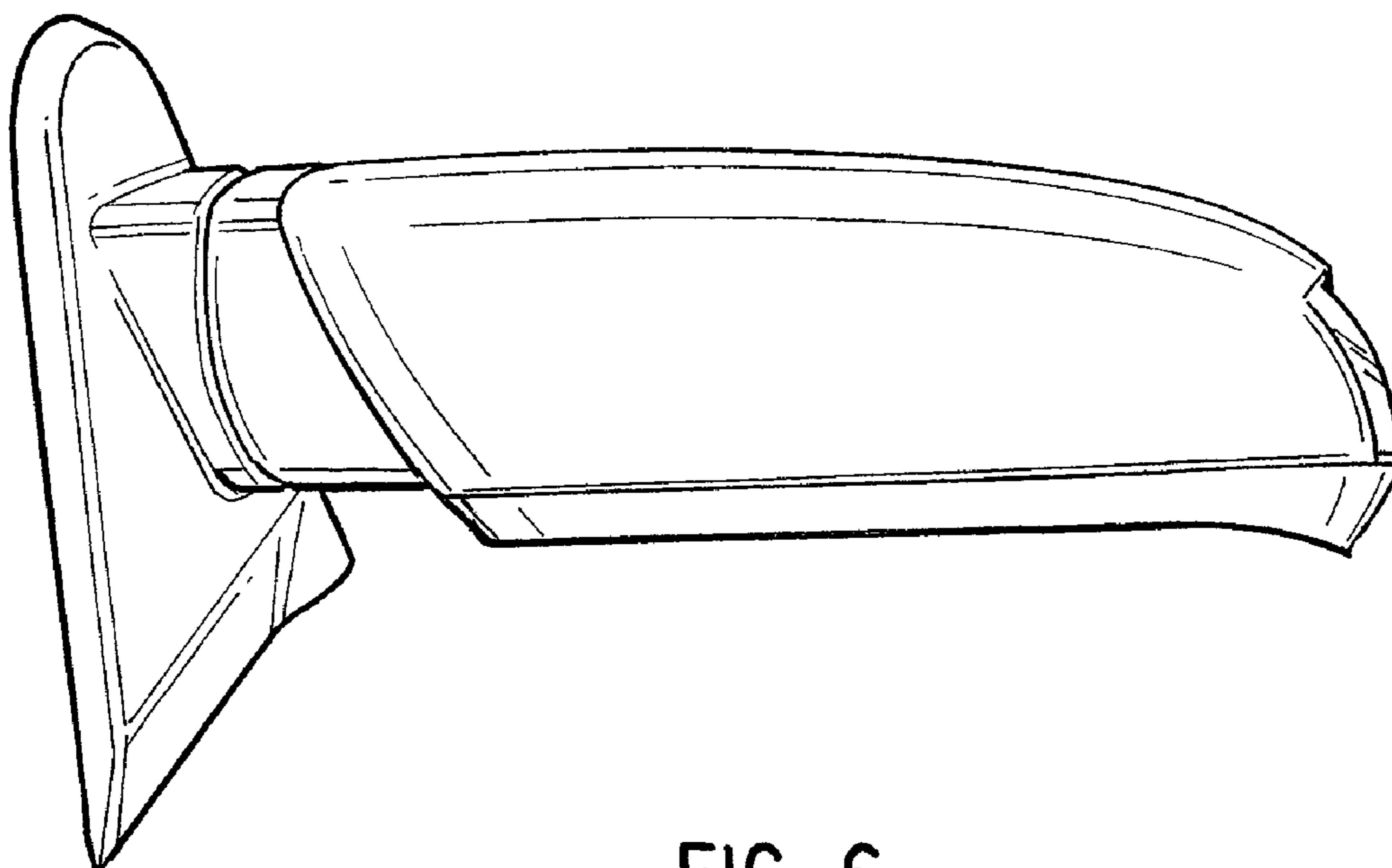


FIG. 6