

US00D577634S

(12) **United States Design Patent**
Lundh

(10) **Patent No.:** **US D577,634 S**

(45) **Date of Patent:** **** Sep. 30, 2008**

(54) **BABY CARRIAGE FASTENING DEVICE**

(76) Inventor: **Jöran Lundh**, Särlavägen 16, S-554, 66
Jönköping (SE)

(**) Term: **14 Years**

(21) Appl. No.: **29/280,861**

(22) Filed: **Jun. 8, 2007**

(30) **Foreign Application Priority Data**

Dec. 10, 2006 (EM) 000634720

(51) **LOC (8) Cl.** **12-12**

(52) **U.S. Cl.** **D12/133; D8/382**

(58) **Field of Classification Search** D12/128-133,
D12/114, 115, 119; 280/62, 647-650, 29,
280/200, 47.38, 250.1, 259, 642, 658; 297/DIG. 4;
296/65.03, 65.04; 224/409; 135/65-67,
135/74, 96; 180/208; 267/5; D21/686, 687,
D21/688, 663; D8/300, 303, 307, 331, 333,
D8/349, 367, 382, 394, 395

See application file for complete search history.

(56) **References Cited**

U.S. PATENT DOCUMENTS

D235,731 S * 7/1975 Habuda D8/394
D254,422 S * 3/1980 Fredriksson D8/367
D299,240 S * 1/1989 Henningsen D15/28
D300,903 S * 5/1989 Donalies D8/383
D388,750 S * 1/1998 Williams D12/133

D389,983 S * 1/1998 Maness D34/35
D407,301 S * 3/1999 Donalies D8/382
D452,665 S * 1/2002 Yeh et al. D12/133
D459,855 S * 7/2002 Fujikawa et al. D34/35
D463,761 S * 10/2002 Lin D12/129
D485,487 S * 1/2004 Bryant et al. D8/382
D495,629 S * 9/2004 Chelgren D12/133
D556,550 S * 12/2007 Hung D8/367

* cited by examiner

Primary Examiner—Charles A. Rademaker

Assistant Examiner—Charles D Hanson

(74) *Attorney, Agent, or Firm*—Polster, Lieder, Woodruff &
Lucchesi, L.C.

(57) **CLAIM**

The ornamental design for baby carriage fastening device, as shown and described.

DESCRIPTION

FIG. 1 is a perspective view of a baby carriage fastening device showing my new design;

FIG. 2 is a right side view thereof;

FIG. 3 is a left side view thereof

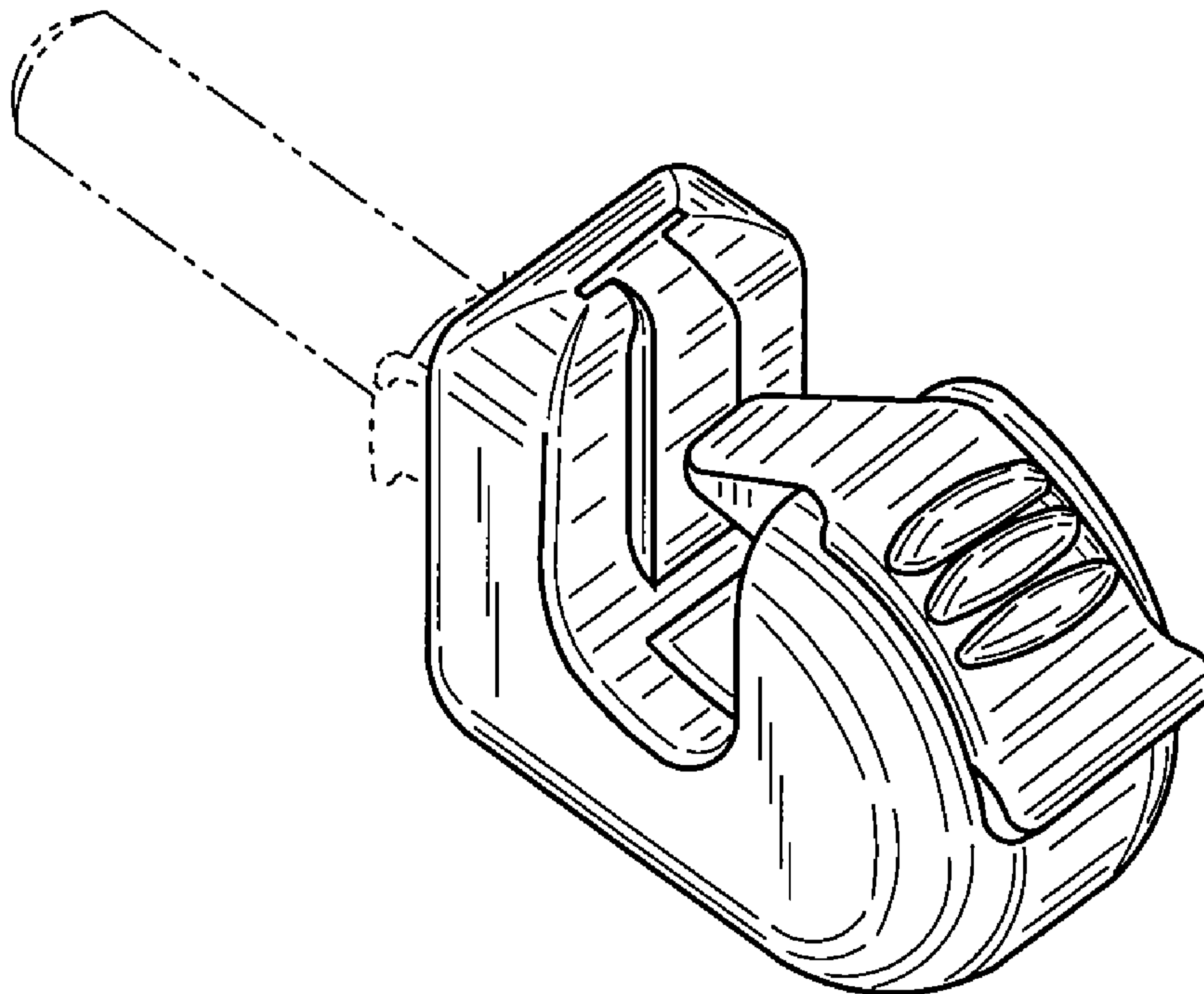
FIG. 4 is a bottom view thereof;

FIG. 5 is a top view thereof;

FIG. 6 is a front view thereof; and,

FIG. 7 is a rear view thereof.

1 Claim, 2 Drawing Sheets



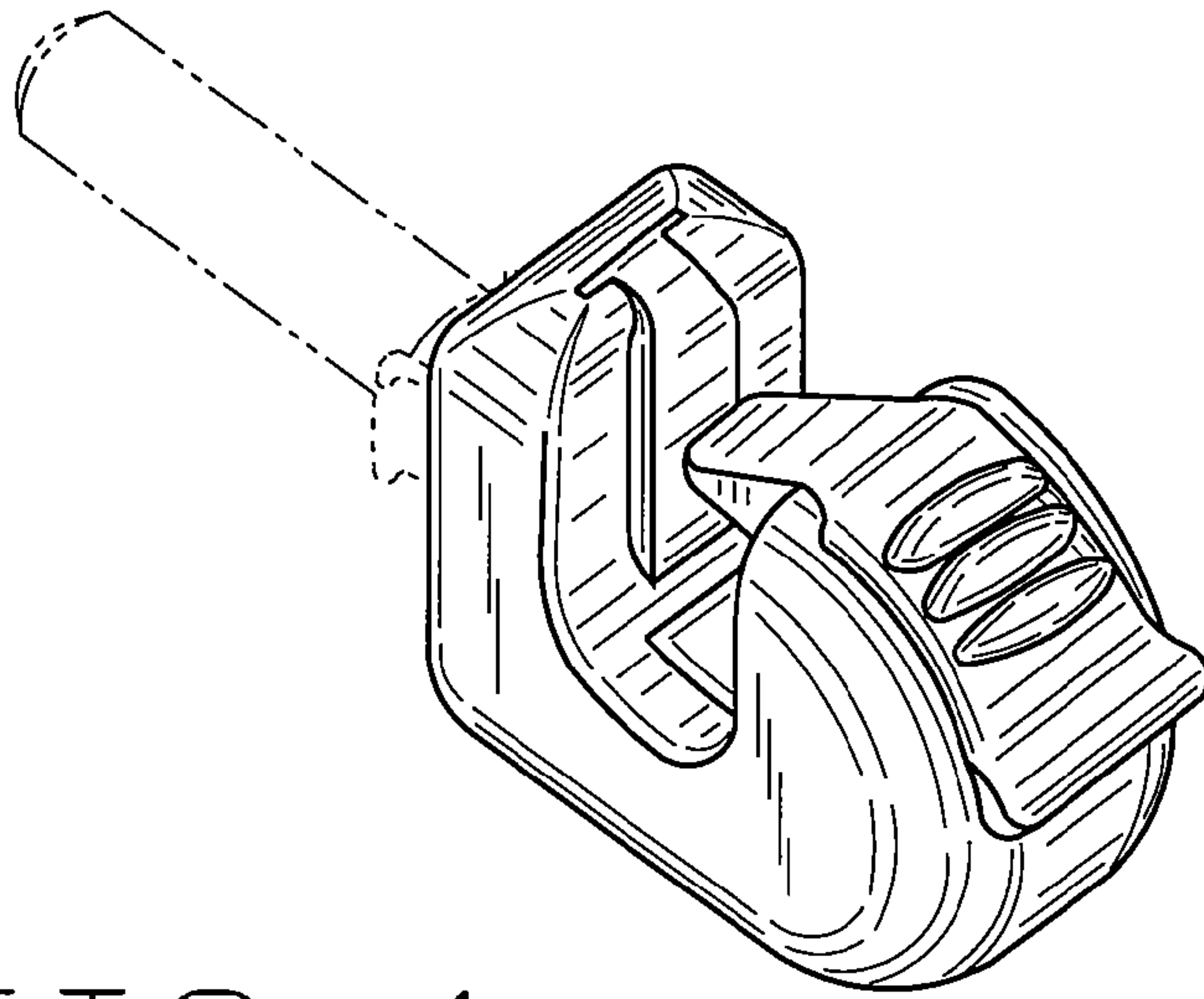


FIG. 1

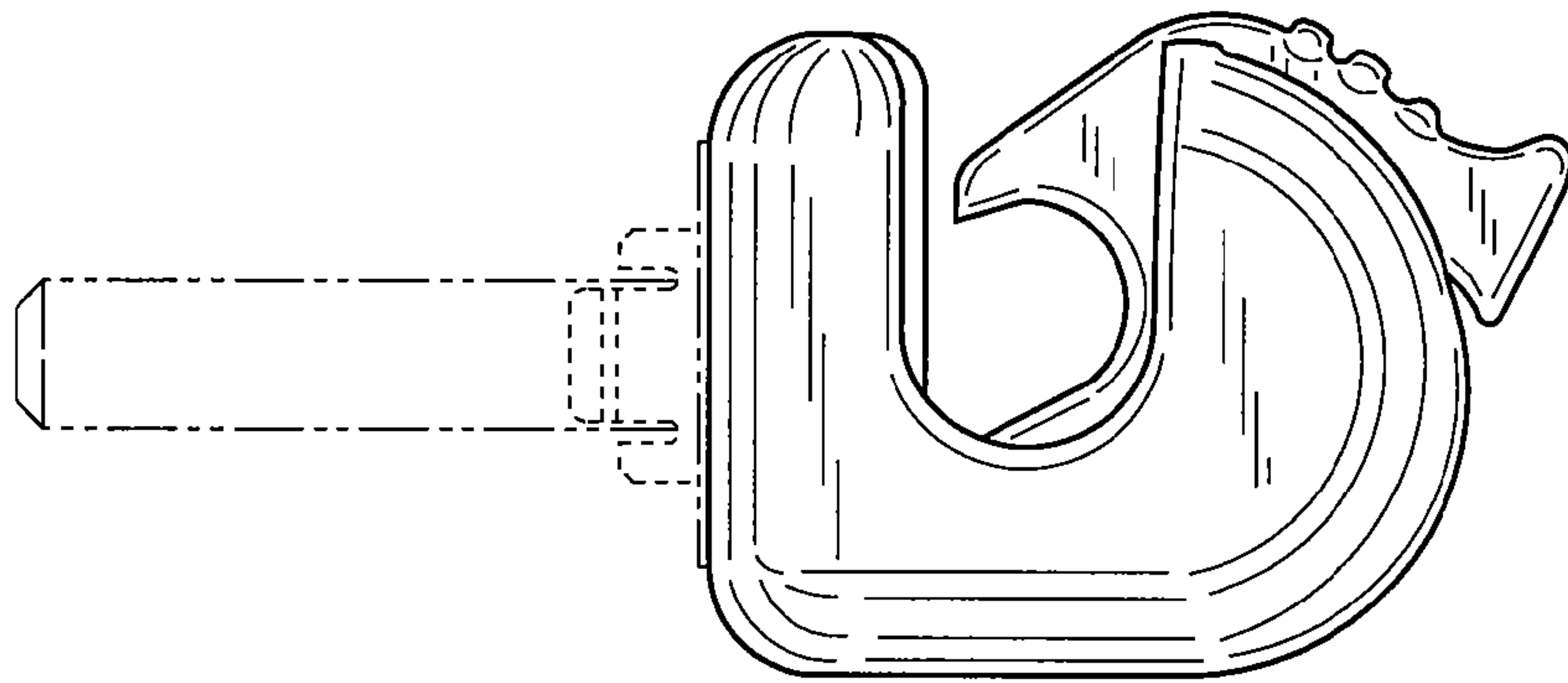


FIG. 2

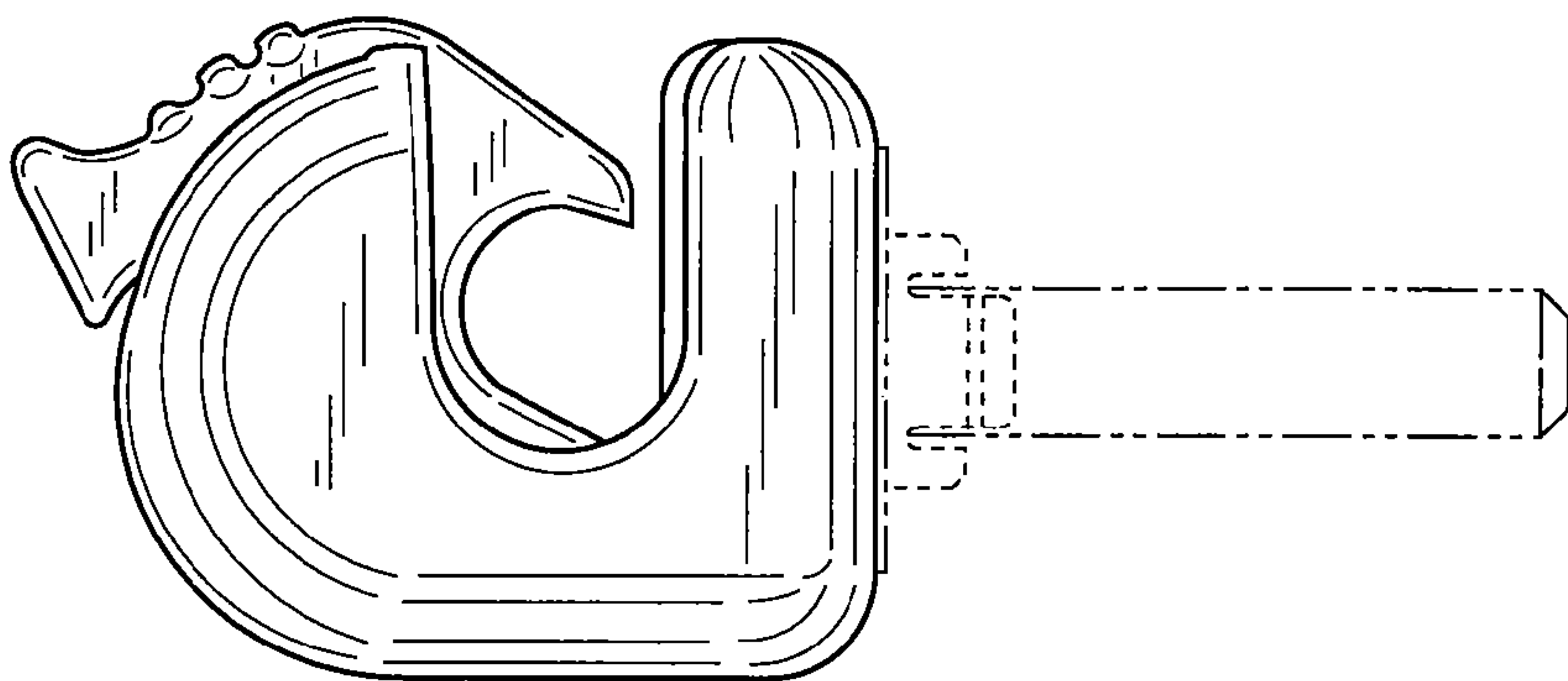


FIG. 3

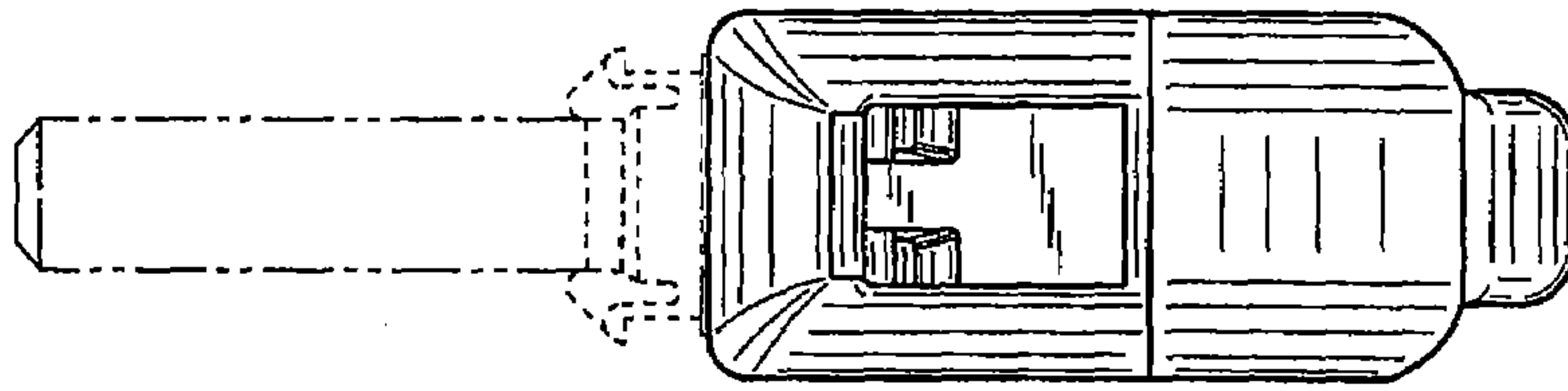


FIG. 4

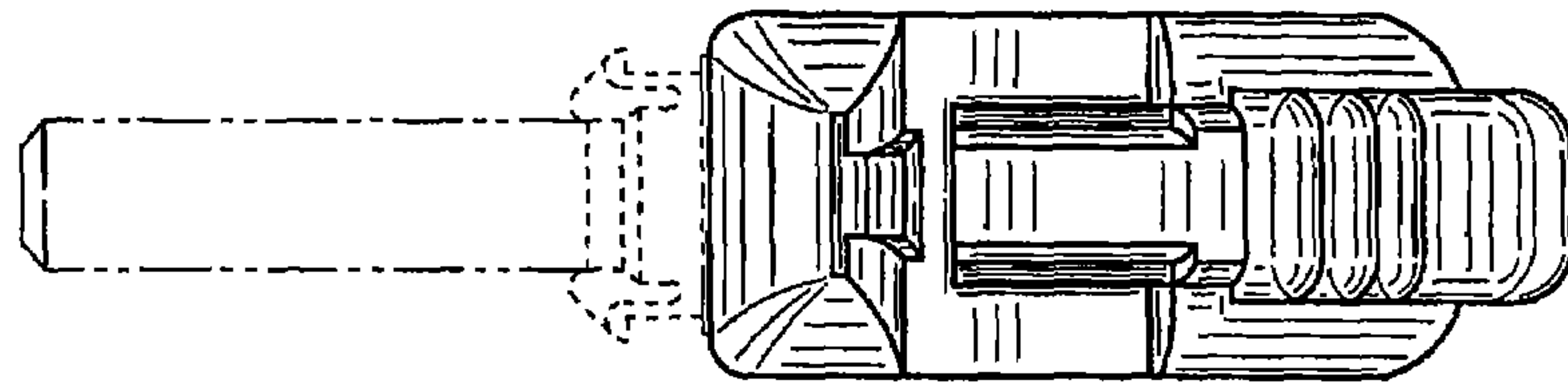


FIG. 5

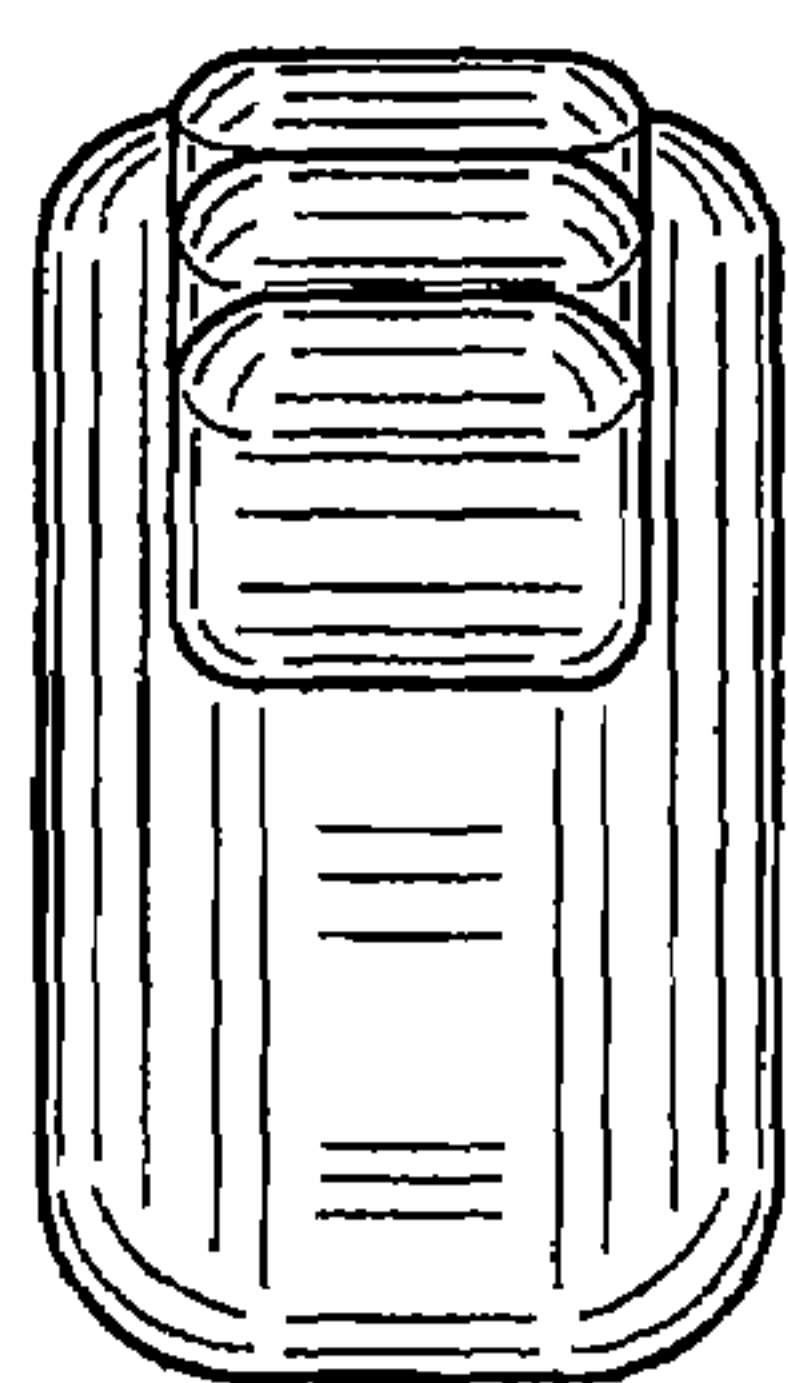


FIG. 6

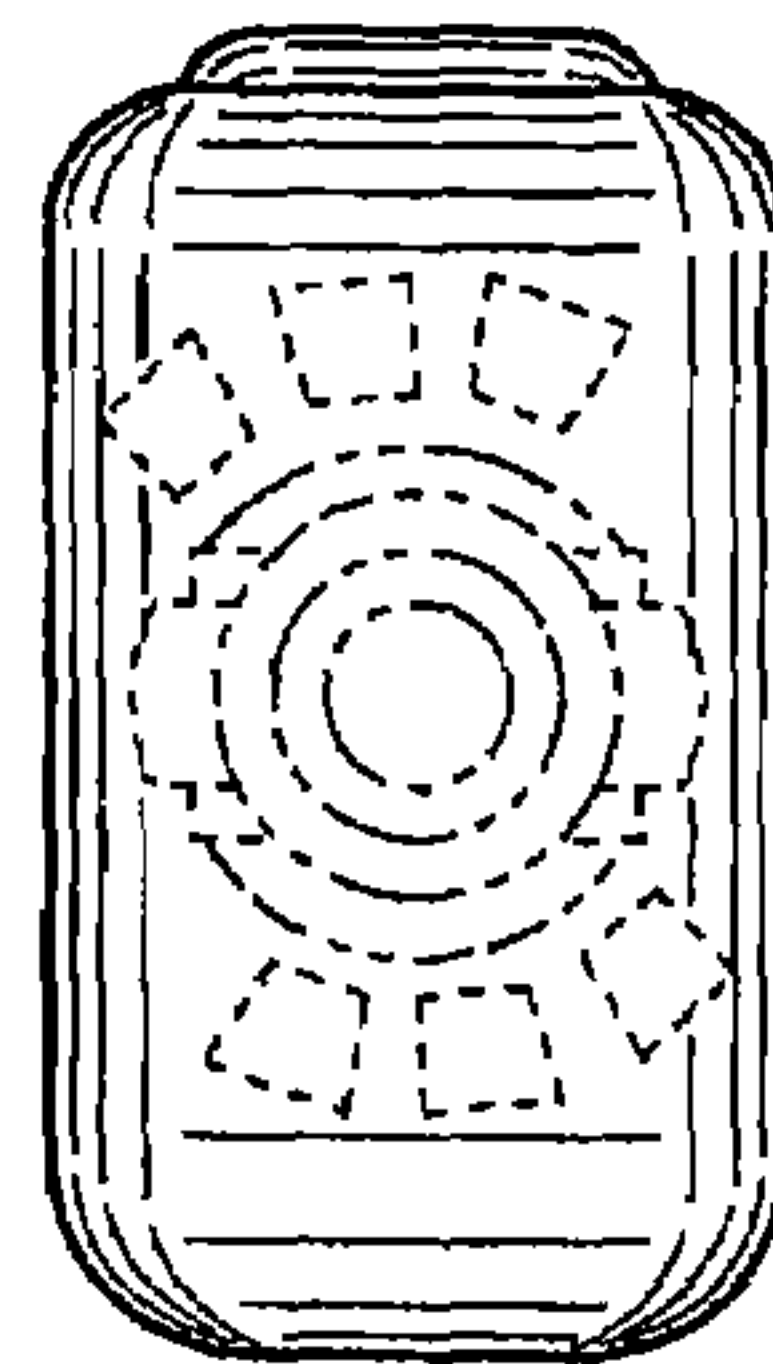


FIG. 7