



US00D577630S

(12) **United States Design Patent**
Schmidt

(10) **Patent No.:** **US D577,630 S**

(45) **Date of Patent:** **** Sep. 30, 2008**

(54) **PLANT POT**

(75) Inventor: **Guido Schmidt**, Dinklage (DE)

(73) Assignee: **Poeppelmann Holding GmbH & Co. KG**, Lohne (DE)

(**) Term: **14 Years**

(21) Appl. No.: **29/305,031**

(22) Filed: **Mar. 12, 2008**

(30) **Foreign Application Priority Data**

Sep. 19, 2007 (EP) 00 793 054

(51) **LOC (8) Cl.** **11-02**

(52) **U.S. Cl.** **D11/152**

(58) **Field of Classification Search** D6/403-405,
D6/556; D11/143-156; D19/77, 81, 84;
D25/100; D26/9; D30/108, 109, 114, 119;
47/32.7, 33, 39, 41.01, 41.11-41.15, 44-47,
47/65.5, 65.9, 66.1, 66.2, 66.6, 66.7, 67-70
See application file for complete search history.

(56) **References Cited**

U.S. PATENT DOCUMENTS

D243,031 S *	1/1977	Anderson	D11/152
D243,357 S *	2/1977	Gross	D11/152
5,459,960 A *	10/1995	Manlove	47/65.5
6,339,899 B1 *	1/2002	Lehmann	47/65.5
D483,690 S *	12/2003	Sieverding	D11/152
D502,669 S *	3/2005	Smith et al.	D11/155
D531,082 S *	10/2006	Belokin	D11/143

D557,174 S *	12/2007	Aoyama	D11/152
D564,939 S *	3/2008	Fan	D11/152
D569,763 S *	5/2008	Schmidt	D11/152
2006/0037241 A1 *	2/2006	Orschulik	47/65.5

* cited by examiner

Primary Examiner—Caron D. Veynar

Assistant Examiner—Garth Rademaker

(74) *Attorney, Agent, or Firm*—Porter, Wright, Morris & Arthur, LLP

(57) **CLAIM**

The ornamental design for a plant pot, as shown and described.

DESCRIPTION

FIG. 1 is a top perspective view of a plant pot according to my new design;

FIG. 2 is a bottom perspective view thereof;

FIG. 3 is a right side elevational view;

FIG. 4 is a top plan view thereof;

FIG. 5 is a bottom plan view thereof;

FIG. 6 is a top perspective view of a second embodiment thereof;

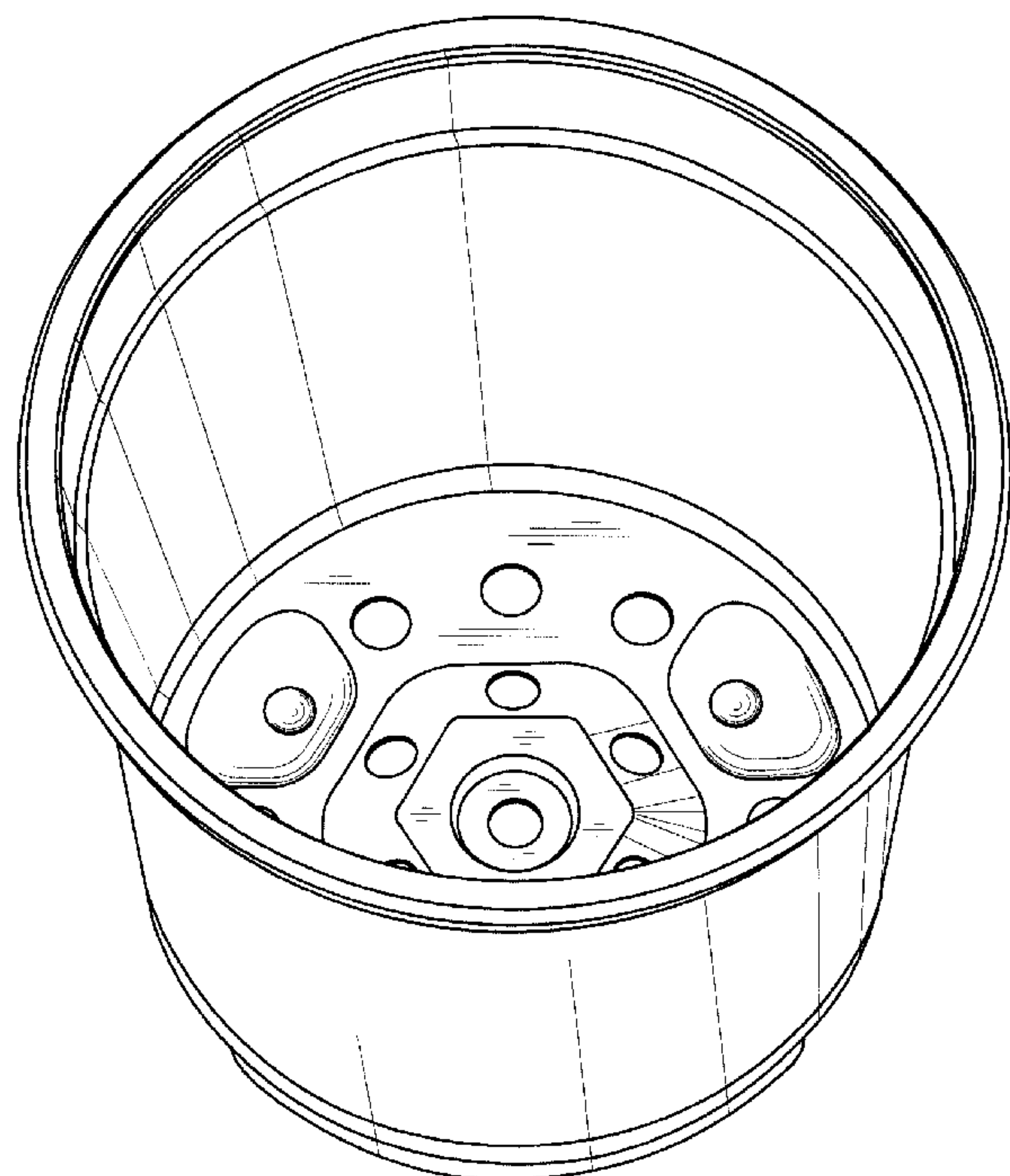
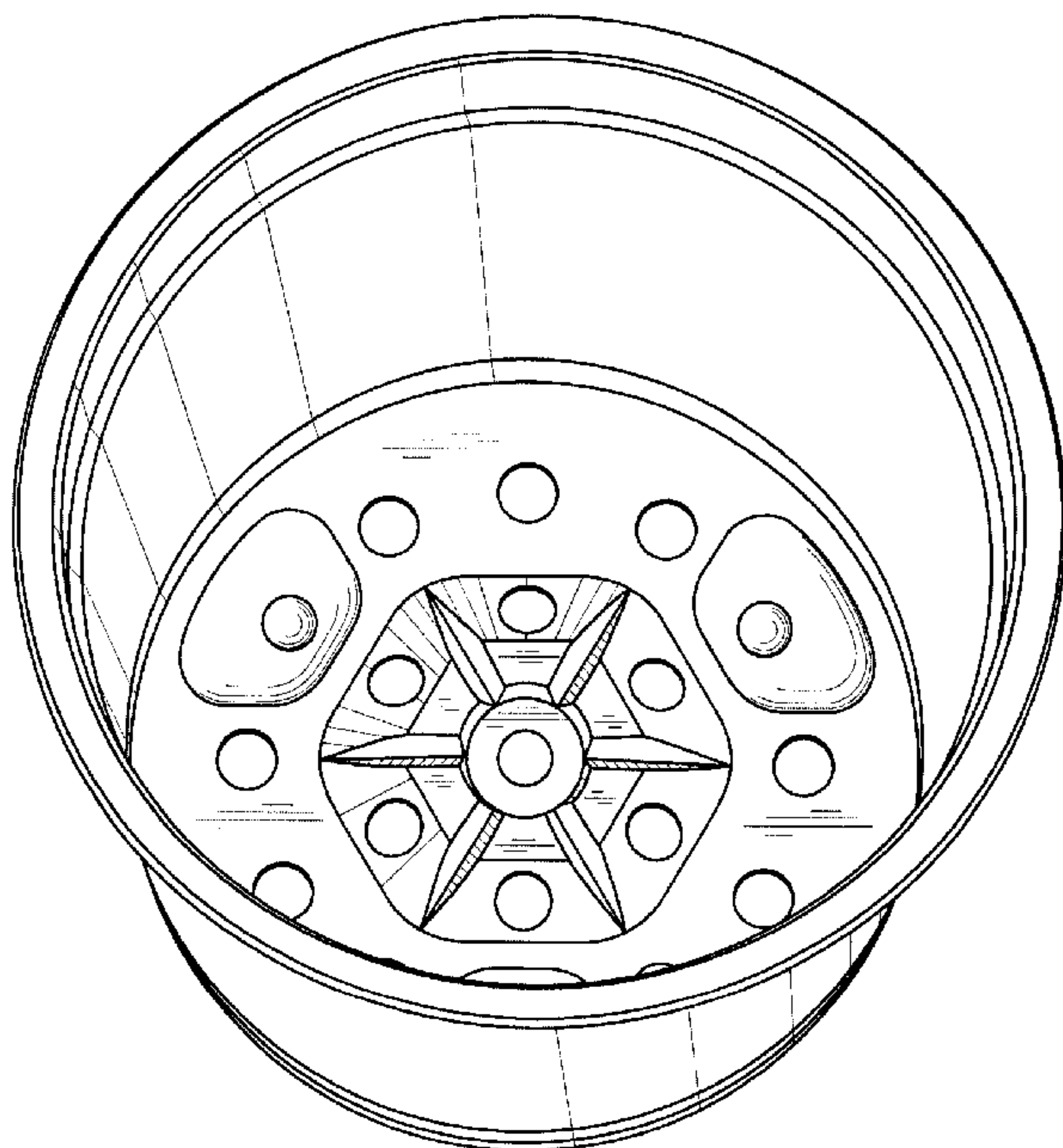
FIG. 7 is a bottom perspective view thereof;

FIG. 8 is a right side elevational view thereof;

FIG. 9 is a top plan view thereof; and,

FIG. 10 is a bottom plan view thereof.

1 Claim, 10 Drawing Sheets



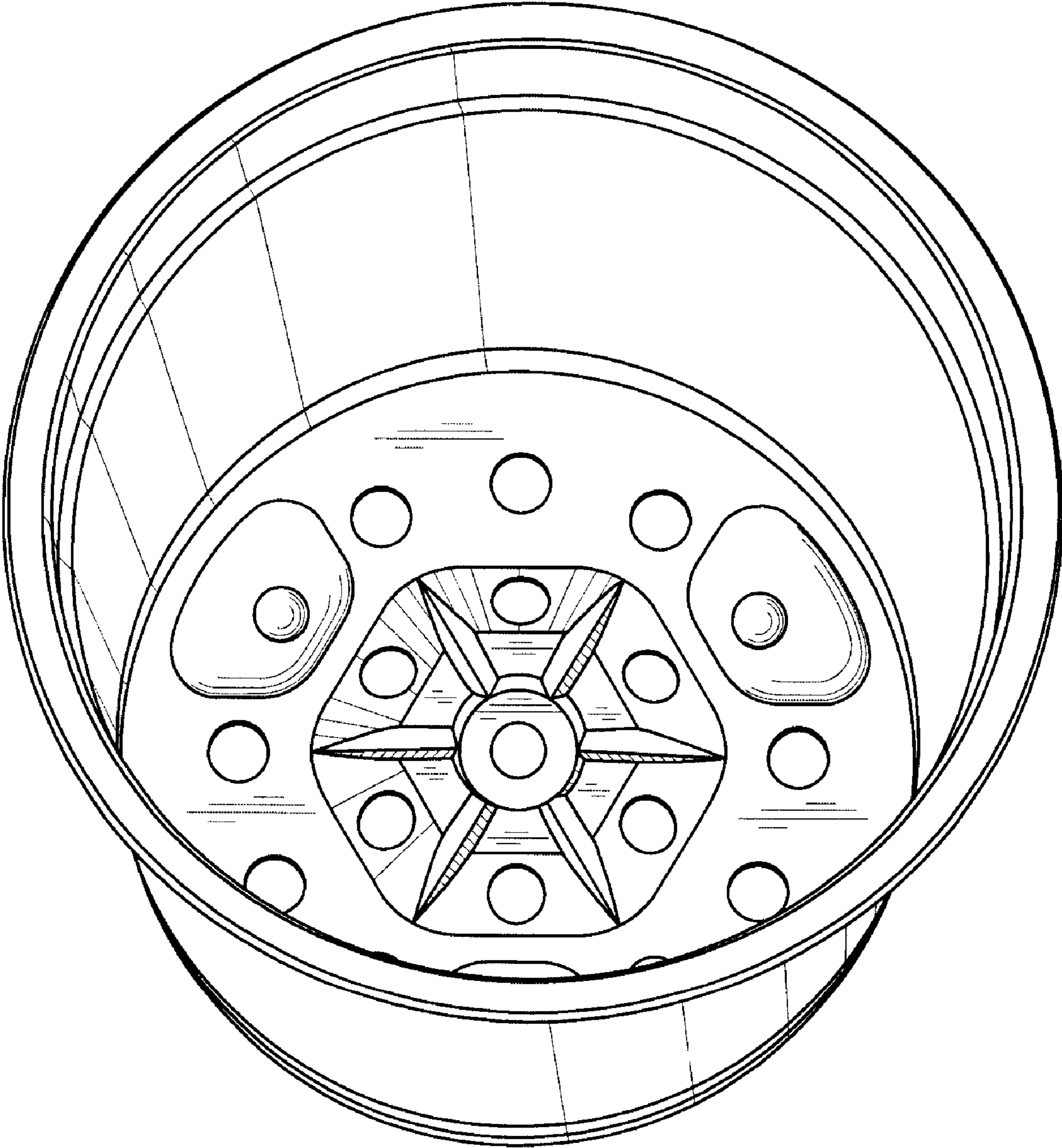


Fig. 1

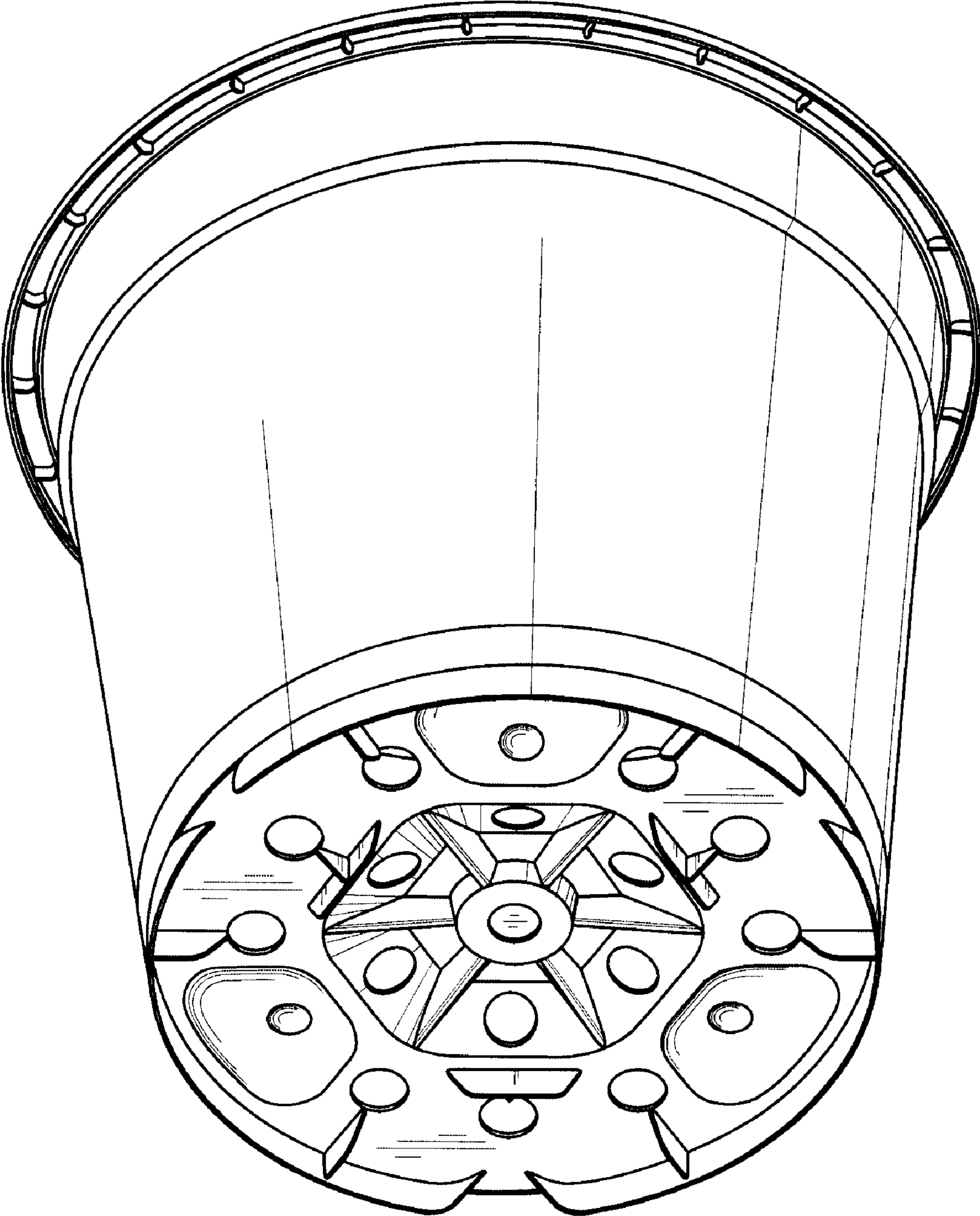


Fig. 2

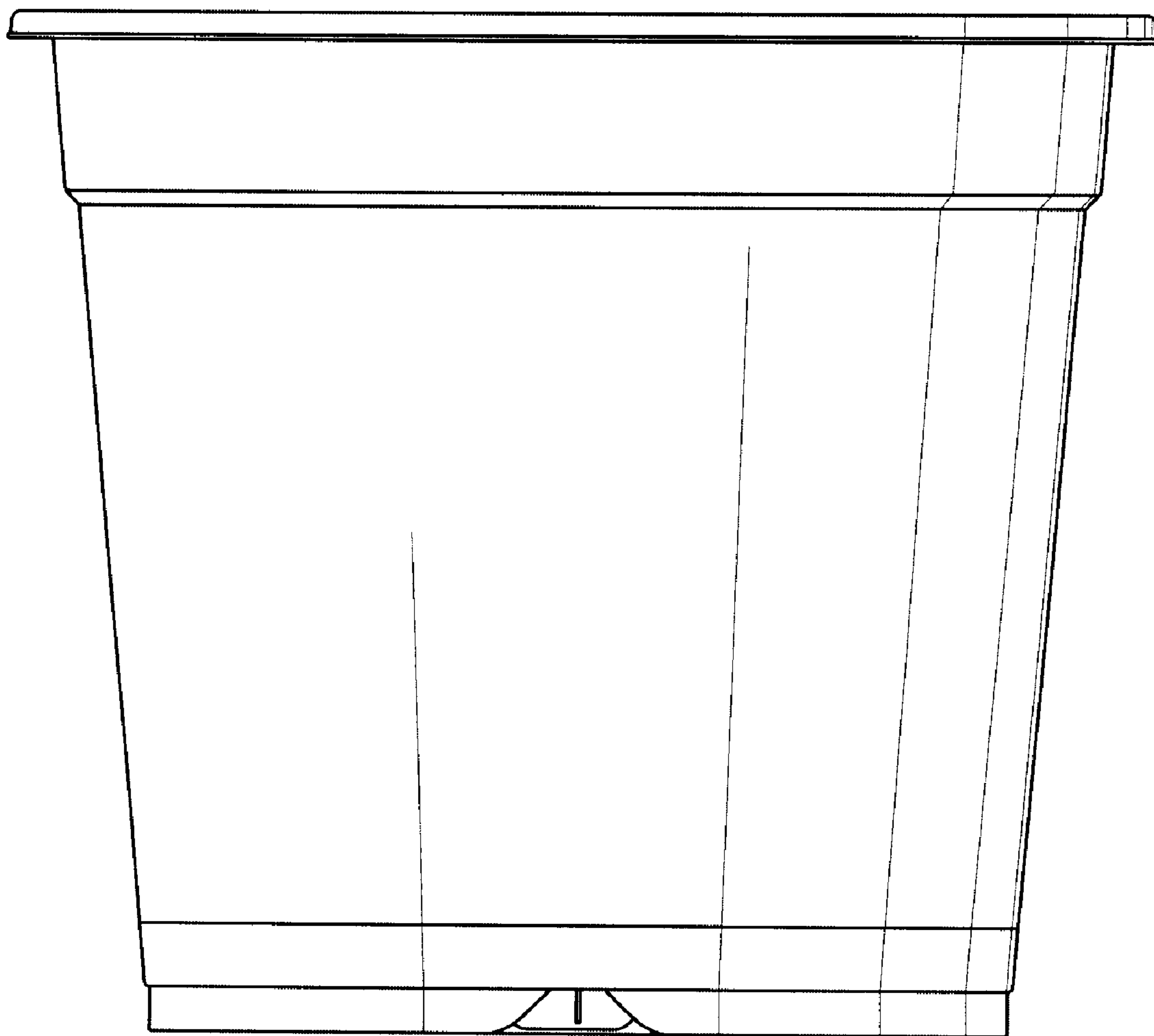


Fig. 3

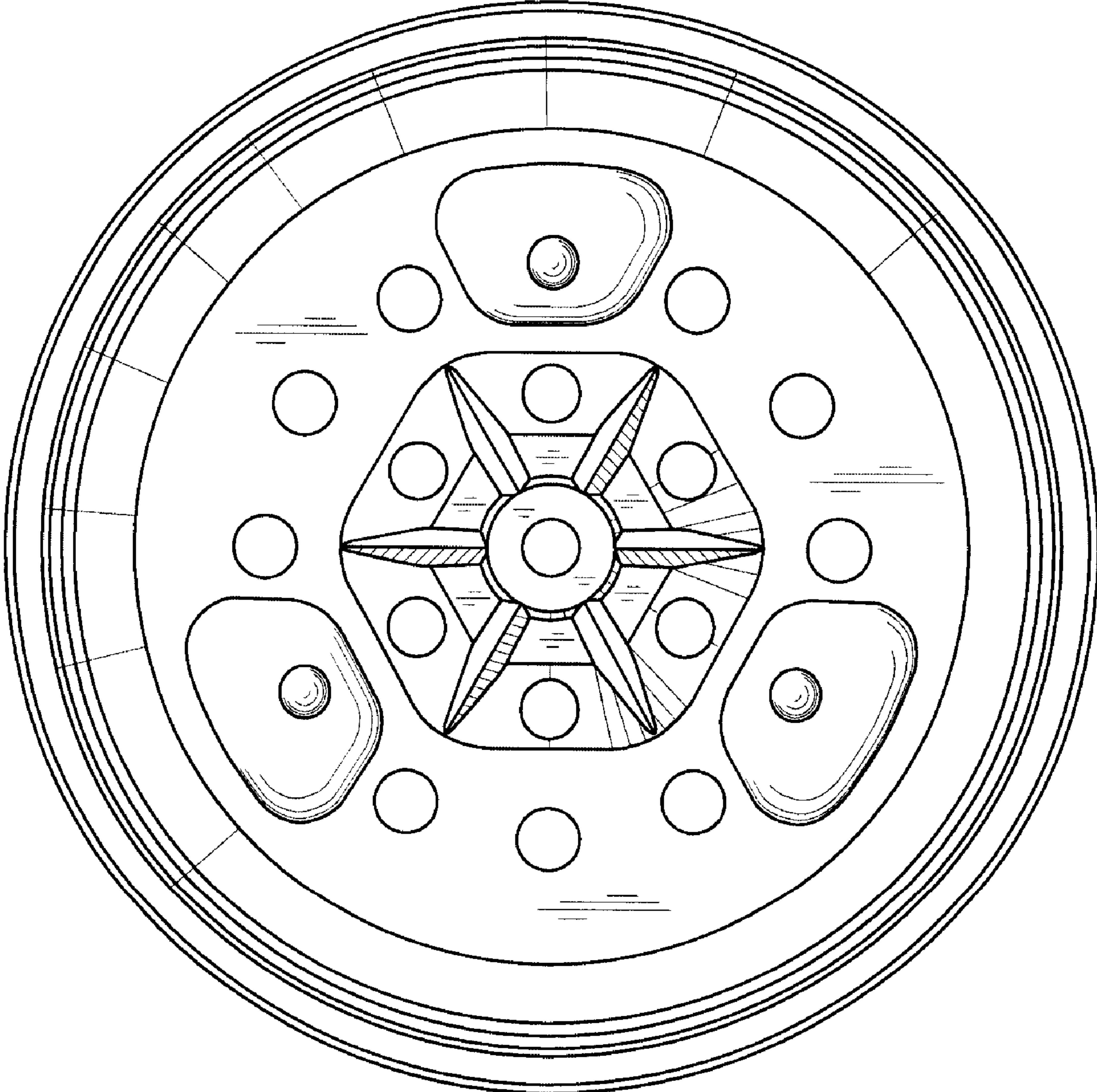


Fig. 4

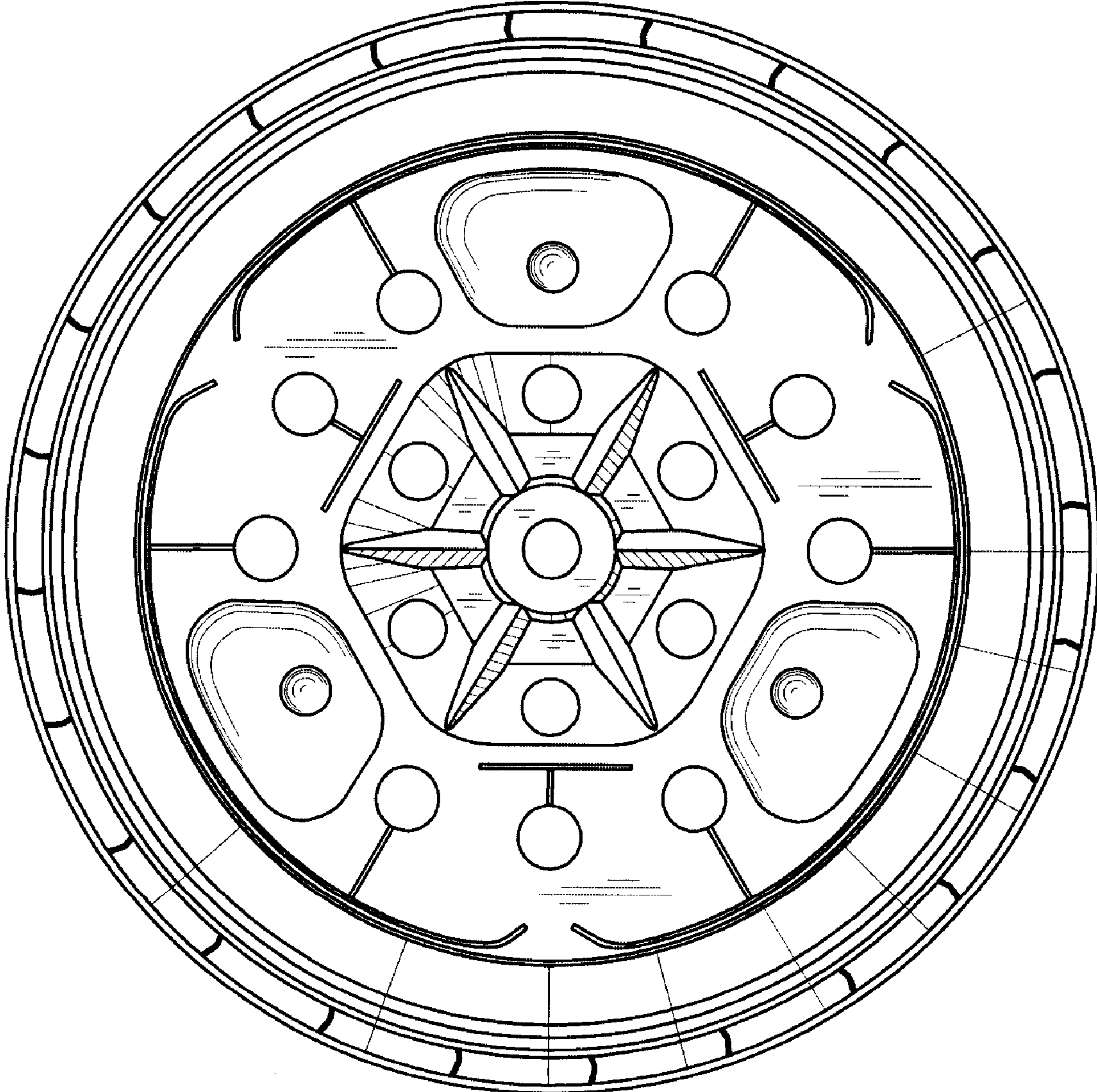


Fig. 5

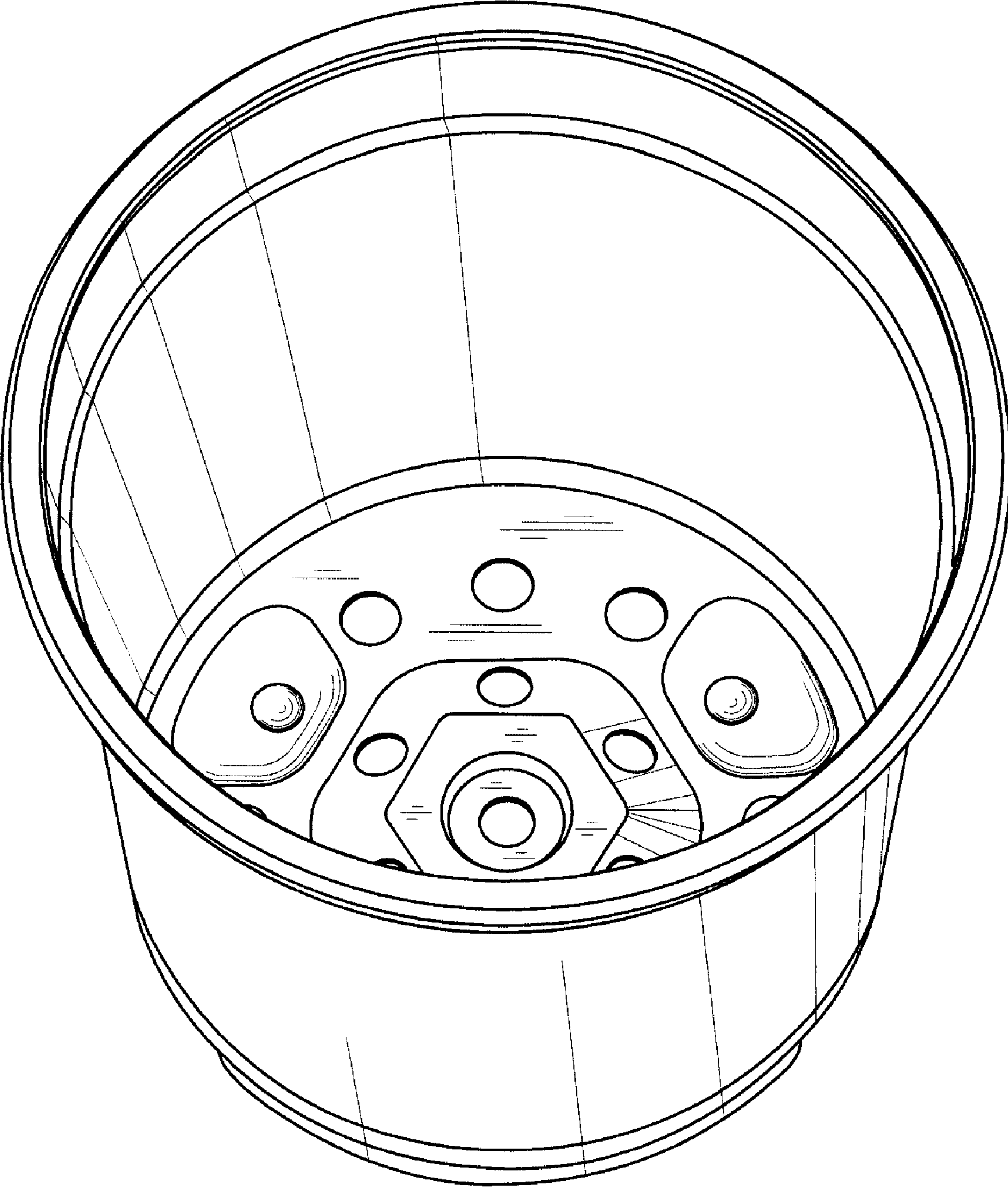


Fig. 6

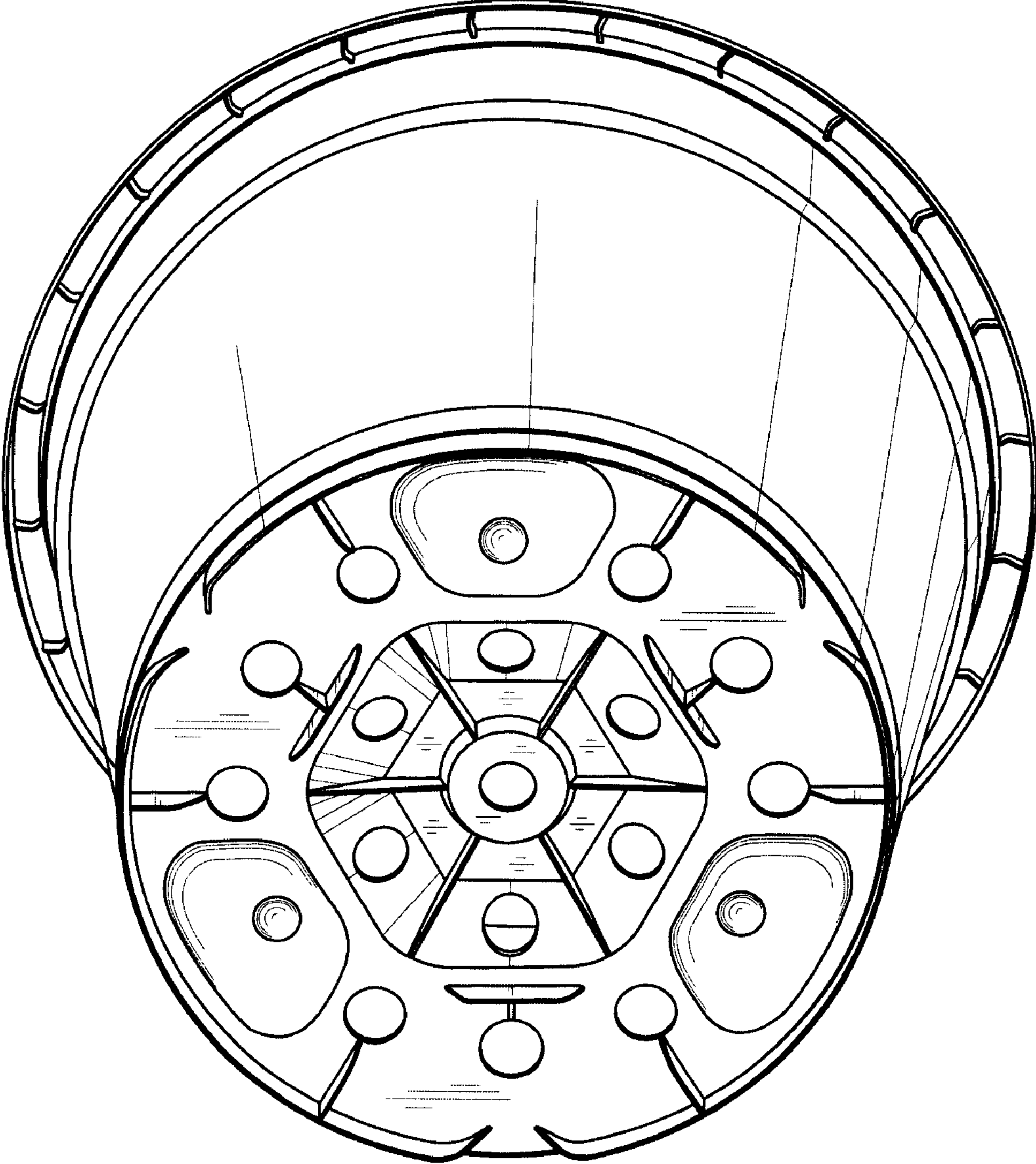


Fig. 7

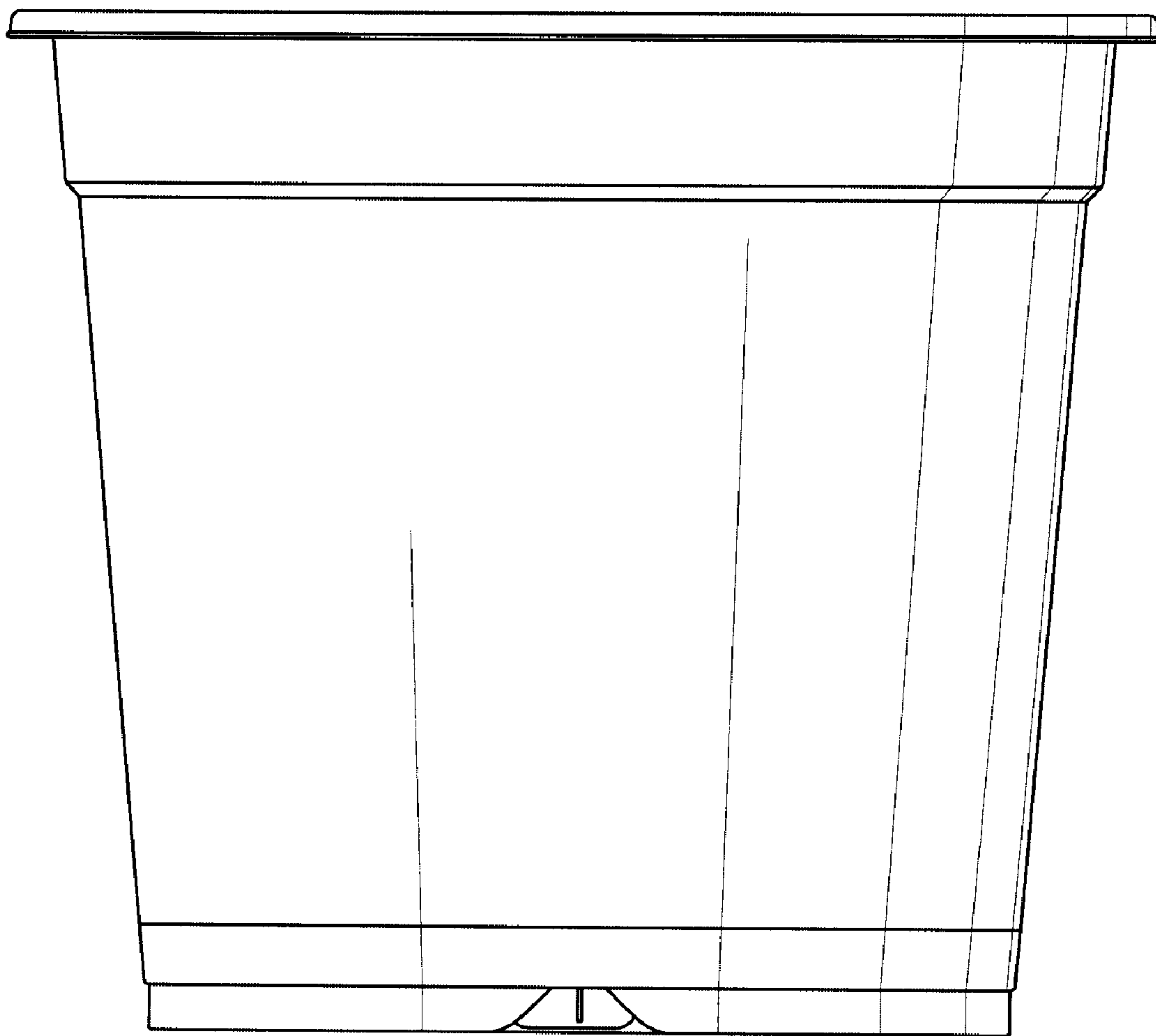


Fig. 8

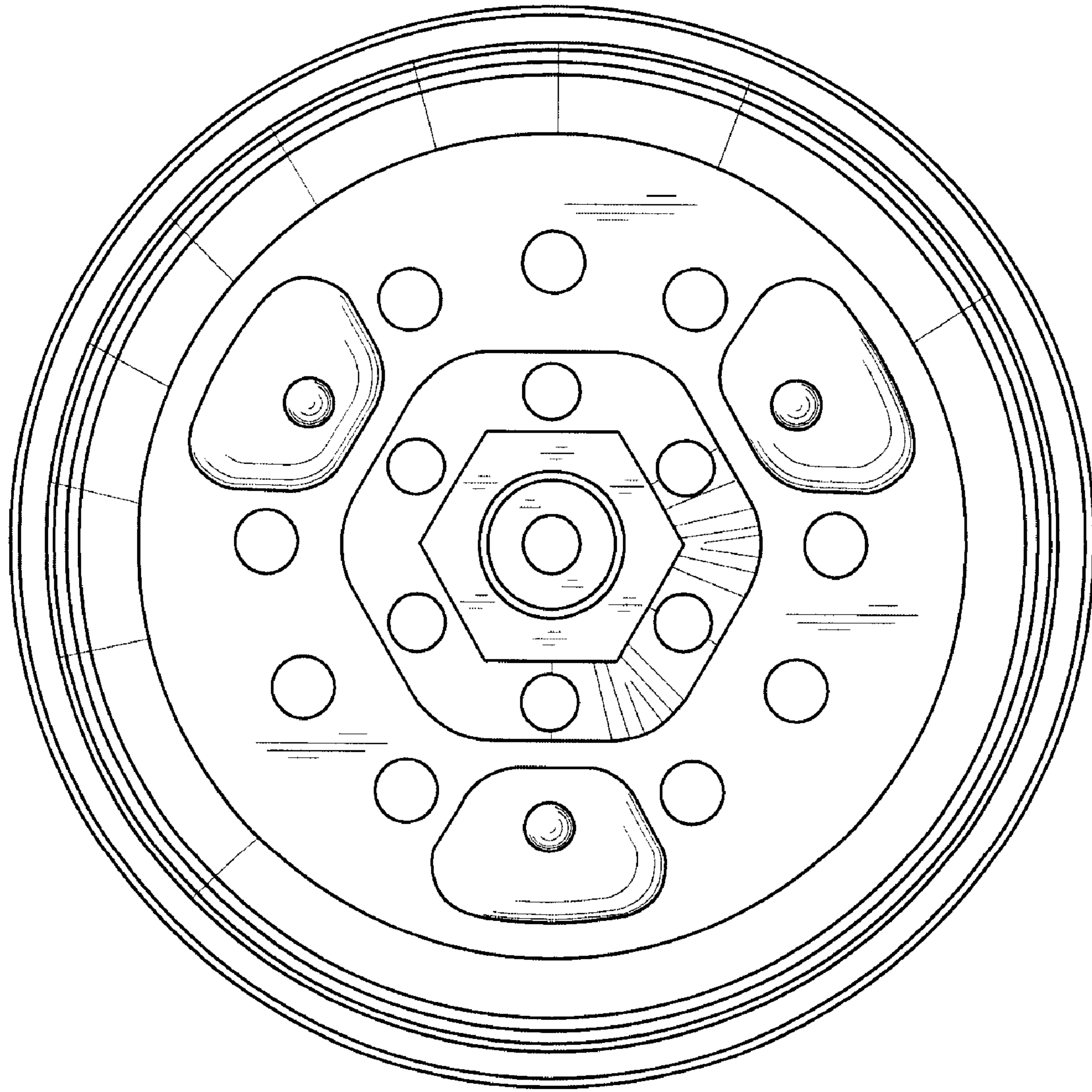


Fig. 9

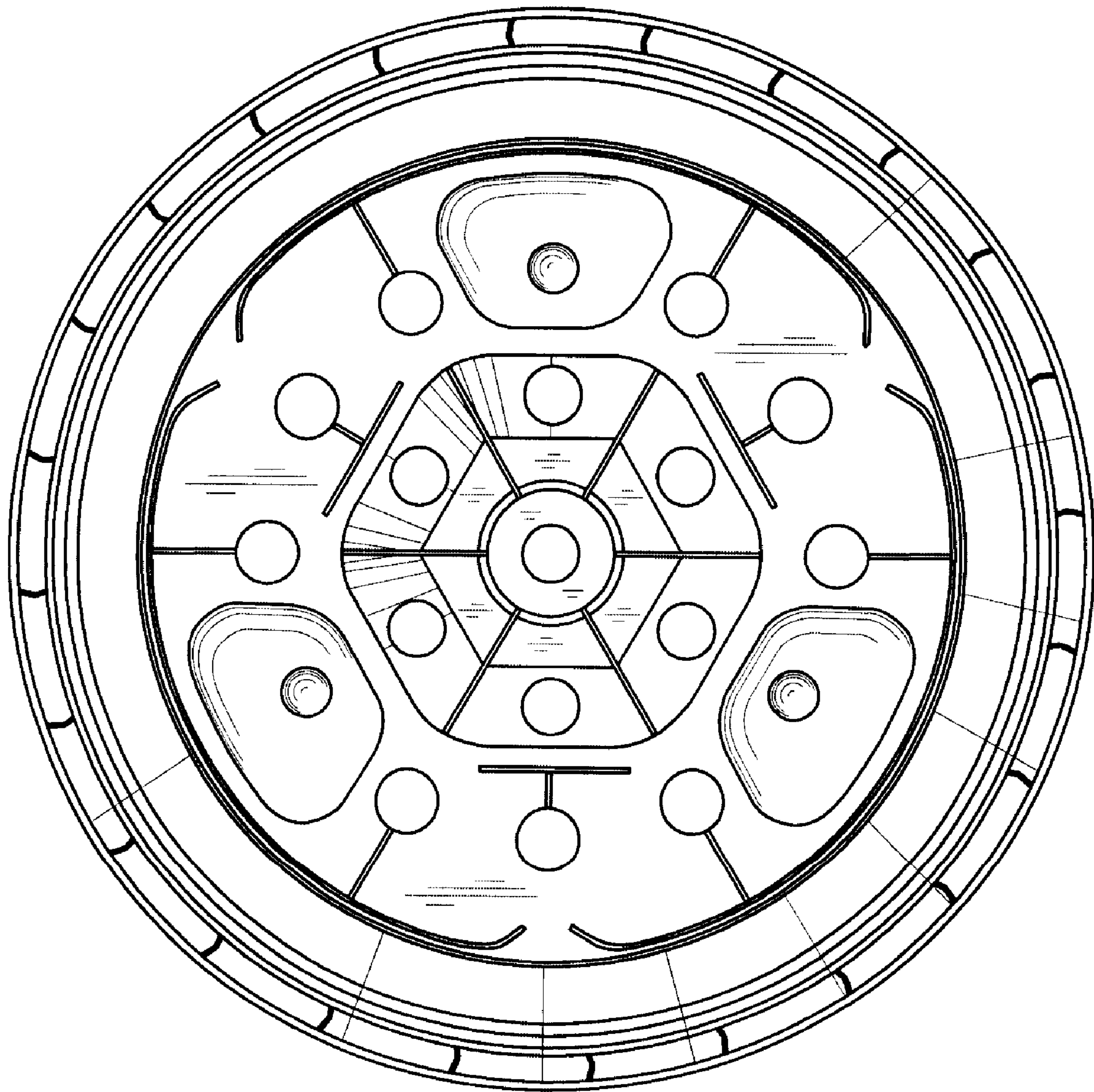


Fig. 10