



US00D577619S

(12) **United States Design Patent**
Rider

(10) **Patent No.:** **US D577,619 S**

(45) **Date of Patent:** **** Sep. 30, 2008**

(54) **ROOF PANEL GAUGE**

(76) Inventor: **Terry Rider**, 915 Highway 45, Corinth,
MS (US) 38834

(**) Term: **14 Years**

(21) Appl. No.: **29/296,920**

(22) Filed: **Oct. 31, 2007**

(51) **LOC (8) Cl.** **10-04**

(52) **U.S. Cl.** **D10/65; D10/64**

(58) **Field of Classification Search** **D10/64-65;**
33/501.05-501.45, 567, 567.1, 562-563;
52/465, 466, 468, 404, 519, 520, 542, 530,
52/395, 469

See application file for complete search history.

(56) **References Cited**

U.S. PATENT DOCUMENTS

D31,837 S *	11/1899	Thomas	D10/64
1,057,954 A *	4/1913	Poulon	33/501.3
1,279,645 A *	9/1918	Bryant	33/562
3,287,813 A *	11/1966	Lennon et al.	33/562
3,380,172 A *	4/1968	Baumbach	33/613
D251,059 S *	2/1979	Montell	D10/64
4,476,658 A *	10/1984	Johnstone	52/395
5,163,231 A *	11/1992	Craig	33/501.45

* cited by examiner

Primary Examiner—Antoine D Davis

(74) *Attorney, Agent, or Firm*—Wyatt, Tarrant & Combs, LLP

(57) **CLAIM**

I claim the ornamental design for a roof panel gauge, as shown and described.

DESCRIPTION

FIG. 1 is a perspective view showing a new design for a roof panel segment gauge

FIG. 2 is a front view thereof;

FIG. 3 is a top view thereof;

FIG. 4 is a bottom view thereof;

FIG. 5 is a rear view thereof;

FIG. 6 is a left side view thereof.

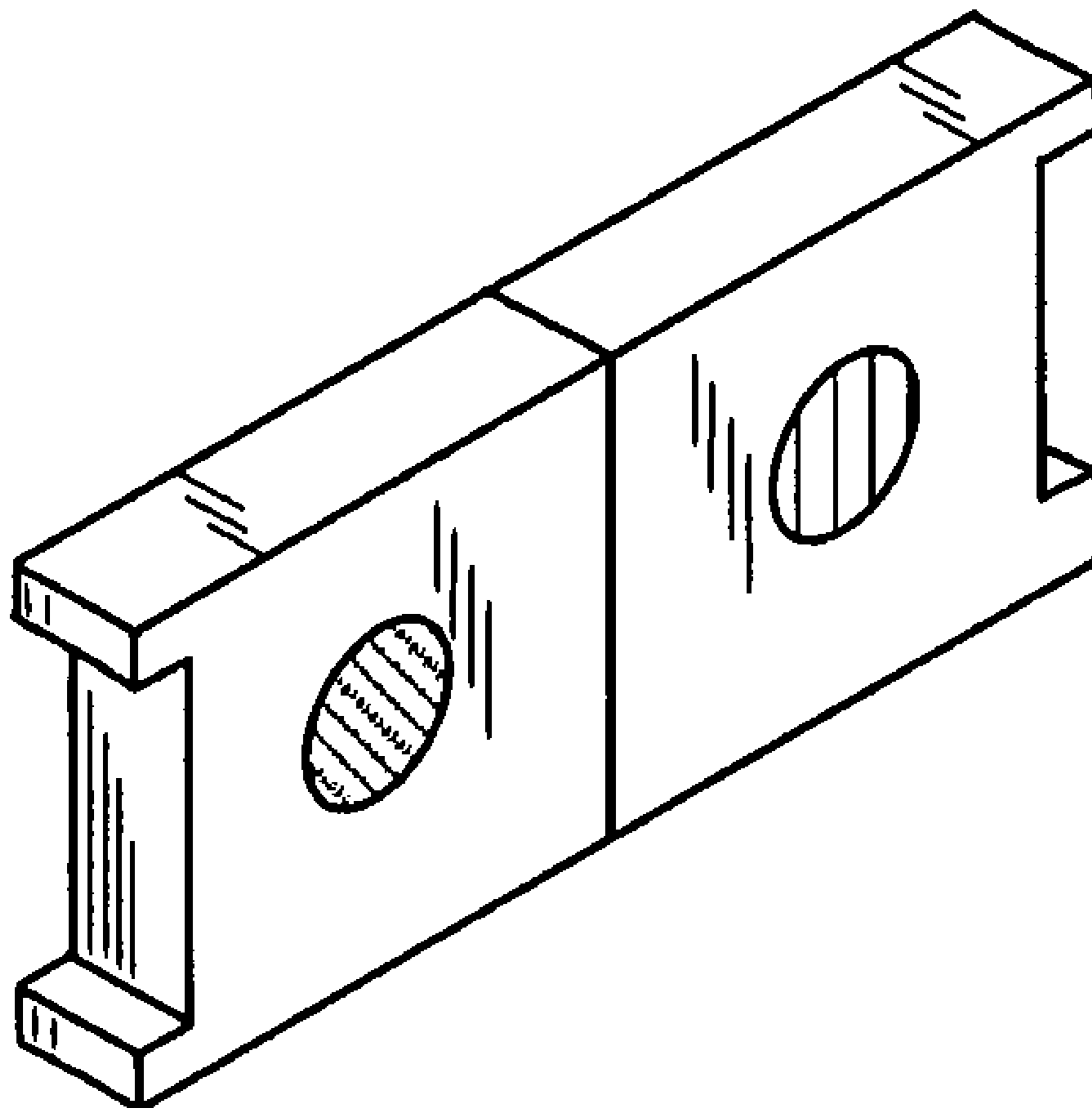
FIG. 7 is a right side view thereof

FIG. 8 is a perspective view of an alternate embodiment of the design of FIG. 1.

FIG. 9 is a perspective view of an alternate embodiment of the design of FIG. 1; and,

FIG. 10 is a perspective view of an alternate embodiment of the design of FIG. 1.

1 Claim, 2 Drawing Sheets



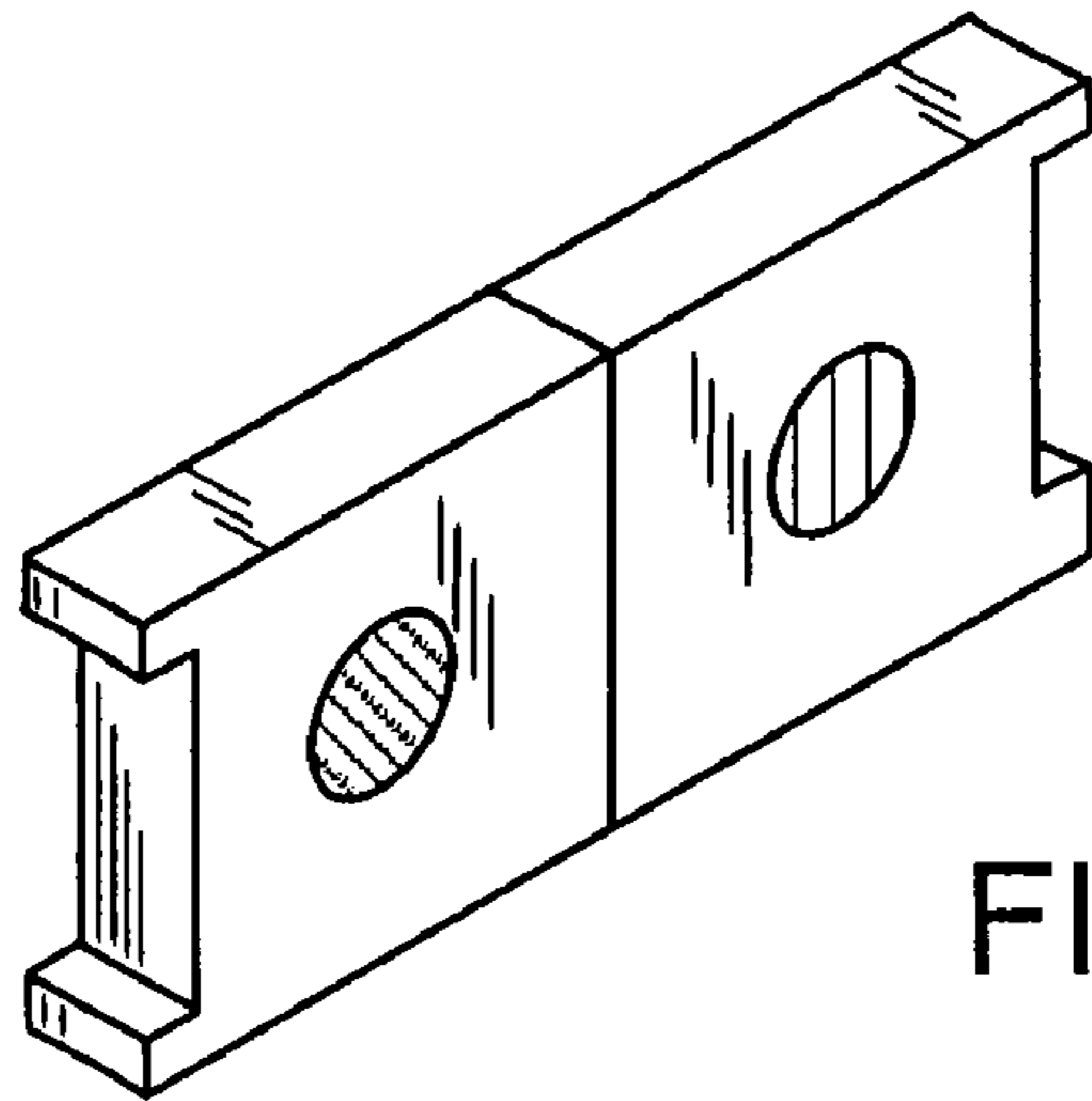


FIG. 1



FIG. 3



FIG. 6

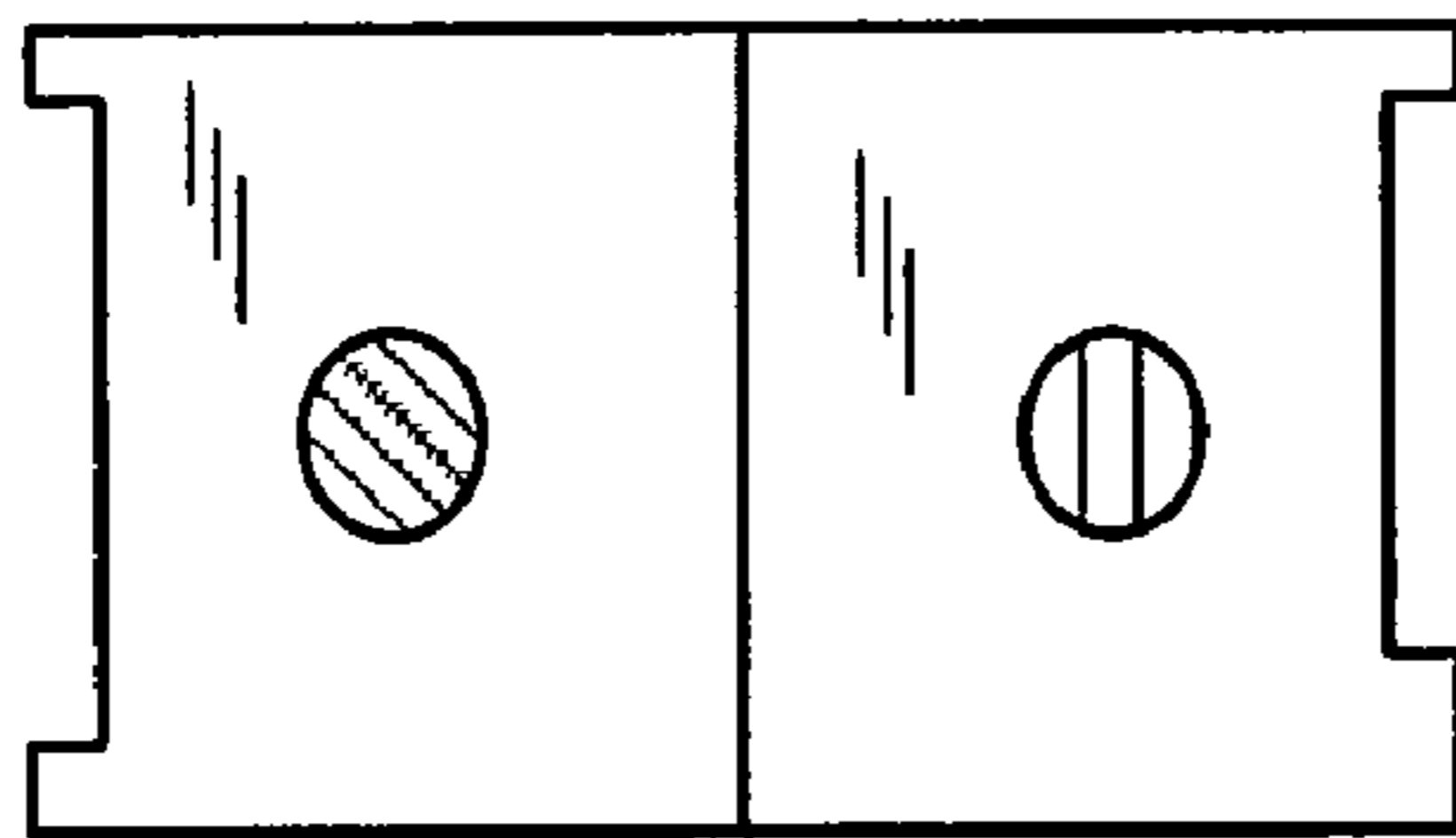


FIG. 2



FIG. 7



FIG. 4

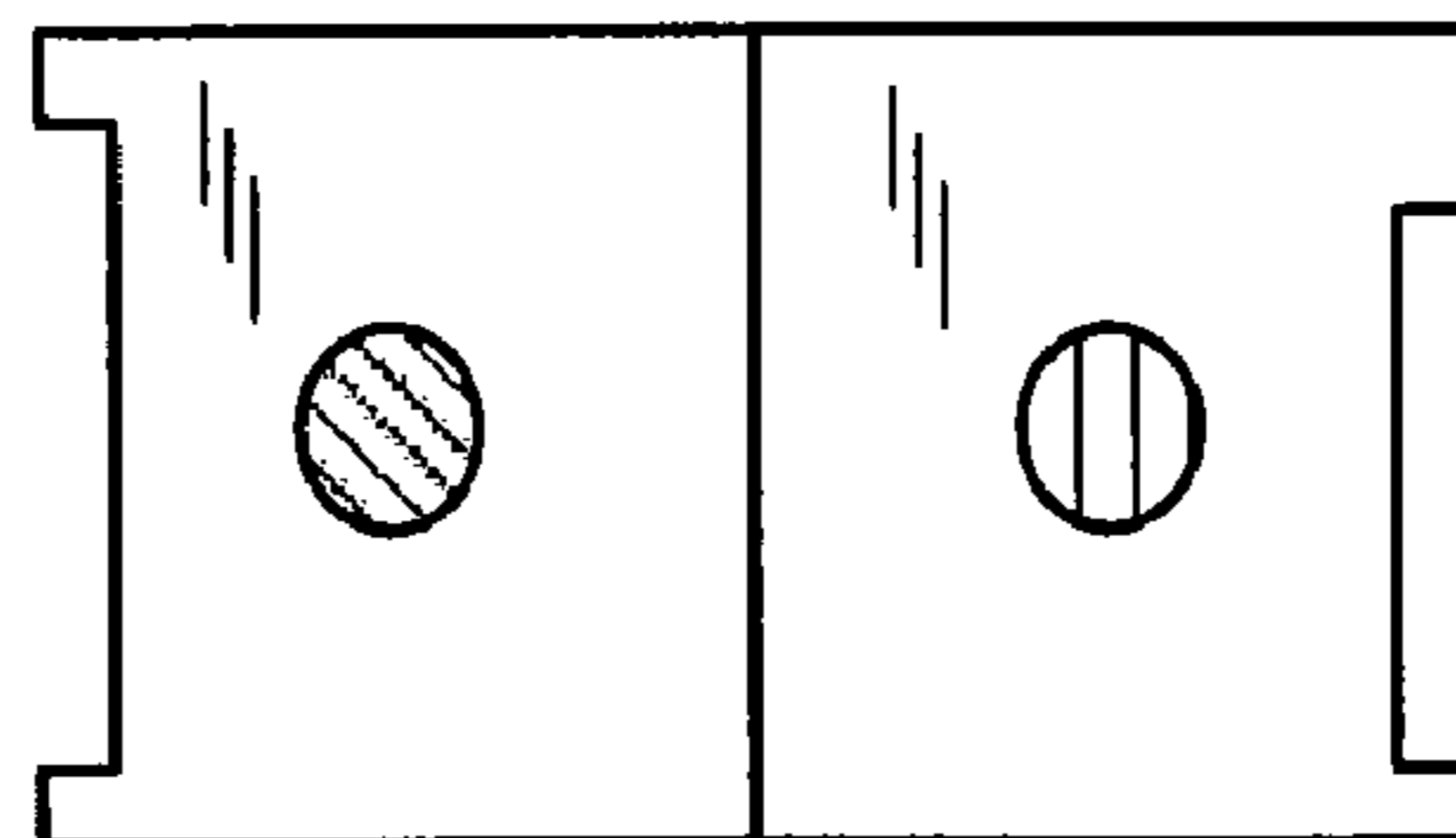


FIG. 5

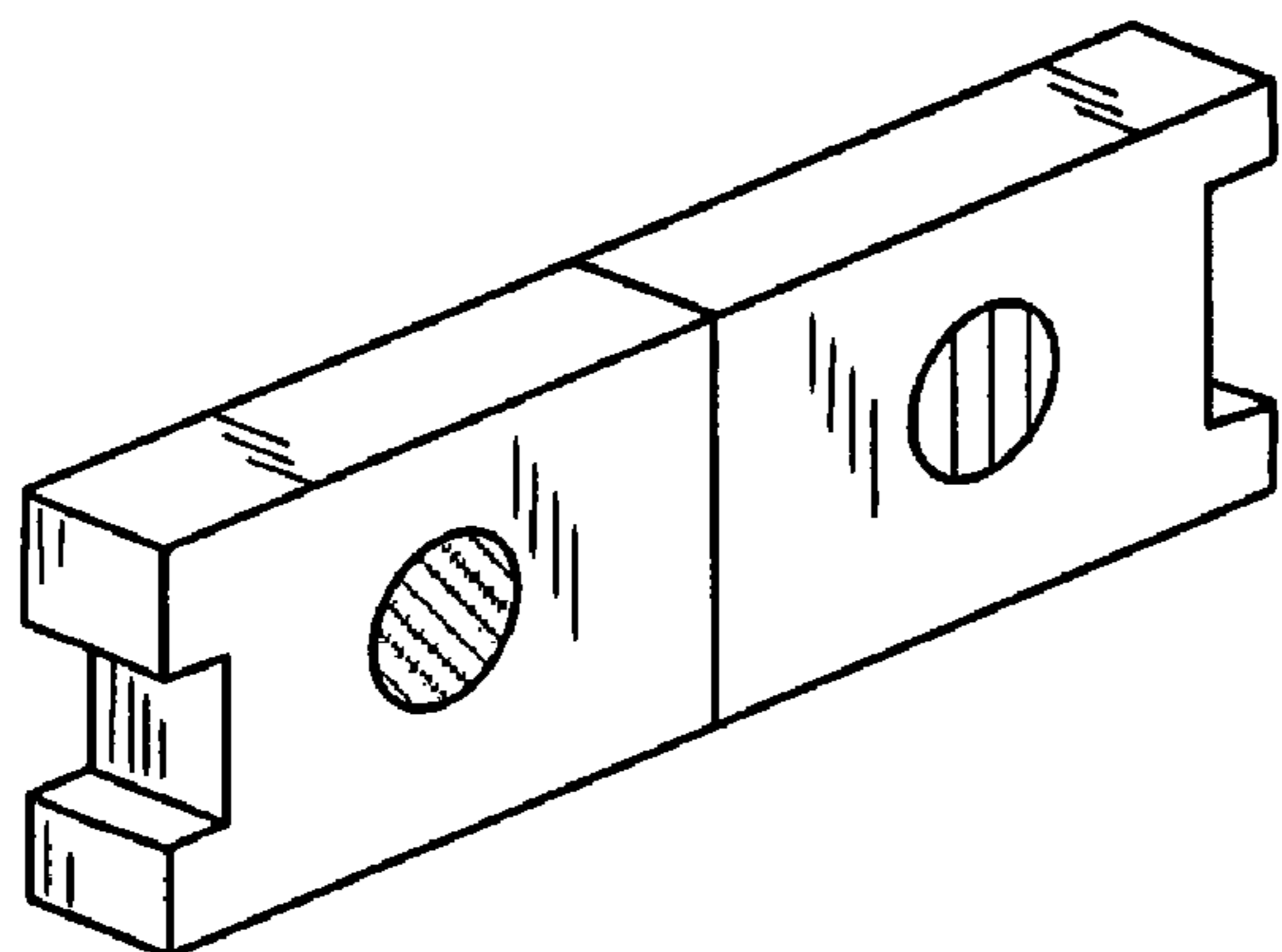


FIG. 8

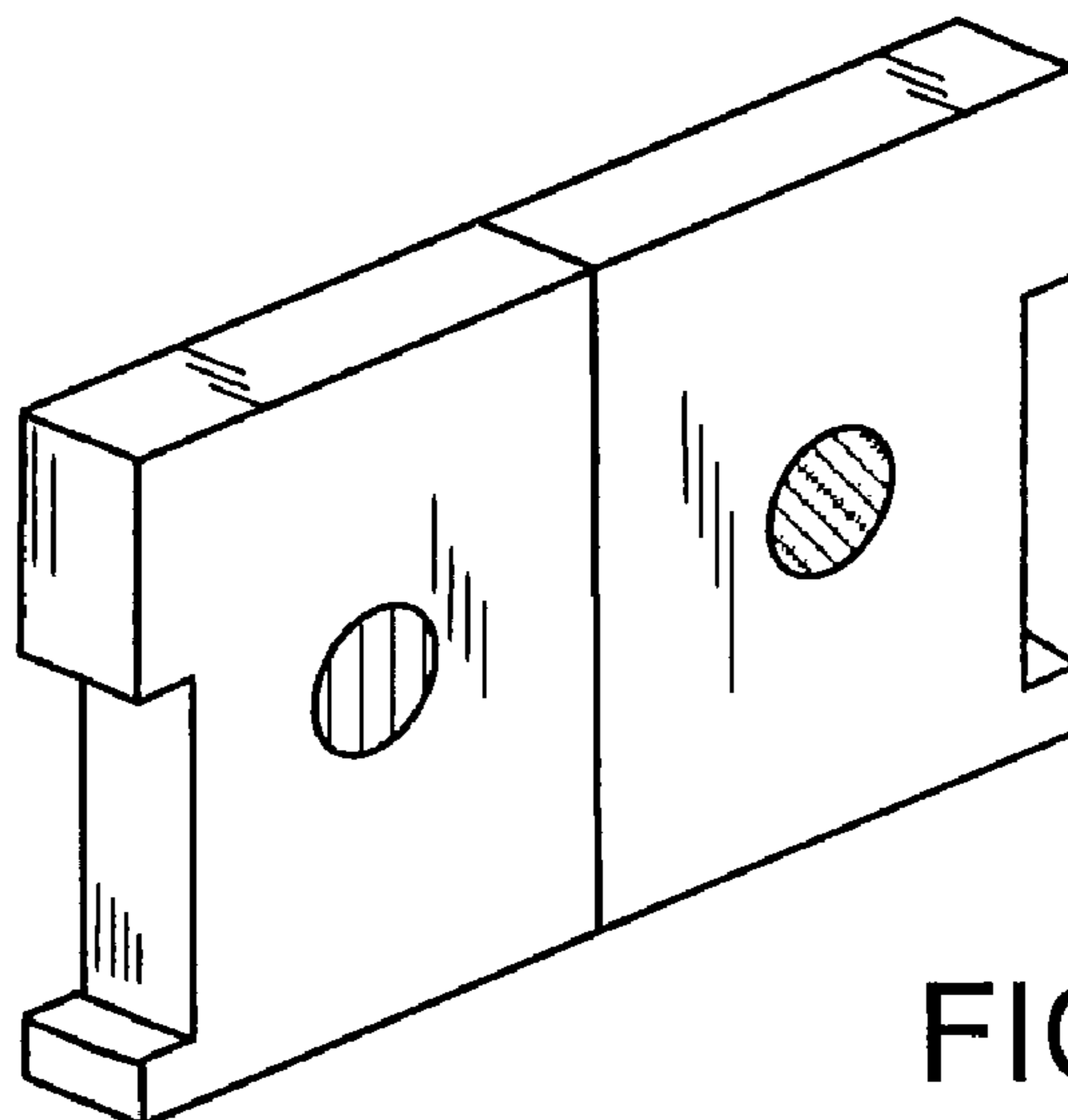


FIG. 9

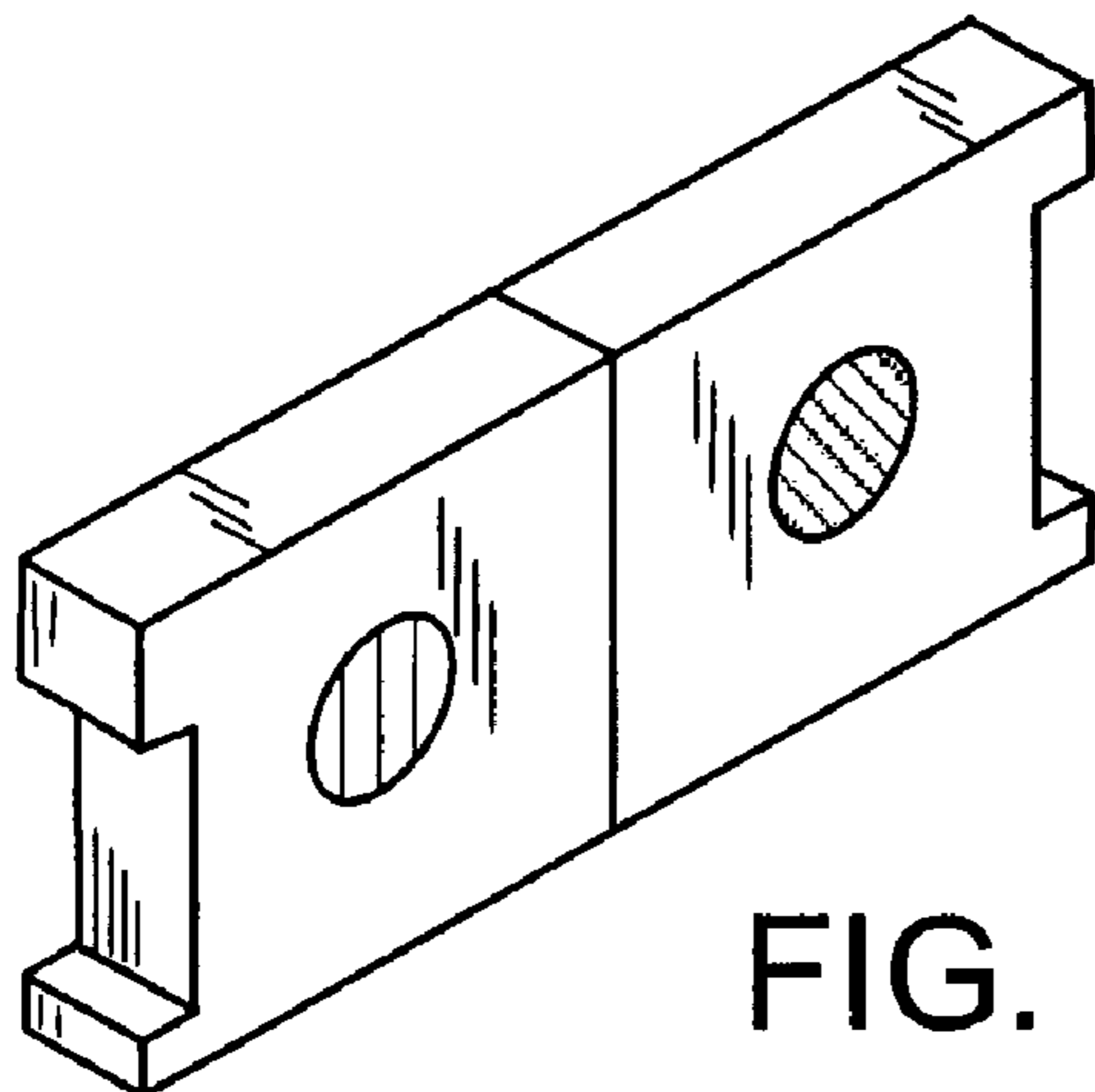


FIG. 10