

US00D577612S

(12) **United States Design Patent**
Diltoer

(10) **Patent No.:** **US D577,612 S**
(45) **Date of Patent:** **** Sep. 30, 2008**

(54) **WATCH**

(75) Inventor: **Jacques Diltoer**, La Garenne (FR)

(73) Assignee: **Cartier International B.V.**, Amsterdam (NL)

(**) Term: **14 Years**

(21) Appl. No.: **29/228,178**

(22) Filed: **Apr. 19, 2005**

Related U.S. Application Data

(63) Continuation of application No. 29/211,185, filed on Aug. 12, 2004, now Pat. No. Des. 508,421.

(30) **Foreign Application Priority Data**

Feb. 13, 2004 (EM) 000134531-005

(51) **LOC (8) Cl.** **10-02**

(52) **U.S. Cl.** **D10/38**

(58) **Field of Classification Search** D10/30-39;
368/276, 277, 281, 282, 285, 288-290, 80,
368/223, 228, 232

See application file for complete search history.

(56) **References Cited**

U.S. PATENT DOCUMENTS

D251,056 S	2/1979	Perrin	
D259,186 S	5/1981	Perrin	
D262,949 S	2/1982	Perrin	
D265,980 S	8/1982	Kanoui	
D267,478 S *	1/1983	Kanoui	D10/32
D267,549 S	1/1983	Kanoui	
D268,332 S *	3/1983	Weil	D10/32
D277,649 S *	2/1985	Glauser	D10/32
D278,130 S	3/1985	Houlihan et al.	
D280,885 S	10/1985	Perrin	
D288,066 S	2/1987	Kanoui	
D370,854 S *	6/1996	Chodat	D10/30
D371,081 S *	6/1996	Mijatovic	D10/39
D388,332 S *	12/1997	Perrin et al.	D10/32
D393,598 S *	4/1998	Perrin et al.	D10/39

D403,248 S *	12/1998	Magninat	D10/30
D412,288 S	7/1999	Perrin et al.	
D413,526 S	9/1999	Perrin et al.	
D420,599 S	2/2000	Perrin et al.	
D422,514 S	4/2000	Diltoer et al.	
D439,172 S *	3/2001	Brzezinski	D10/30
D474,696 S *	5/2003	Takahashi	D10/30
D479,135 S *	9/2003	Emmenegger	D10/30
D546,203 S *	7/2007	Campos	D10/32
D546,712 S *	7/2007	Arlanda	D10/32

OTHER PUBLICATIONS

Distance, Mar. /Apr., 1983, "les must de Cartier" watches.*
Wristwatches, A Connoisseur's Guide, Frand Edwards, copyright 1997, A Firefly book, pp. 13 and 51, Cartier watches.*
Swiss Watch and Jewelry Journal, Feb., 1981, p. 285, Golana watch, item #1711.*
U.S. Appl. No. 29/211,182.
U.S. Appl. No. 29/211,184.
Cartier 2000 Catalog pp. 33, 52, 60, 67.
Le Temps De Cartier, First Edition, Oct. 1989 pp. 51, 52, 53, 122;123,163,289 and 317.

* cited by examiner

Primary Examiner—Lucy Lieberman
(74) *Attorney, Agent, or Firm*—Kalow & Springut LLP

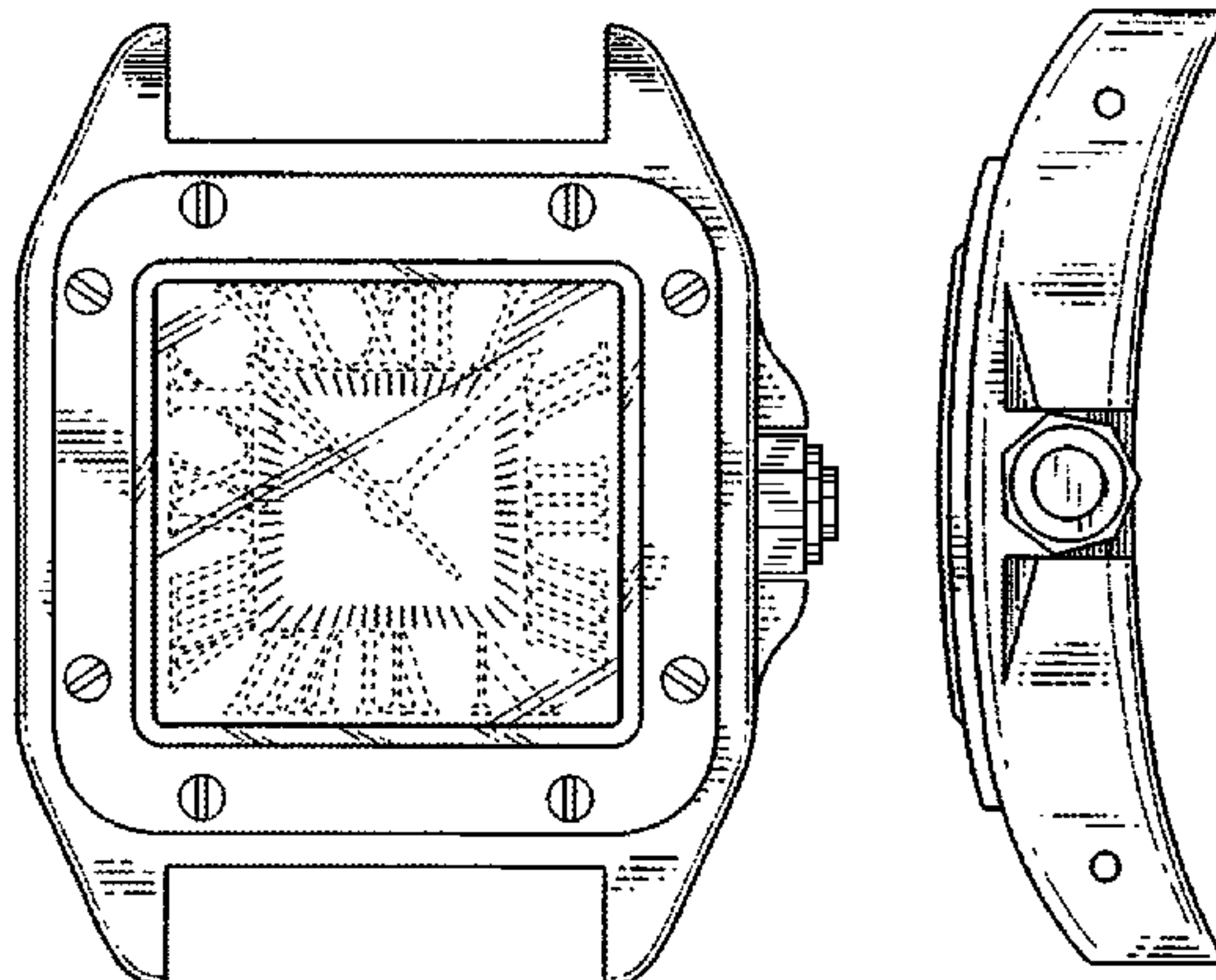
(57) **CLAIM**

The ornamental design for a watch, as shown and described.

DESCRIPTION

FIG. 1 is a perspective view of a watch;
FIG. 2 is a front view thereof;
FIG. 3 is a rear view thereof;
FIG. 4 is a right-side view thereof;
FIG. 5 is a left-side view thereof;
FIG. 6 is a top view; and,
FIG. 7 is a bottom view thereof.
The broken lines are for illustrative purposes only and form no part of the claimed design.

1 Claim, 3 Drawing Sheets



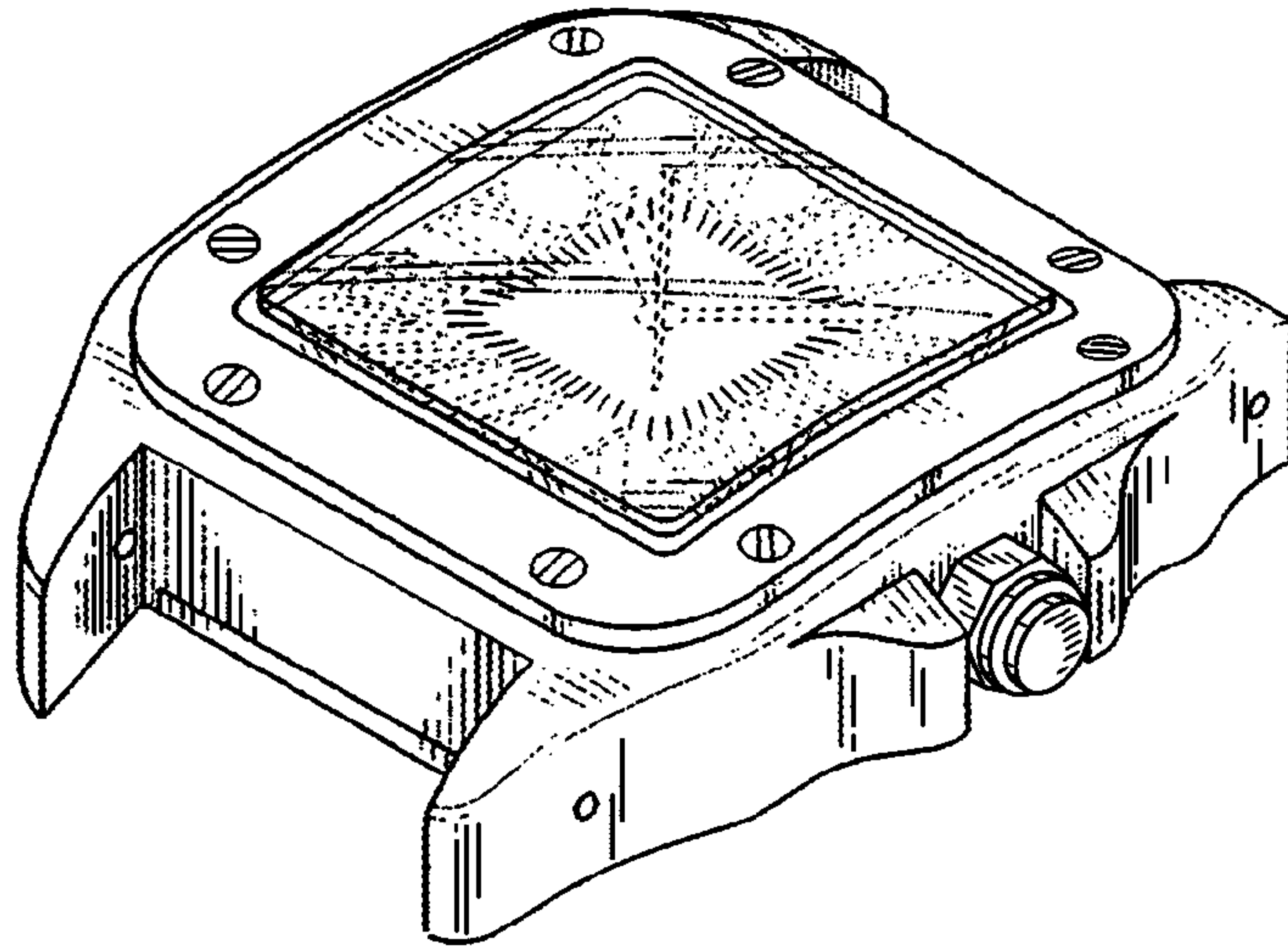


FIG. 1

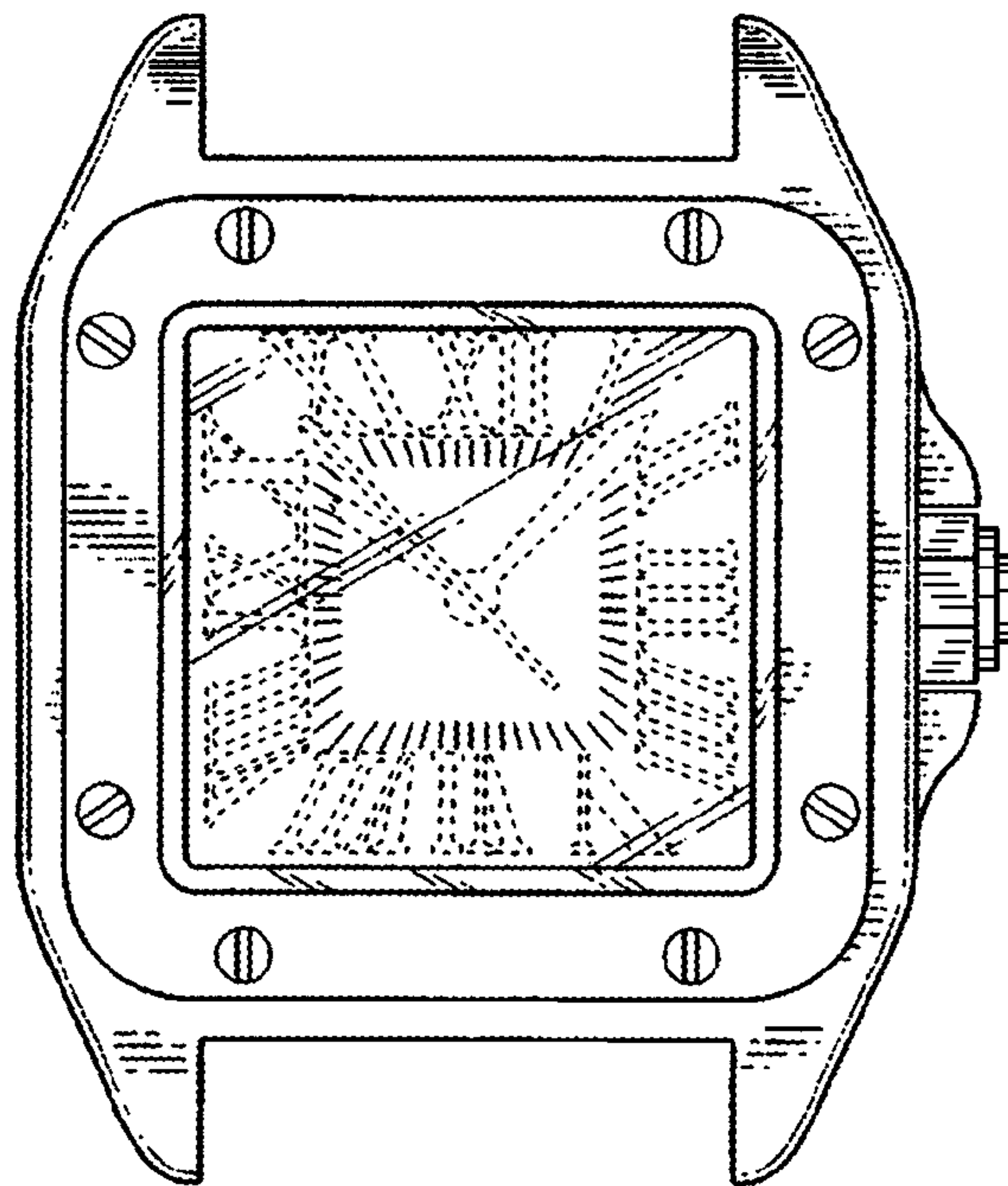


FIG. 2

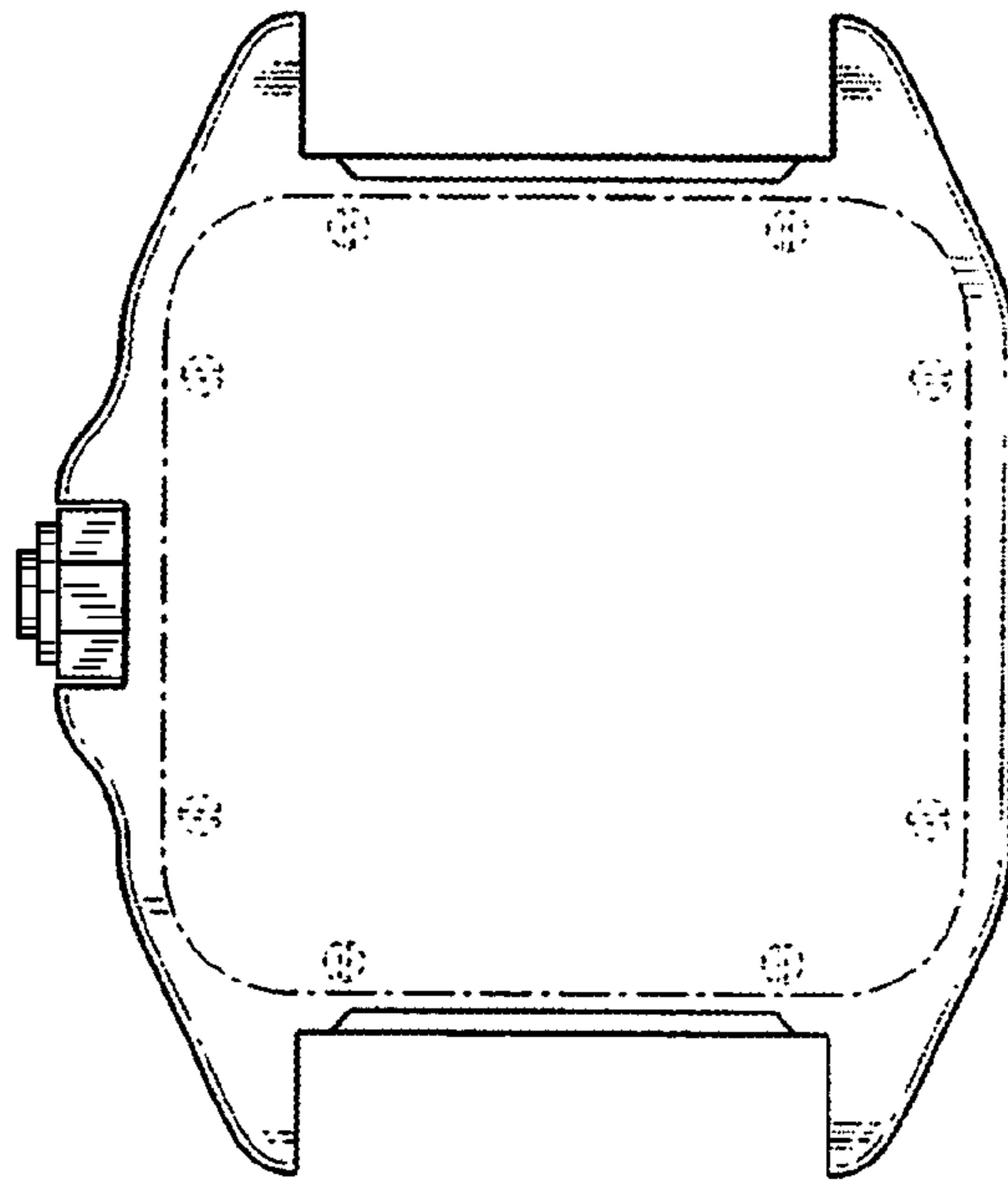


FIG. 3

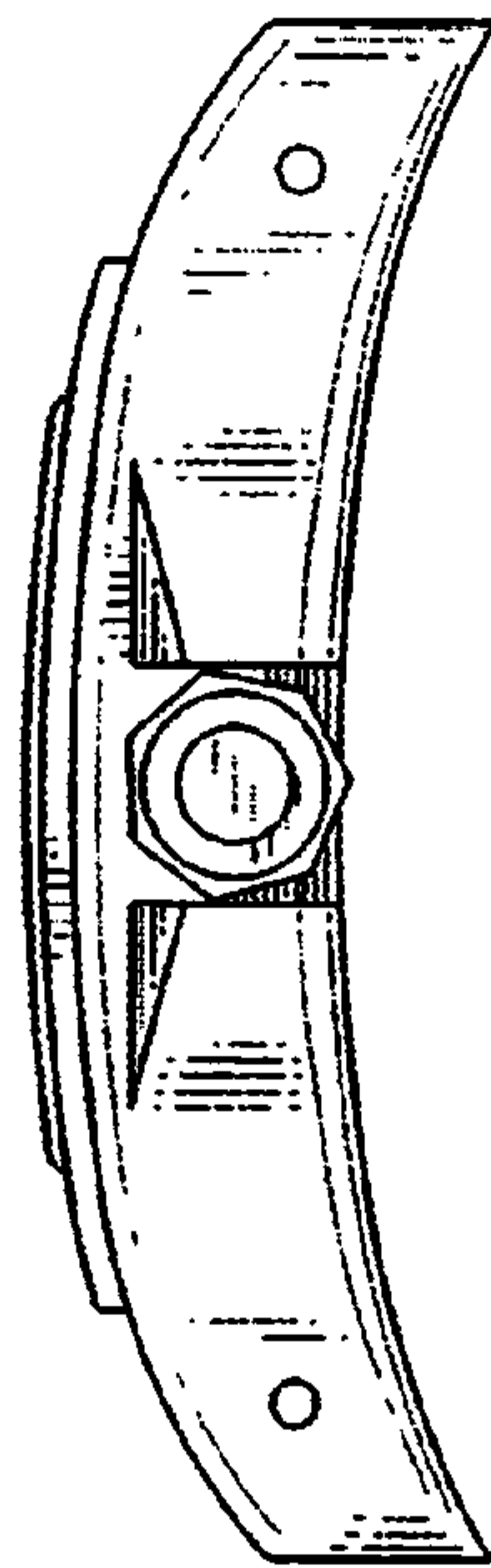


FIG. 4

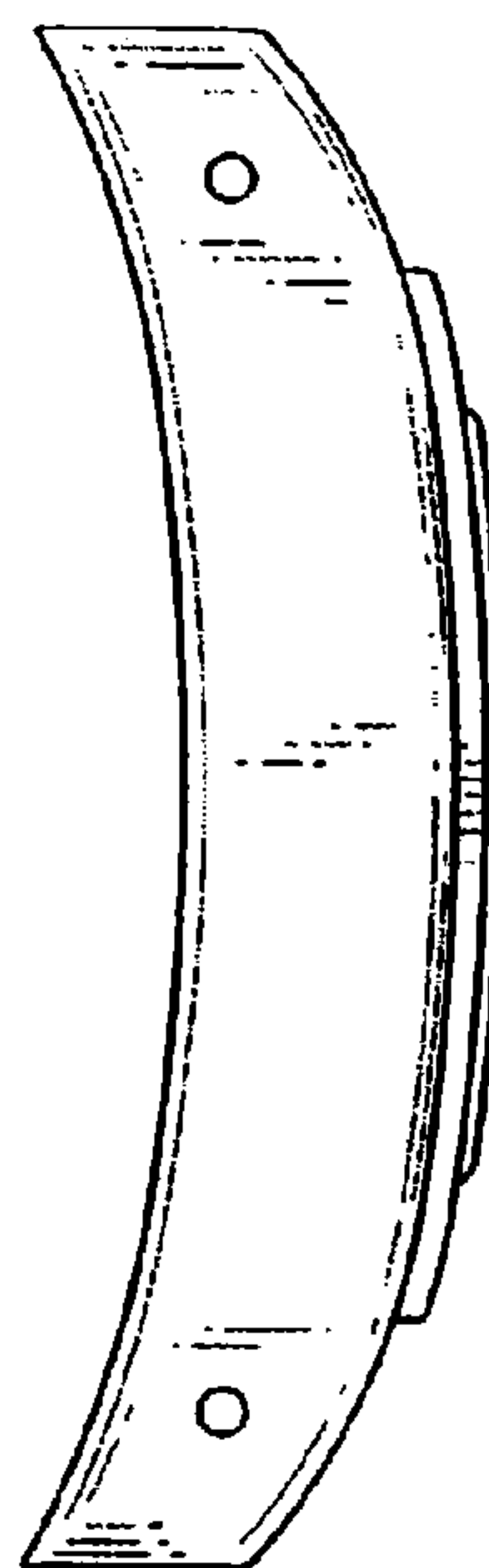


FIG. 5

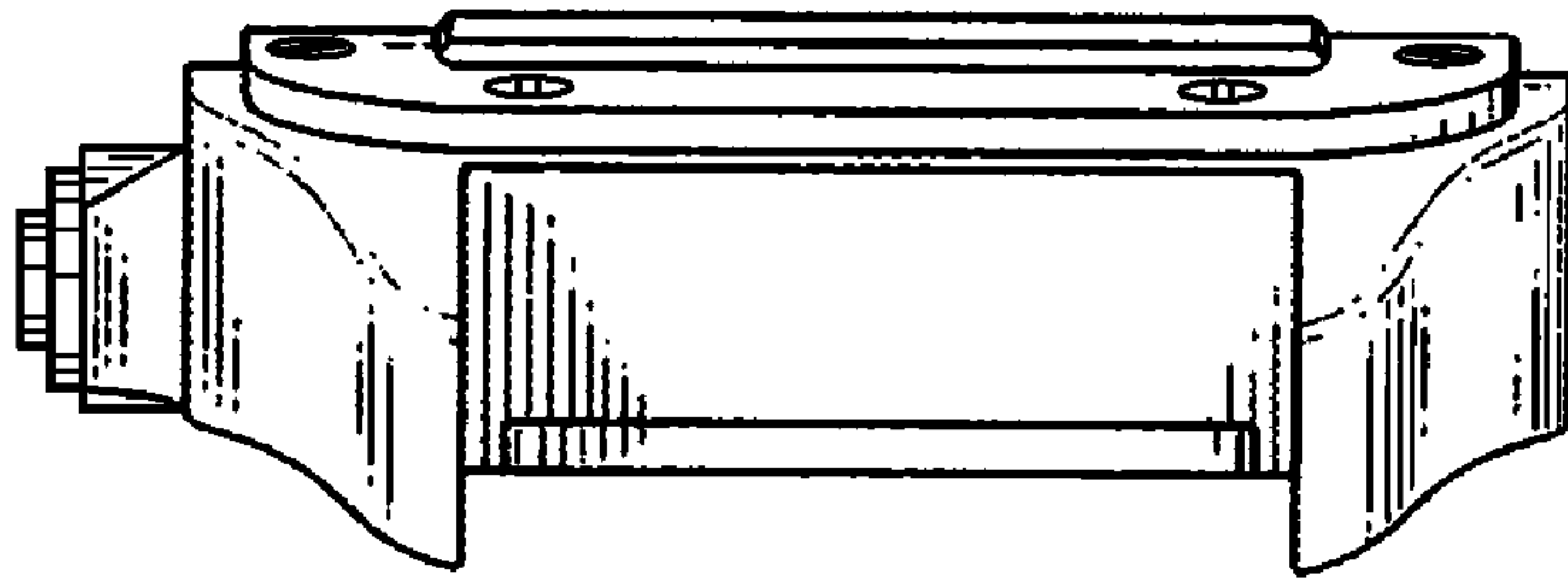


FIG. 6

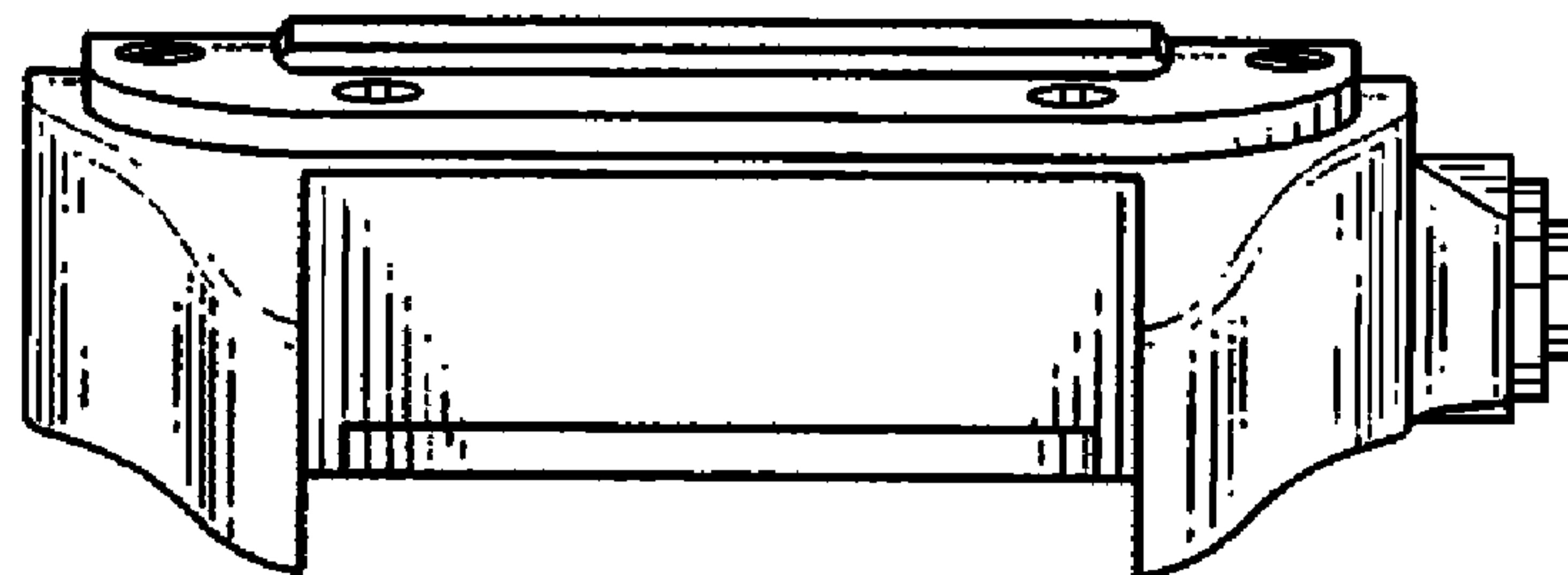


FIG. 7