



US00D577595S

(12) **United States Design Patent**
Lee

(10) **Patent No.:** **US D577,595 S**
(45) **Date of Patent:** **** Sep. 30, 2008**

(54) **CONTAINER FOR CHEWING GUM**

(75) Inventor: **Hwa-Kyung Lee**, Seoul (KR)

(73) Assignee: **Orion Corporation**, Seoul (KR)

(**) Term: **14 Years**

(21) Appl. No.: **29/262,186**

(22) Filed: **Jun. 28, 2006**

(51) **LOC (8) Cl.** **09-01**

(52) **U.S. Cl.** **D9/549**

(58) **Field of Classification Search** D9/416,
D9/420, 423, 424, 428, 438, 446, 452, 500,
D9/503, 504, 516, 520, 529, 549, 558, 652;
D3/201, 202, 203.1, 203.2, 205; 215/379-382;
220/660, 669

See application file for complete search history.

(56) **References Cited**

U.S. PATENT DOCUMENTS

D248,373 S * 7/1978 Allen D9/503
4,444,326 A * 4/1984 Musel 215/209
D312,044 S * 11/1990 Davis D9/438
D340,836 S * 11/1993 Cautereels D7/511

5,312,011 A * 5/1994 Fischer 220/528
5,667,094 A * 9/1997 Rapchak et al. 220/834
D427,427 S * 7/2000 Davis D3/203.5
D498,584 S * 11/2004 DiMarchi et al. D3/203.2

* cited by examiner

Primary Examiner—Ian Simmons

Assistant Examiner—Dana L Sipos

(74) *Attorney, Agent, or Firm*—Ladas & Parry LLP

(57) **CLAIM**

We claim the ornamental design for a container for chewing gum, as shown.

DESCRIPTION

FIG. 1 is a top, front, and left side perspective view of a container for chewing gum showing my new design;

FIG. 2 is a top plan view thereof;

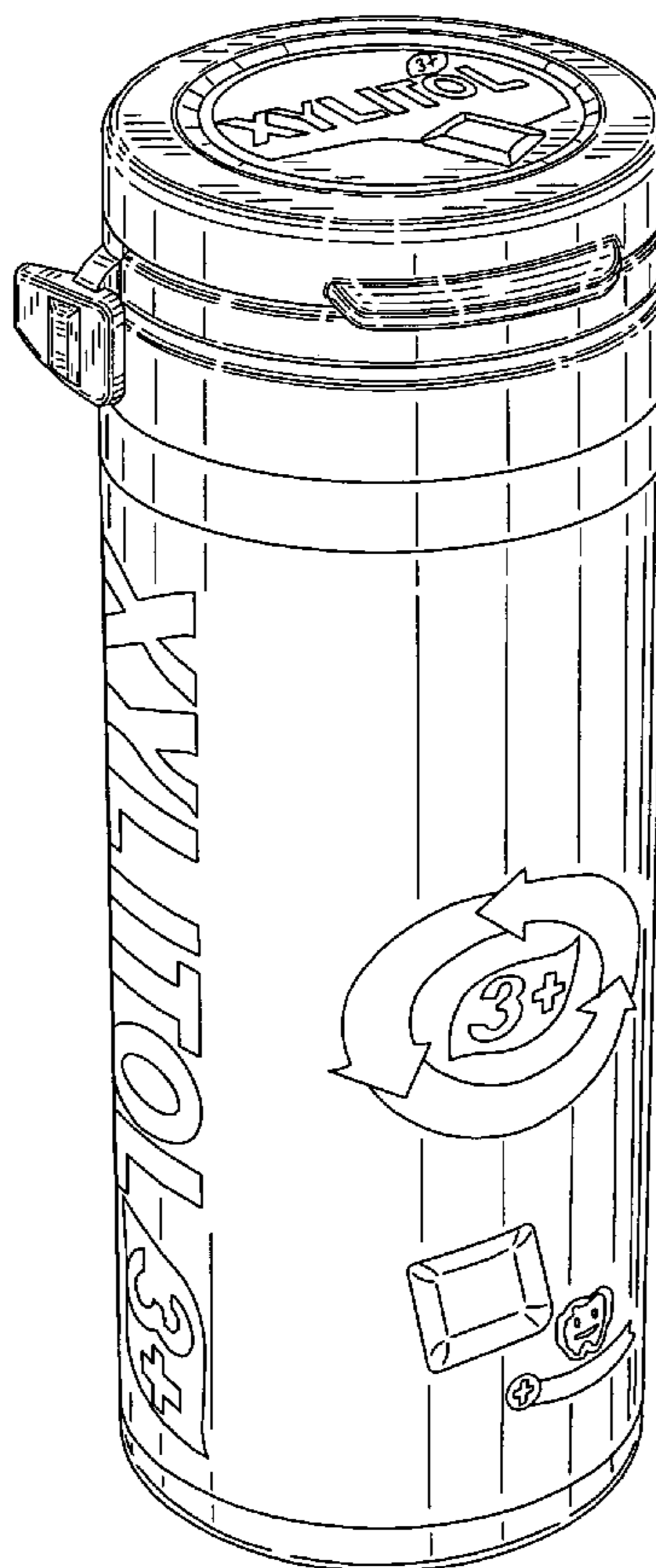
FIG. 3 is a front elevational view thereof;

FIG. 4 is a rear elevational view thereof;

FIG. 5 is a left side elevational view thereof; and,

FIG. 6 is a right side elevational view thereof.

1 Claim, 6 Drawing Sheets



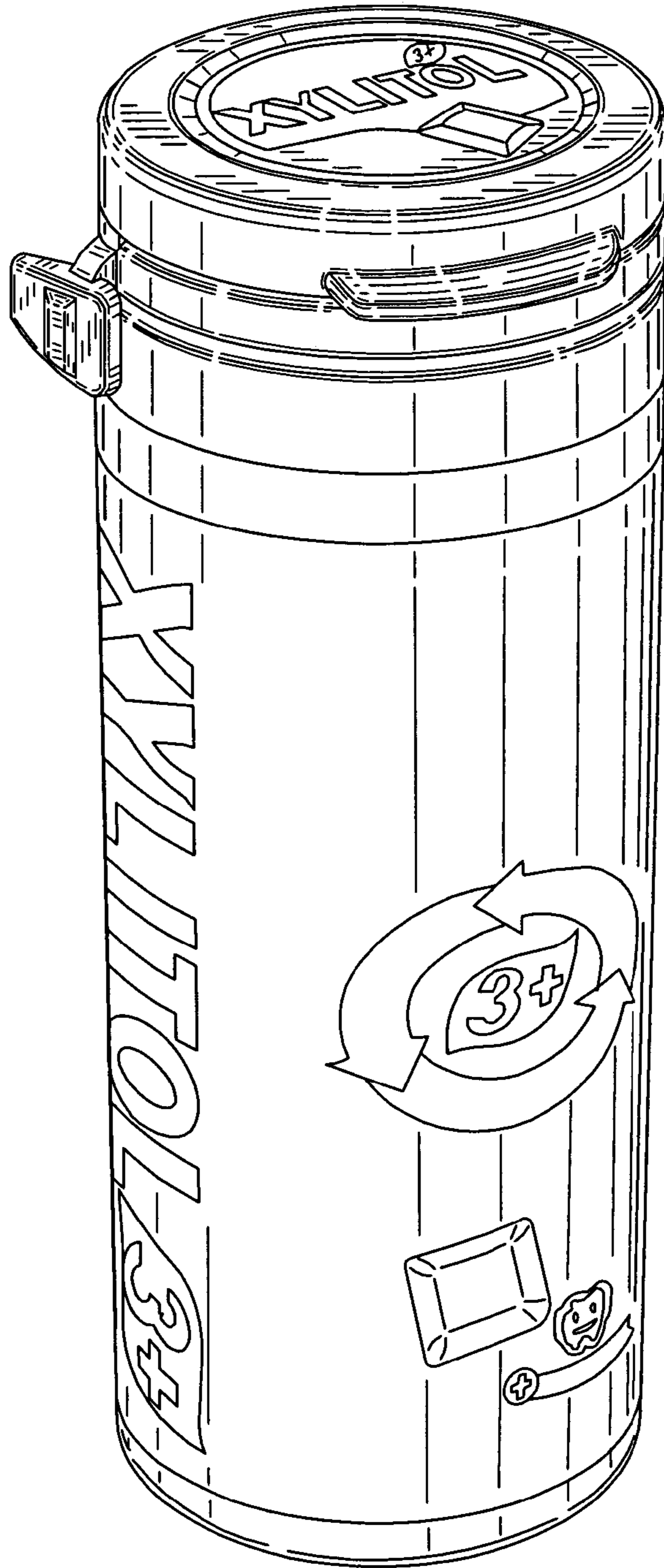


FIG. 1

FIG. 2

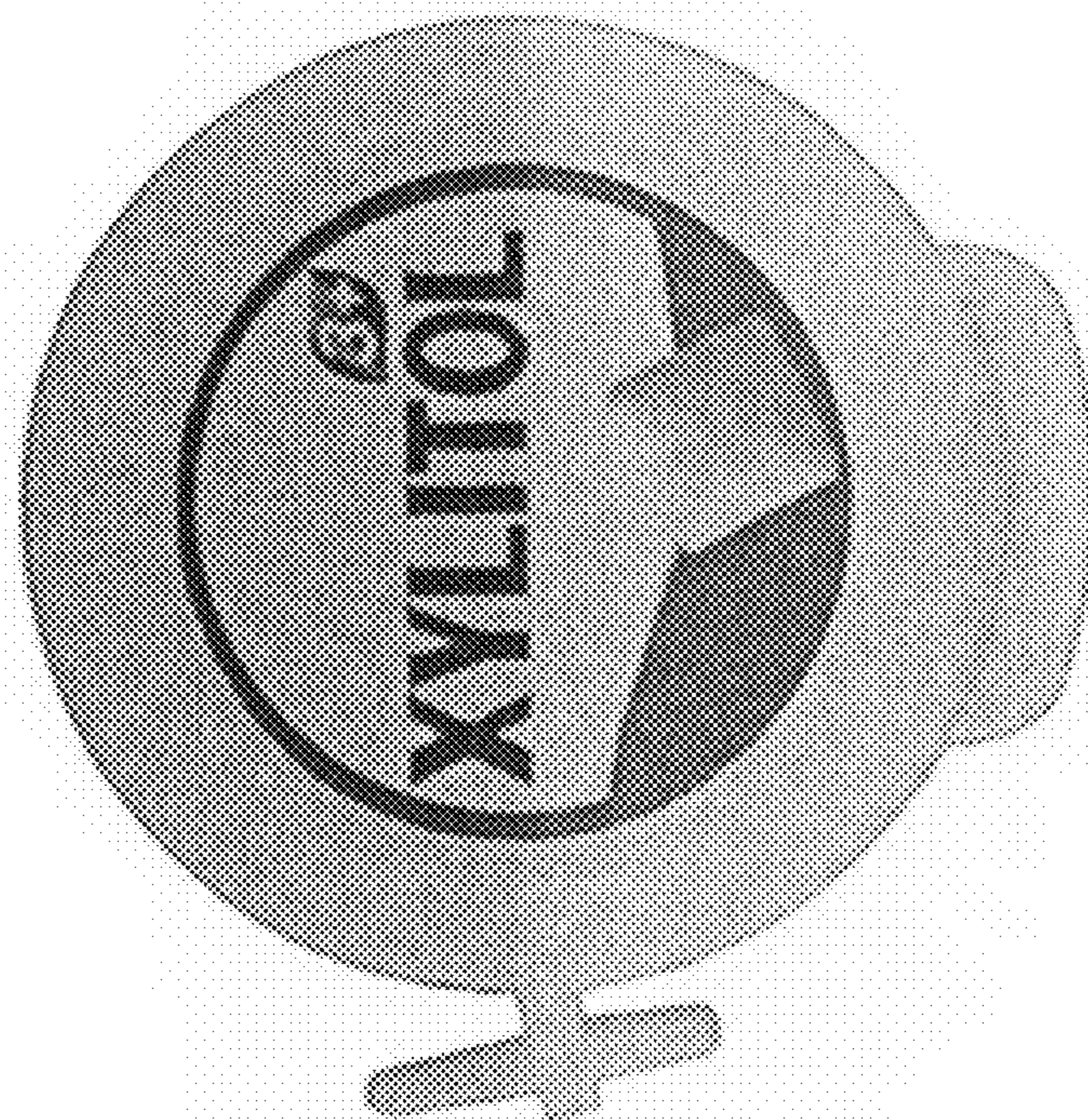


FIG. 3

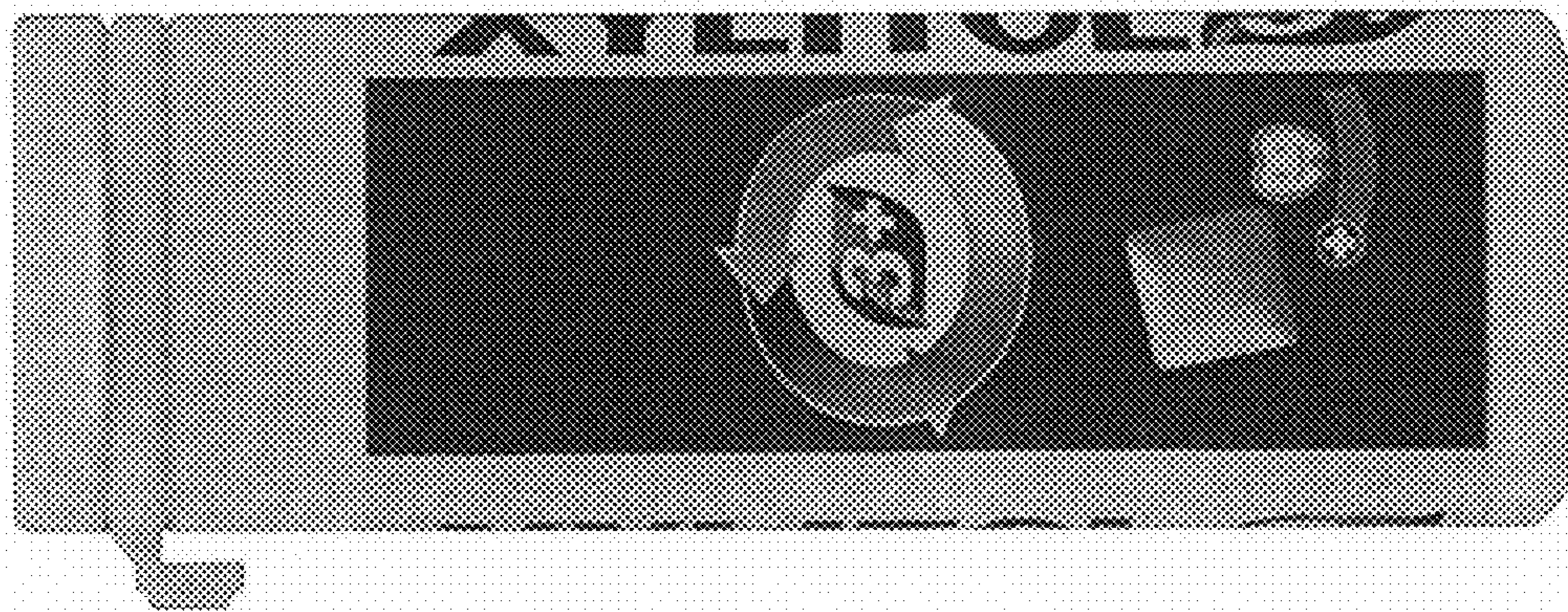


FIG. 4

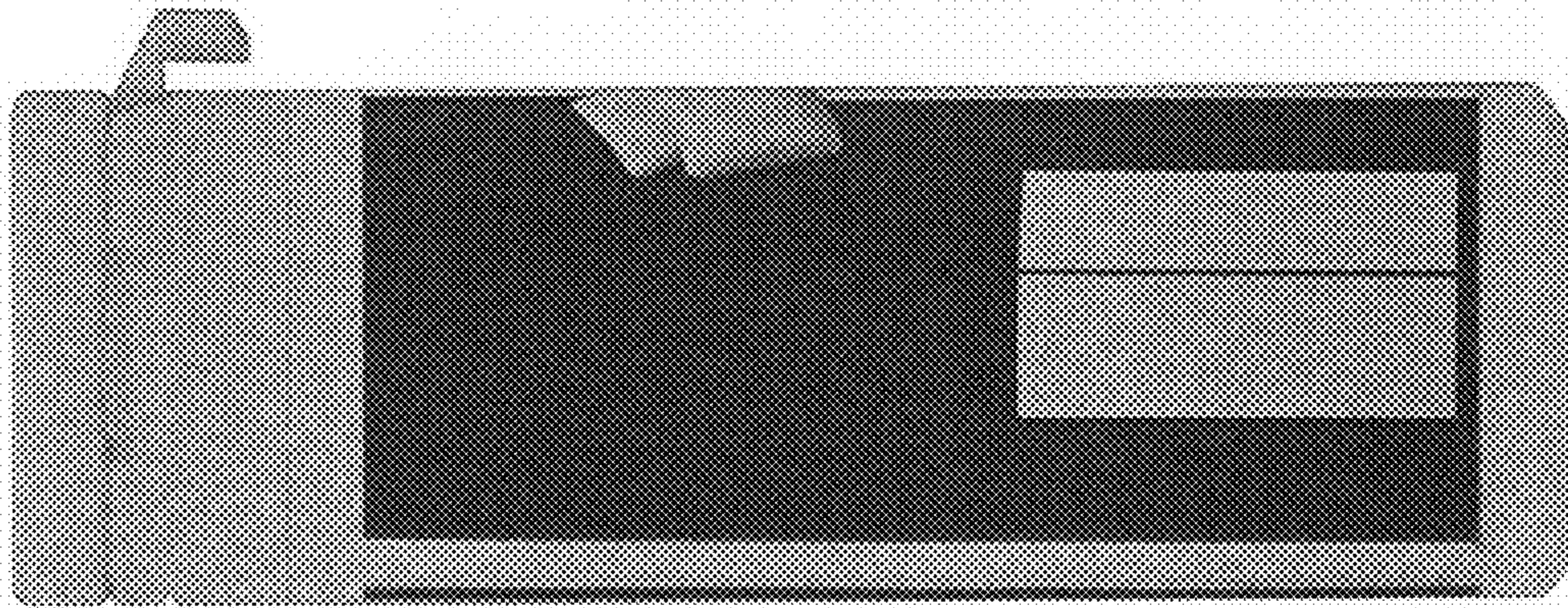


FIG. 5



FIG. 6

