



US00D577594S

(12) **United States Design Patent**
Sasaki et al.

(10) **Patent No.:** **US D577,594 S**

(45) **Date of Patent:** **** Sep. 30, 2008**

(54) BOTTLE	7,004,342 B2 *	2/2006	Bourque et al.	215/384
	D525,527 S	7/2006	Ogg	
(75) Inventors: Masaaki Sasaki , Funabashi (JP); Takao Iizuka , Inba (JP)	D525,528 S	7/2006	Lane et al.	
	D528,427 S	9/2006	Sasaki et al.	
(73) Assignee: Yoshino Kogyosho Co., Ltd. , Tokyo (JP)	D529,385 S	10/2006	Gamber et al.	
	D533,071 S	12/2006	Forget	
	D533,782 S	12/2006	Ogg et al.	
(**) Term: 14 Years	D533,786 S *	12/2006	Ogg et al.	D9/564
	D536,258 S *	2/2007	Ogg et al.	D9/564
(21) Appl. No.: 29/290,112	D547,670 S *	7/2007	Heisner	D9/658
	D575,321 S	8/2008	van Kuijk	
(22) Filed: Oct. 23, 2007	2003/0136754 A1	7/2003	Bourque	
	2004/0164046 A1 *	8/2004	Kelley	215/382
	2007/0039918 A1	2/2007	Lane et al.	

Related U.S. Application Data

(62) Division of application No. 29/262,501, filed on Jul. 5, 2006.

(51) **LOC (8) Cl.** **09-01**

(52) **U.S. Cl.** **D9/542; D9/563; D9/570**

(58) **Field of Classification Search** D9/501, D9/516, 520, 530, 537, 538, 539, 540, 541, D9/542, 547, 551, 552, 553, 559, 560, 563, D9/564, 565, 566, 567, 569, 570, 571, 574, D9/543, 575; 206/527; 215/381-385, 40, 215/396, 398

See application file for complete search history.

(56) **References Cited**

U.S. PATENT DOCUMENTS

D292,738 S *	11/1987	Futatsugi et al.	D26/3
D398,539 S	9/1998	Guislain	
D412,119 S	7/1999	Guertin	
D420,919 S	2/2000	Ogg	
D451,033 S	11/2001	Iizuka et al.	
D459,234 S	6/2002	Bourque et al.	
6,575,321 B2	6/2003	Bourque et al.	
D507,746 S	7/2005	Sasaki et al.	

* cited by examiner

Primary Examiner—Stella M. Reid

Assistant Examiner—Elizabeth J Oswecki

(74) *Attorney, Agent, or Firm*—Oliff & Berridge, PLC

(57) **CLAIM**

The ornamental design for a bottle, as shown and described.

DESCRIPTION

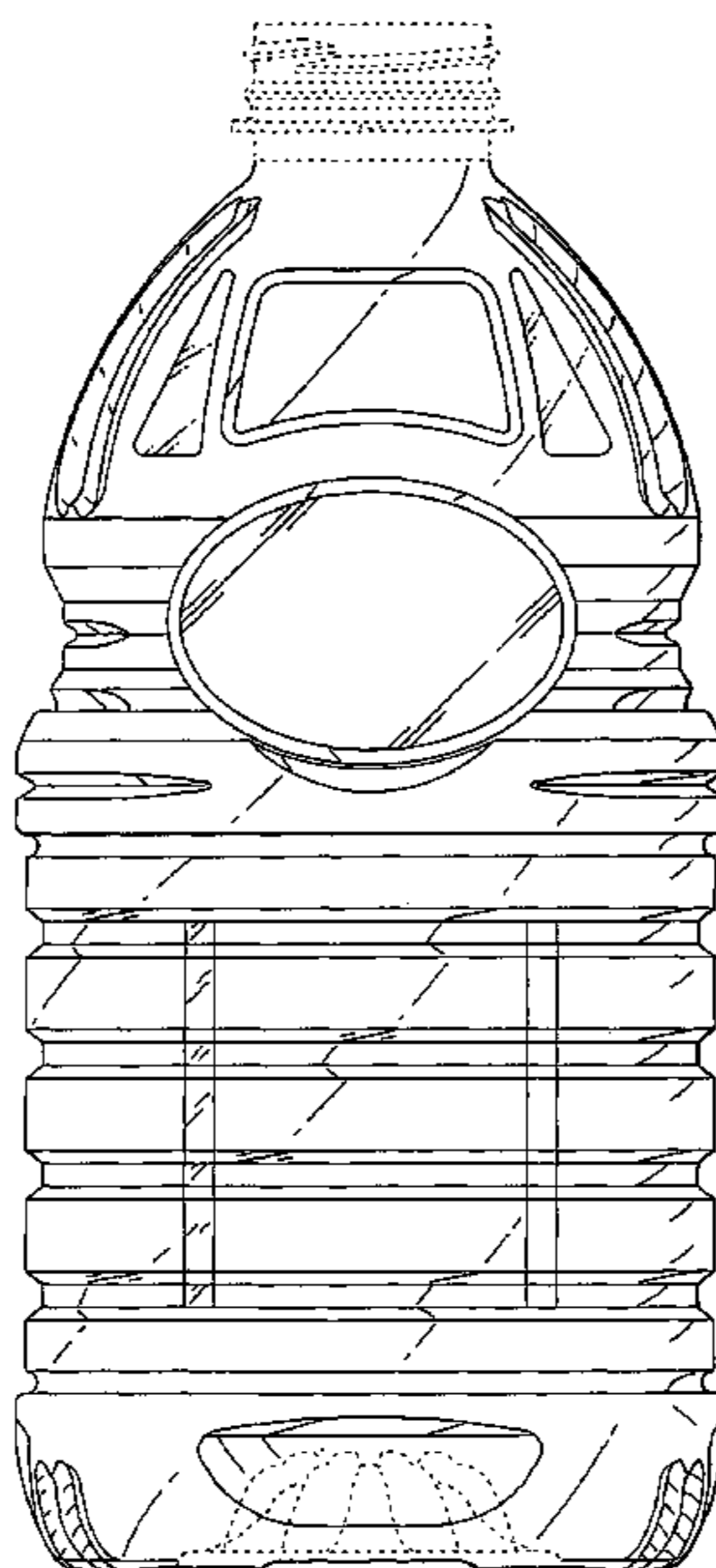
FIG. 1 is a front elevational view of a transparent bottle showing our new design, the rear elevational view being a mirror image;

FIG. 2 is a side elevational view thereof, the opposite side view being a mirror image;

FIG. 3 is an enlarged top plan view thereof with the bottom plan view visible from the top plan view as it is shown in a transparent bottle; and,

FIG. 4 is an enlarged bottom plan view thereof with the top plan view visible from the bottom plan view as it is shown in a transparent bottle.

1 Claim, 4 Drawing Sheets



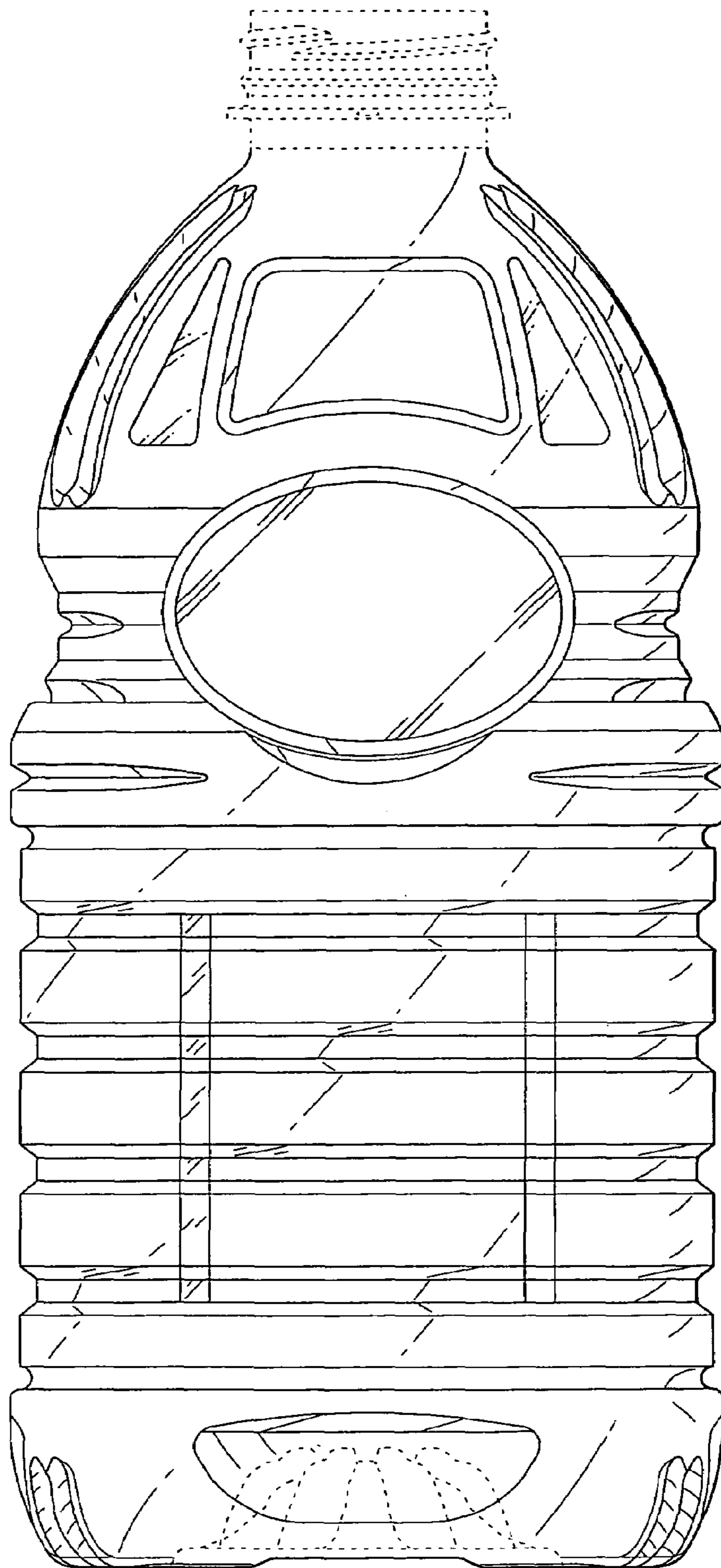


FIG. 1

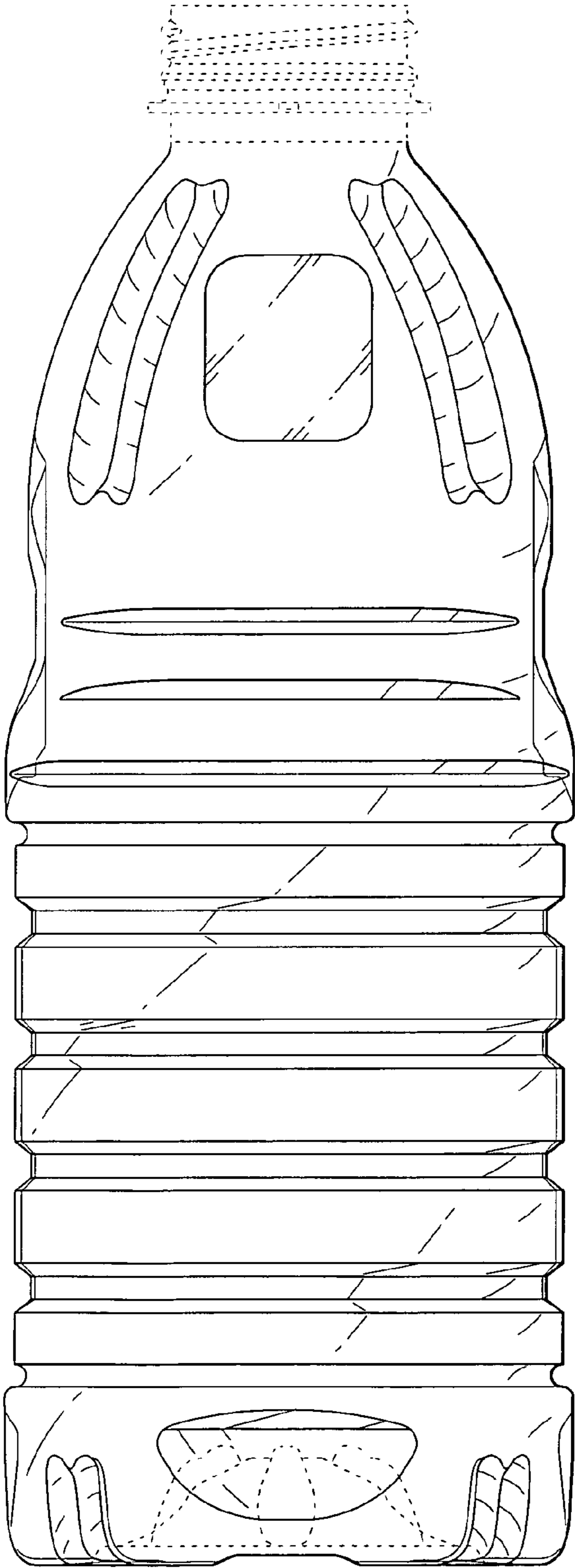


FIG. 2

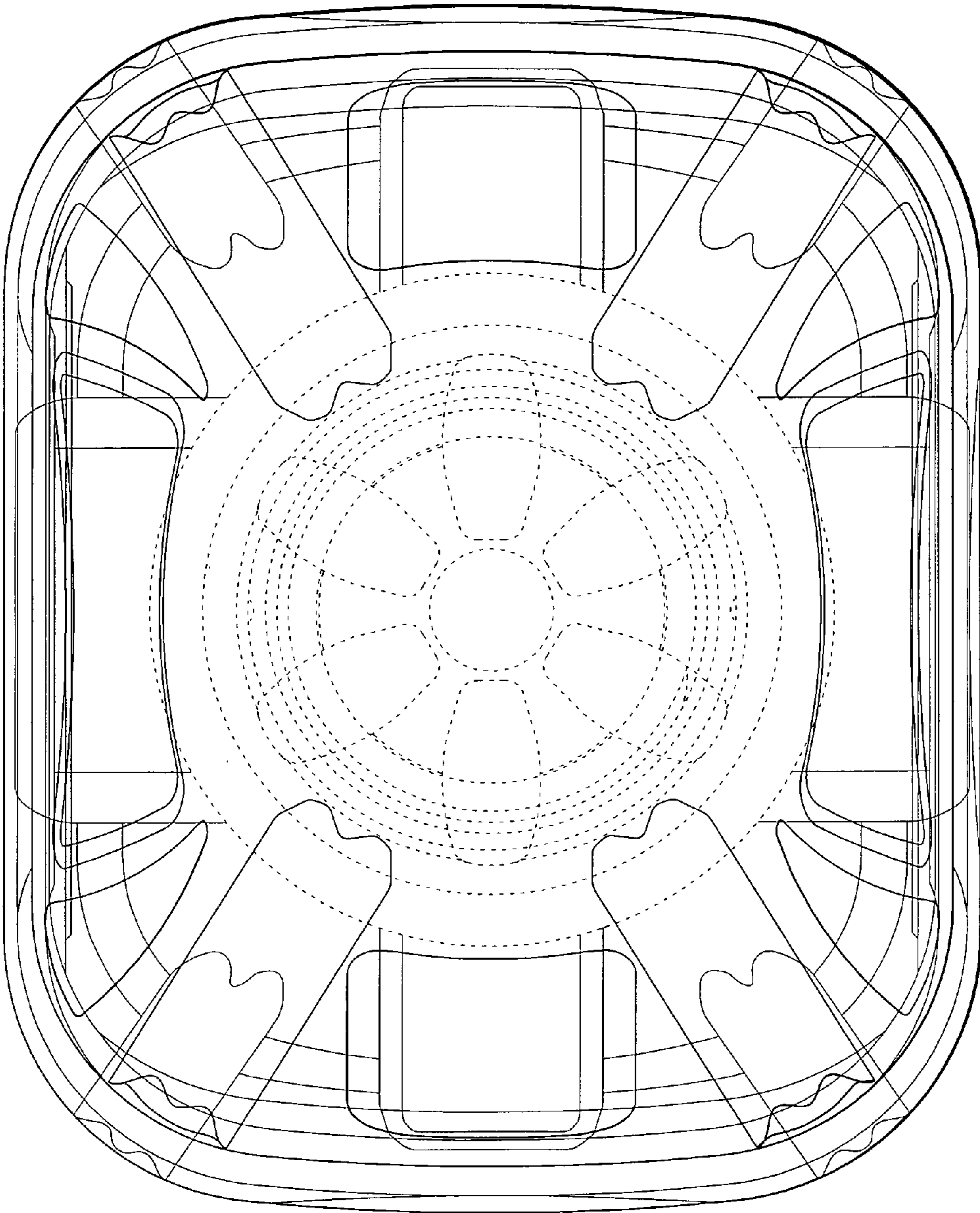


FIG. 3

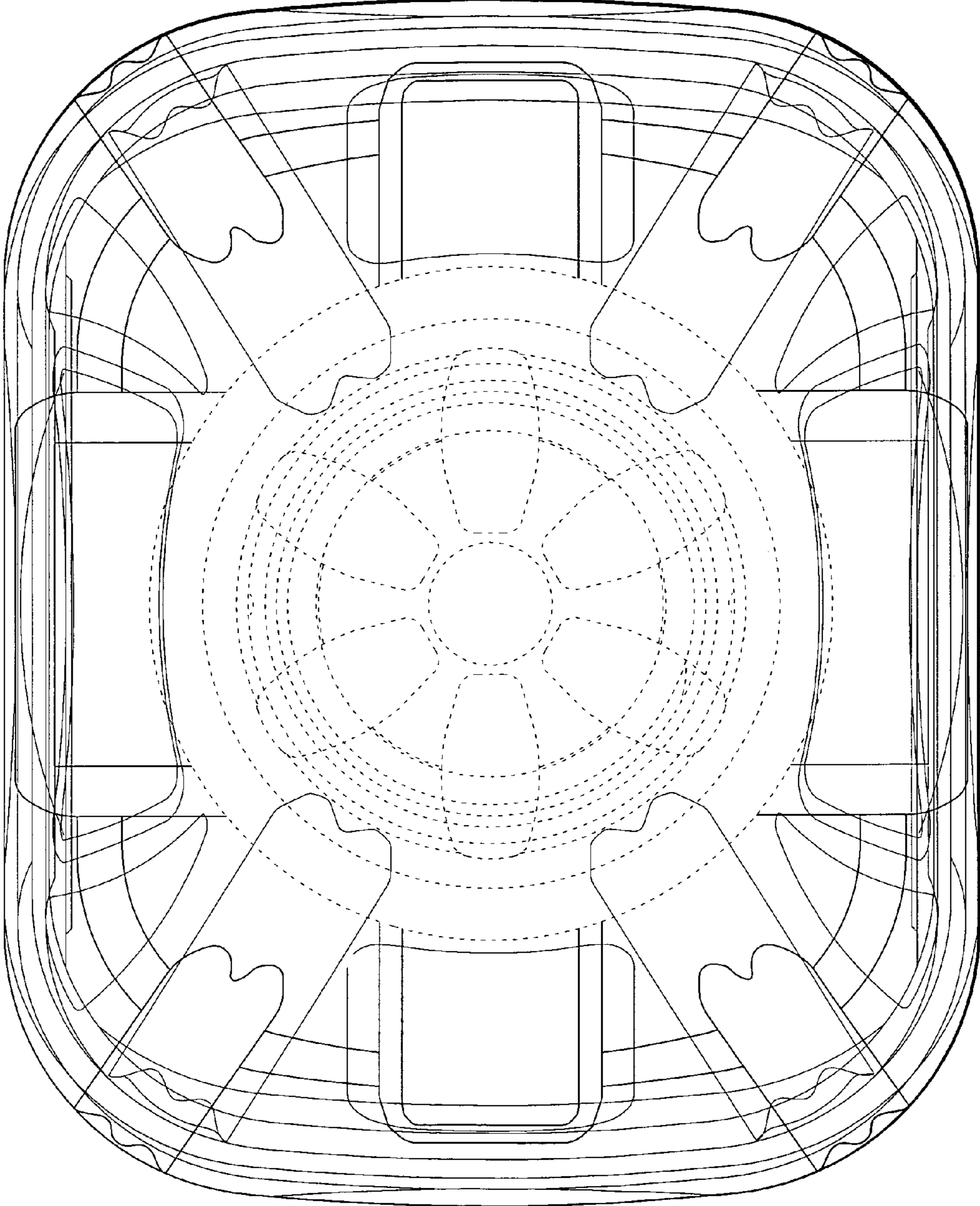


FIG. 4