



US00D577593S

(12) **United States Design Patent**
Hestehave

(10) **Patent No.:** **US D577,593 S**
(45) **Date of Patent:** **** Sep. 30, 2008**

(54) **BOTTLE**

(76) Inventor: **Kjeld Hestehave**, 1841 E. Acacia St.,
Ontario, CA (US) 91761

(**) Term: **14 Years**

(21) Appl. No.: **29/319,670**

(22) Filed: **Jun. 12, 2008**

Related U.S. Application Data

(62) Division of application No. 29/303,344, filed on Feb.
7, 2008, now Pat. No. Des. 573,031.

(51) **LOC (8) Cl.** **09-01**

(52) **U.S. Cl.** **D9/541; D9/542; D9/560;**
D9/571; D9/452

(58) **Field of Classification Search** **D9/516,**
D9/520, 530, 537-546, 549, 553-556, 558,
D9/560, 566-569, 571, 574-575; 215/381-385;
220/660, 662, 669-671, 675

See application file for complete search history.

(56) **References Cited**

U.S. PATENT DOCUMENTS

D24,862 S 11/1895 Abbott

(Continued)

Primary Examiner—Carol Rademaker

(74) *Attorney, Agent, or Firm*—Sheldon Mak Rose &
Anderson; Jeffrey G. Sheldon; Kristin C. Hiibner

(57) **CLAIM**

The ornamental design for a bottle, as shown and described.

DESCRIPTION

FIG. 1 is a bottom, front, and left side perspective view of a
first embodiment of the invention;

FIG. 2 is a left side elevational view thereof, the right side
elevational view being identical;

FIG. 3 is a front elevational view thereof, the back elevational
view being identical;

FIG. 4 is a top plan view thereof;

FIG. 5 is a bottom plan view thereof;

FIG. 6 is a bottom, front, and left side perspective view of the
bottle of FIG. 1 shown with a cap thereon, the front, left side,
right side, and back elevational views of the cap being iden-
tical;

FIG. 7 is a top plan view of the bottle shown in FIG. 6;

FIG. 8 is a top, front, and right side perspective view of a
second embodiment of the invention;

FIG. 9 is a right side elevational view thereof, the left side
elevational view being identical;

FIG. 10 is a front elevational view thereof, the back eleva-
tional view being identical;

FIG. 11 is a top plan view thereof;

FIG. 12 is a bottom plan view of the bottle shown in FIG. 8
and a bottom plan view of the bottle shown in FIG. 15;

FIG. 13 is a left side elevational view of the bottle of FIG. 8
shown with a cap, thereon, the front, left side, right side, and
back elevational views of the cap being identical;

FIG. 14 is a top plan view of the bottle shown in FIG. 13;

FIG. 15 is a top, front, and right side perspective view of a
third embodiment of the invention;

FIG. 16 is a left side elevational view thereof, the right side
elevational view being identical;

FIG. 17 is a front elevational view thereof, the back eleva-
tional view being identical;

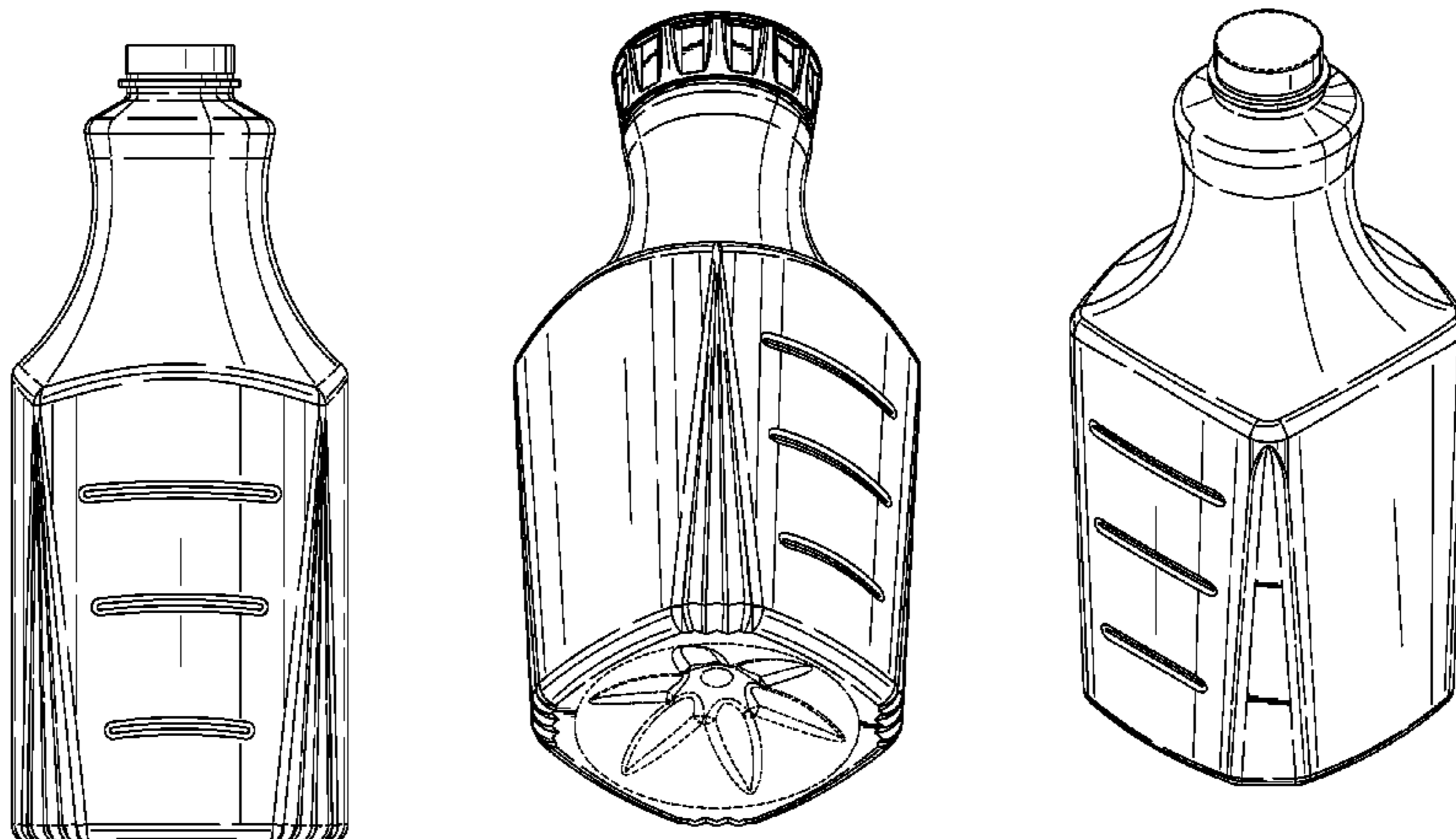
FIG. 18 is a top plan view thereof;

FIG. 19 is a left side elevational view of the bottle of FIG. 15
shown with a cap, thereon, the front, left side, right side, and
back elevational views of the cap being identical; and,

FIG. 20 is a top plan view of the bottle shown in FIG. 19.

The broken lines shown in the drawings are for environmental
purposes only and form no part of the claimed design.

1 Claim, 9 Drawing Sheets



US D577,593 S

Page 2

U.S. PATENT DOCUMENTS					
D85,838 S	12/1931	Noble	6,659,300 B2	12/2003	Wurster et al.
D90,290 S	7/1933	McDonald	D486,739 S	2/2004	Taylor et al.
D233,828 S *	12/1974	Leary D9/541	D488,060 S	4/2004	Yourist
D236,587 S	9/1975	Kretz	6,783,014 B2	8/2004	Luker
D290,323 S	6/1987	Weernink	D502,106 S *	2/2005	Roseberg D9/527
D356,871 S *	3/1995	Dunn D9/452 X	D508,408 S *	8/2005	Roseberg D9/528
D362,182 S	9/1995	Hestehave et al.	6,997,336 B2	2/2006	Yourist et al.
D405,695 S	2/1999	Zelmo	D525,141 S	7/2006	Beard et al.
D415,428 S	10/1999	Keller et al.	D526,209 S	8/2006	Beard et al.
D423,935 S	5/2000	Frazer	D526,210 S	8/2006	Beard et al.
D437,226 S	2/2001	Sadeghi et al.	D526,905 S	8/2006	Beard et al.
D442,089 S	5/2001	Sadeghi et al.	D530,612 S	10/2006	Lohrman et al.
D443,513 S	6/2001	Goettner	D531,042 S *	10/2006	Venkataraman et al. D9/551
D456,272 S	4/2002	Sadeghi et al.	D537,726 S	3/2007	Elgebrant
D457,437 S	5/2002	Sadeghi et al.	D539,158 S	3/2007	Miller et al.
D458,145 S	6/2002	Sadeghi et al.	D539,159 S	3/2007	Slat et al.
D458,146 S	6/2002	Sadeghi et al.	D539,658 S	4/2007	Slat
D458,147 S	6/2002	Sadeghi et al.	7,207,451 B2	4/2007	Taylor et al.
D458,148 S	6/2002	Sadeghi et al.	D542,656 S	5/2007	Szczesniak
D460,695 S	7/2002	Sadeghi et al.	D542,668 S	5/2007	Arthur et al.
D463,287 S	9/2002	Moore et al.	D542,669 S	5/2007	Arthur et al.
D468,213 S	1/2003	Moore et al.	D544,364 S	6/2007	Archeny et al.
D478,289 S	8/2003	Dean et al.	D547,665 S	7/2007	Lepoitevin
D480,315 S	10/2003	Sadeghi et al.	D548,092 S	8/2007	Klemm
D480,644 S	10/2003	Druitt	D551,080 S	9/2007	Pedmo et al.
D481,635 S	11/2003	Lovelace, Jr. et al.	D552,477 S	10/2007	Hernel

* cited by examiner

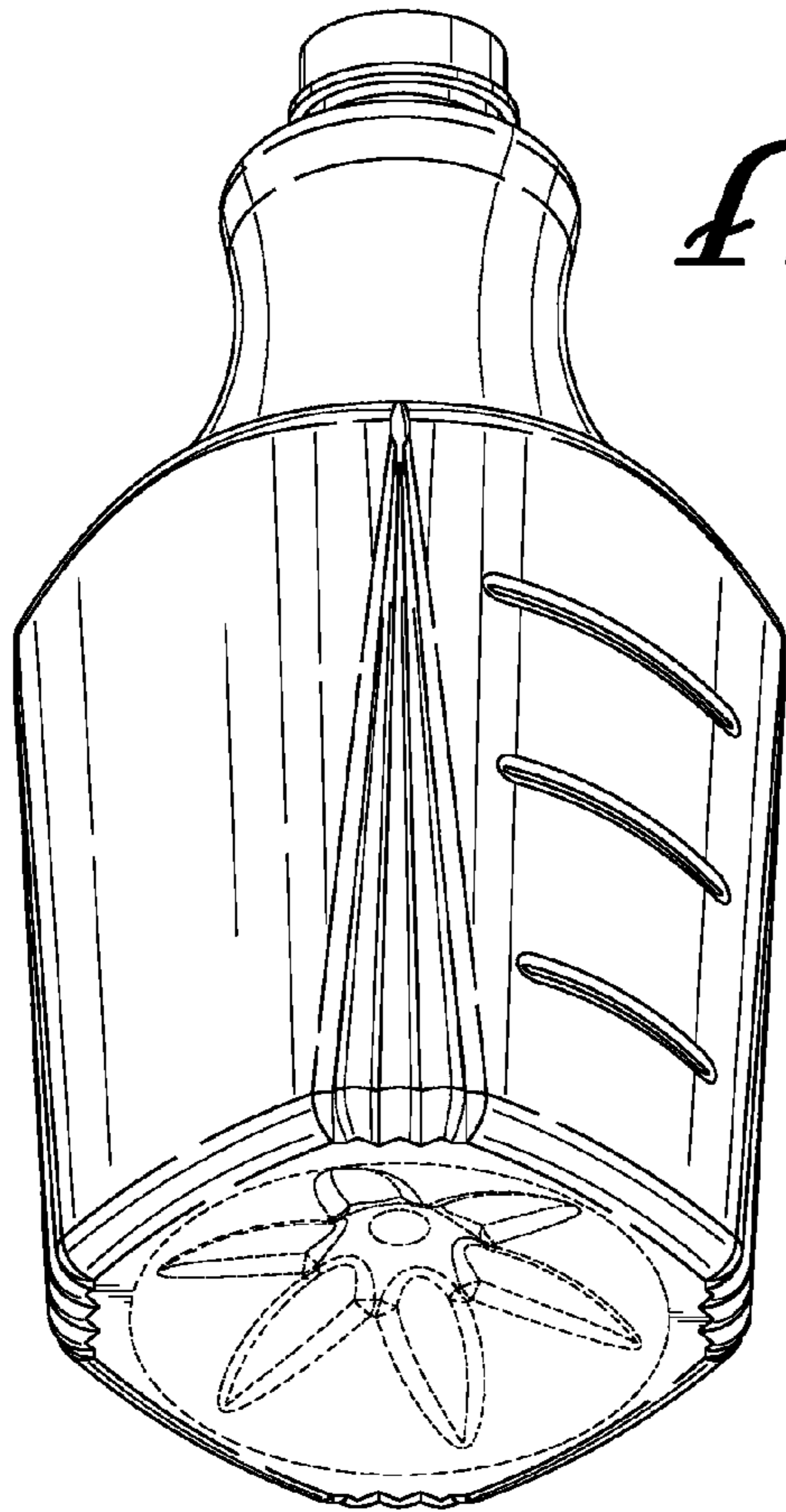


FIG. 1

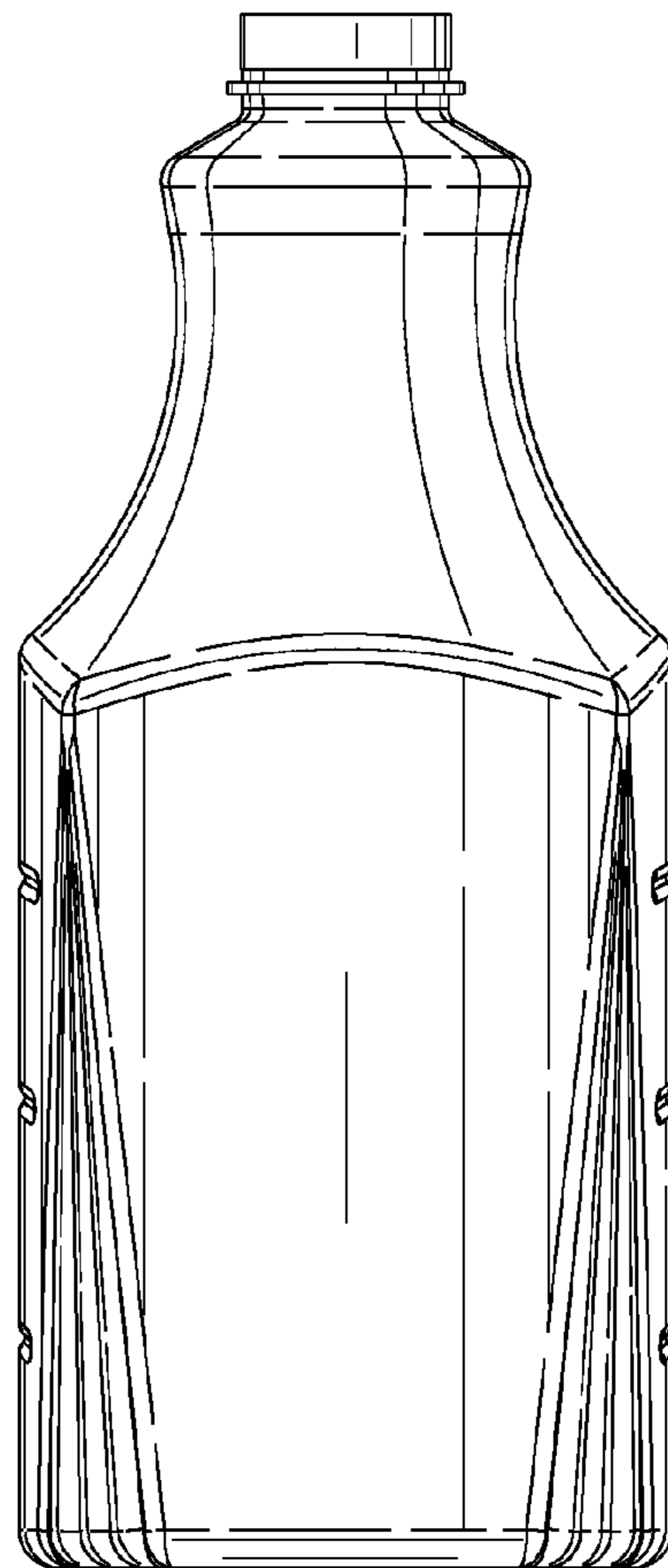


FIG. 2

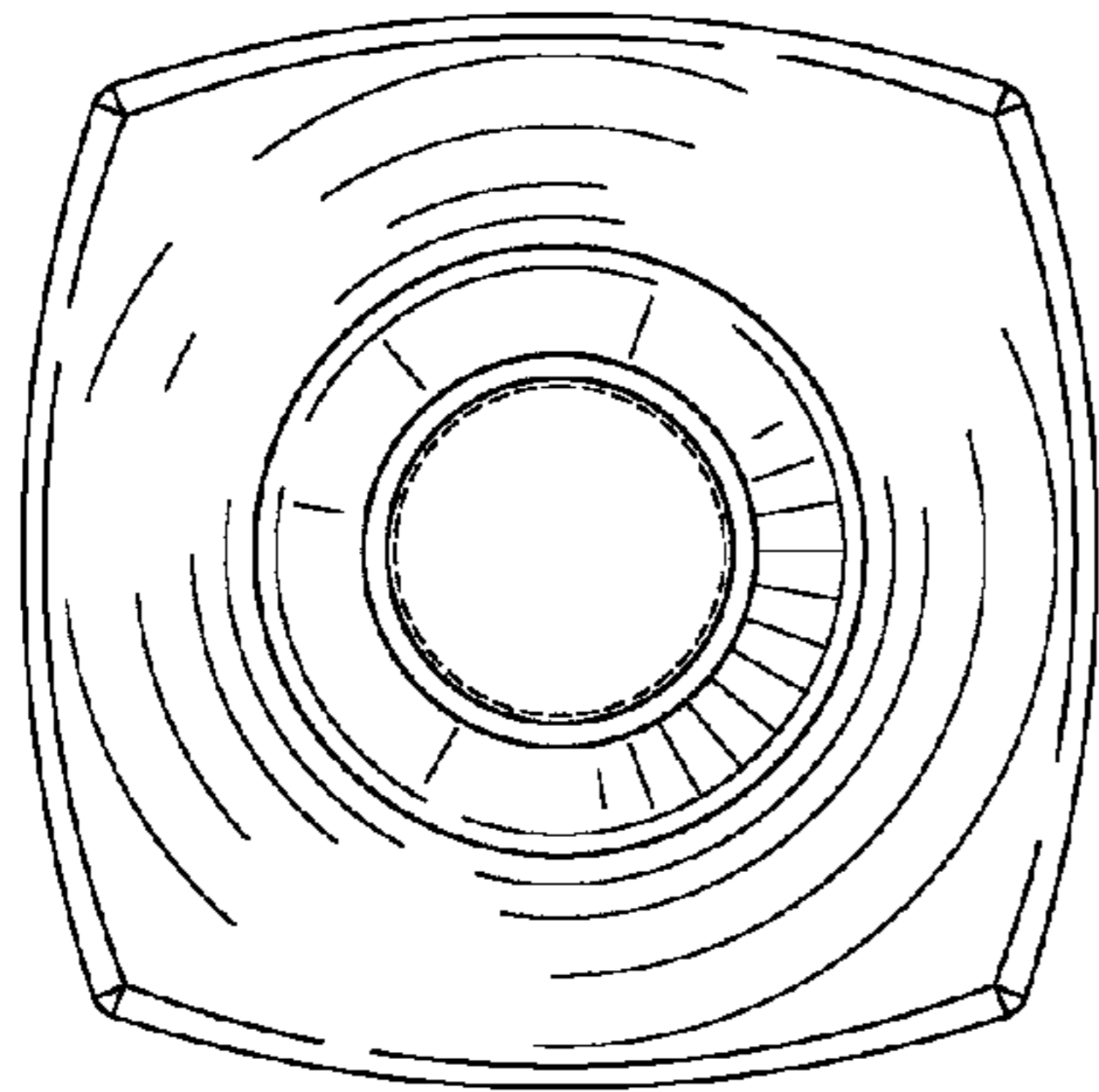


FIG. 4

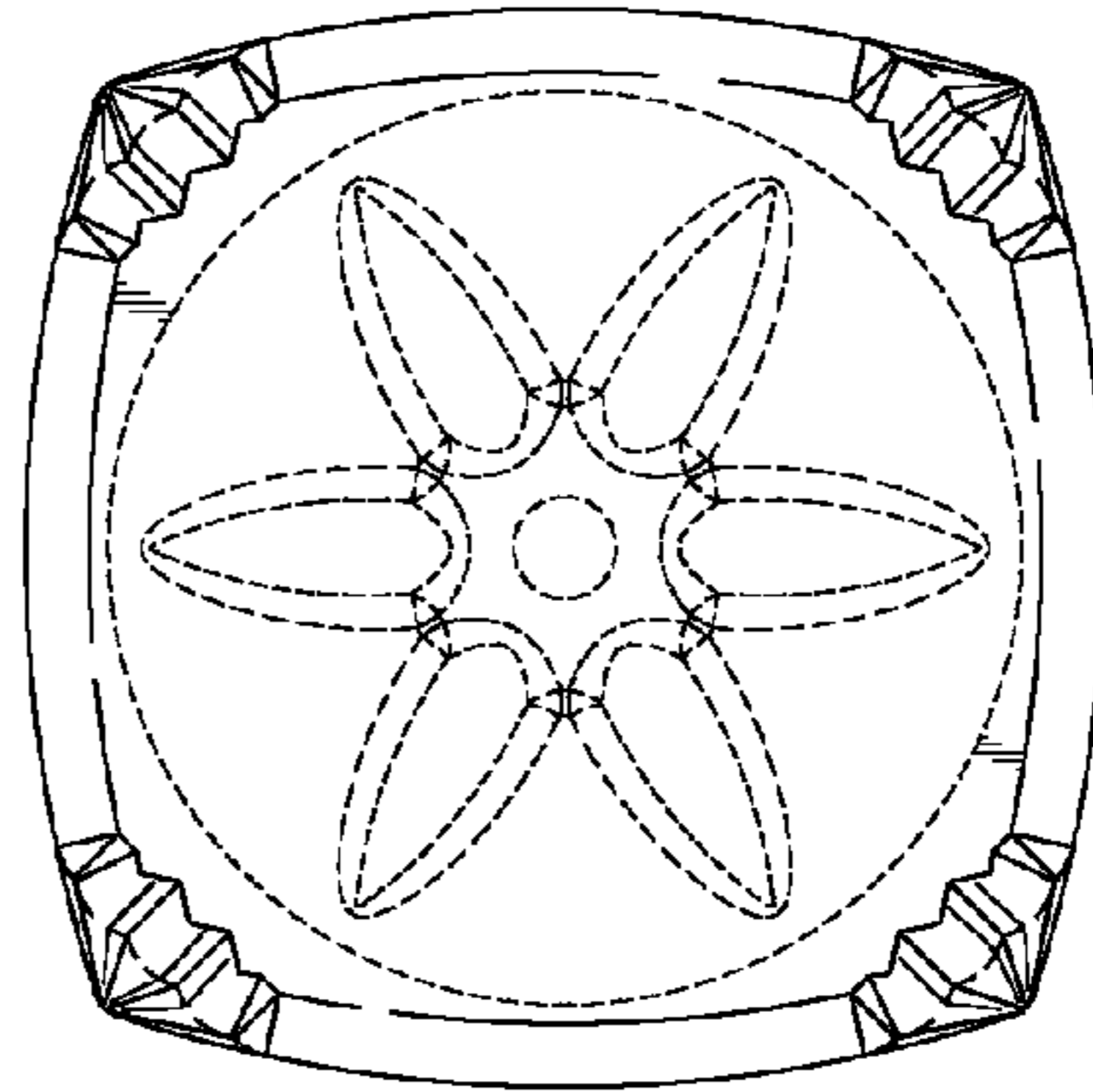


FIG. 5

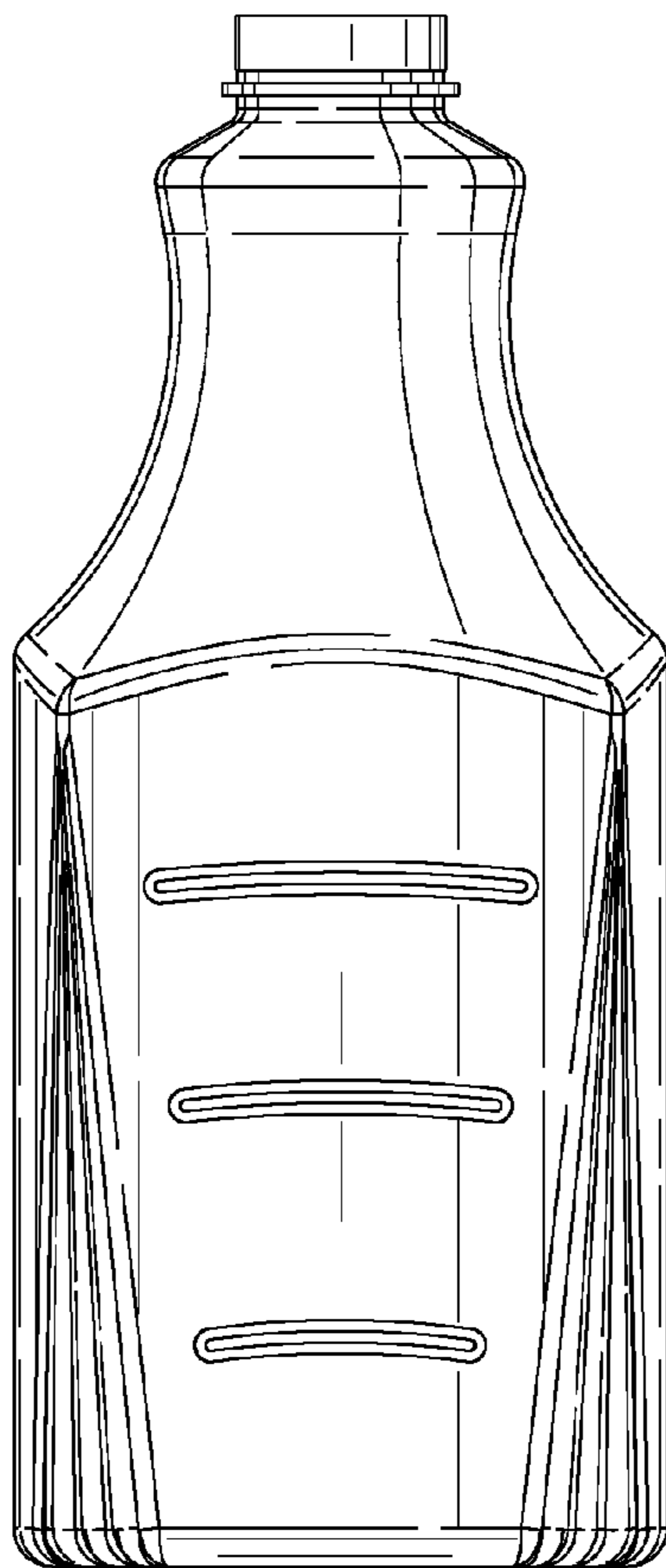


FIG. 3

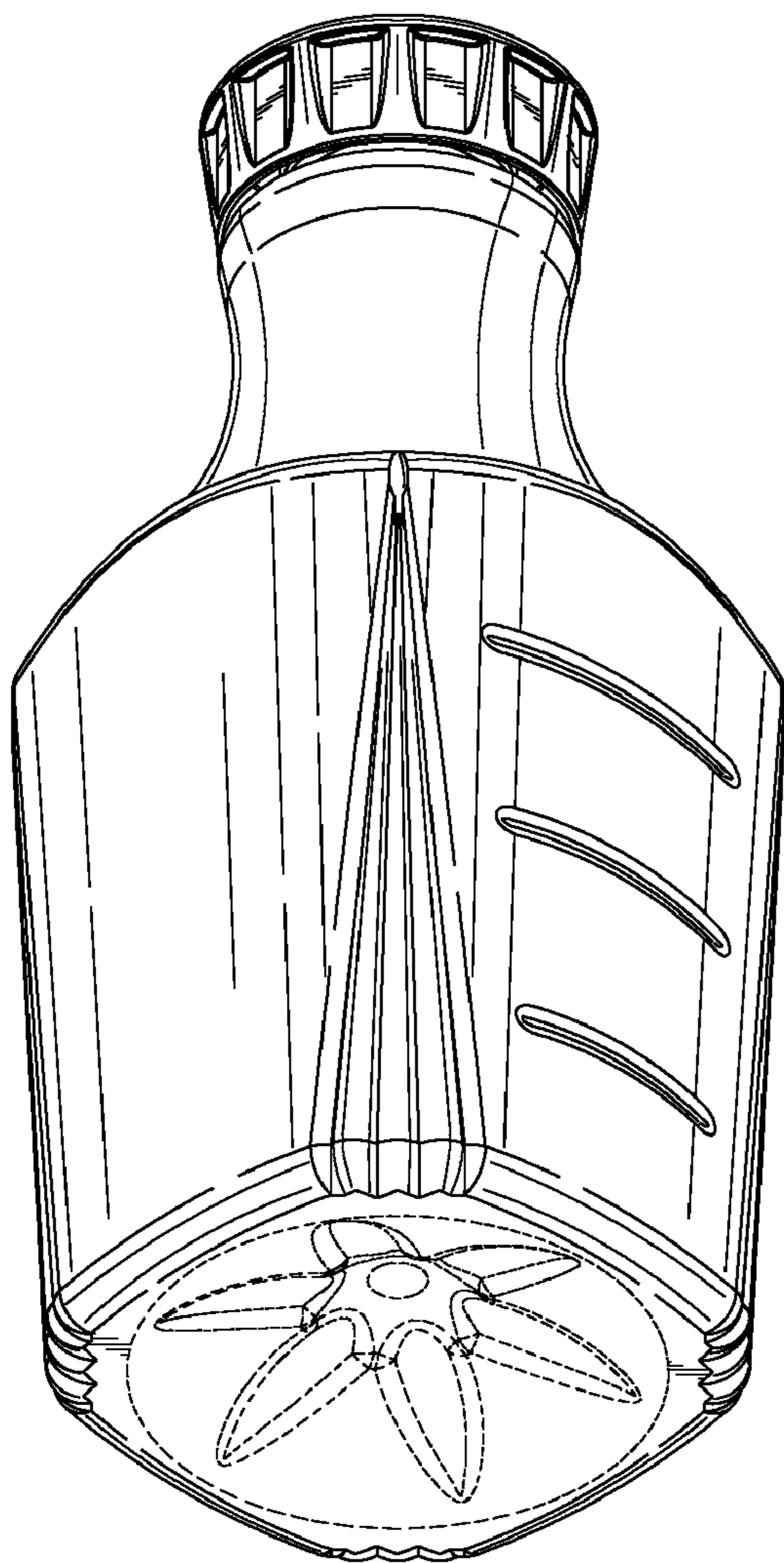
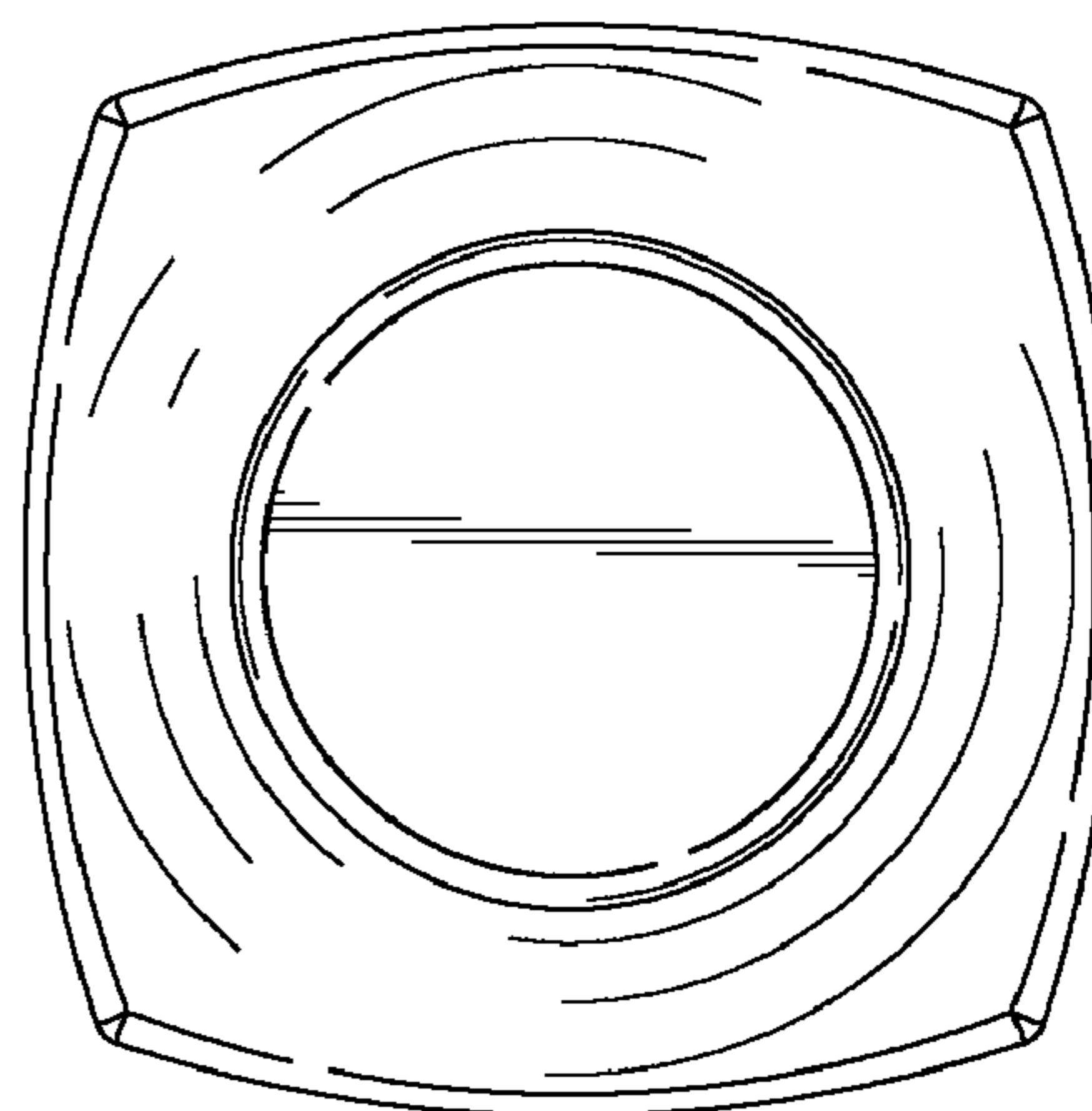


FIG. 6

FIG. 7



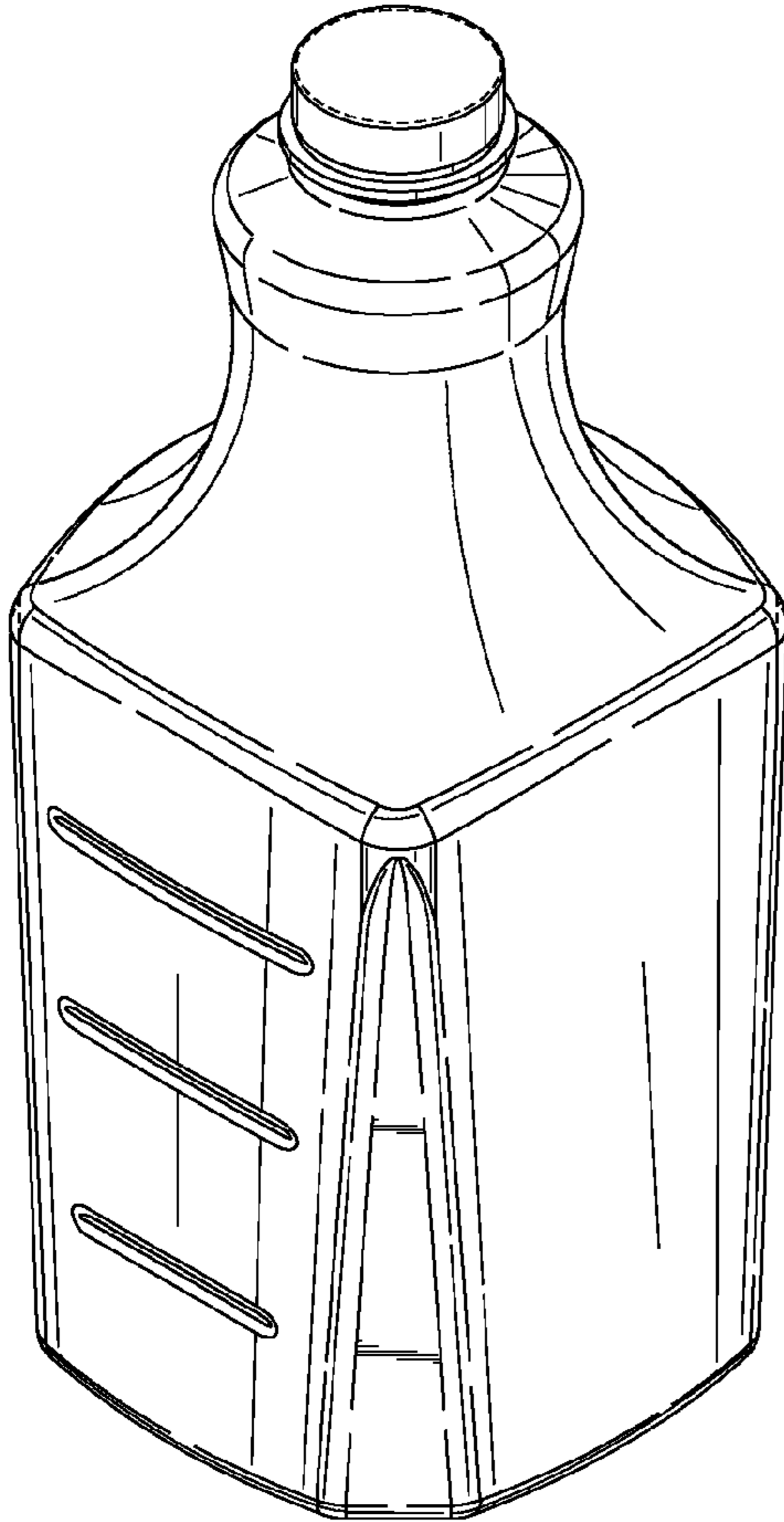


FIG. 8

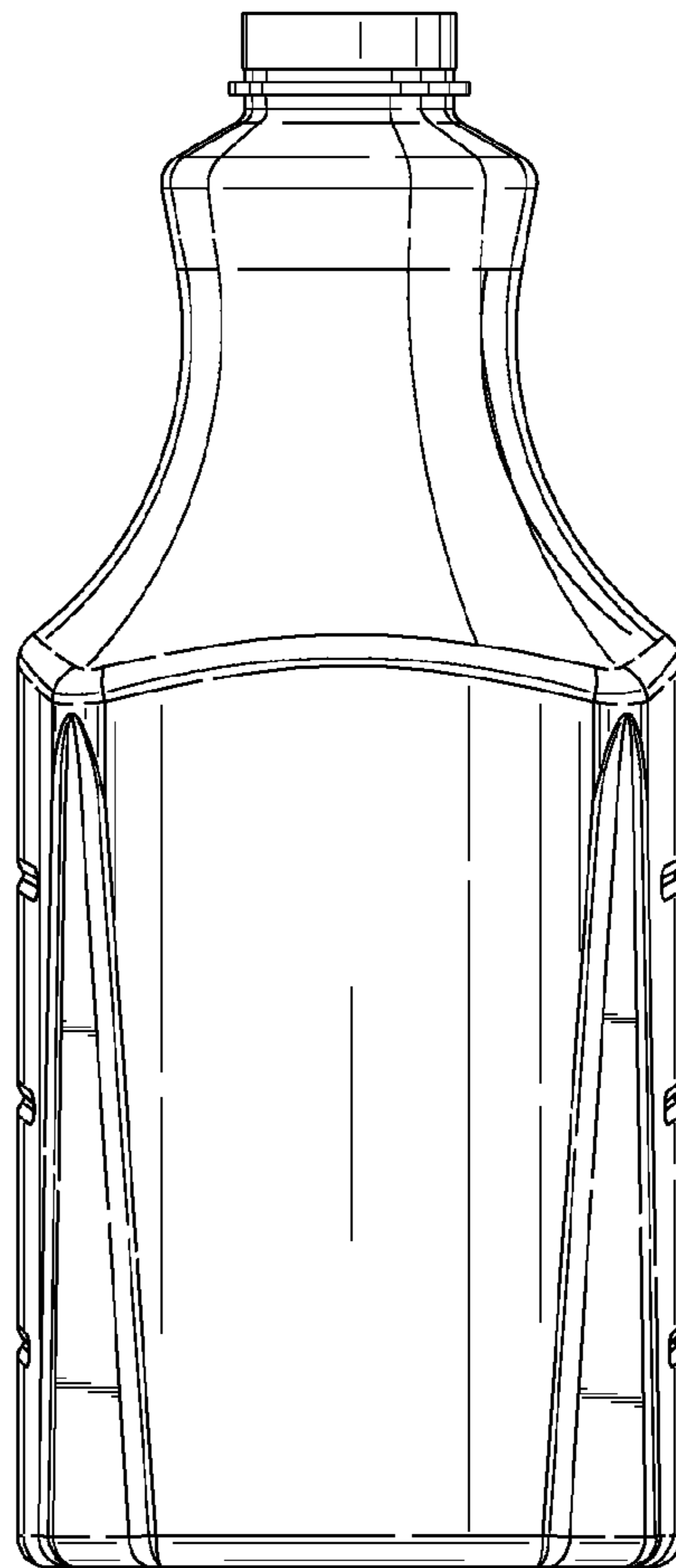


FIG. 9

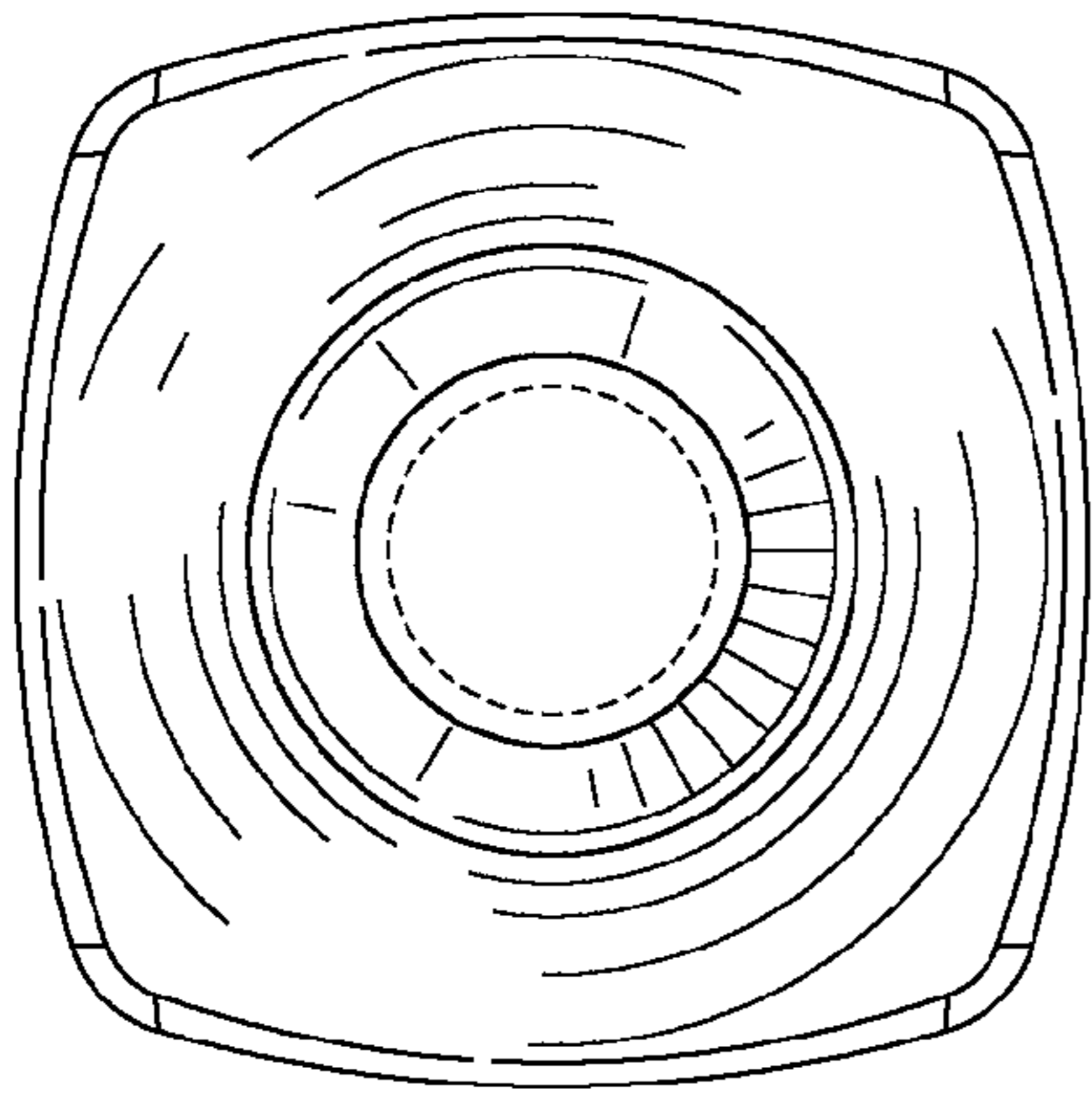


Fig. 11

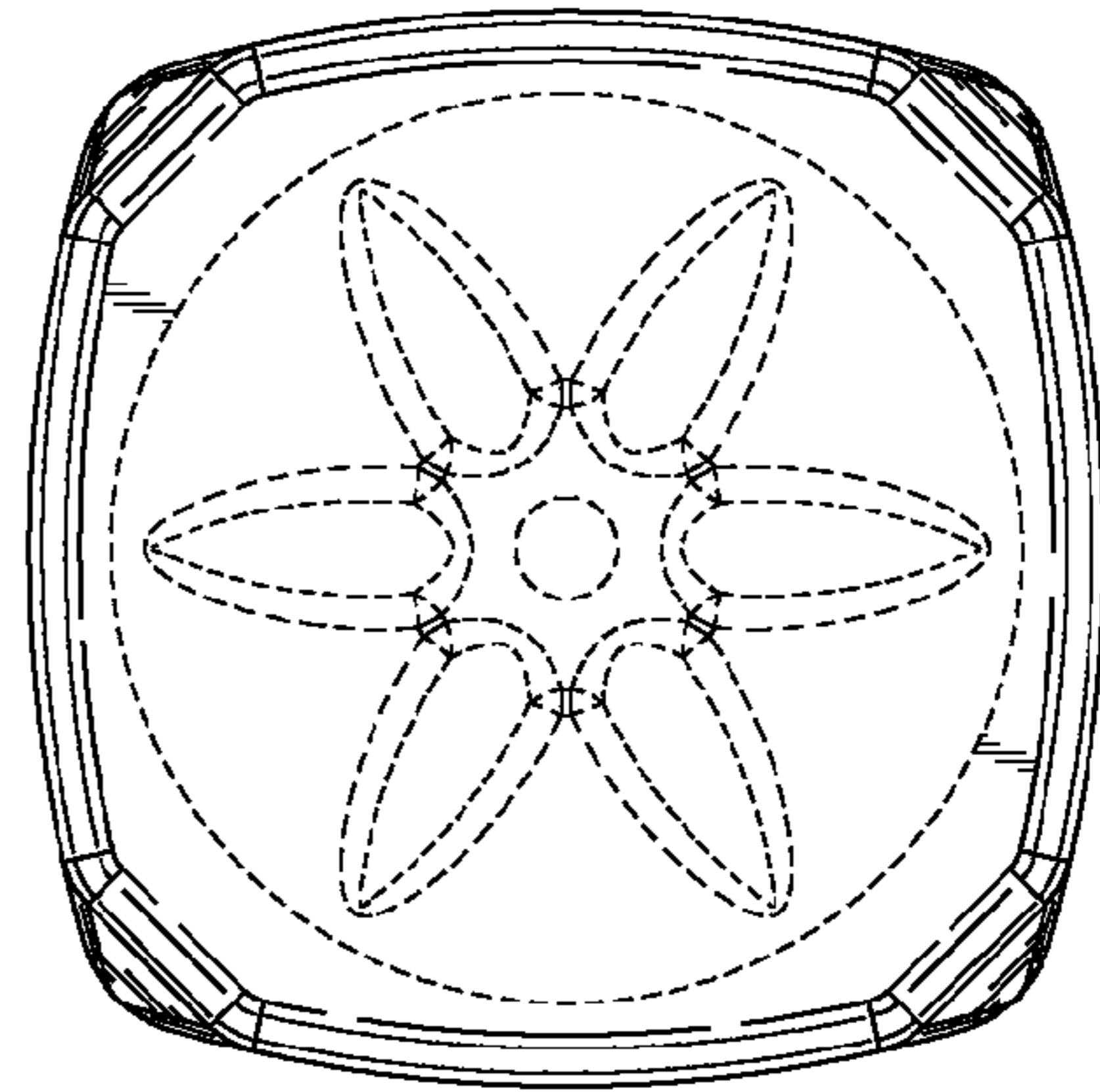


Fig. 12

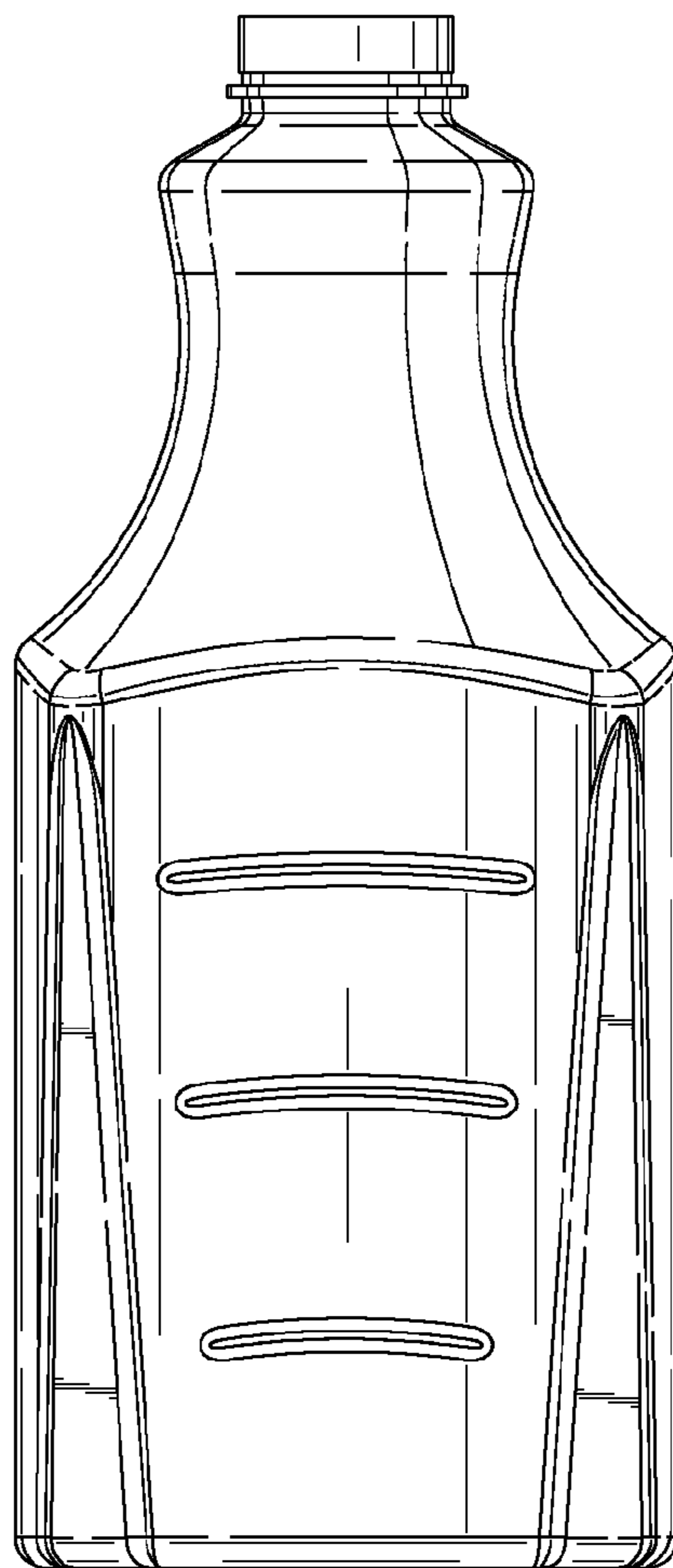


Fig. 10

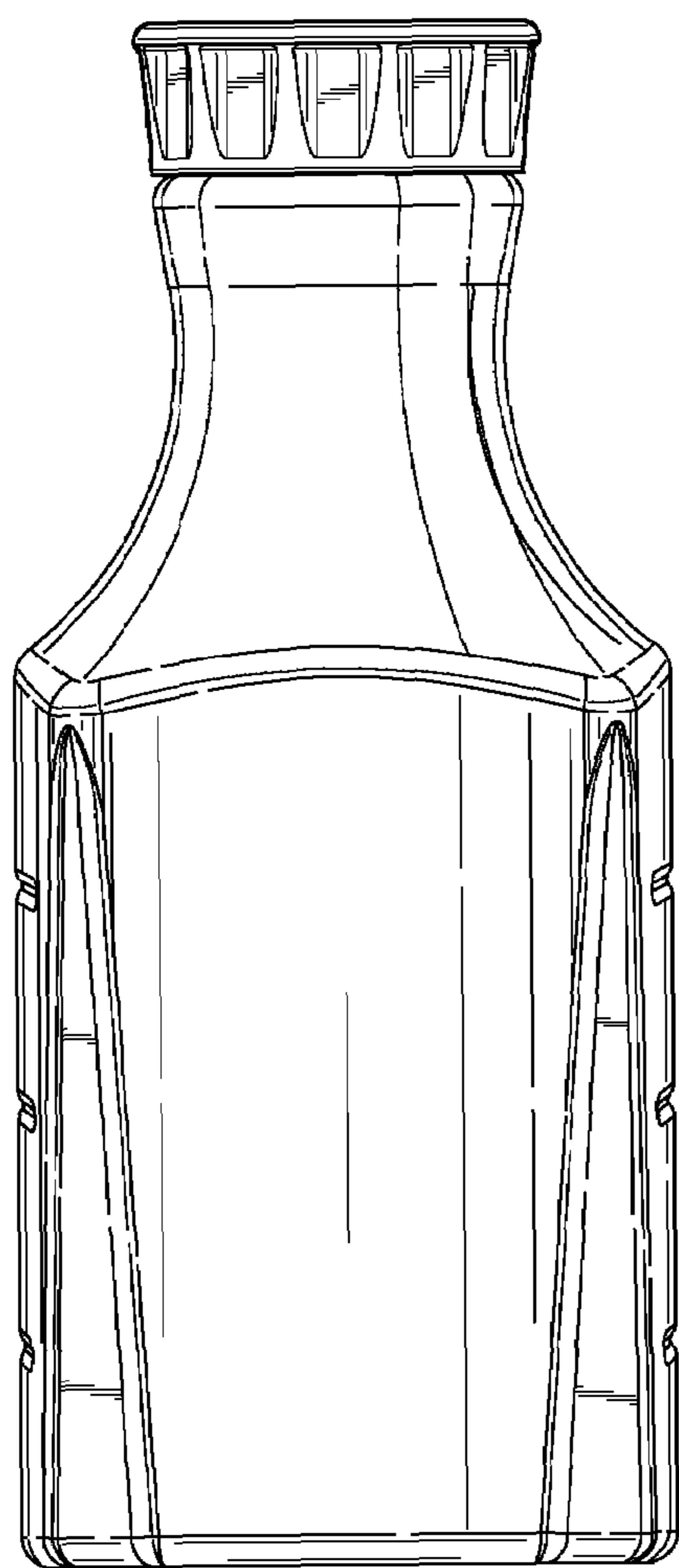
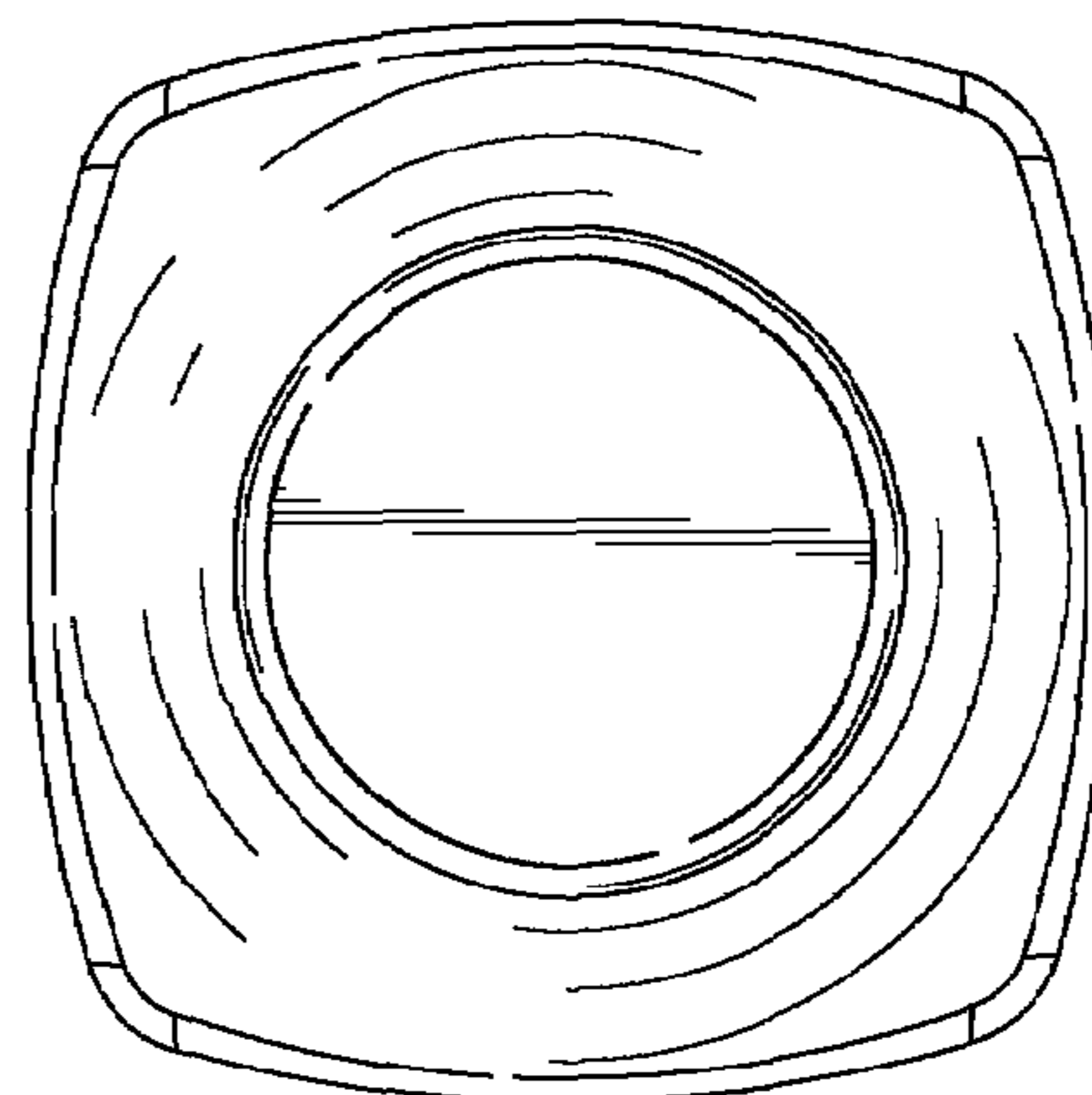


FIG. 13

FIG. 14



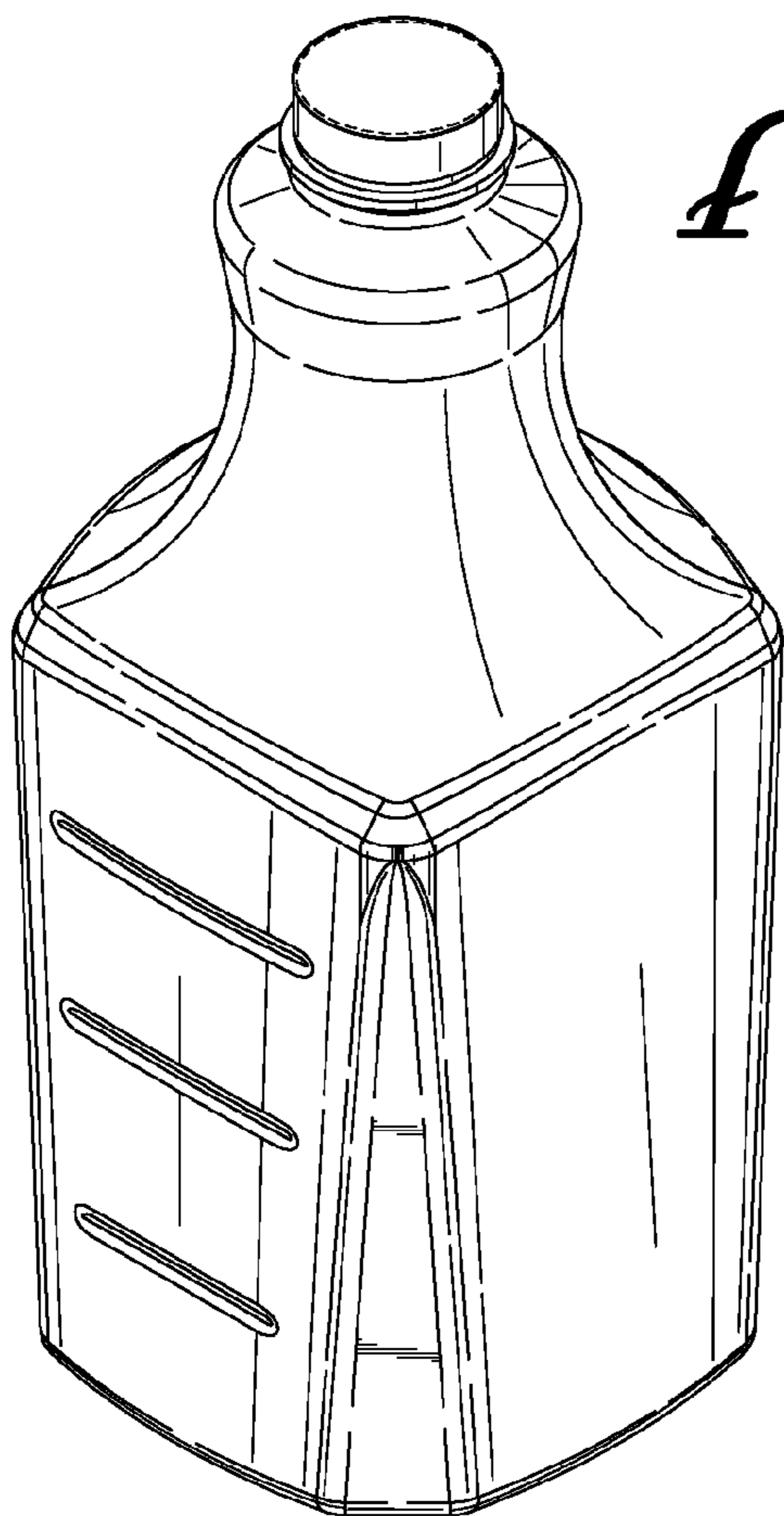


Fig. 15

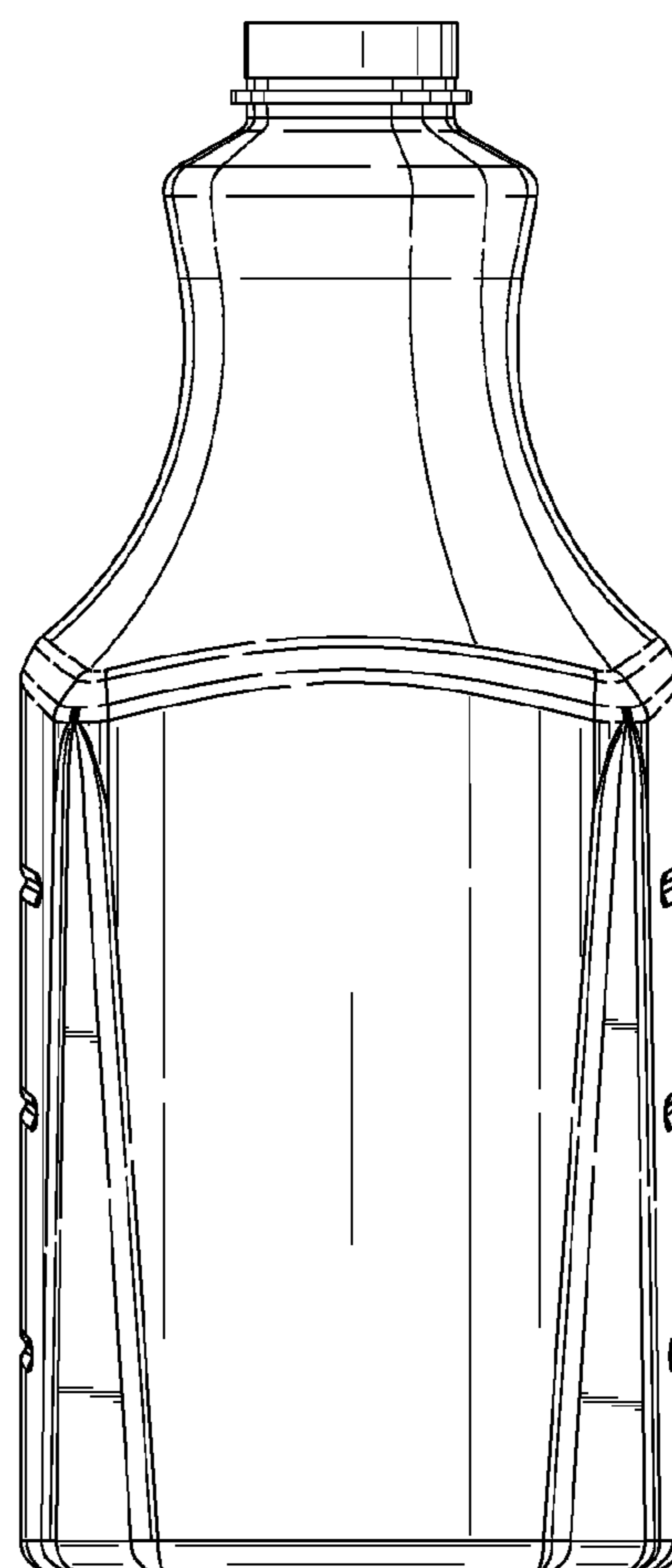


Fig. 16

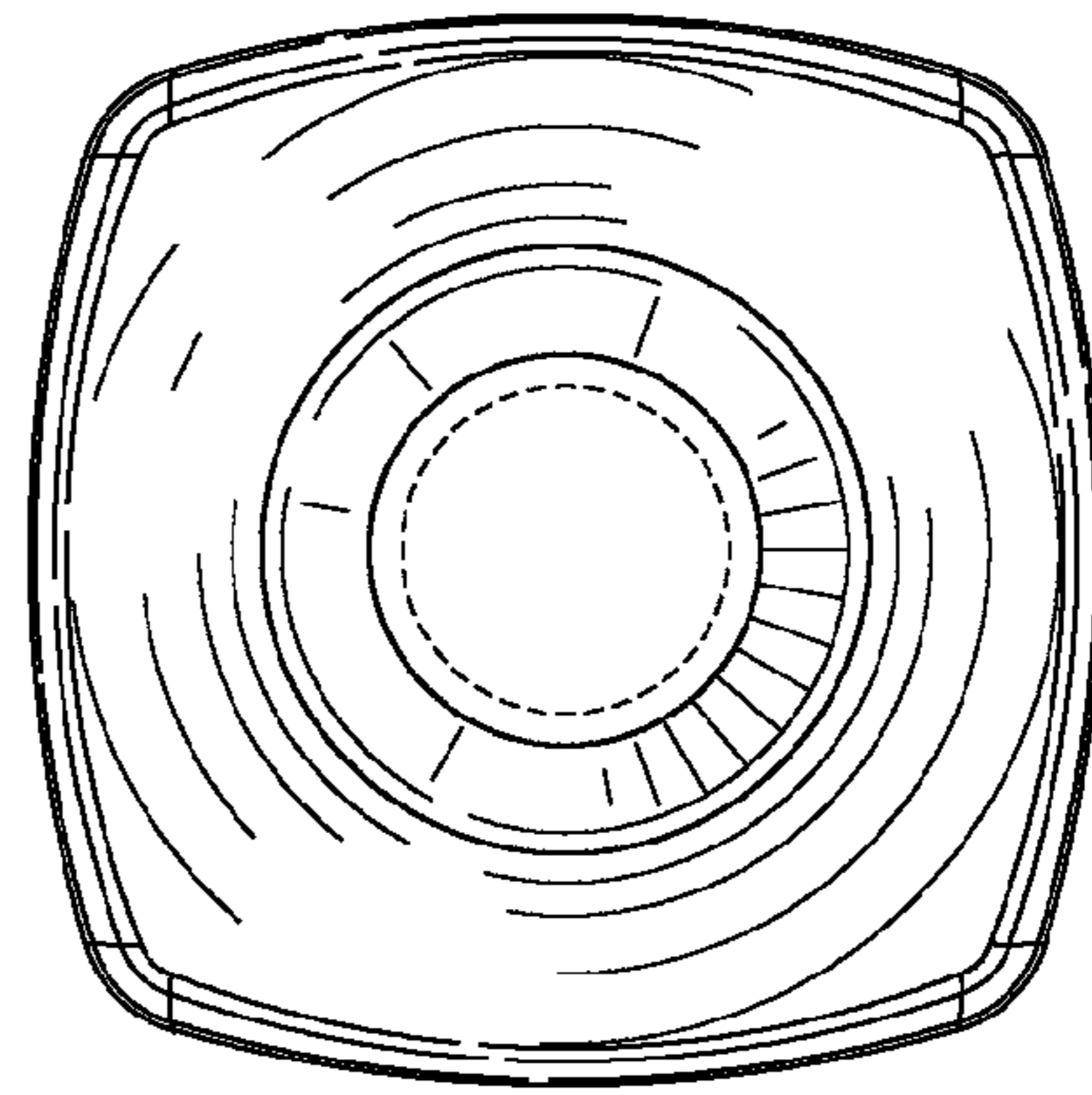


FIG. 18

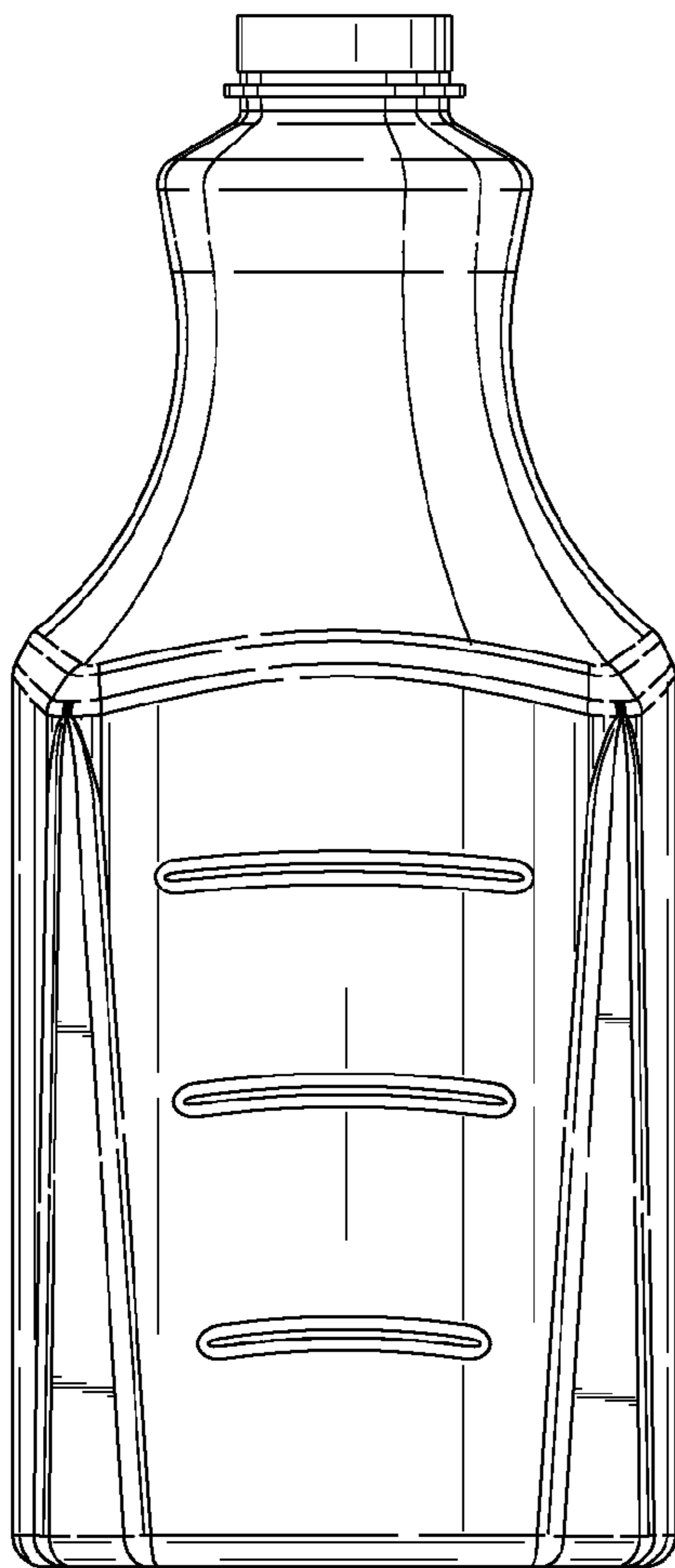


FIG. 17

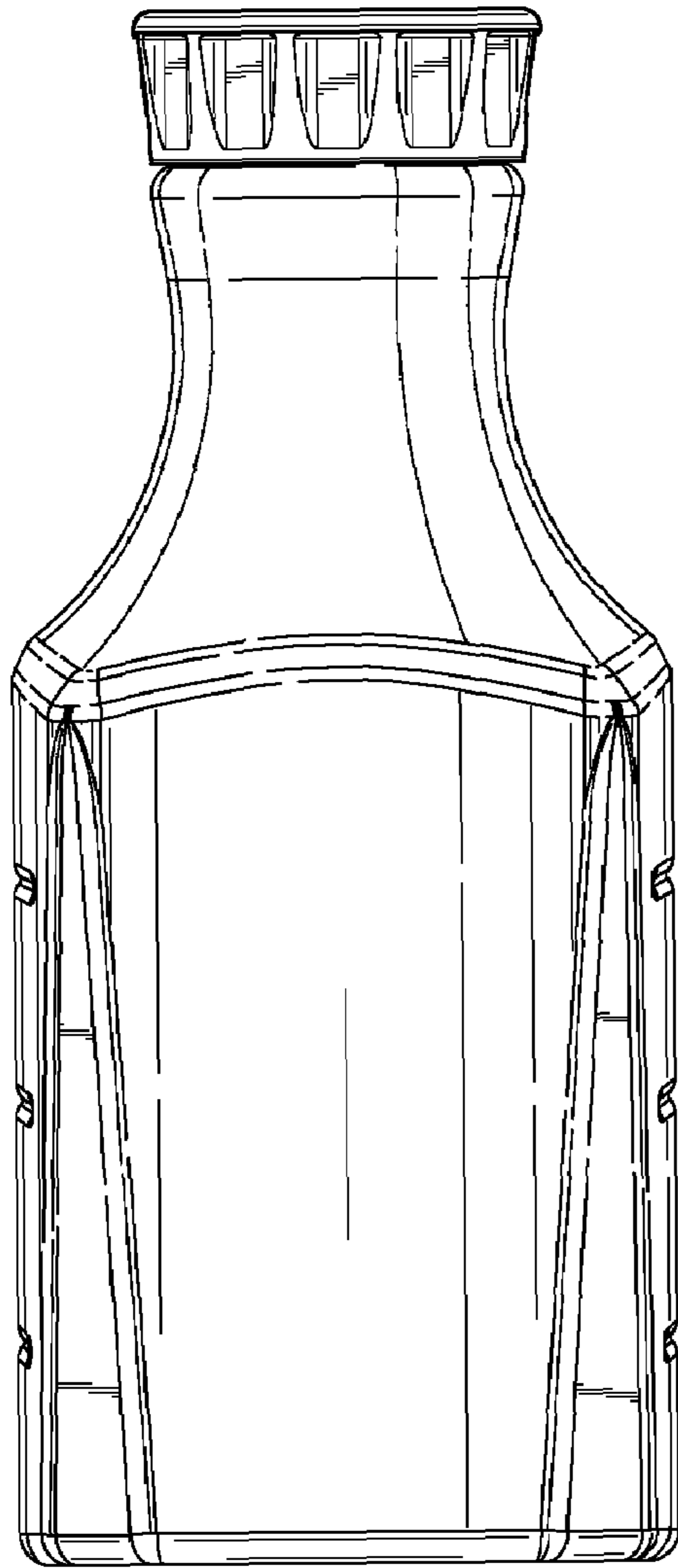


FIG. 19

FIG. 20

