



US00D577587S

(12) **United States Design Patent**
Witte

(10) **Patent No.:** **US D577,587 S**

(45) **Date of Patent:** **** Sep. 30, 2008**

(54) **SPRAY CAP**

(75) **Inventor:** **Alexander Witte**, Bremen (DE)

(73) **Assignee:** **Early Brands GmbH**, Bremen (DE)

(**) **Term:** **14 Years**

(21) **Appl. No.:** **29/297,108**

(22) **Filed:** **Nov. 5, 2007**

(30) **Foreign Application Priority Data**

May 30, 2007 (EM) 000732045-0001

May 30, 2007 (EM) 000732045-0002

(51) **LOC (8) Cl.** **09-07**

(52) **U.S. Cl.** **D9/448; D9/447**

(58) **Field of Classification Search** D9/754,
D9/753, 752, 741, 728, 724, 697, 695, 529,
D9/524, 516, 454, 447, 445, 444, 442, 443,
D9/440, 439, 435, 434, 441, 686-693, 448,
D9/438; D7/679, 590-597, 511, 510, 401.1,
D7/398; 241/169, 169.1, 168; 229/906.1;
222/567, 566, 545, 482, 480, 356, 151, 149,
222/142.1-142.9, 635, 494, 491; 220/713,
220/254.1, 703, 269, 200, 234, 295, 304,
220/310.1, 378, 795, 804, 849, DIG. 19,
220/DIG. 4, DIG. 7, 915; D23/260, 259;
215/200, 231, 234, 364, DIG. 1; D24/216,
D24/222, 224, 231; D19/57, 43; D28/7,
D28/57

See application file for complete search history.

(56) **References Cited**

U.S. PATENT DOCUMENTS

2,974,880	A *	3/1961	Stewart et al.	239/493
3,255,931	A *	6/1966	Park et al.	222/182
D394,809	S *	6/1998	Lonczak et al.	D9/448
D526,898	S *	8/2006	Isono et al.	D9/435
D531,500	S *	11/2006	Perry et al.	D9/434
D564,874	S *	3/2008	Mangin et al.	D9/434

* cited by examiner

Primary Examiner—Gary D. Watson

Assistant Examiner—Susan B Hattan

(74) *Attorney, Agent, or Firm*—Smartpat PLC

(57) **CLAIM**

I claim the ornamental design for a spray cap, as shown.

DESCRIPTION

FIG. 1 is a perspective view of spray cap showing my new design;

FIG. 2 is a front view of the spray cap;

FIG. 3 is a right side view of the spray cap;

FIG. 4 is a back view of the spray cap;

FIG. 5 is a top view of the spray cap; and,

FIG. 6 is a left side view of the spray cap.

1 Claim, 2 Drawing Sheets

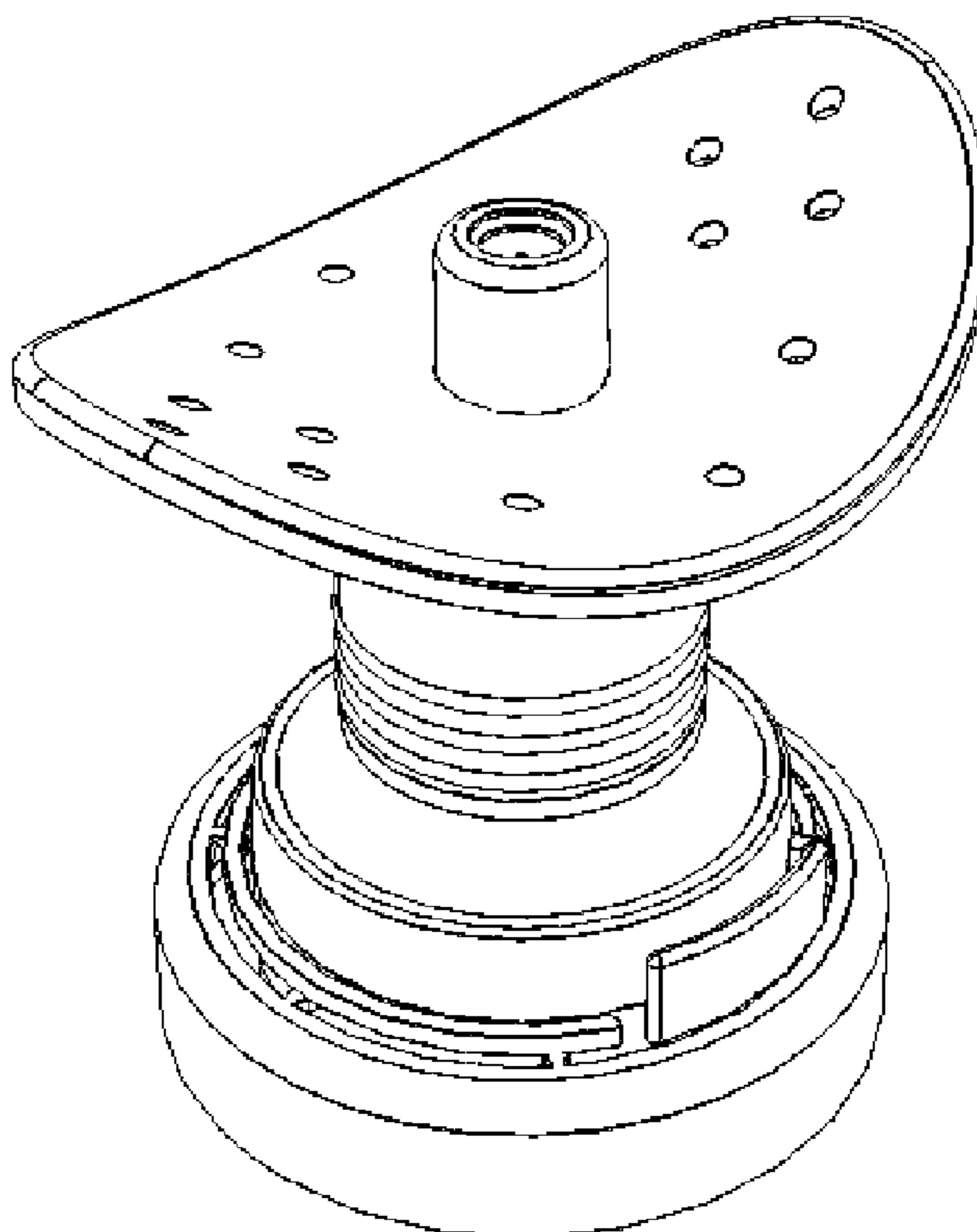


FIG. 1

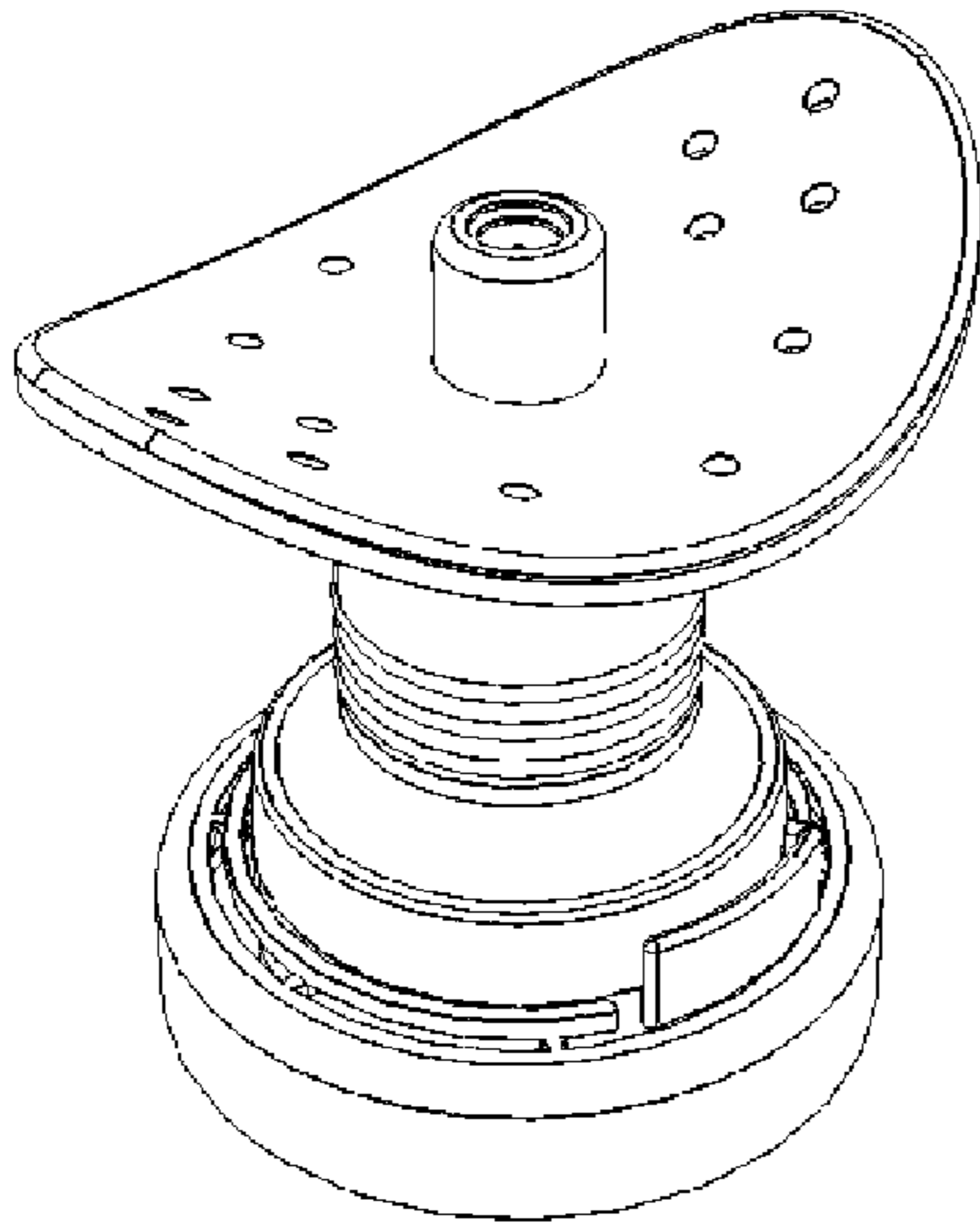


FIG. 2

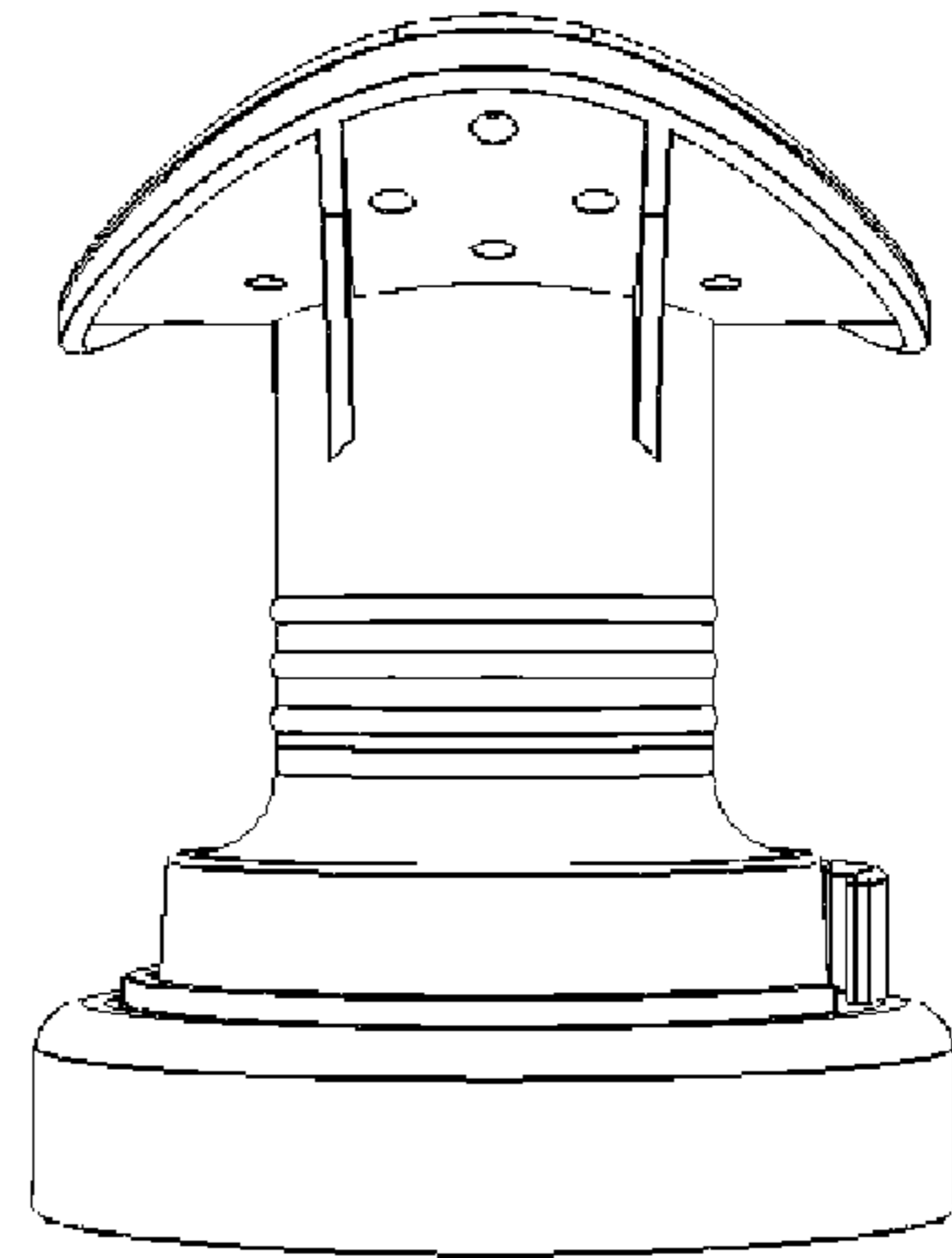


FIG. 3

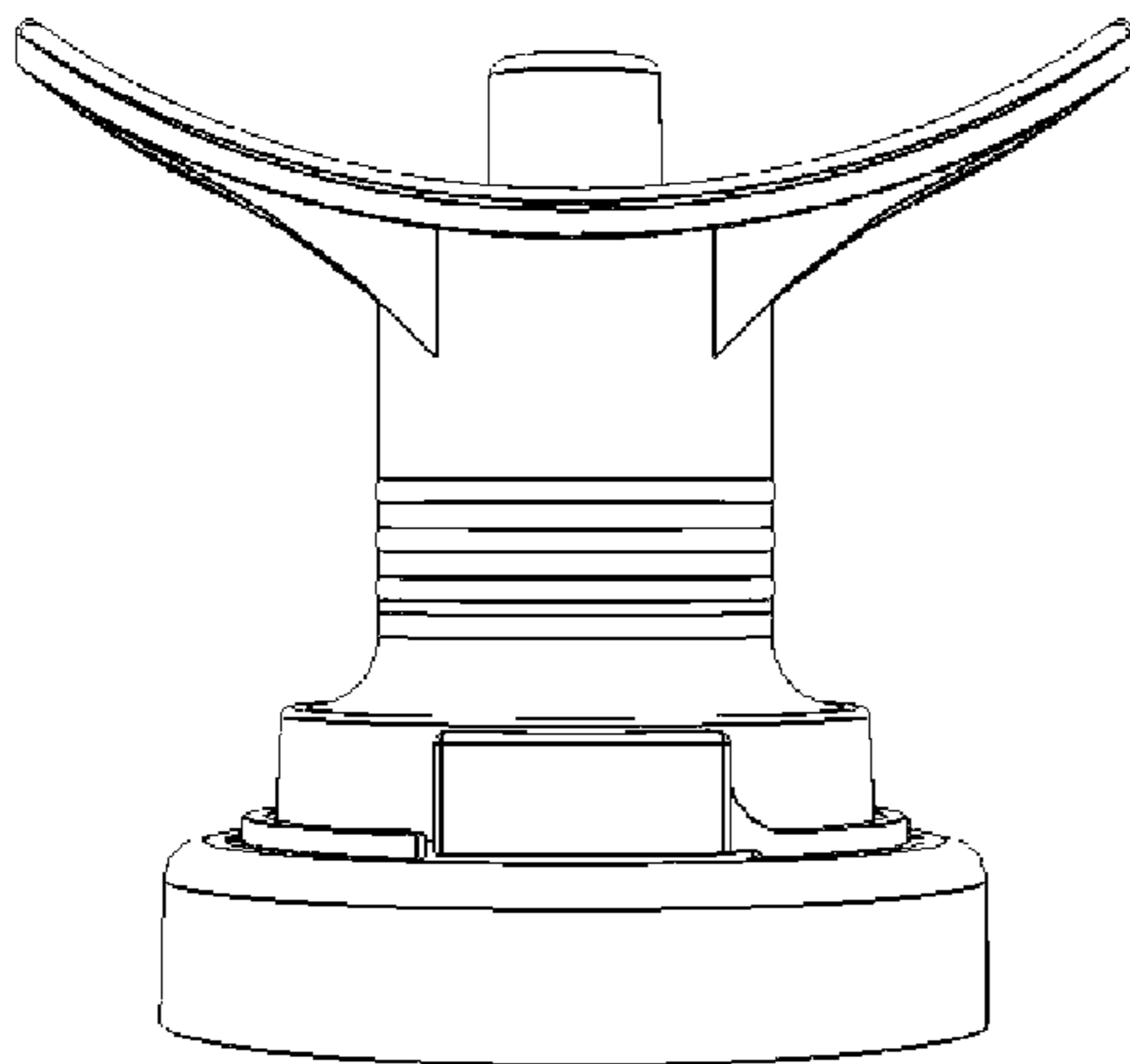


FIG. 4

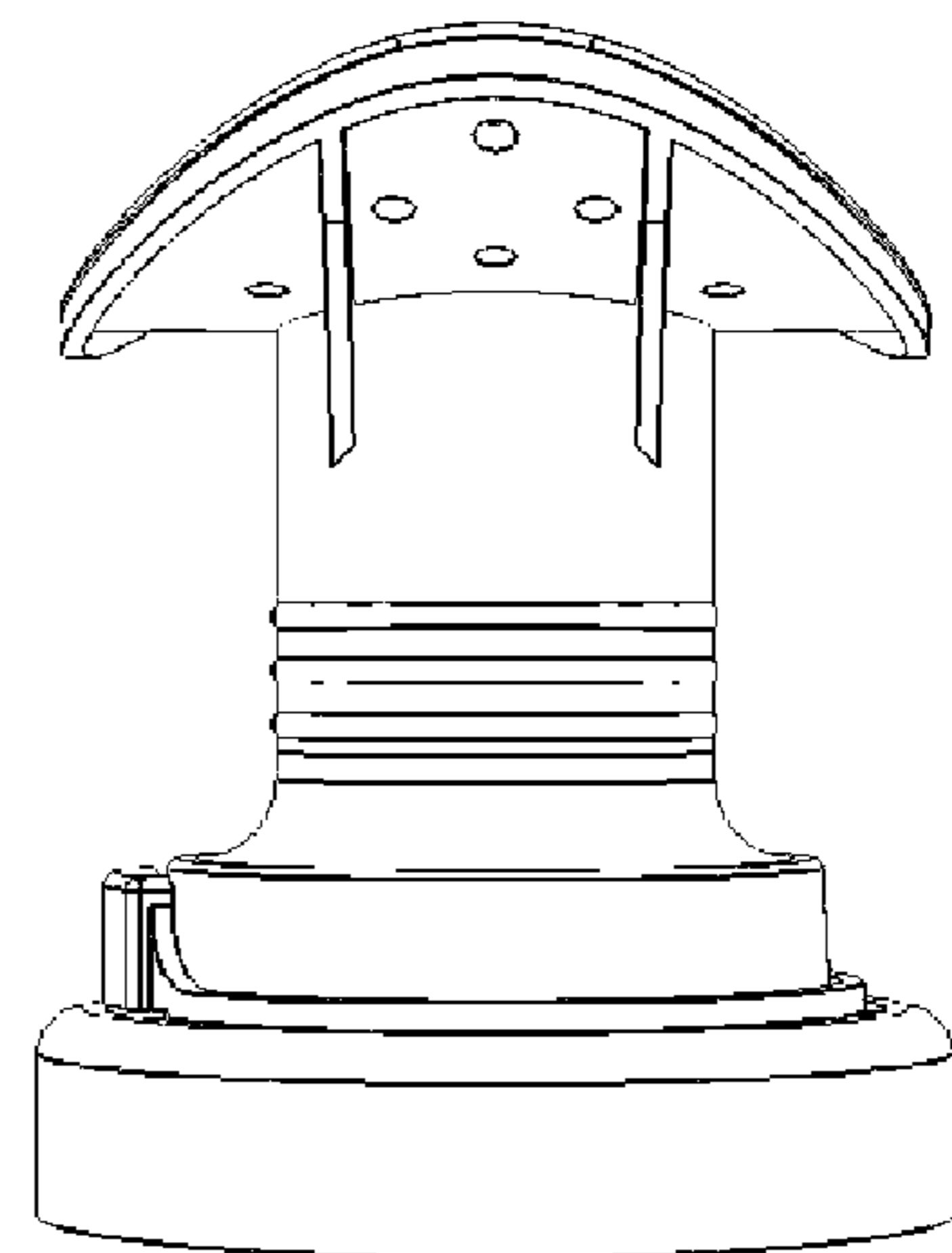


FIG. 5

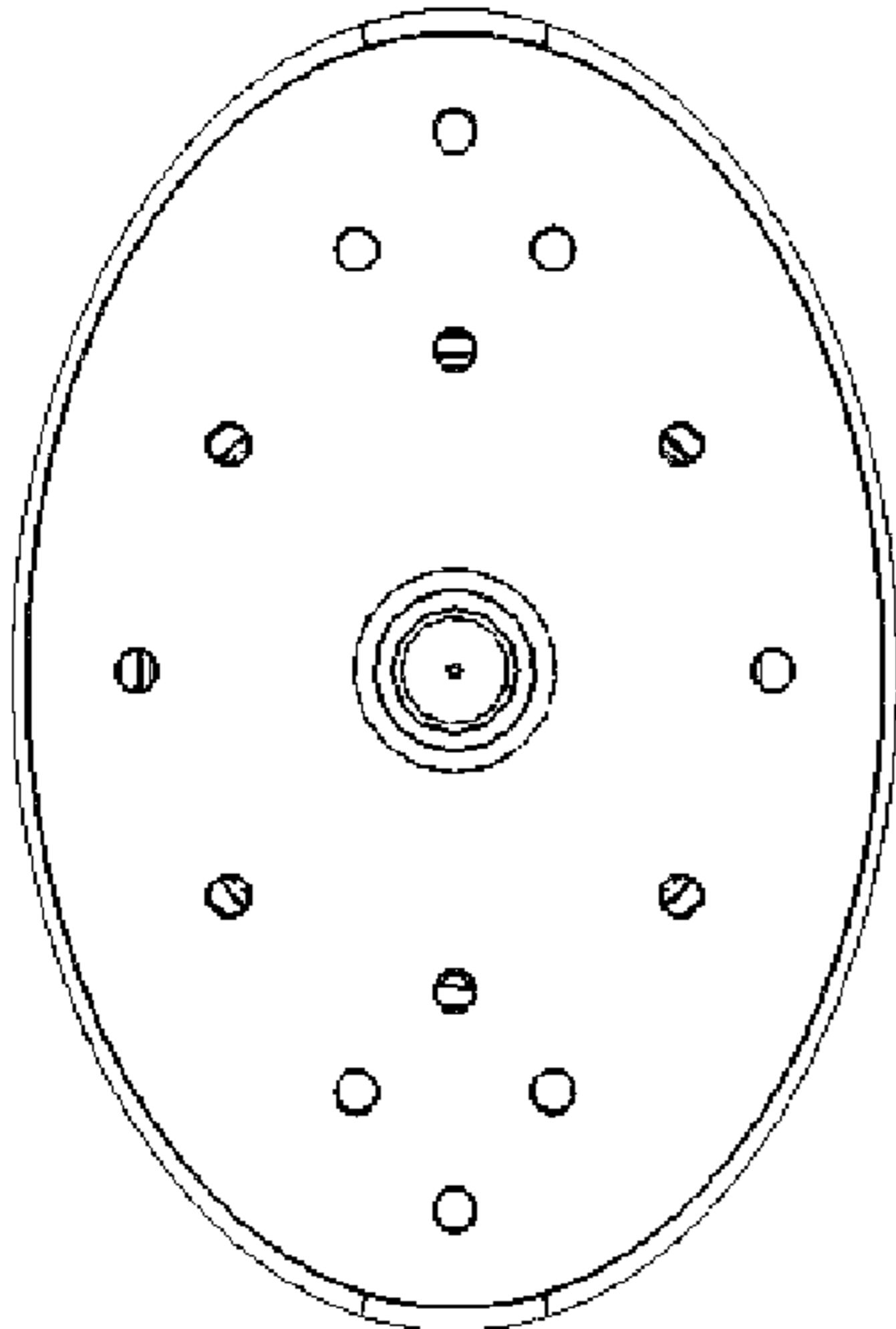


FIG. 6

