



US00D577585S

(12) **United States Design Patent**
Carnduff et al.

(10) **Patent No.:** **US D577,585 S**

(45) **Date of Patent:** **** Sep. 30, 2008**

(54) **DISPENSING CLOSURE**

(75) Inventors: **Ian Andrew Carnduff**, New York, NY (US); **Ian Josiah Swanson**, New York, NY (US)

(73) Assignee: **The Procter & Gamble Company**, Cincinnati, OH (US)

(**) Term: **14 Years**

(21) Appl. No.: **29/291,463**

(22) Filed: **Aug. 30, 2007**

(51) **LOC (8) Cl.** **09-17**

(52) **U.S. Cl.** **D9/447**

(58) **Field of Classification Search** D9/754,
D9/753, 752, 741, 728, 724, 697, 695, 529,
D9/524, 516, 454, 447, 445, 444, 442, 443,
D9/440, 439, 435, 434, 441; D7/679, 590-597,
D7/511, 510, 401.1, 398; 241/169, 169.1,
241/168; 229/906.1; 222/567, 566, 545,
222/482, 480, 356, 151, 149, 142.1-142.9;
220/713, 254.1, 703, 269, 200, 234, 295,
220/304, 310.1, 378, 795, 804, 849, DIG. 19,
220/DIG. 4, DIG. 7; D23/260, 259; 215/200,
215/231, 234, 364; D24/216, 222, 224, 231
See application file for complete search history.

(56) **References Cited**

U.S. PATENT DOCUMENTS

D188,466 S * 7/1960 Silverman et al. D7/591
D245,750 S * 9/1977 Maclean D7/591
D247,151 S * 2/1978 McBride D7/591
D257,819 S * 1/1981 Morin D7/591

D306,563 S 3/1990 Johnson
D319,979 S 9/1991 Johnson
D321,127 S * 10/1991 Dombroski D9/697
D408,736 S * 4/1999 Wilson et al. D9/447
D435,218 S * 12/2000 Kreiseder et al. D9/447
D475,920 S * 6/2003 Poon et al. D9/445
D530,623 S * 10/2006 Shurtleff et al. D9/728
D540,186 S * 4/2007 Cummings D9/728
D551,571 S * 9/2007 McConville et al. D9/728
2007/0205233 A1 * 9/2007 Petit et al. 222/545

* cited by examiner

Primary Examiner—Gary D. Watson

Assistant Examiner—Susan Bennett Hattan

(74) *Attorney, Agent, or Firm*—Andrew J. Hagerty; Brian M. Bolam; Tara M. Rosnell

(57) **CLAIM**

The ornamental design for a dispensing closure, as shown and described.

DESCRIPTION

FIG. 1 is front perspective view of a dispensing closure embodying our new design;

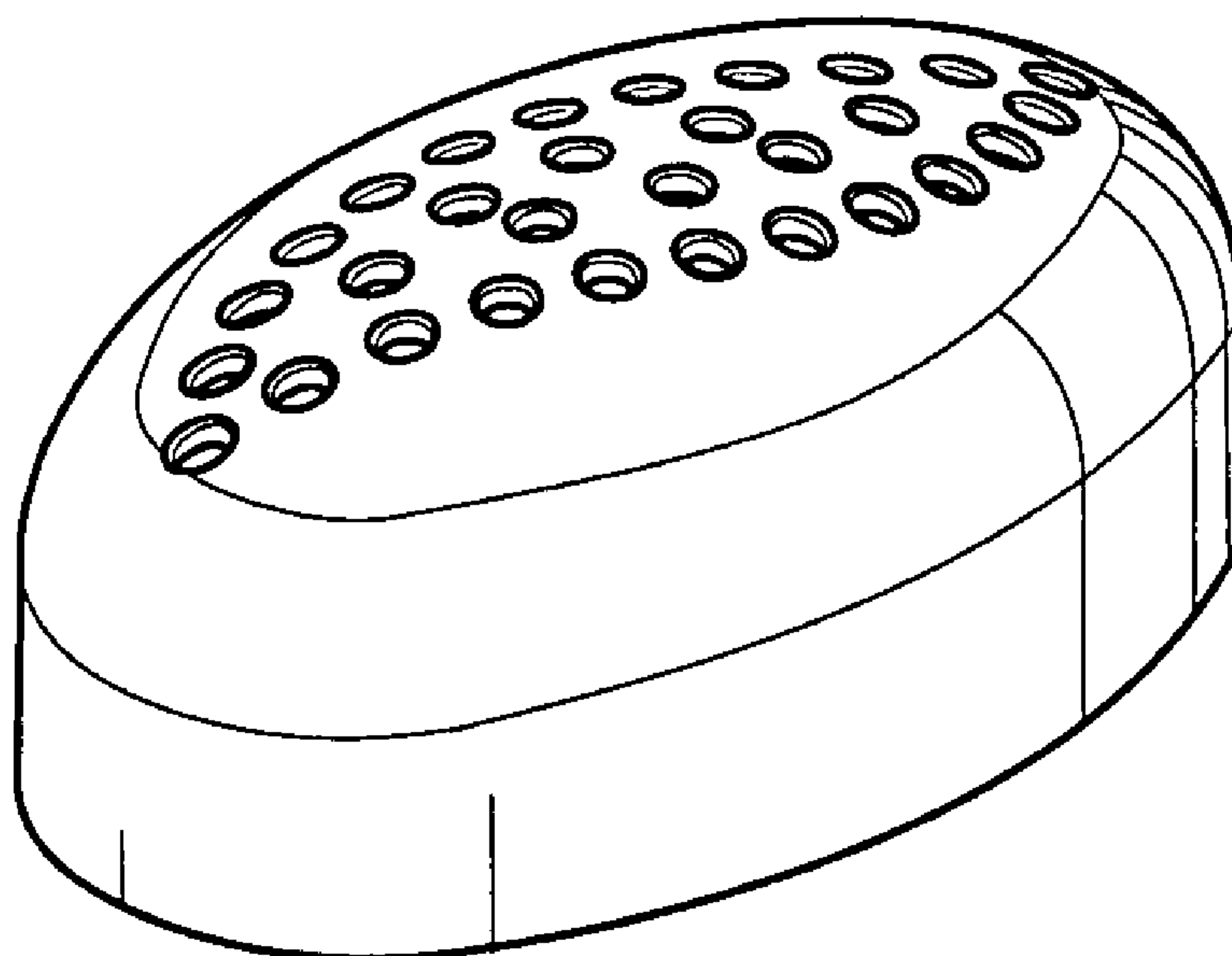
FIG. 2 is a front/rear elevation view of the dispensing closure shown in FIG. 1;

FIG. 3 is a side elevation view of the dispensing closure shown in FIG. 1;

FIG. 4 is a top view of the dispensing closure shown in FIG. 1; and,

FIG. 5 is a bottom view of the dispensing closure shown in FIG. 1.

1 Claim, 3 Drawing Sheets



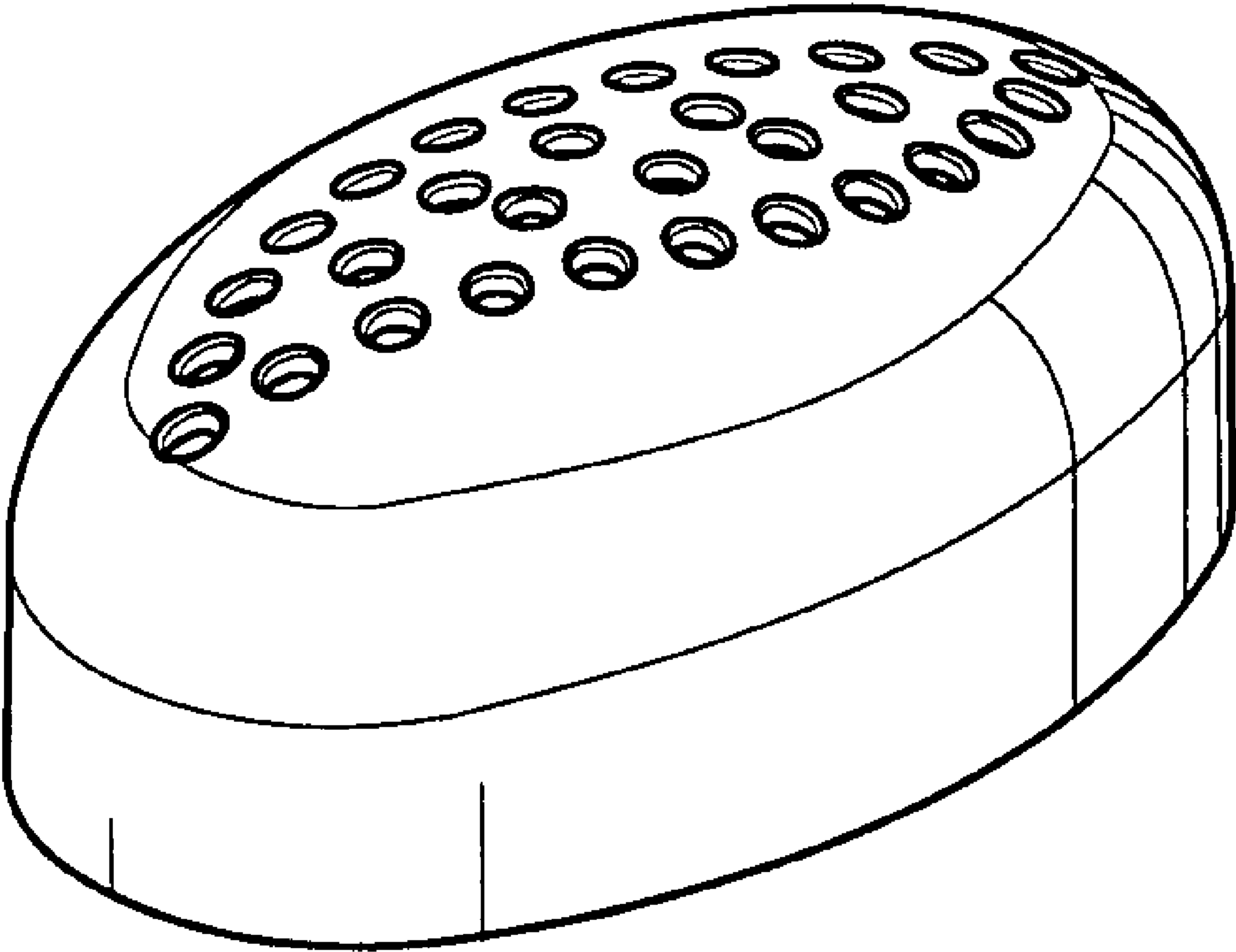


Fig. 1

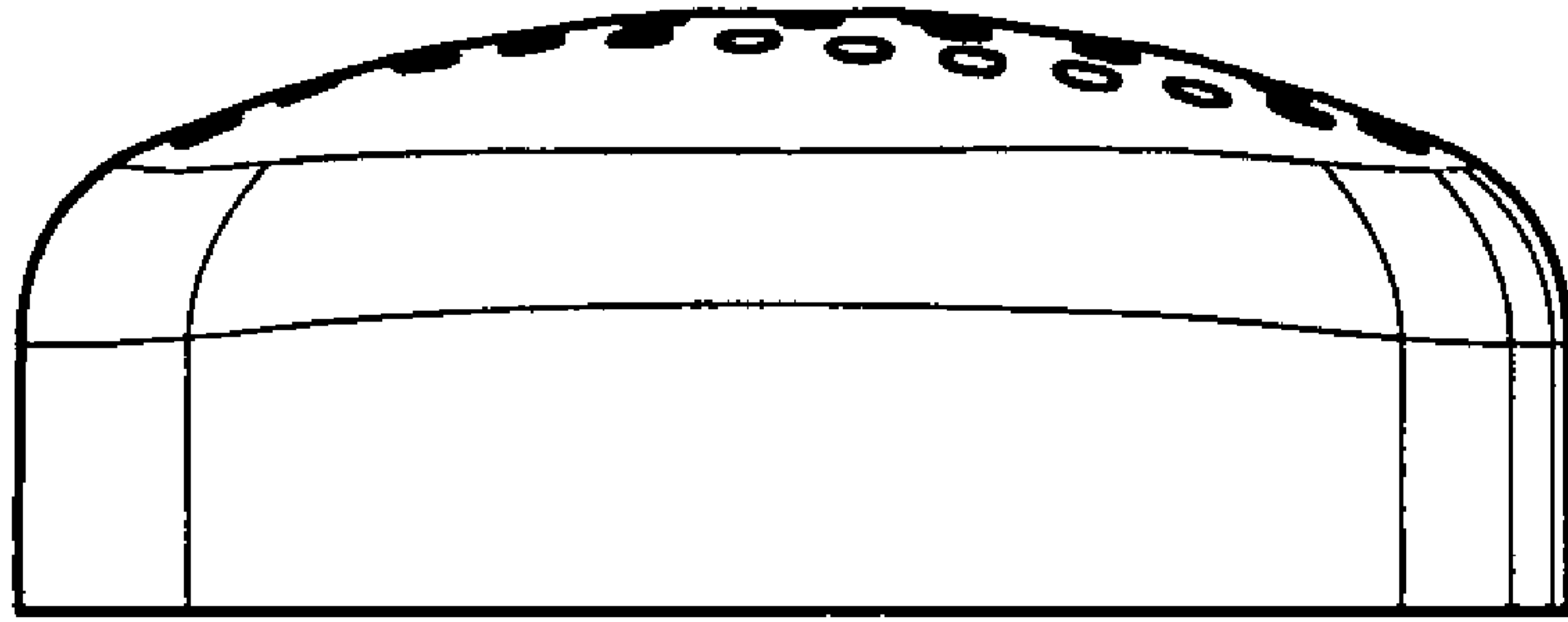


Fig. 2

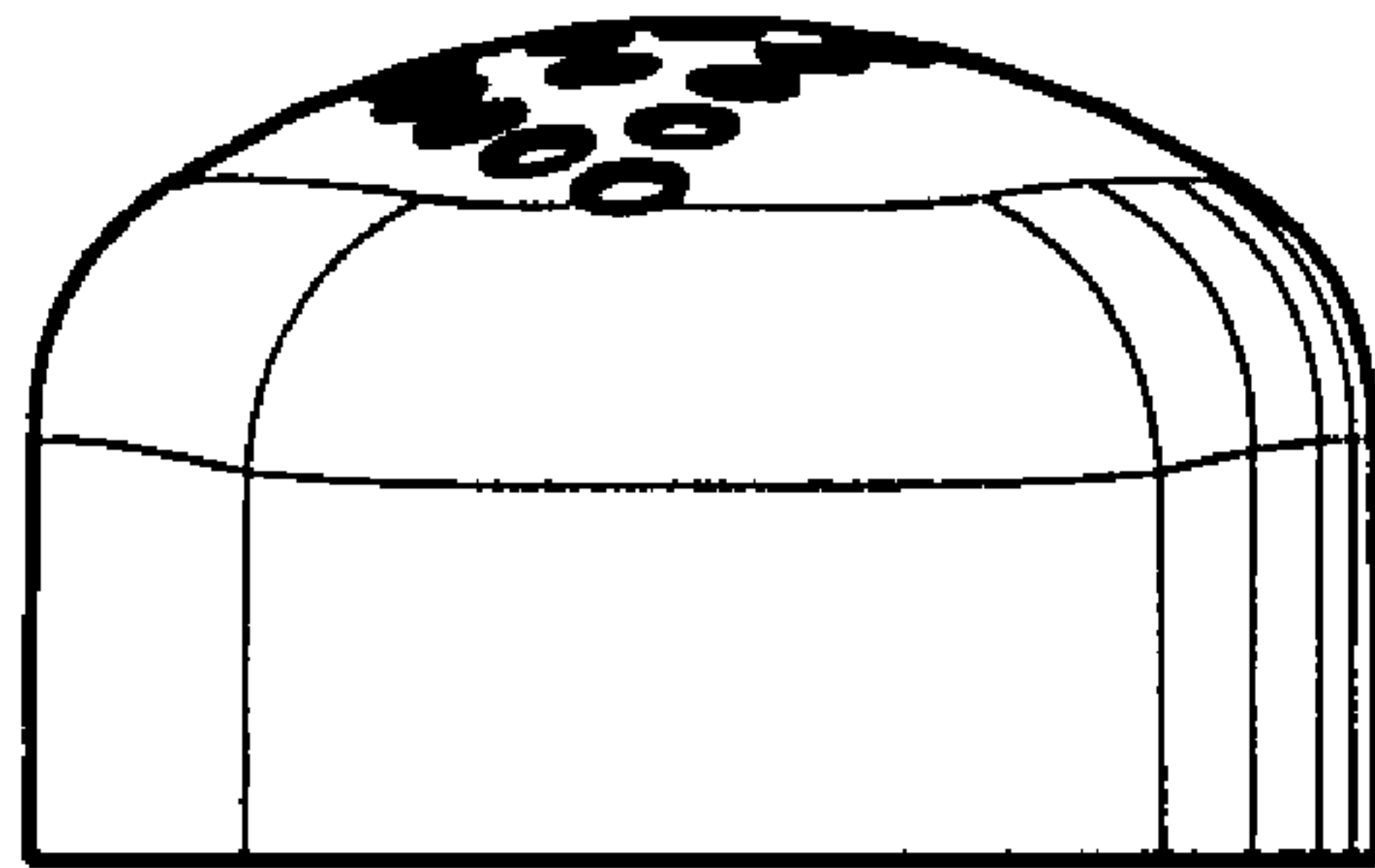


Fig. 3

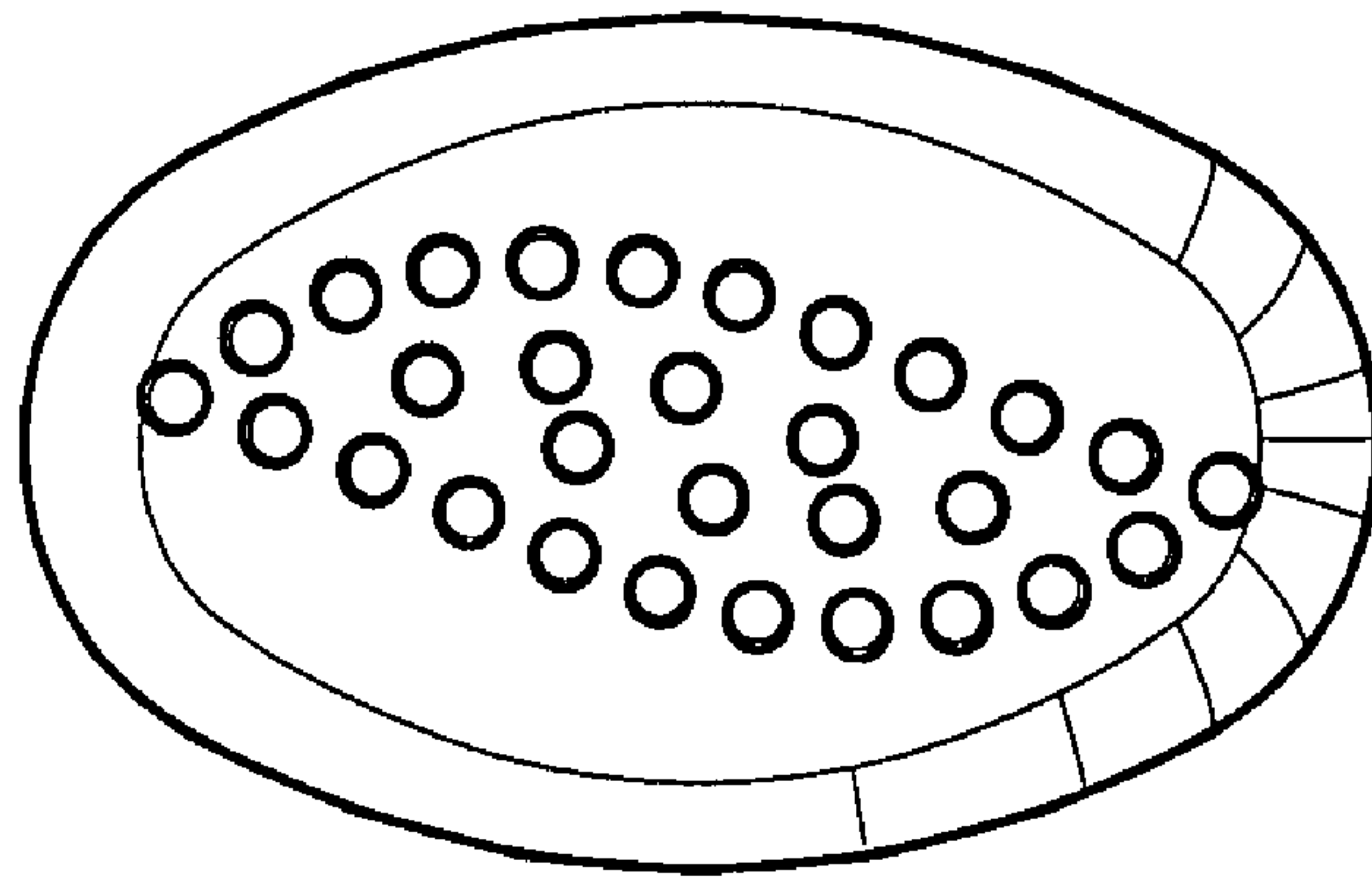


Fig. 4

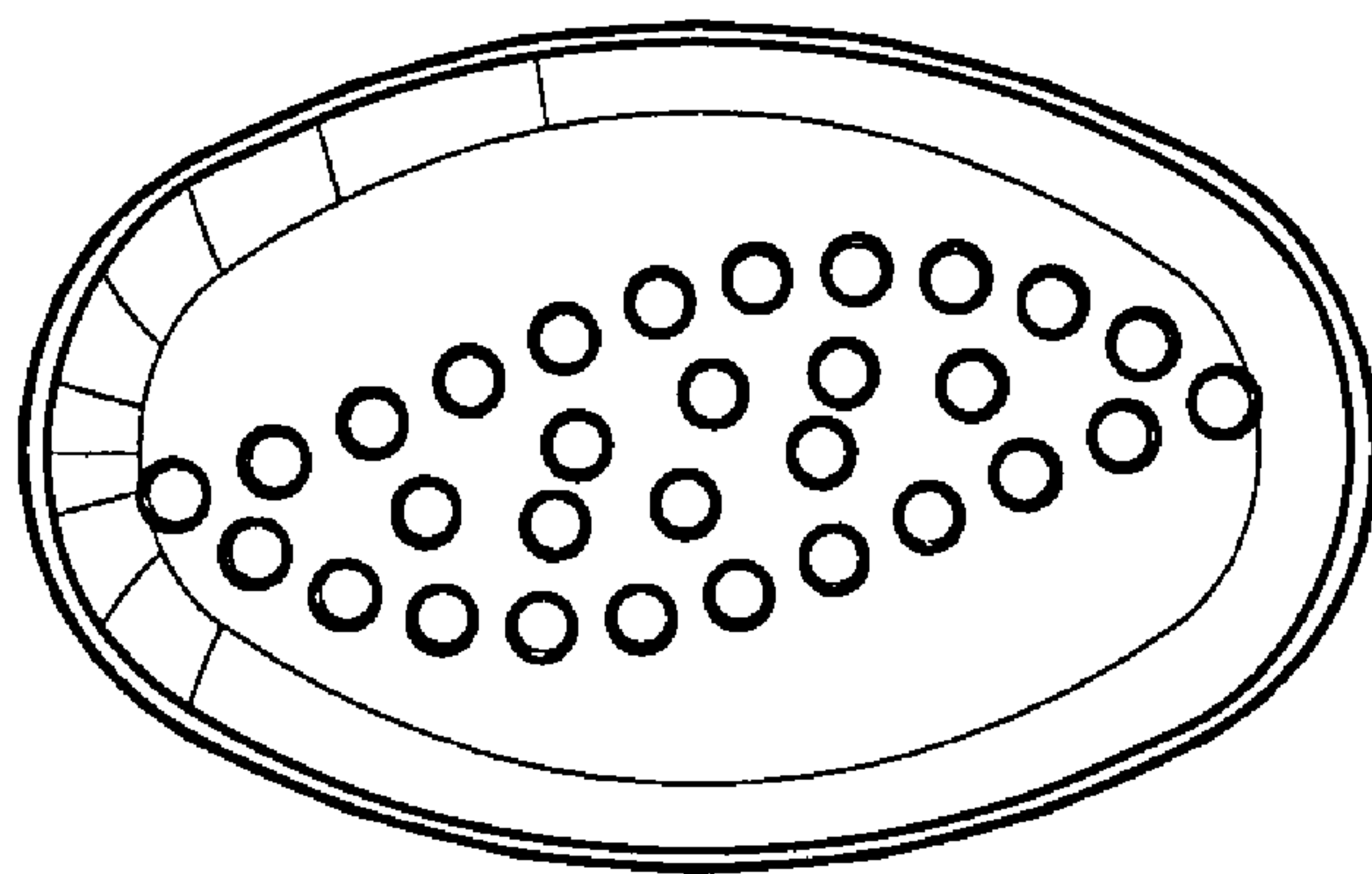


Fig. 5