



US00D577582S

(12) **United States Design Patent**
Walsh et al.

(10) **Patent No.:** **US D577,582 S**
(45) **Date of Patent:** **** Sep. 30, 2008**

(54) **DISPENSER CAP WITH INTEGRATED HANDLE**

D474,115 S * 5/2003 Walsh et al. D9/532
D511,457 S * 11/2005 Biesecker et al. D9/443
D513,474 S * 1/2006 Choi D9/449
D567,081 S * 4/2008 Baughman et al. D9/434

(76) Inventors: **Daniel J. Walsh**, 23737 Deerchase La., Naperville, IL (US) 80564; **Jesse C. Geib**, N247 Hwy. S., Kewaskum, WI (US) 53040; **Jeffrey T. Geib**, 3830 Thoma Park Dr., West Bend, WI (US) 53095

* cited by examiner

Primary Examiner—Gary D. Watson
Assistant Examiner—Susan B Hattan
(74) *Attorney, Agent, or Firm*—Andrus, Scales, Starke & Sawall, LLP

(**) Term: **14 Years**

(57) **CLAIM**

(21) Appl. No.: **29/299,197**

The ornamental design for a dispenser cap with integrated handle, as shown and described.

(22) Filed: **Dec. 20, 2007**

(51) **LOC (8) Cl.** **09-07**

DESCRIPTION

(52) **U.S. Cl.** **D9/443; D9/447; D9/438; D9/454**

FIG. 1 is a perspective view illustrating a dispenser cap with integrated handle of the present invention;

(58) **Field of Classification Search** D9/697, D9/695, 574, 529, 453, 450, 449, 447, 446, D9/443, 442, 438, 434; 222/571, 567, 566, 222/545, 544, 484, 481.5, 480; 220/810; 215/235, 556

FIG. 2 is a top view illustrating the dispenser cap with integrated handle;

See application file for complete search history.

FIG. 3 is a right side view of the dispenser cap with integrated handle with the left side view being a mirror image thereof;

(56) **References Cited**

FIG. 4 is a front view of the dispenser cap with integrated handle shown in FIG. 1;

U.S. PATENT DOCUMENTS

RE27,648 E * 5/1973 Grussen 215/253
D288,667 S * 3/1987 Miner D9/443
5,244,113 A * 9/1993 Stymiest 220/710.5
D352,899 S * 11/1994 Molo D9/447
D363,671 S * 10/1995 Mueller D9/447
6,126,035 A * 10/2000 Schaper et al. 220/771
6,443,325 B1 * 9/2002 Schaper et al. 220/771

FIG. 5 is a back view of the dispenser cap with integrated handle; and,

FIG. 6 is a bottom view of the dispenser cap with integrated handle shown in FIG. 1.

The broken lines shown in the drawing Figures are meant to illustrate the environment of the present invention and form no part of the claimed design.

1 Claim, 4 Drawing Sheets

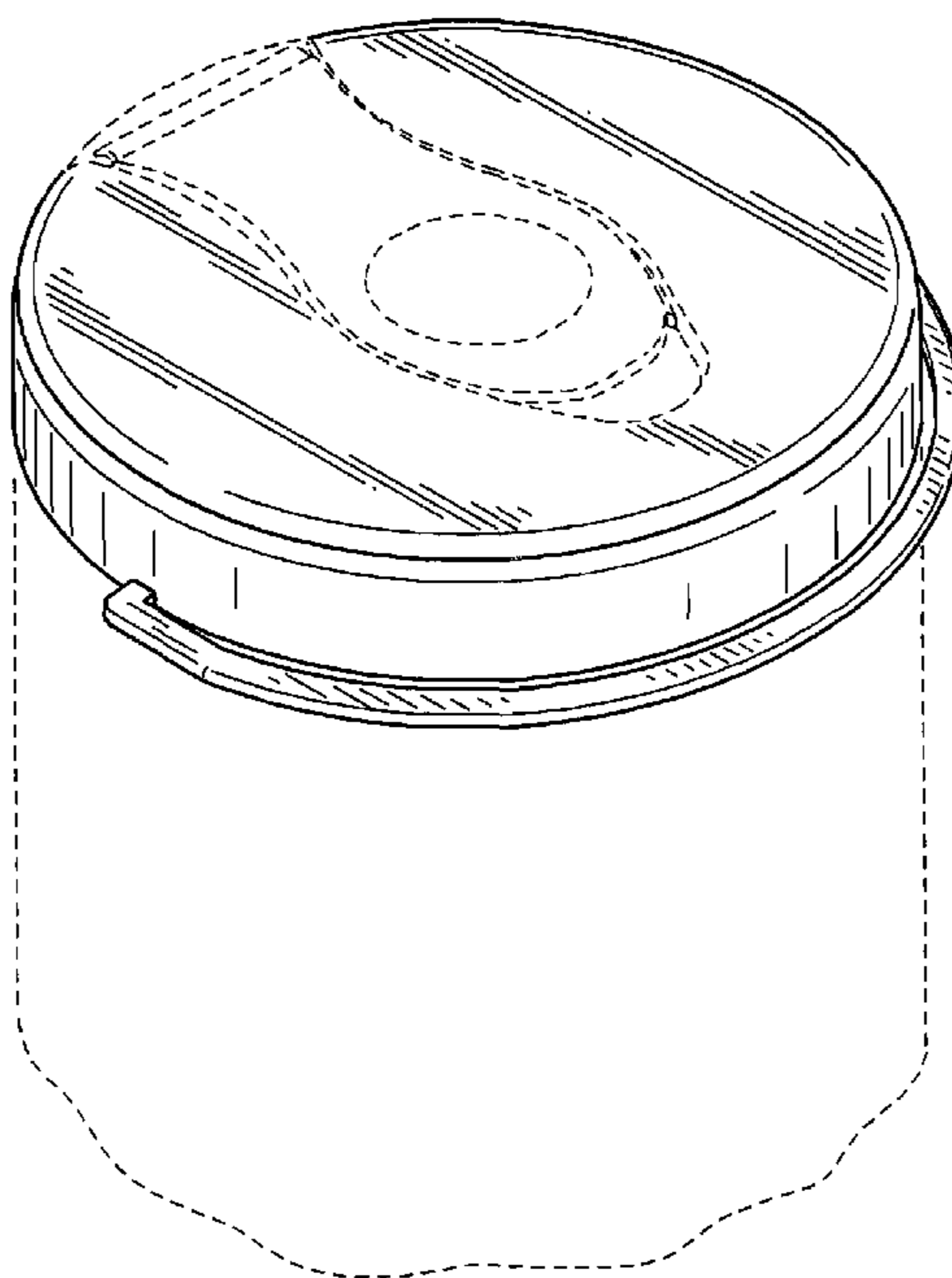
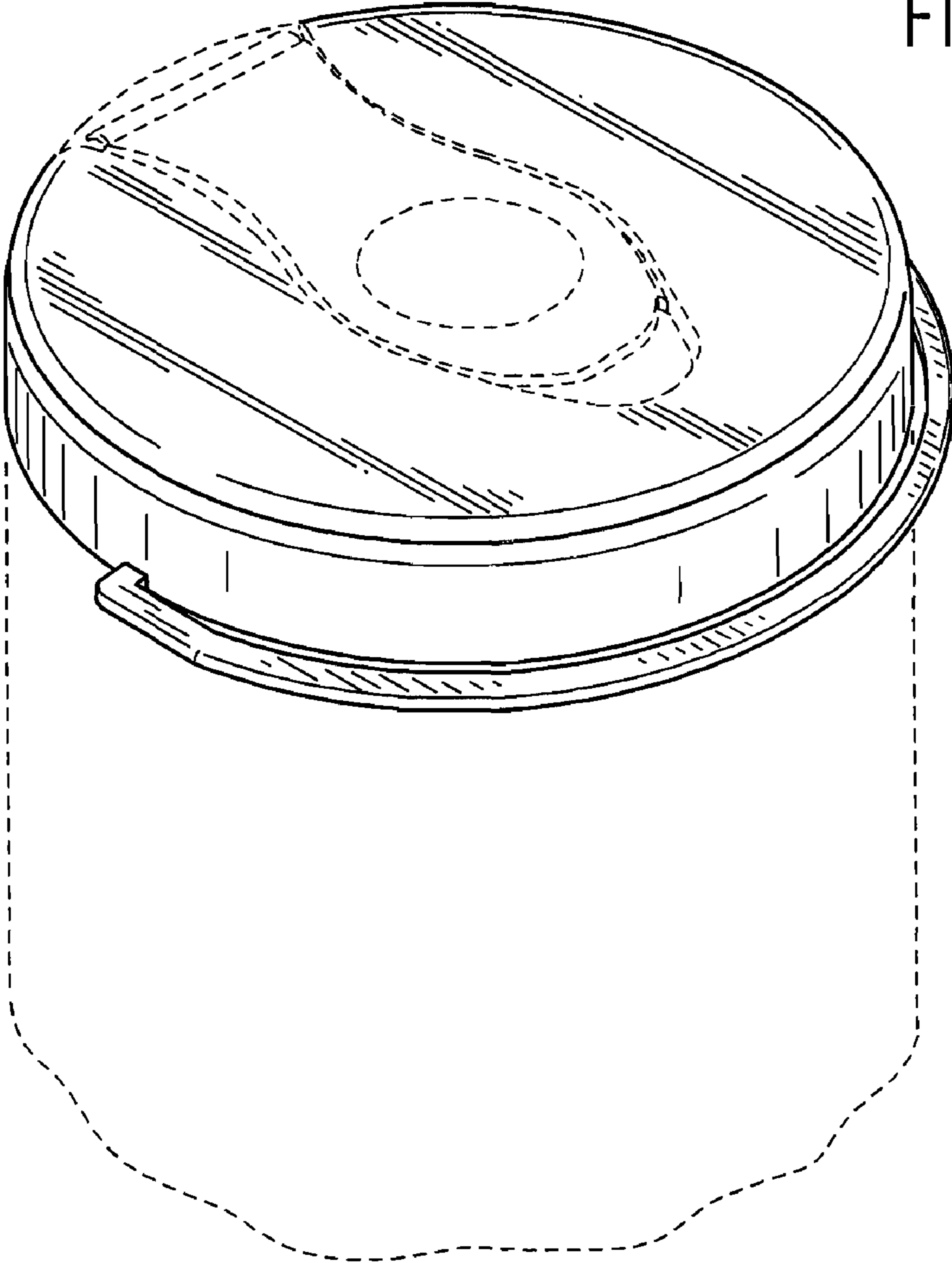


FIG. 1



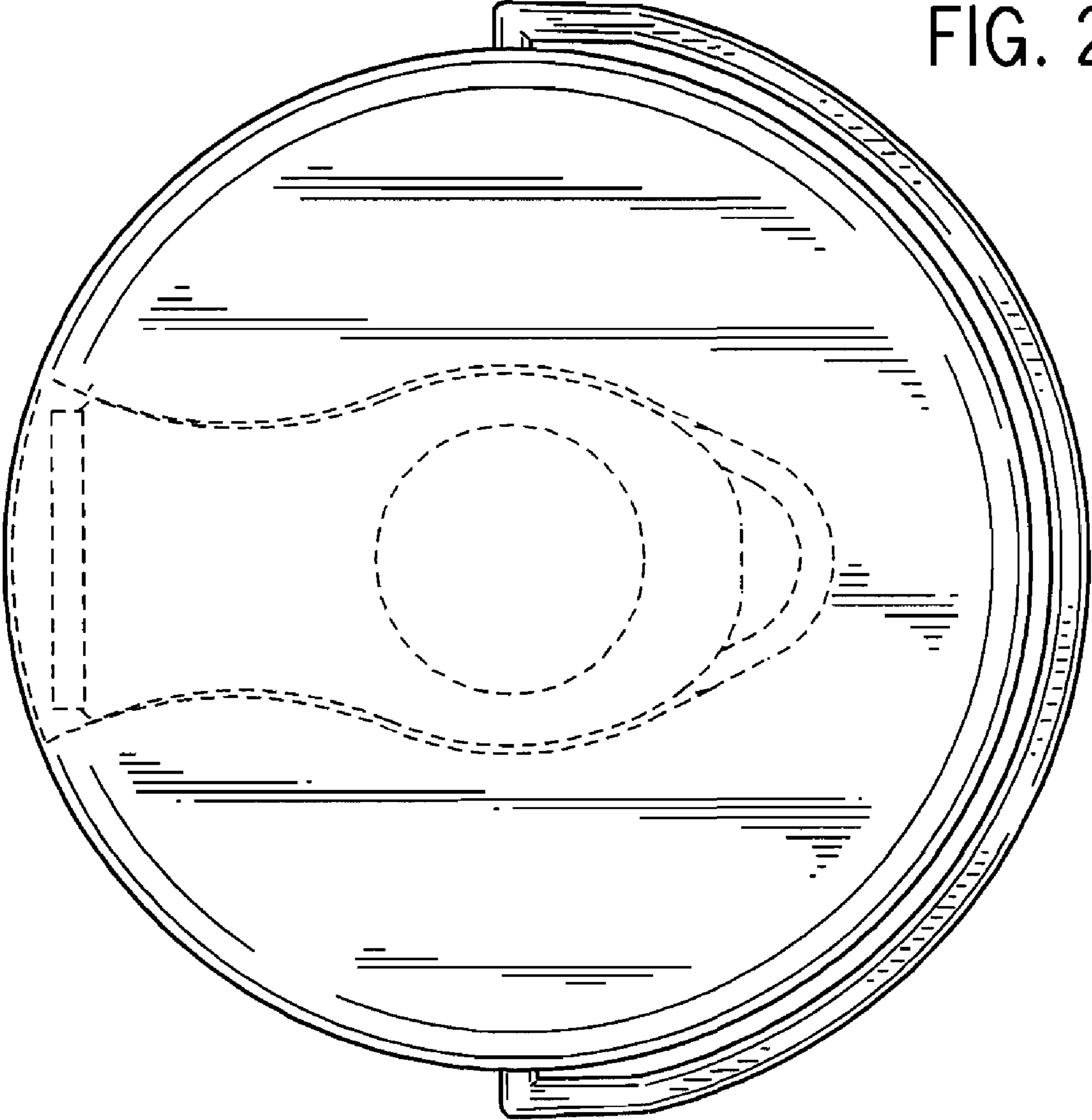


FIG. 2

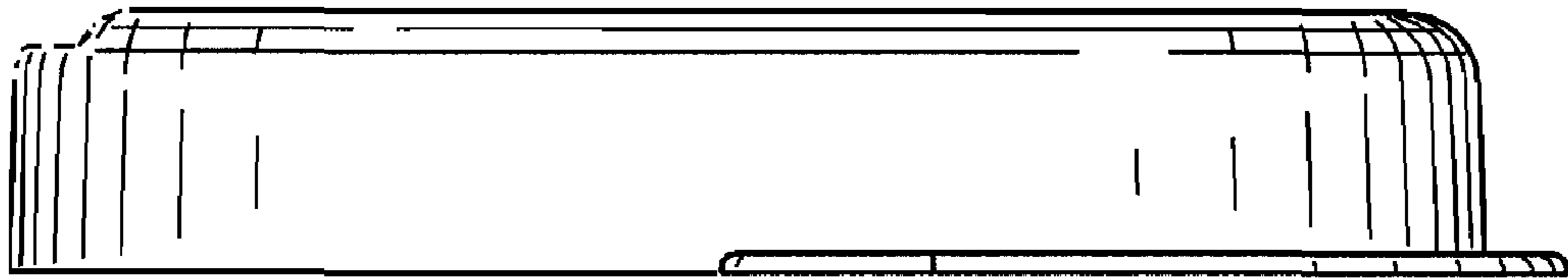


FIG. 3

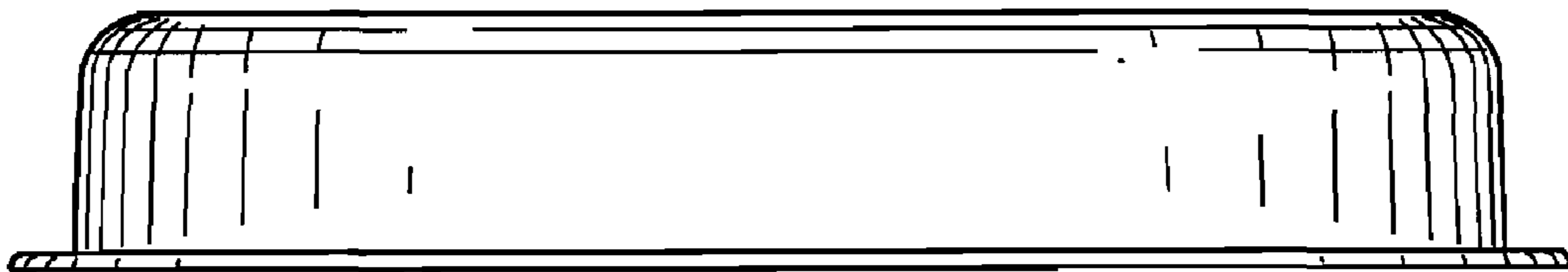


FIG. 4

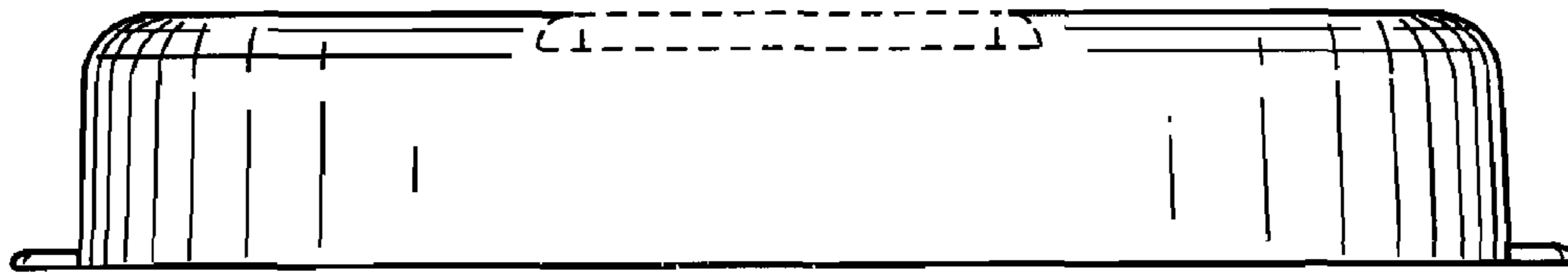


FIG. 5

FIG. 6

