



US00D577581S

(12) **United States Design Patent**
Koza

(10) **Patent No.:** **US D577,581 S**

(45) **Date of Patent:** **** Sep. 30, 2008**

(54) **CORK PACKAGING BLOCK**
(75) Inventor: **Michelle Koza**, Santa Monica, CA (US)
(73) Assignees: **Sony Corporation**, Tokyo (JP); **Sony Electronics Inc.**, Park Ridge, NJ (US)
(**) Term: **14 Years**
(21) Appl. No.: **29/297,791**
(22) Filed: **Nov. 19, 2007**

(51) **LOC (8) Cl.** **09-03**
(52) **U.S. Cl.** **D9/432**
(58) **Field of Classification Search** D9/430-433,
D9/414-418, 420-429, 560, 737, 756; D3/273,
D3/302; 206/421, 454, 457, 775-778, 784,
206/822, 521, 521.2, 521.6-521.8, 523, 524,
206/588, 591, 592, 316.1, 316.2, 316.3, 524.1,
206/527, 563, 565, 701, 706; 220/500, 523-529,
220/552, 555; 229/100, 103.3, 104-106,
229/108, 108.1, 109, 110, 112-116, 116.1,
229/116.2, 117.15, 120, 125.015, 132, 138,
229/155, 162.1, 162.6, 162.7, 182.1, 213,
229/214, 247, 406, 407, 902, 911, 922, 930,
229/942

See application file for complete search history.

(56) **References Cited**
U.S. PATENT DOCUMENTS

634,507	A *	10/1899	Smith	229/182.1
879,865	A *	2/1908	Godfrey	229/406
1,748,406	A *	2/1930	Blair	401/201
1,756,713	A *	4/1930	Vernet	248/346.11
2,066,420	A *	1/1937	Reysa	15/105
2,722,719	A *	11/1955	Altstadter	264/155
3,096,879	A *	7/1963	Schumacher	206/523
3,420,363	A *	1/1969	Blickensderfer	206/524
3,443,661	A *	5/1969	Sciver	181/199

3,487,990	A *	1/1970	Overton et al.	229/122.27
3,491,914	A *	1/1970	Elzey	220/801
3,807,624	A *	4/1974	Funkhouser	206/427
3,871,521	A *	3/1975	Szatkowski	206/524
3,899,072	A *	8/1975	Reinhart	206/527
4,132,311	A *	1/1979	Glinert	206/387.14
4,422,546	A *	12/1983	Charity	206/77.1
5,226,557	A *	7/1993	Nelson	206/523
5,799,866	A *	9/1998	Hattem	229/406
6,412,635	B1 *	7/2002	Lu	206/523
6,817,161	B1 *	11/2004	Wu et al.	53/449
7,207,508	B1 *	4/2007	Golshevsky	241/37.5
2003/0106826	A1 *	6/2003	Mazziliano	206/521.1
2004/0079670	A1 *	4/2004	Sendijarevic et al.	206/523
2005/0016889	A1 *	1/2005	Goi	206/455
2006/0207914	A1 *	9/2006	Cance et al.	206/588
2006/0237338	A1 *	10/2006	Nakamae	206/316.1

* cited by examiner

Primary Examiner—T. Chase Nelson

Assistant Examiner—Karen Acker

(74) *Attorney, Agent, or Firm*—John L. Rogitz

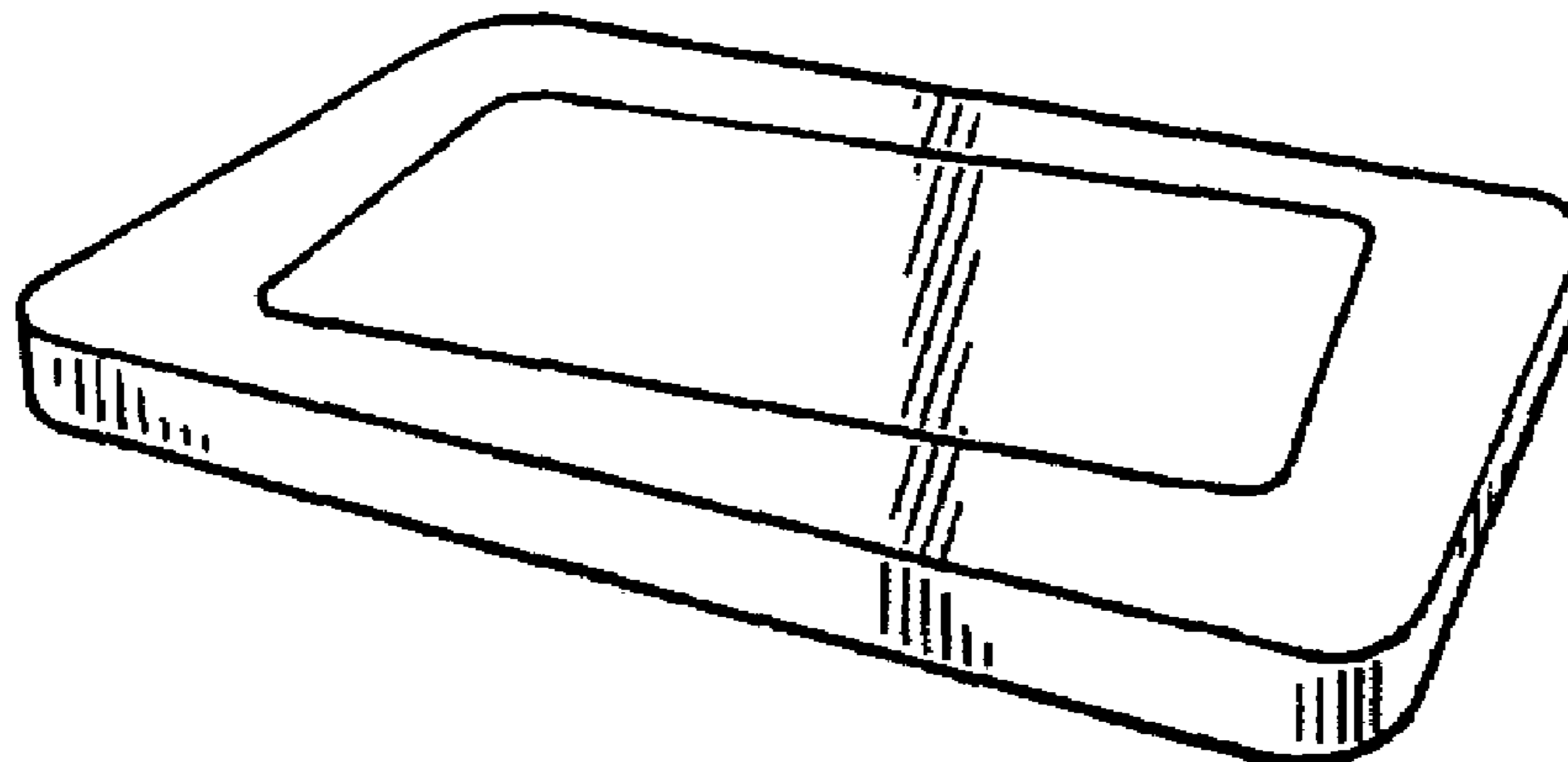
(57) **CLAIM**

The ornamental design for the cork packaging block, as shown and described.

DESCRIPTION

FIG. 1 is a perspective view of the cork packaging block;
FIG. 2 is a front view of the cork packaging block;
FIG. 3 is a left side elevational view of the cork packaging block; and
FIG. 4 is a rear view of the cork packaging block;
FIG. 5 is a right side elevational view of the cork packaging block;
FIG. 6 is a top plan view of the cork packaging block; and,
FIG. 7 is a bottom plan view of the cork packaging block.

1 Claim, 1 Drawing Sheet



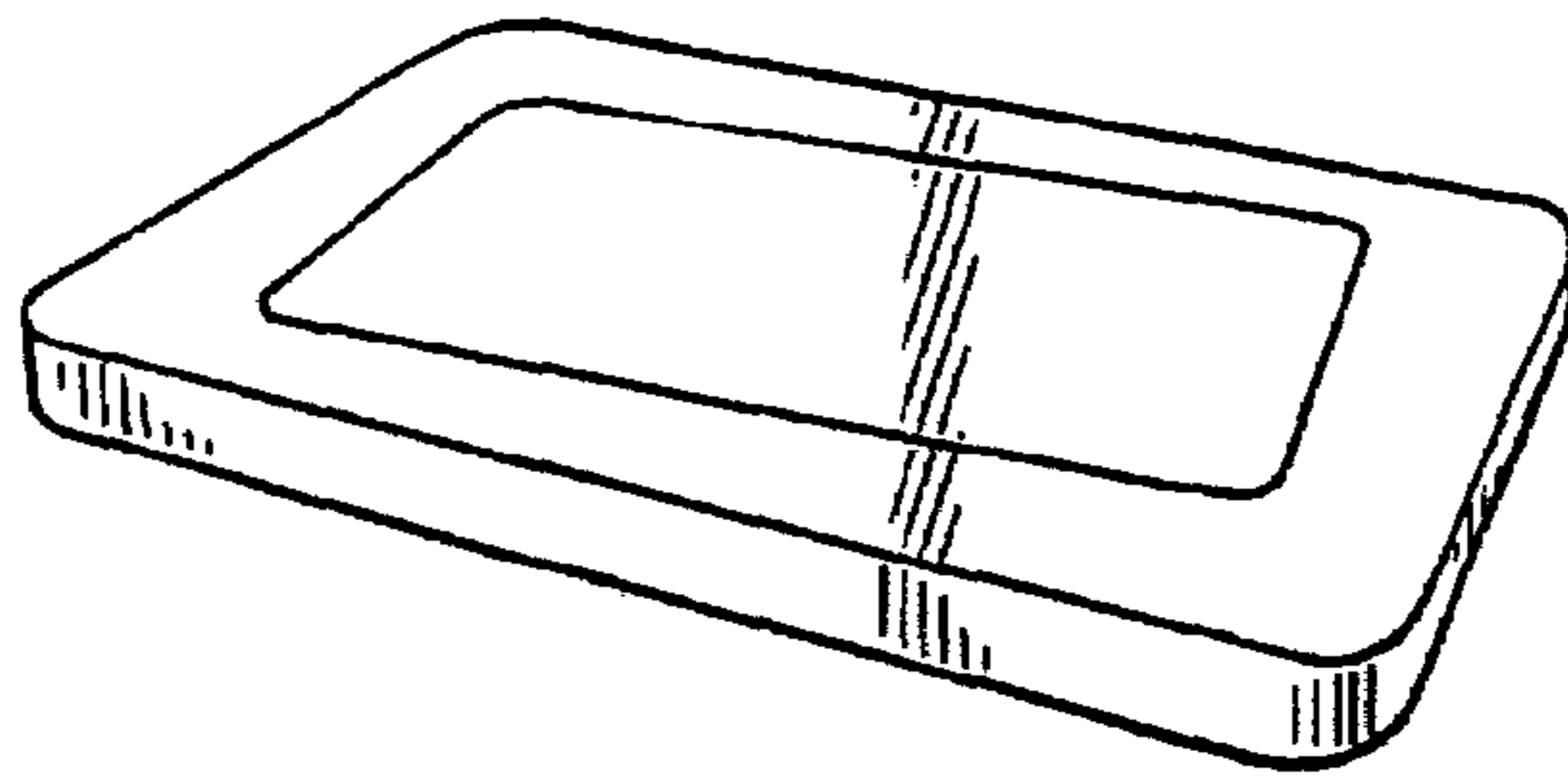


Figure 1

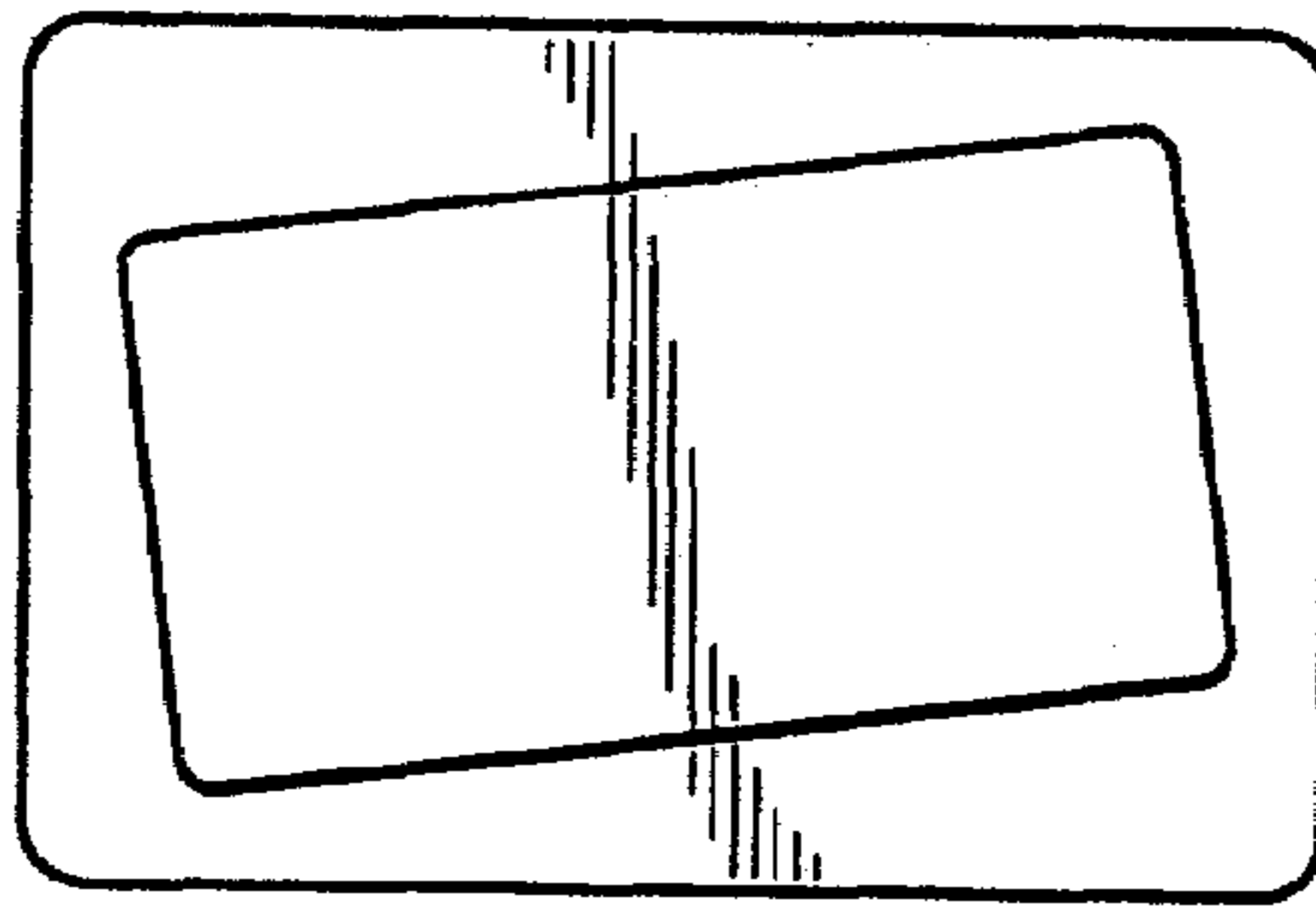


Figure 2



Figure 3

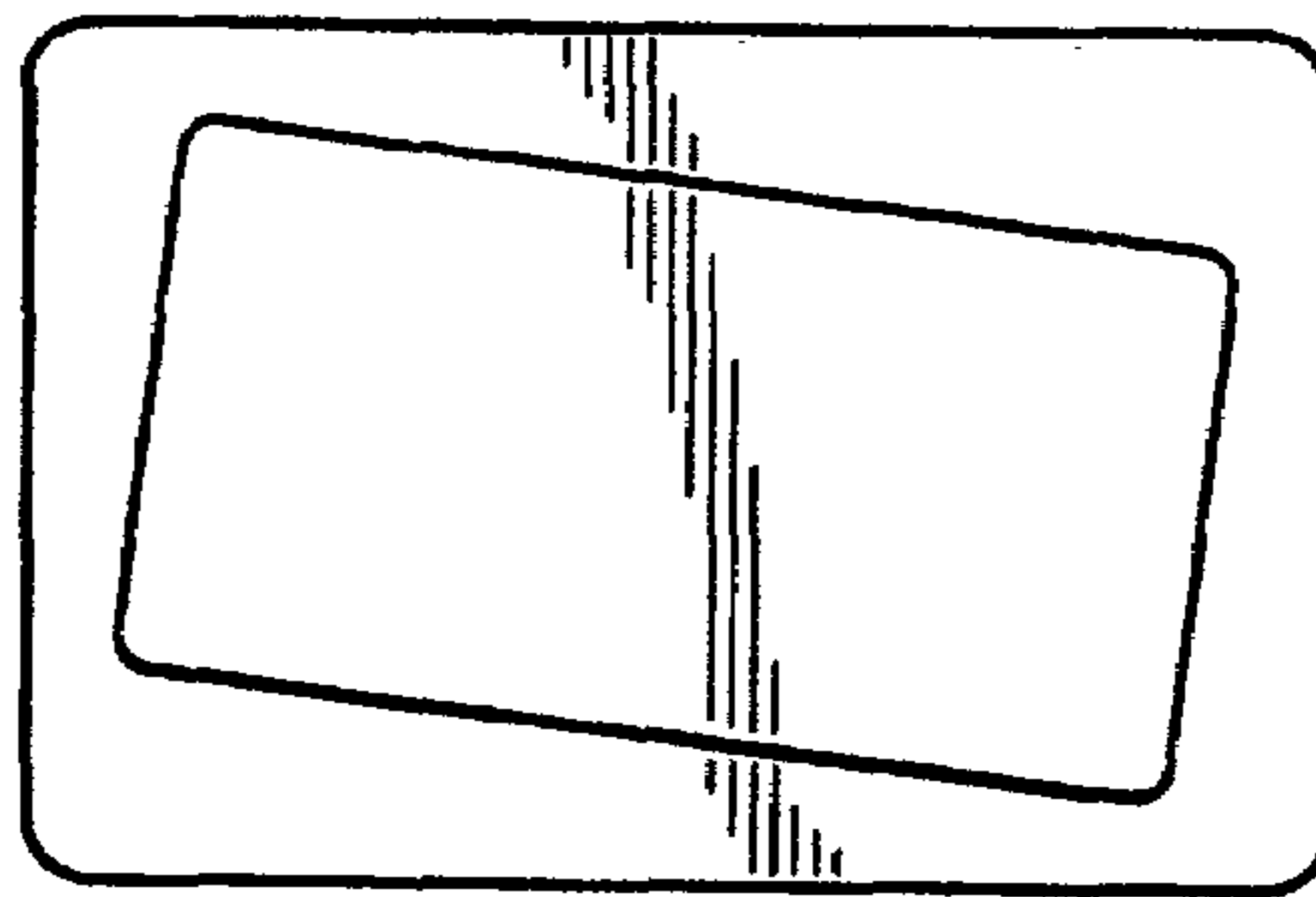


Figure 4



Figure 5



Figure 6



Figure 7