



US00D577579S

(12) **United States Design Patent**
Lymn et al.

(10) **Patent No.:** **US D577,579 S**
(45) **Date of Patent:** **** Sep. 30, 2008**

(54) **PACKAGE FOR FOOD PRODUCTS**

(75) Inventors: **Kim Lymn**, Long Lake, MN (US); **Cari Tully**, Minneapolis, MN (US); **Brendan Dillon**, Minneapolis, MN (US); **Dana Mattingly**, Minneapolis, MN (US); **Gandhi Sifuentes**, Whittier, CA (US); **Craig Snedden**, Culver City, CA (US)

(73) Assignee: **Target Brands, Inc.**, Minneapolis, MN (US)

(**) Term: **14 Years**

(21) Appl. No.: **29/296,413**

(22) Filed: **Oct. 19, 2007**

(51) **LOC (8) Cl.** **09-03**

(52) **U.S. Cl.** **D9/426**

(58) **Field of Classification Search** D9/414-418, D9/420-426, 430-432, 761, 737, 757; D7/357, D7/629, 602, 553.1-553.8, 538; 206/521.1, 206/564, 541, 546; 220/23.8, 23.83, 315, 220/324, 326, 367, 556, 4.21, 4.23, 835, 220/839; 229/406, 902-904, 906, 407, 110
See application file for complete search history.

(56) **References Cited**

U.S. PATENT DOCUMENTS

D222,828 S	1/1972	Giraudet	D9/757
4,079,880 A *	3/1978	Edwards	220/4.21
D254,776 S *	4/1980	Edwards	D9/426
D262,355 S	12/1981	Oakley	D9/757
D277,167 S *	1/1985	Dart	D9/414
D282,147 S	1/1986	Mangla	D9/757
D304,908 S *	12/1989	Natori	D9/423
D339,744 S *	9/1993	Seppala	D9/425
D363,879 S	11/1995	Krupa et al.	D9/423
D394,985 S	6/1998	Curtis et al.	D7/538
D408,734 S *	4/1999	McCann	D9/423
D411,448 S	6/1999	Baker	D9/415
5,947,321 A *	9/1999	Vadney	220/367.1
D448,991 S *	10/2001	Zettle et al.	D9/425
D512,305 S	12/2005	Ramirez et al.	D9/425

D514,452 S	2/2006	Enriquez	D9/758
D540,666 S *	4/2007	Ramirez et al.	D9/423
D541,649 S *	5/2007	Ramirez et al.	D9/426
2004/0007583 A1	1/2004	Lin	220/835

OTHER PUBLICATIONS

The Brenmar Company, Inc., Hinged Cupcake/Muffin Containers, <http://www.brenmarco.com/supermarket/SUPERMARKET%20LARGE%20PAGES/cupcakecont.html>, Jan. 31, 2008, 3 pages.

Plastic Container City, Hinged Plastic Containers, http://www.plasticcontainercity.com/Hinged_Plastic_Containers-Produced.html, Jan. 31, 2008, 5 pages.

Country Clean Paper Supplies, <http://www.wesellcoffee.com/page72.html>, Jan. 31, 2008, 11 pages.

CM Packaging, http://www.cmpackaging.com/ProductCart/pc/viewCat_g.asp?idCategory=63, Jan. 31, 2008, 1 page.

(Continued)

Primary Examiner—Robert M. Spear

Assistant Examiner—Susan E Krakower

(74) *Attorney, Agent, or Firm*—Theodore M Magee; Westman, Champlin & Kelly, P.A.

(57) **CLAIM**

The ornamental design for a package for food products, as shown and described.

DESCRIPTION

FIG. 1 is a top left front perspective view of the package for food products.

FIG. 2 is a left side view of the package for food products.

FIG. 3 is a right side view of the package for food products.

FIG. 4 is a front view of the package for food products.

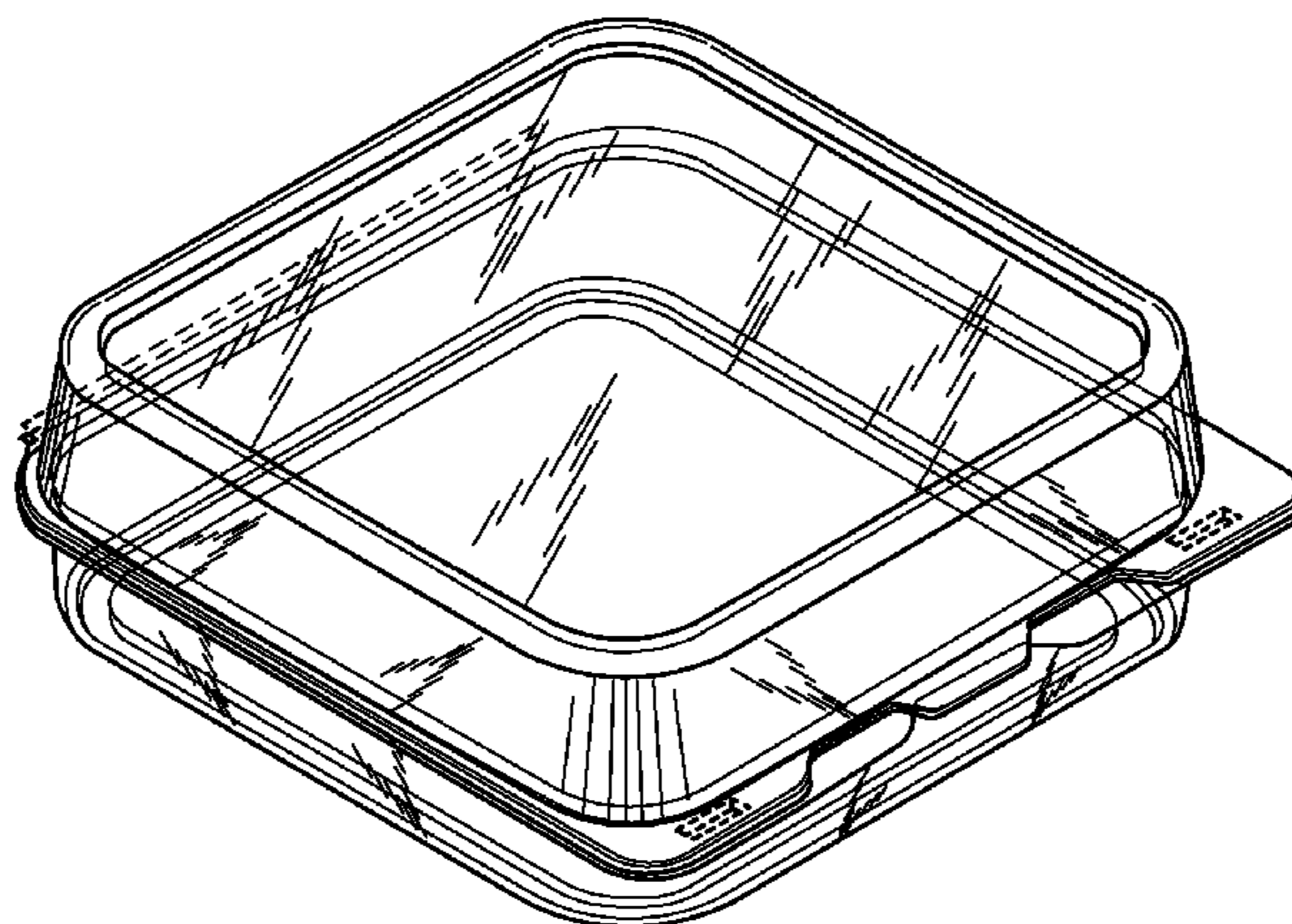
FIG. 5 is a back view of the package for food products.

FIG. 6 is a top view of the package for food products; and,

FIG. 7 is a bottom view of the package for food products.

The broken lines show environmental subject matter and form no part of the claimed design.

1 Claim, 7 Drawing Sheets



OTHER PUBLICATIONS

CM Packaging, http://www.cmpackaging.com/ProductCart/pc/viewCat_h.asp?idCategory=59, Jan. 31, 2008, 4 pages.

Genpak, Clear Hinged Baery Containers, <http://www.genpak.com/cfm/containersbycategoy.cfm?catid=71>, Jan. 31, 2008, 3 pages.

ReStockIt.com, Black Plastic Hinged Lid Hoagie Container, [http://www.restockit.com/Black-Plastic-Hinged-Lid-Hoagie-Container-8-\(REY12481\).html](http://www.restockit.com/Black-Plastic-Hinged-Lid-Hoagie-Container-8-(REY12481).html), Jan. 31, 2008, 7 pages.

ReStockIt.com, Plastic Hinged Lid Containers, <http://www.restockit.com/Plastic-Hinged-Lid-Containers.html>, Jan. 31, 2008, 9 pages.

ReStockIt.com, Clear Plastic Hinged Lid 1 Compartment, [http://www.restockit.com/H-Lik-Plastic-1Comp-Large-Clear-\(C55UT1DART\)-ON-SALE-TODAY!.html](http://www.restockit.com/H-Lik-Plastic-1Comp-Large-Clear-(C55UT1DART)-ON-SALE-TODAY!.html), Jan. 31, 2008, 7 pages.

The Brenmar Company, Inc., Hinged Cupcake/Muffin Containers, <http://www.brenmarco.com/supermarket/SUPERMARKET%20LARGE%20PAGES/cupcakecont.html>, Jan. 31, 2008, 3 pages.

Plastic Container City, Hinged Plastic Containers, http://www.plasticcontainercity.com/Hinged_Plastic_Containers-Produce.html, Jan. 31, 2008, 5 pages.

Country Clean Paper Supplies, <http://www.wesellcoffee.com/page72.html>, Jan. 31, 2008, 11 pages.

CM Packaging, http://www.cmpackaging.com/ProductCart/pc/viewCat_g.asp?idCategory=63, Jan. 31, 2008, 1 page.

CM Packaging, http://www.cmpackaging.com/ProductCart/pc/viewCat_h.asp?idCategory=59, Jan. 31, 2008, 4 pages.

Genpak, Clear Hinged Baery Containers, <http://www.genpak.com/cfm/containersbycategoy.cfm?catid=71>, Jan. 31, 2008, 3 pages.

ReStockIt.com, Black Plastic Hinged Lid Hoagie Container, [http://www.restockit.com/Black-Plastic-Hinged-Lid-Hoagie-Container-8-\(Rey12481\).html](http://www.restockit.com/Black-Plastic-Hinged-Lid-Hoagie-Container-8-(Rey12481).html), Jan. 31, 2008, 7 pages.

ReStockIt.com, Plastic Hinged Lid Containers, <http://www.restockit.com/Plastic-Hinged-Lid-Containers.html>, Jan. 31, 2008, 9 pages.

ReStockIt.com, Clear Plastic Hinged Lid 1 Compartment, [http://www.restockit.com/H-Lik---Plastic---1Comp---Large---Clear---\(C55UT1DART\)---ON-SALE-TODAY!.html](http://www.restockit.com/H-Lik---Plastic---1Comp---Large---Clear---(C55UT1DART)---ON-SALE-TODAY!.html), Jan. 31, 2008, 7 pages.

ReStockIt.com, Plastic Hinged Lid Containers, <http://www.restockit.com/Plastic-Hinged-Lid-Containers.html>, Jan. 31, 2008, 9 pages.

ReStockIt.com, Clear Plastic Hinged Lid 1 Compartment, [http://www.restockit.com/H-Lik---Plastic---1Comp---Large---Clear---\(C55UT1DART\)---ON-SALE-TODAY!.html](http://www.restockit.com/H-Lik---Plastic---1Comp---Large---Clear---(C55UT1DART)---ON-SALE-TODAY!.html), Jan. 31, 2008, 7 pages.

* cited by examiner

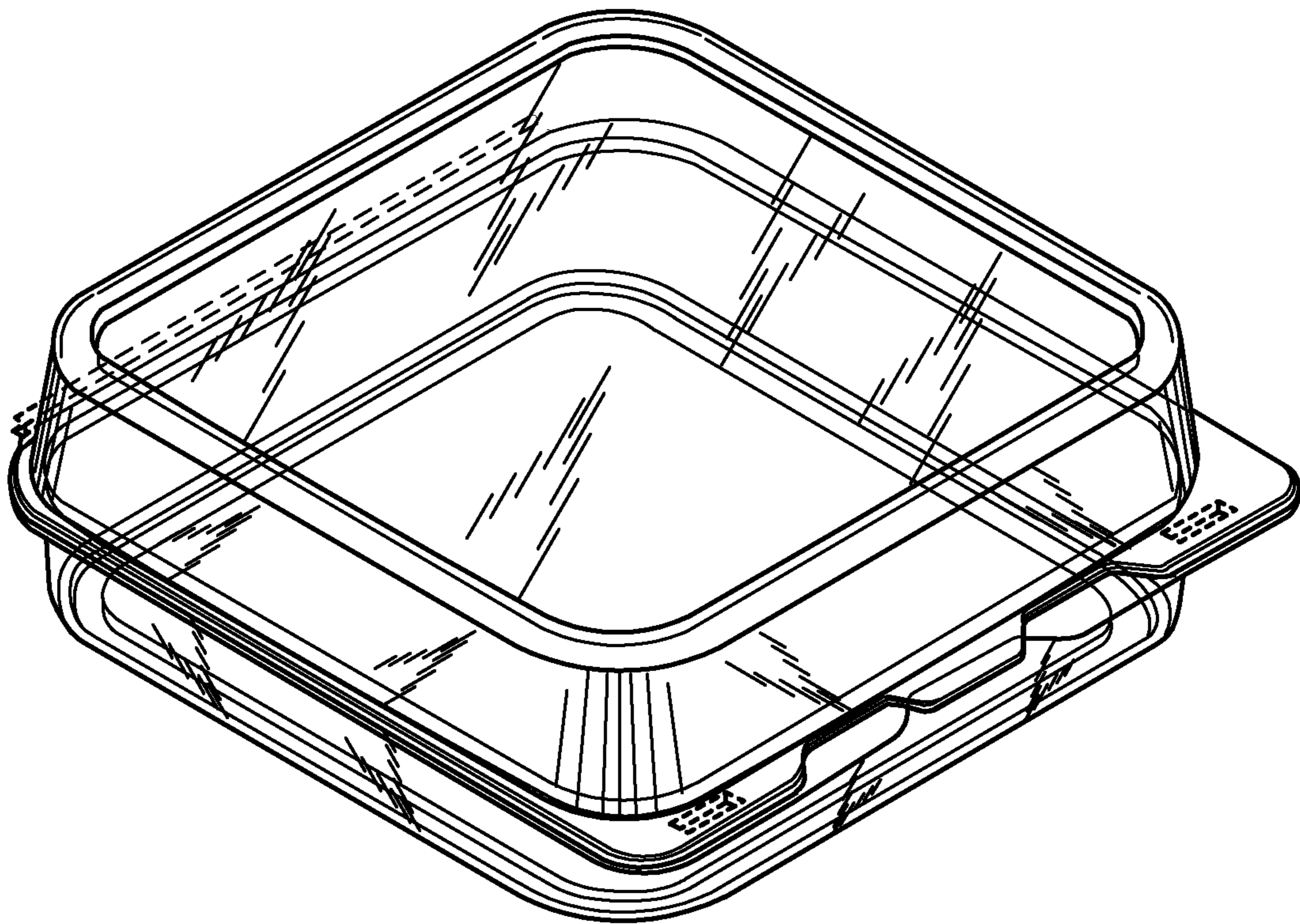


FIG. 1

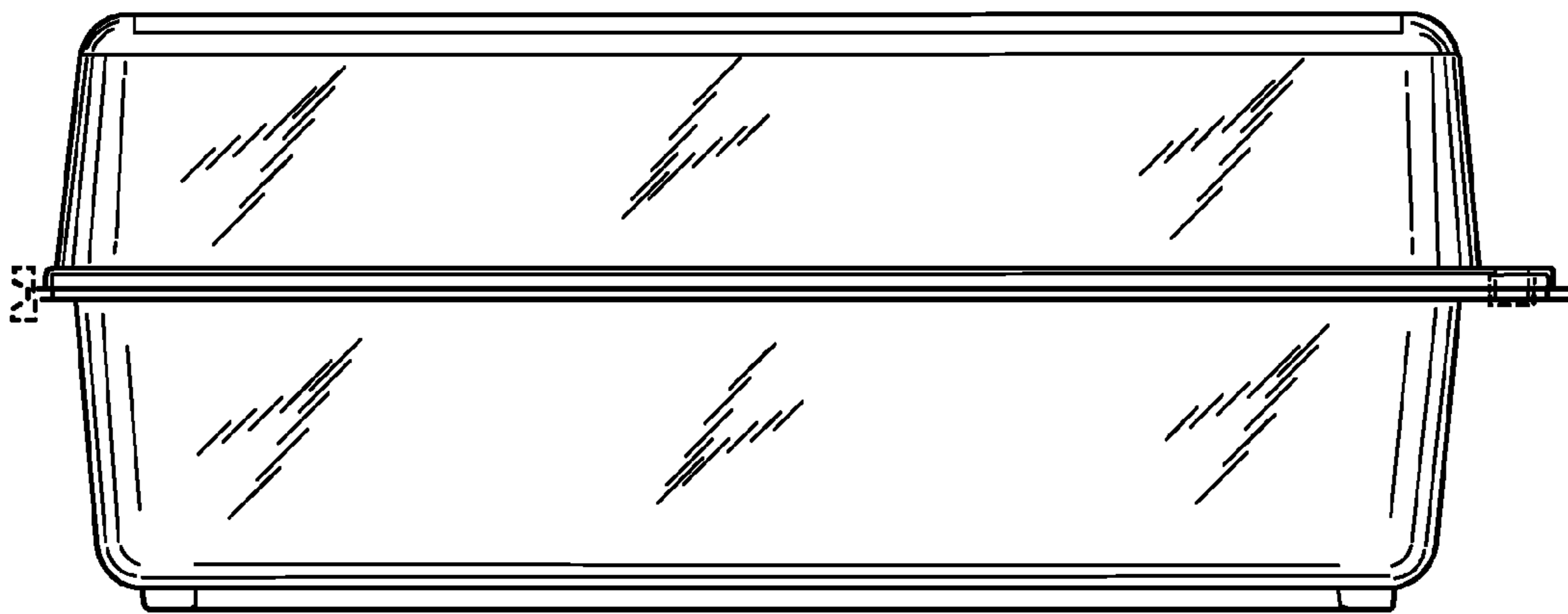


FIG. 2

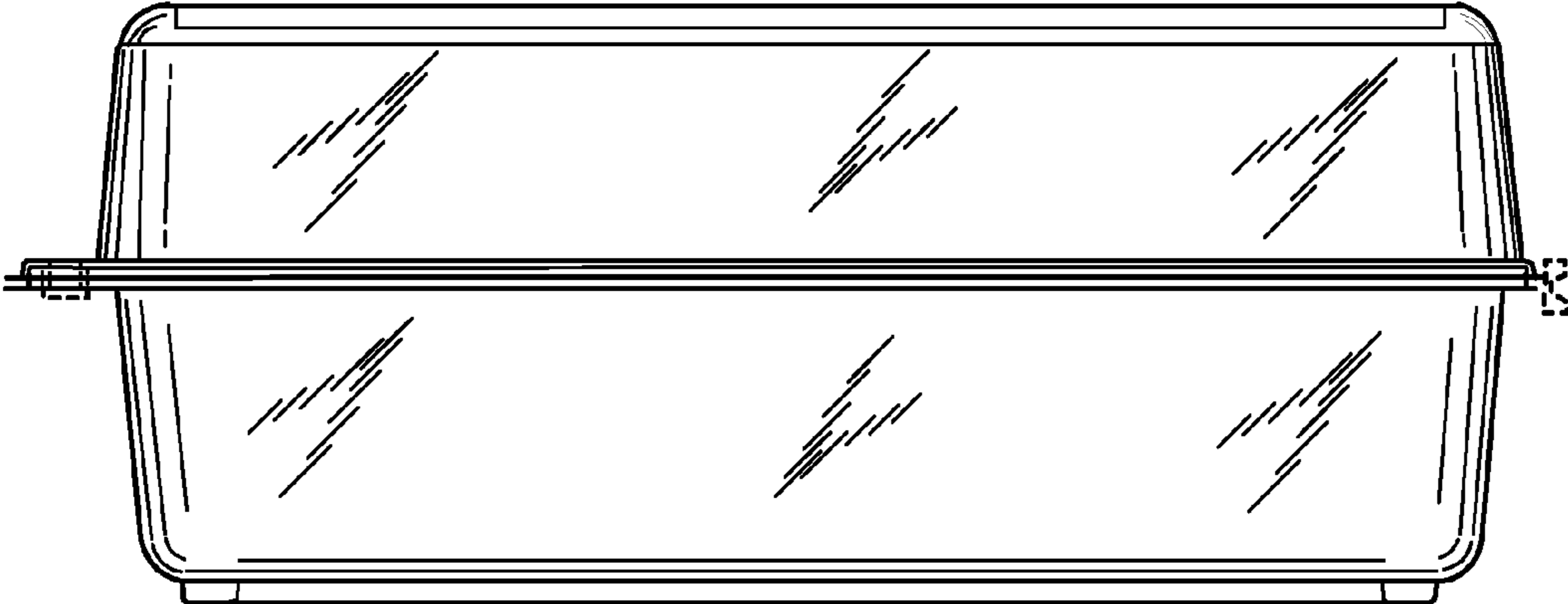


FIG. 3

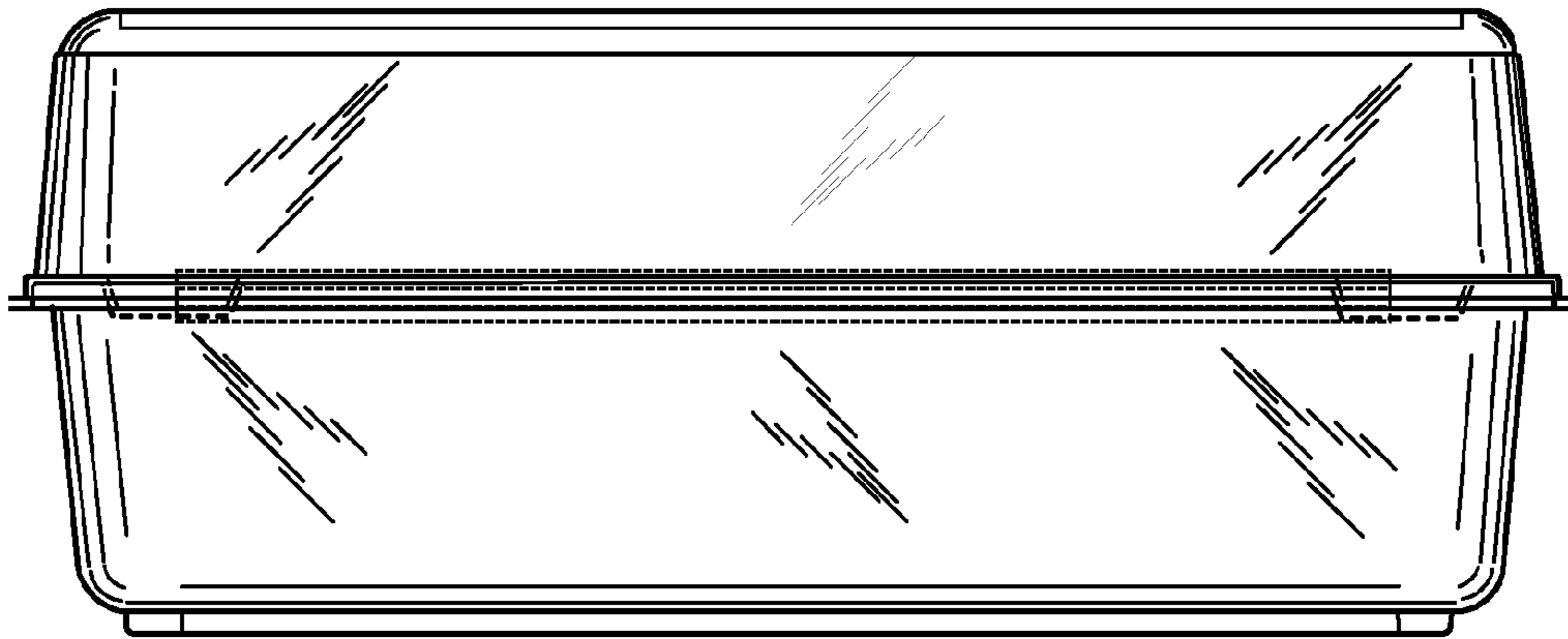


FIG. 4

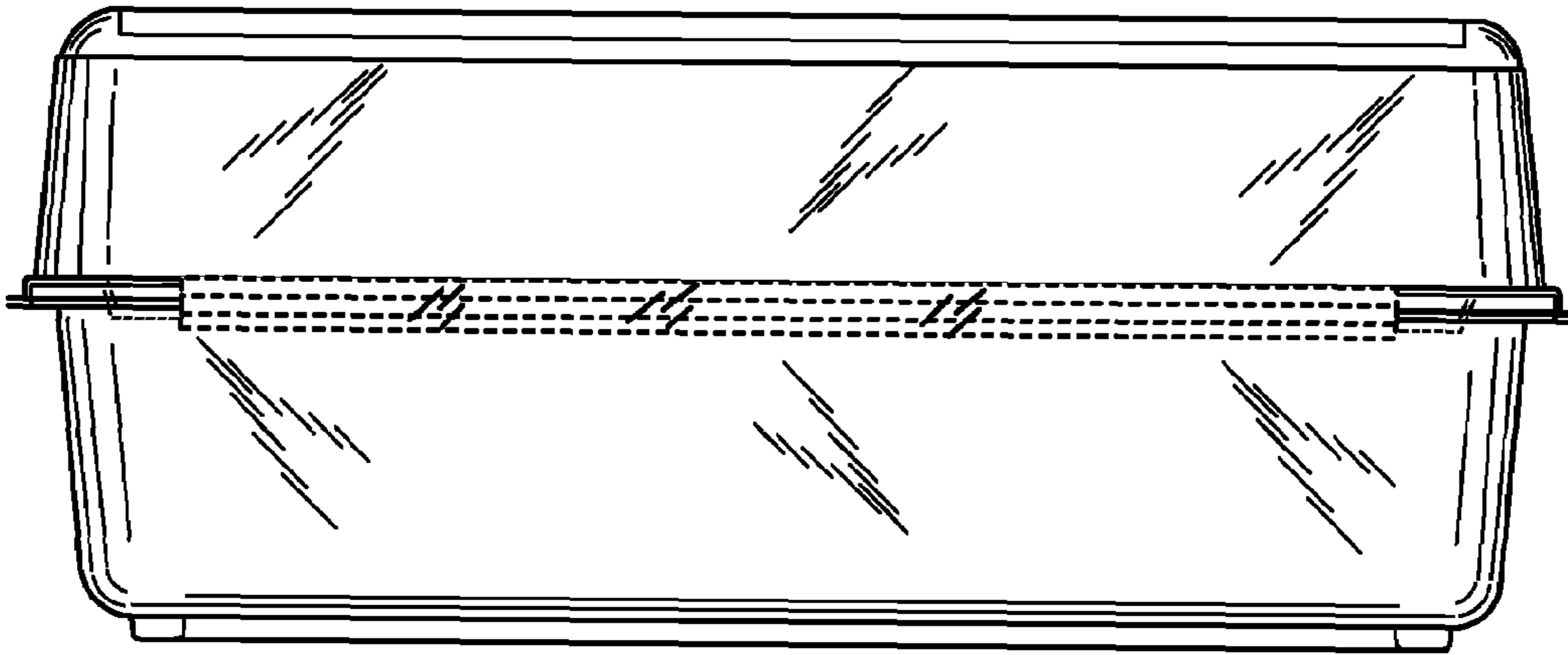


FIG. 5

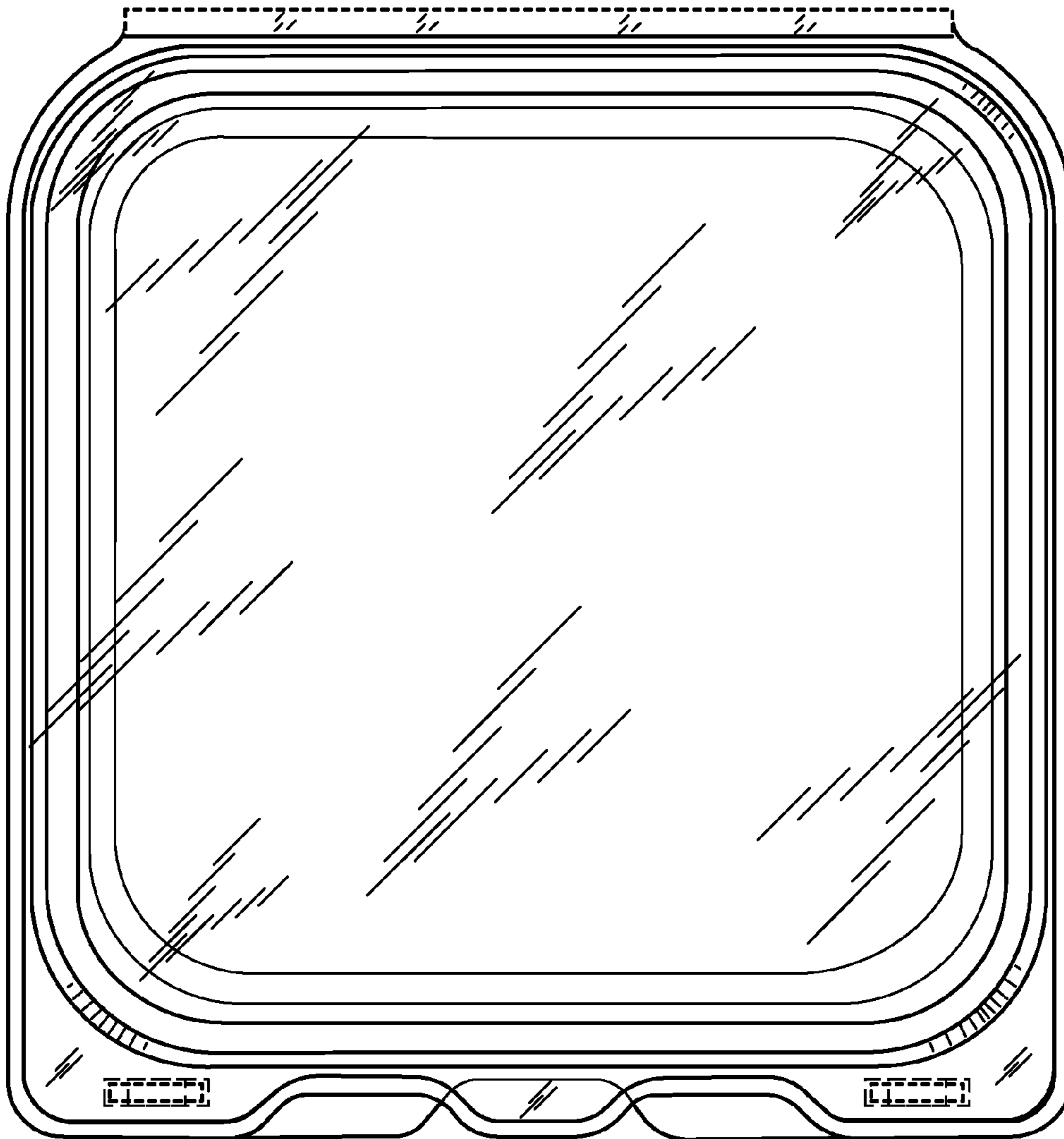


FIG. 6

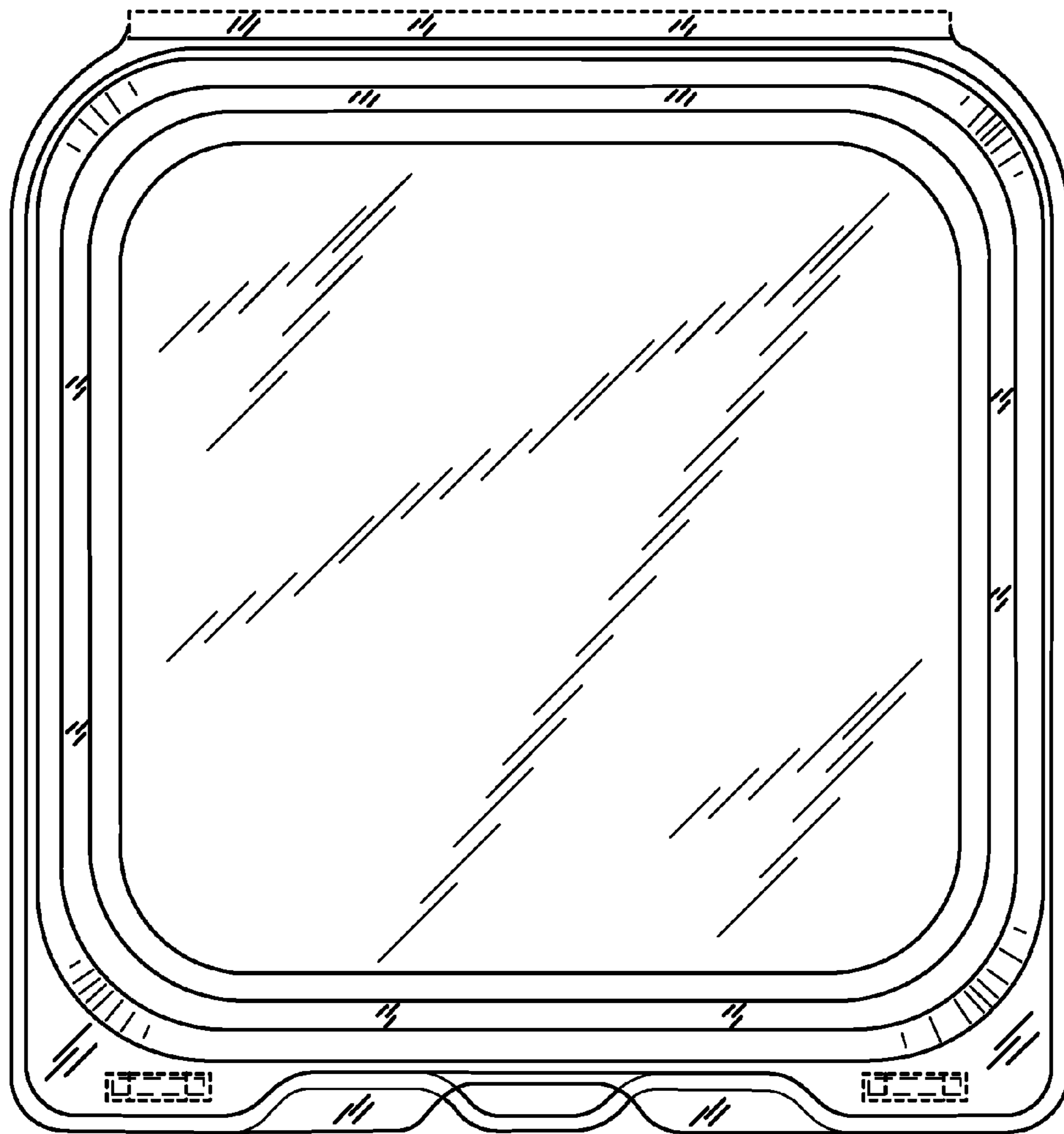


FIG. 7