



US00D577577S

(12) **United States Design Patent**
Lee et al.

(10) **Patent No.:** **US D577,577 S**
(45) **Date of Patent:** **** Sep. 30, 2008**

(54) **CABLE DISPLAY PACKAGE**

(75) Inventors: **Noel Lee**, Las Vegas, NV (US);
Kendrew Lee, San Jose, CA (US);
Jacky Hsiung, San Jose, CA (US)

(73) Assignee: **Monster Cable Products, Inc.**,
Brisbane, CA (US)

(**) Term: **14 Years**

(21) Appl. No.: **29/299,428**

(22) Filed: **Dec. 26, 2007**

(51) **LOC (8) Cl.** **09-03**

(52) **U.S. Cl.** **D9/415**

(58) **Field of Classification Search** D9/715,
D9/718, 722, 730, 414, 415, 418, 419; 206/756,
206/763, 765, 205, 207, 225, 303, 320, 701-728,
206/389, 403-406, 461-471, 775, 776, 781,
206/806

See application file for complete search history.

(56) **References Cited**

U.S. PATENT DOCUMENTS

4,781,289	A *	11/1988	Perkins	206/45.24
D306,561	S *	3/1990	Lee	D9/415
D328,249	S *	7/1992	Lee	D9/415
D405,367	S *	2/1999	Lee et al.	D9/415
5,875,893	A *	3/1999	Lee et al.	206/463
D480,963	S *	10/2003	Lee	D9/415
D504,064	S *	4/2005	Lee et al.	D9/415
D517,907	S *	3/2006	Lee et al.	D9/415
D521,860	S *	5/2006	Lee et al.	D9/415

D521,861	S *	5/2006	Lee et al.	D9/415
7,293,651	B2 *	11/2007	Lee et al.	206/463
2008/0023369	A1 *	1/2008	Lee et al.	206/722

* cited by examiner

Primary Examiner—Catherine Tuttle

(74) *Attorney, Agent, or Firm*—LaRiviere, Grubman & Payne, LLP

(57) **CLAIM**

The ornamental design for a cable display package, as shown and described .

DESCRIPTION

A portion of the disclosure of this patent document contains material which is subject to copyright protection. The copyright owner has no objection to the facsimile reproduction by any one of the patent document or the patent disclosure, as it appears in the Patent and Trademark Office patent file or records, but otherwise reserves all copyright rights whatsoever.

FIG. 1 is a perspective view of a cable display package, showing our new design;

FIG. 2 is a front elevation view thereof;

FIG. 3 is a rear elevation view thereof;

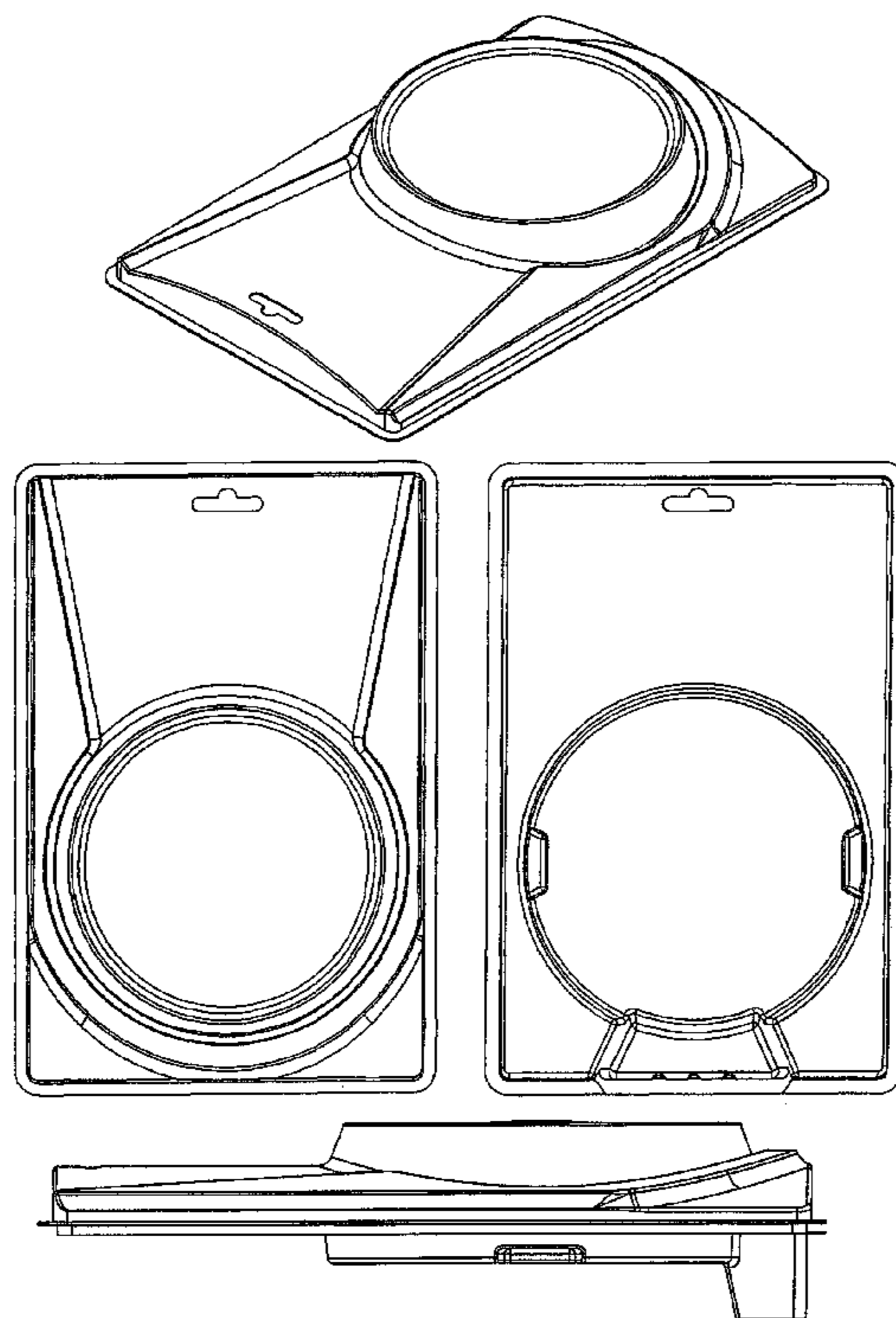
FIG. 4 is a left side elevation view thereof;

FIG. 5 is a right side elevation view thereof.

FIG. 6 is a top plan view thereof; and,

FIG. 7 is a bottom plan view thereof.

1 Claim, 3 Drawing Sheets



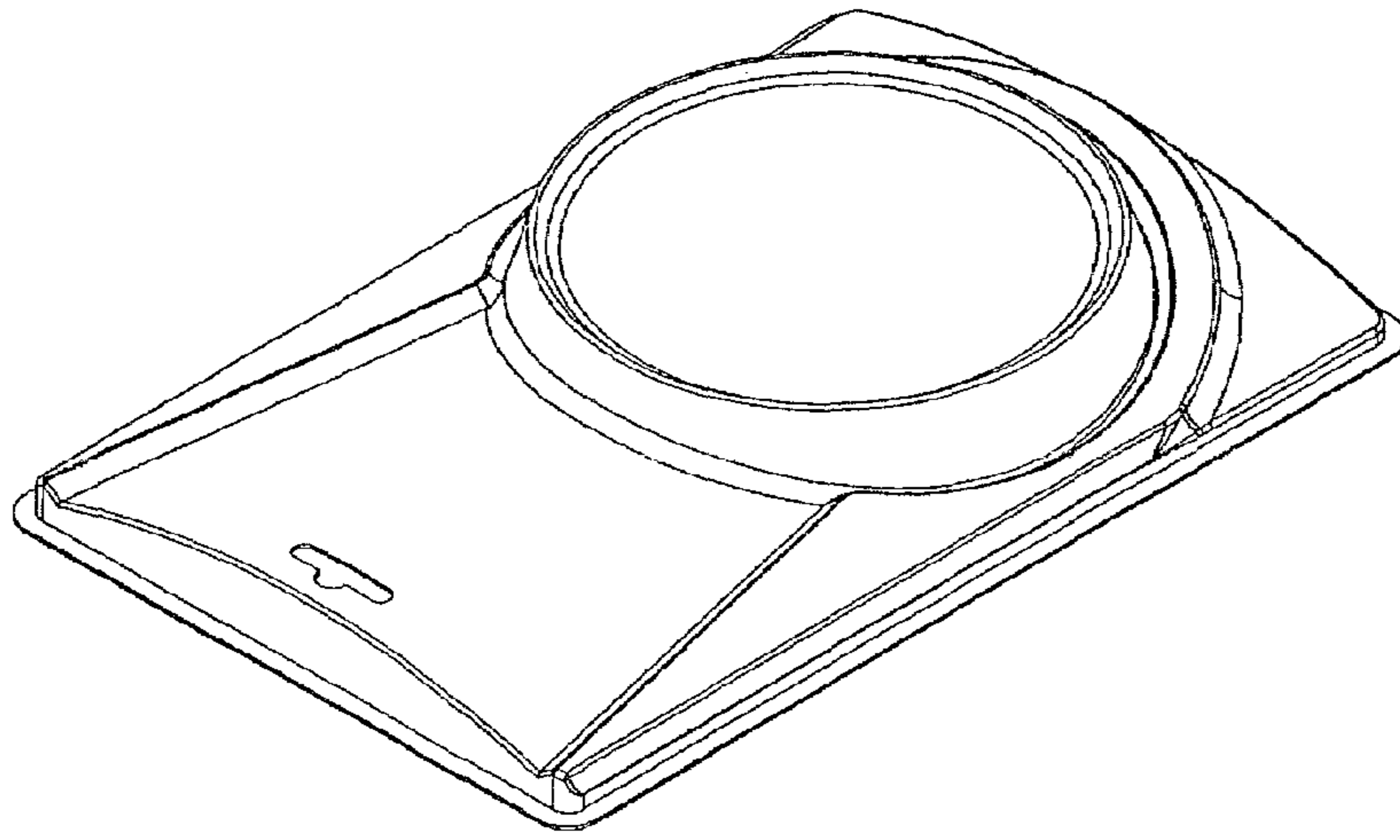


Figure 1

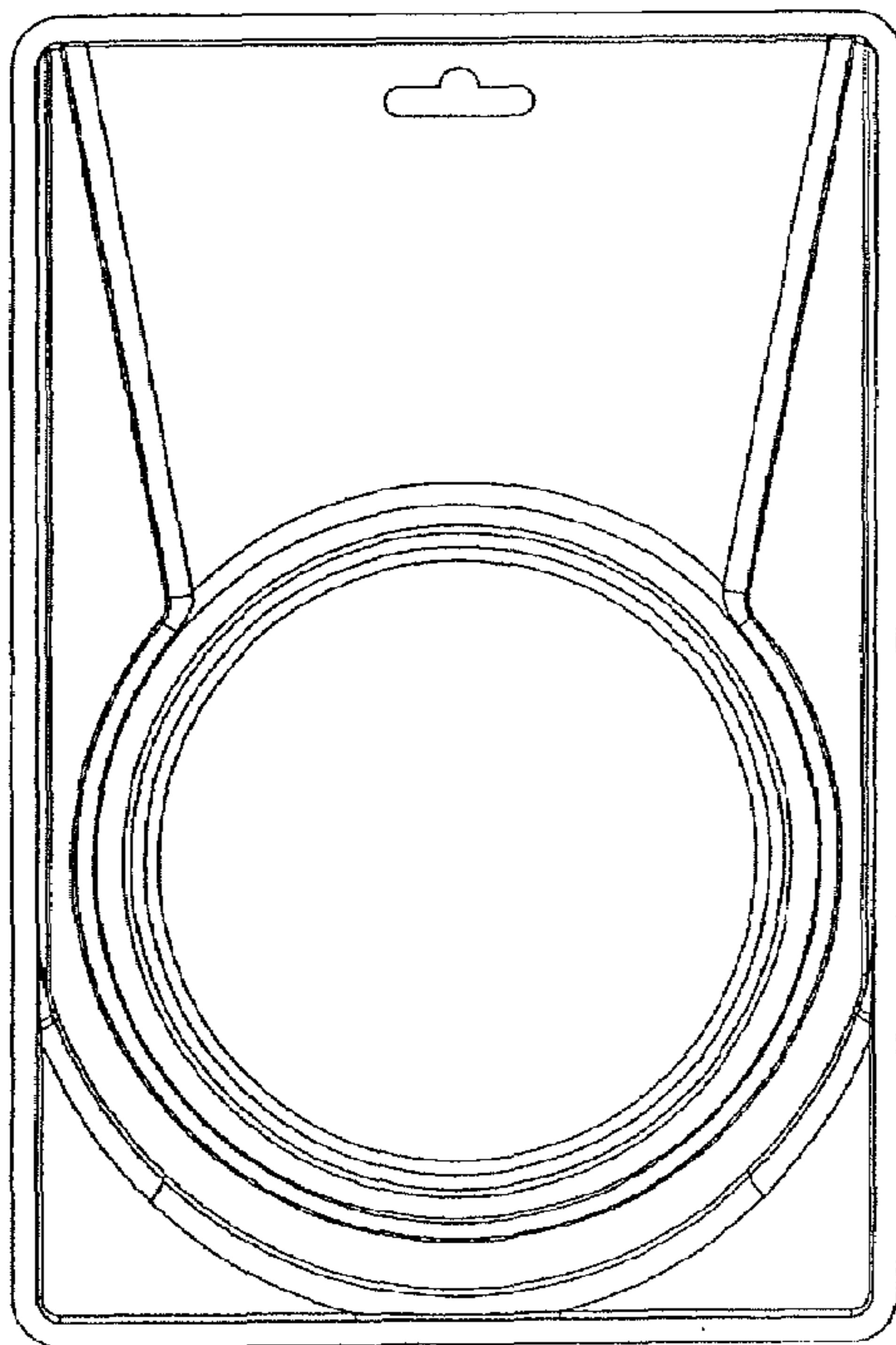


Figure 2

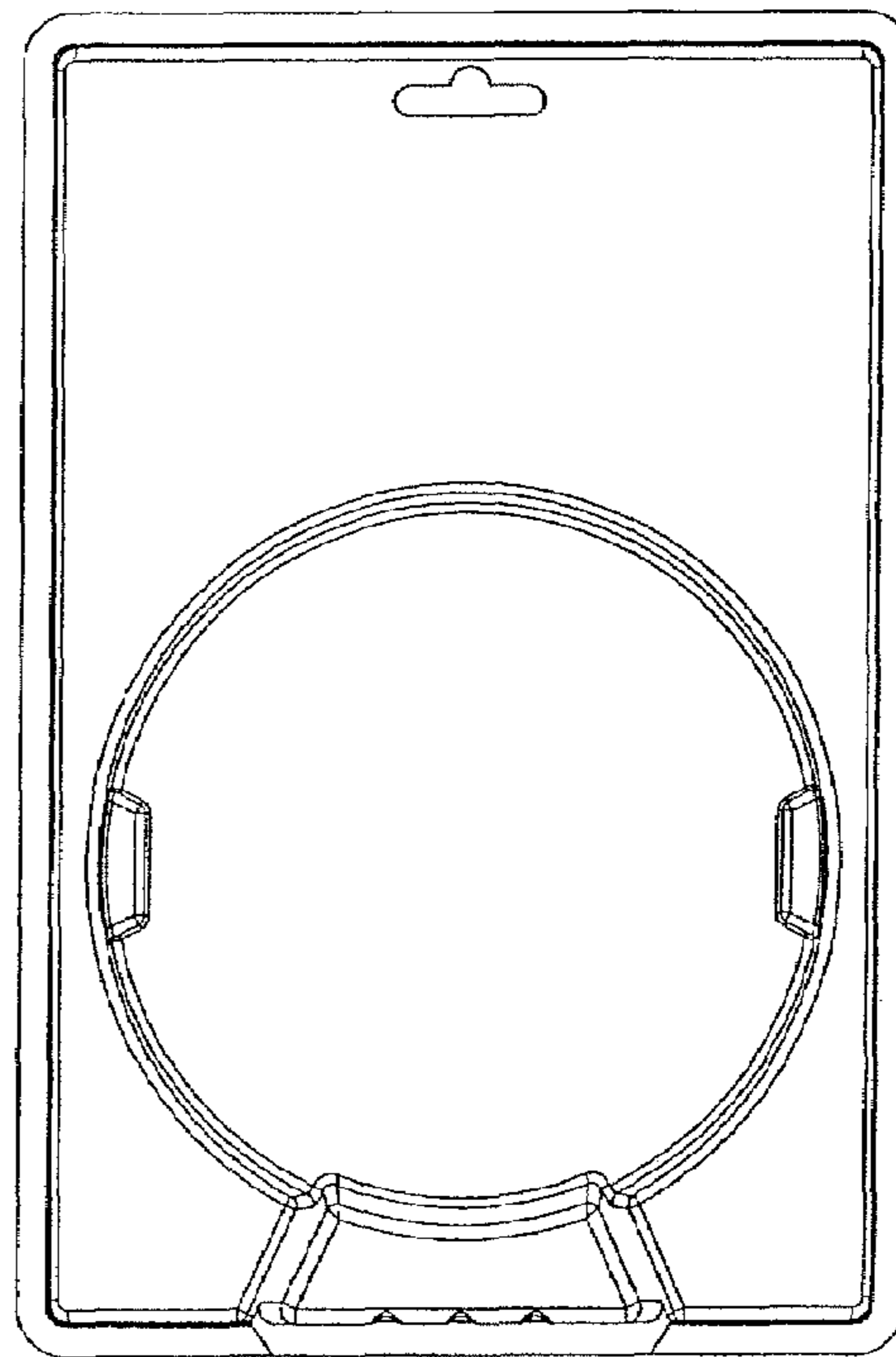


Figure 3

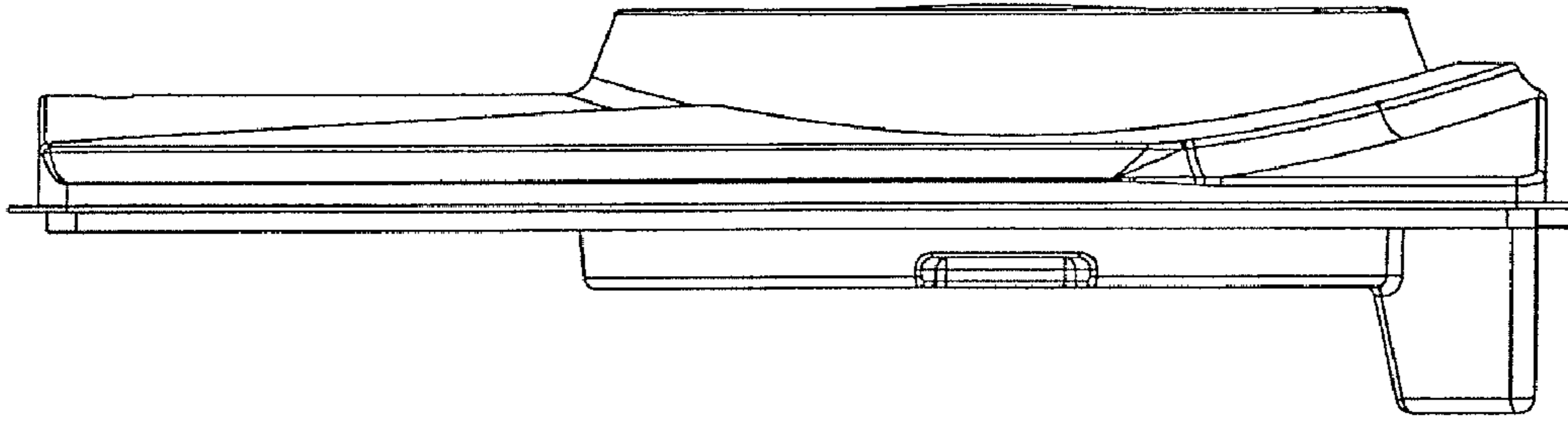


Figure 4

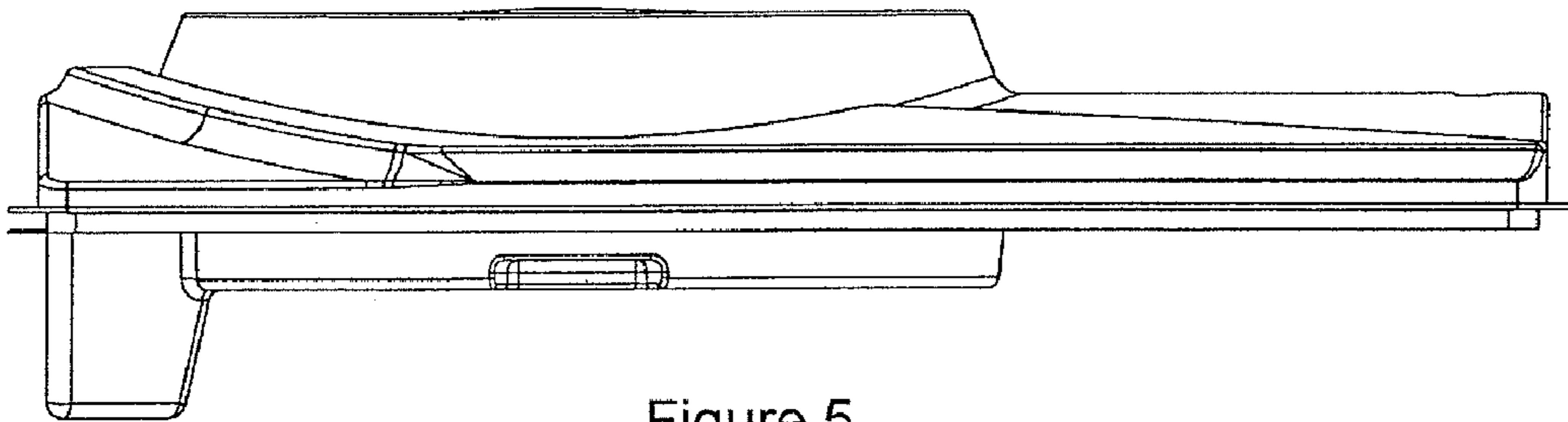


Figure 5

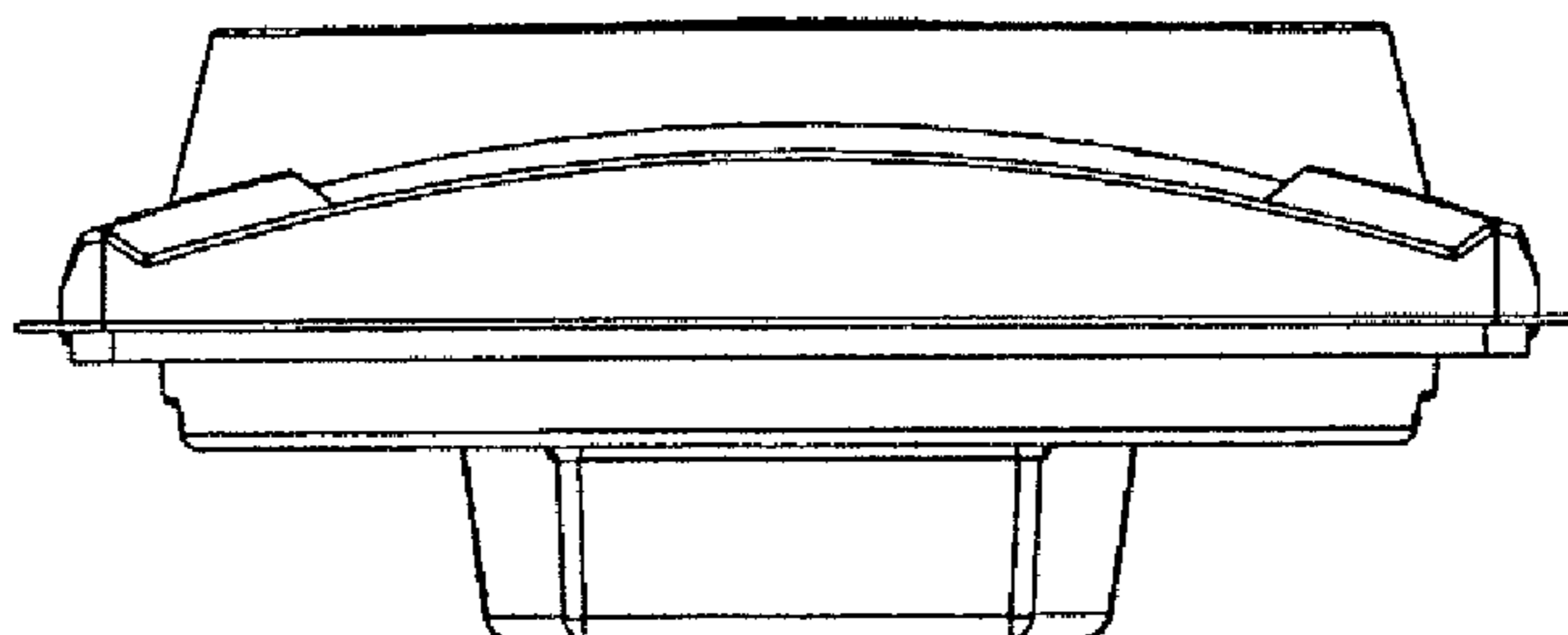


Figure 6

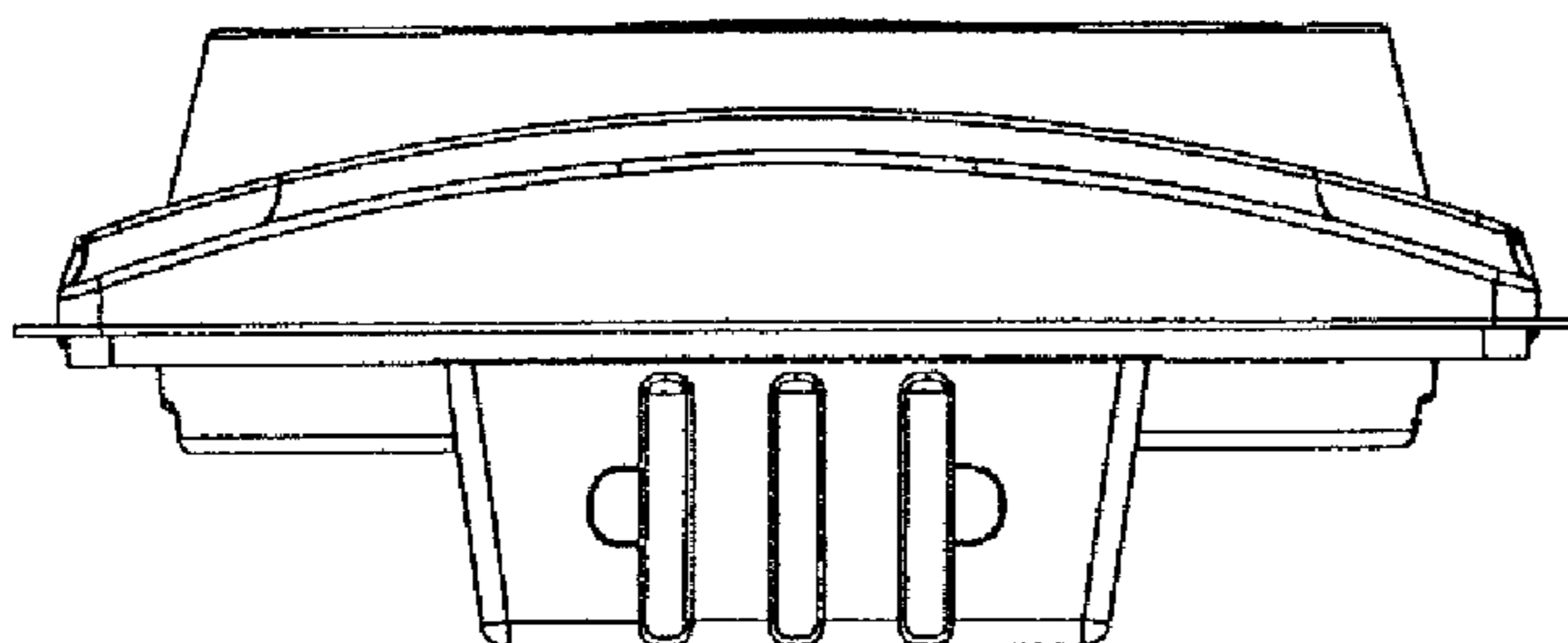


Figure 7