



US00D577569S

(12) **United States Design Patent**
Gast

(10) **Patent No.:** **US D577,569 S**

(45) **Date of Patent:** **** Sep. 30, 2008**

(54) **PADLOCK SHACKLE**

(75) Inventor: **Robert L. Gast**, Irvine, CA (US)

(73) Assignee: **Hampton Products International Corporation**, Foothill Ranch, CA (US)

(**) Term: **14 Years**

(21) Appl. No.: **29/291,371**

(22) Filed: **Aug. 24, 2007**

(51) **LOC (8) Cl.** **08-07**

(52) **U.S. Cl.** **D8/343**

(58) **Field of Classification Search** D8/330,
D8/331, 333, 334, 343, 344, 356, 367, 382,
D8/383, 499; 70/14, 18, 32, 34, 35, 38 A,
70/38 B, 38 C, 53, 54, 56

See application file for complete search history.

(56) **References Cited**

U.S. PATENT DOCUMENTS

568,701 A	9/1896	Robets	
767,004 A	8/1904	Muchowicz	
1,016,455 A	2/1912	Stone	
1,629,388 A	5/1927	Jackson	
1,777,424 A	10/1930	Atkins	
D484,777 S	1/2004	Ruan	
D491,044 S	6/2004	Vito	
D520,339 S	5/2006	Heppner	
D524,145 S	7/2006	Heppner	
D528,401 S	9/2006	Ruan	
D528,402 S *	9/2006	Ruan	D8/343
D529,368 S *	10/2006	Ruan	D8/343
D529,369 S	10/2006	Ruan	
D529,786 S	10/2006	Heppner	
D533,437 S *	12/2006	Ruan	D8/343
D533,764 S	12/2006	Heppner	
D539,114 S *	3/2007	Vito	D8/343
D541,631 S	5/2007	Heppner	
D545,175 S *	6/2007	Vito	D8/343

D545,177 S *	6/2007	Vito	D8/343
D547,162 S *	7/2007	Heppner	D8/343
D547,635 S *	7/2007	Vito	D8/343
D548,568 S *	8/2007	Vito	D8/343
D548,569 S *	8/2007	Vito	D8/343
D549,076 S *	8/2007	Vito	D8/343
D549,554 S *	8/2007	Heppner	D8/343

* cited by examiner

Primary Examiner—Mitchell I. Siegel

Assistant Examiner—Shanda C Hill

(74) *Attorney, Agent, or Firm*—William G. Lane

(57) **CLAIM**

What is claimed is the ornamental design for padlock shackle, as shown and described.

DESCRIPTION

FIG. 1 is a top plan view of the first embodiment of a padlock shackle showing my new design;

FIG. 2 is a front view thereof, the back view being a mirror image;

FIG. 3 is a side view thereof, the opposite side view being a mirror image;

FIG. 4 is a cross sectional view taken along line 4—4 of FIG. 2;

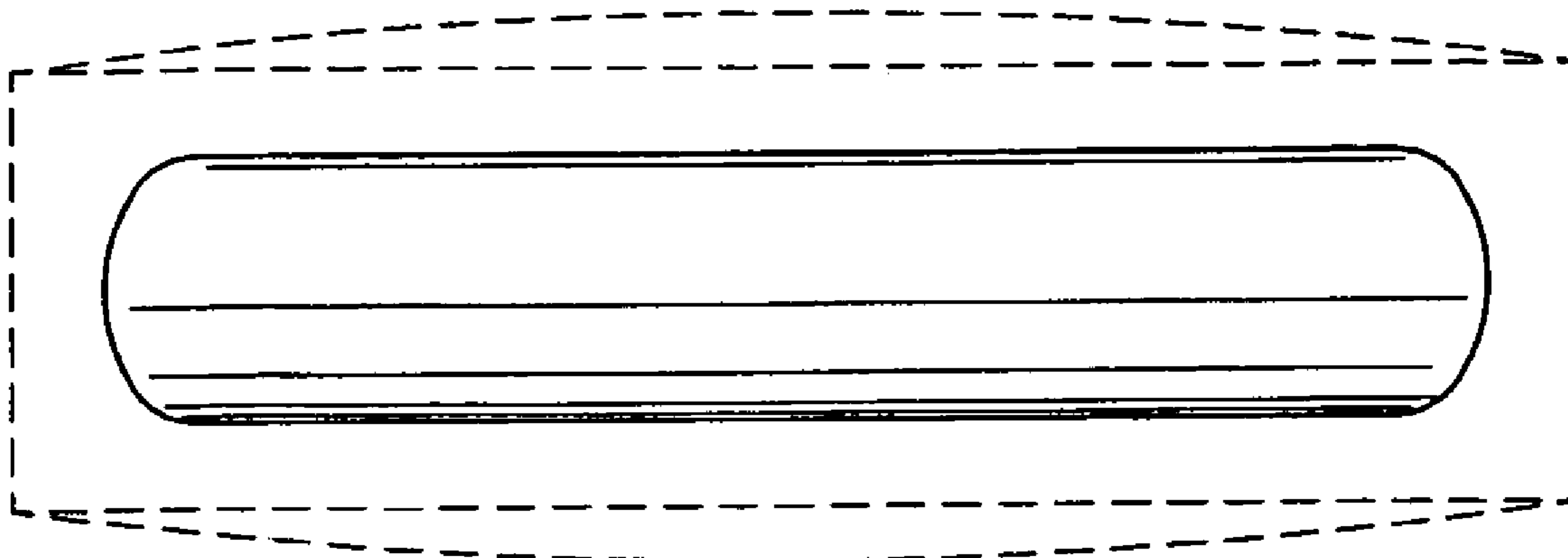
FIG. 5 is an enlarged cross sectional view taken along line 5—5 of FIG. 2;

FIG. 6 is a front view of the second embodiment of the padlock shackle, the back view being a mirror image; and,

FIG. 7 is a front view of the third embodiment of the padlock shackle, the back view being a mirror image.

The broken lines shown in the drawing disclosure are for illustrative purposes only and form no part of the claimed design.

1 Claim, 3 Drawing Sheets



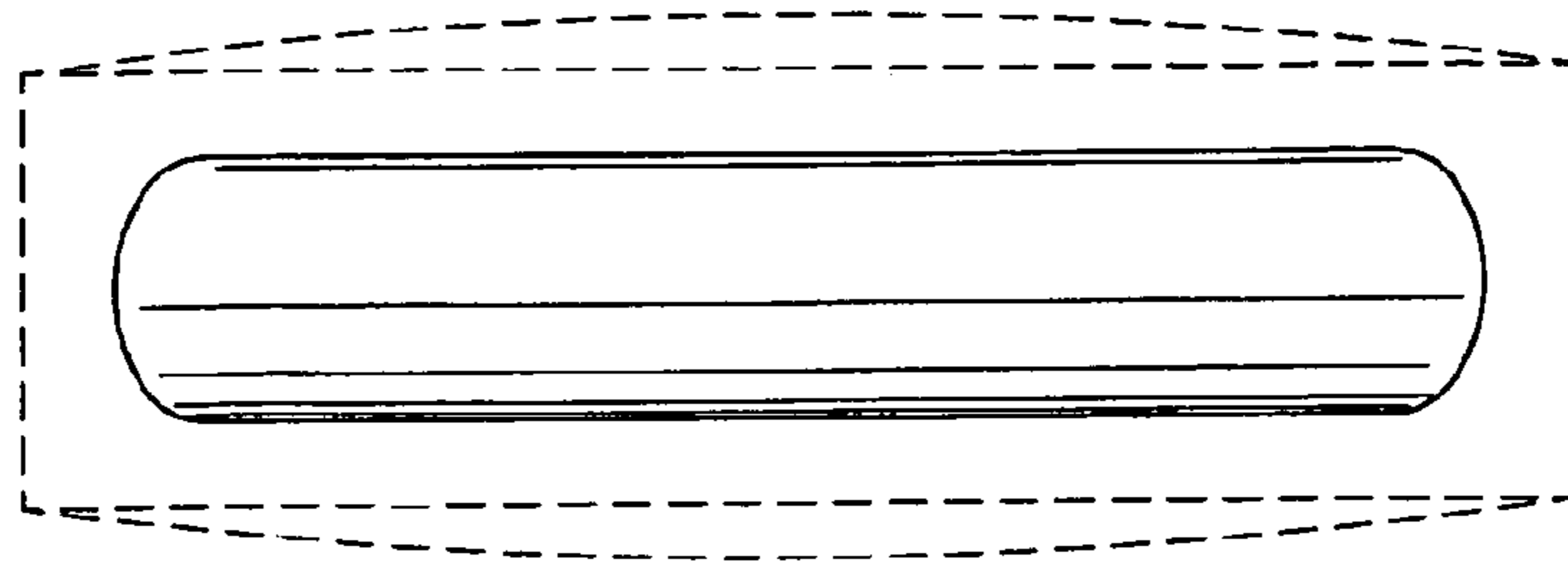


Fig. 1

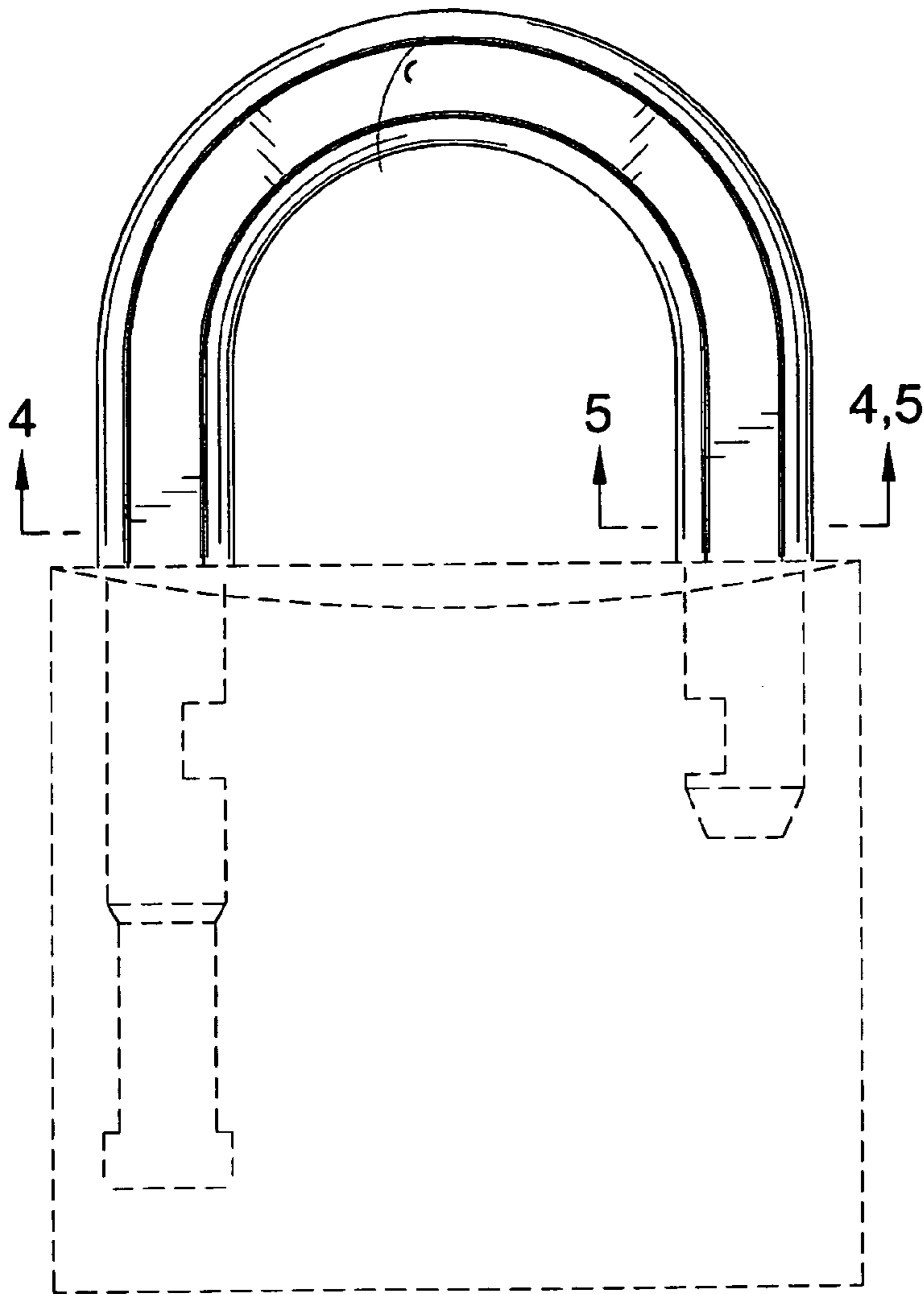


Fig. 2

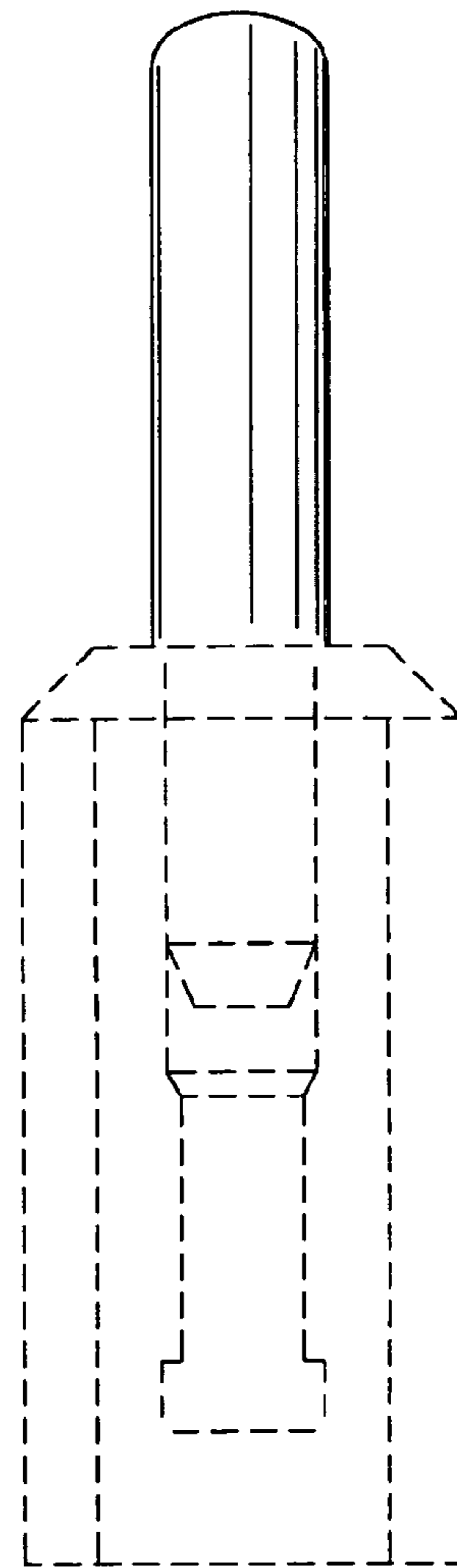


Fig. 3

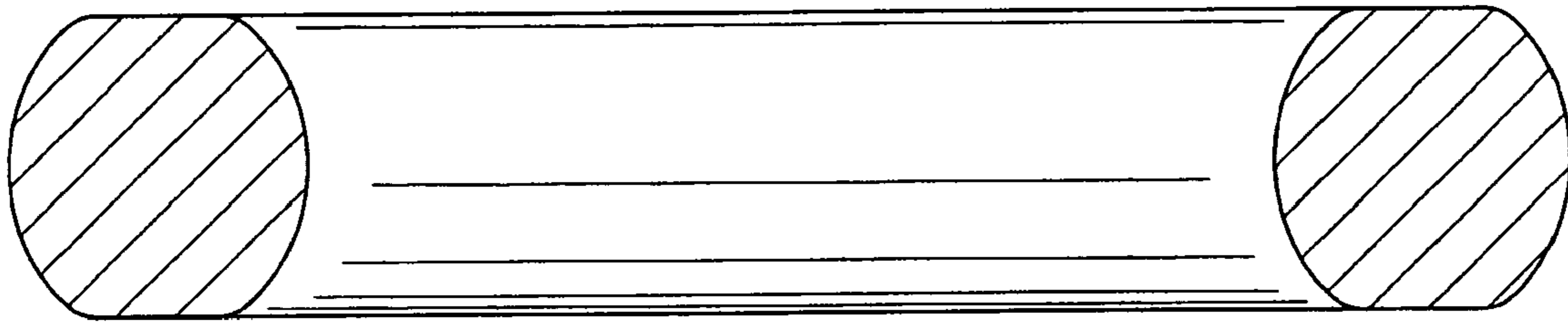


Fig. 4

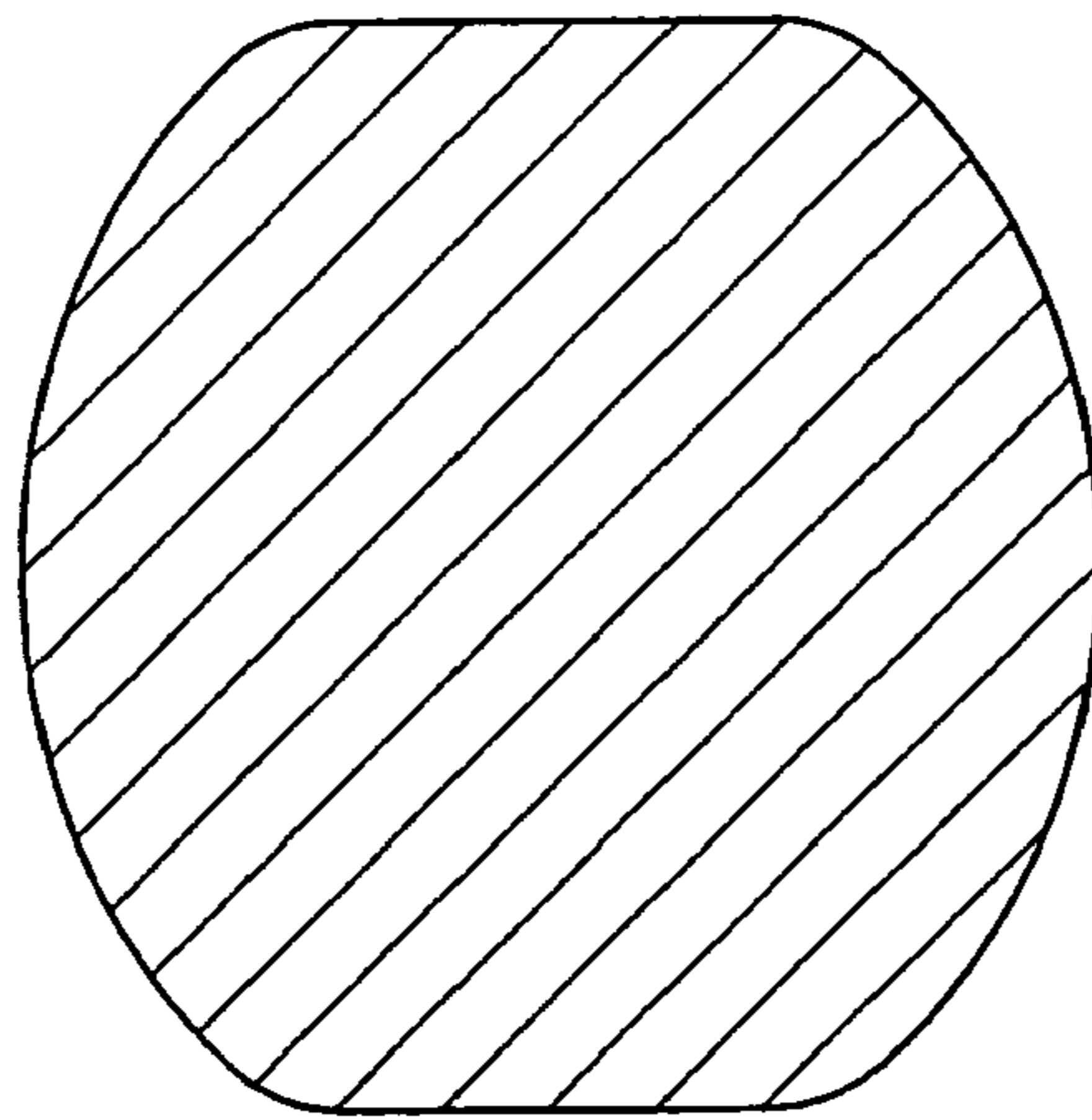


Fig. 5

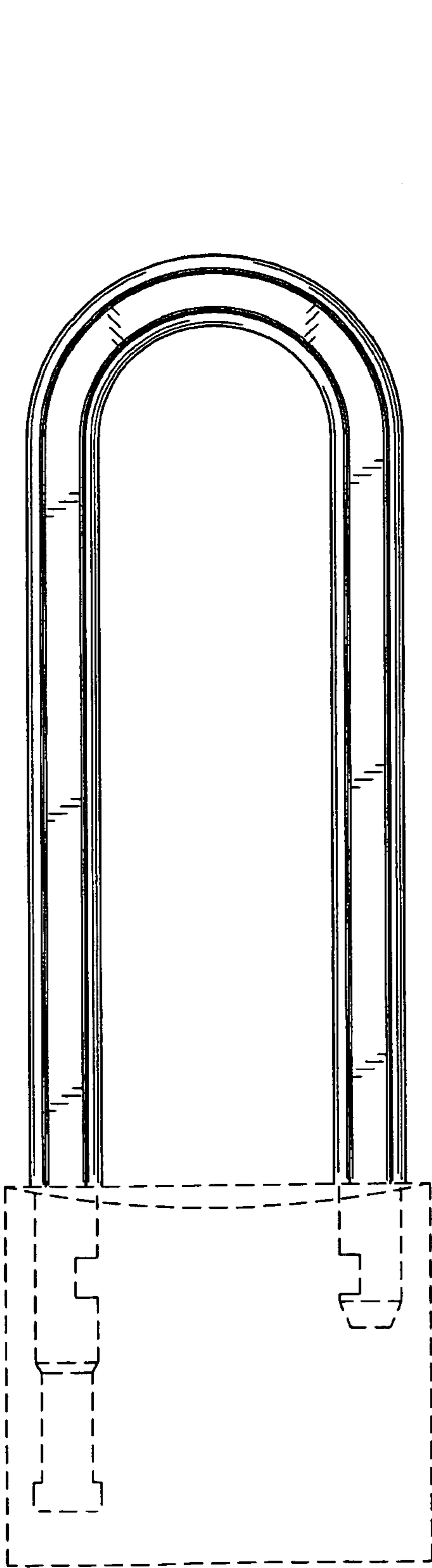


Fig. 6

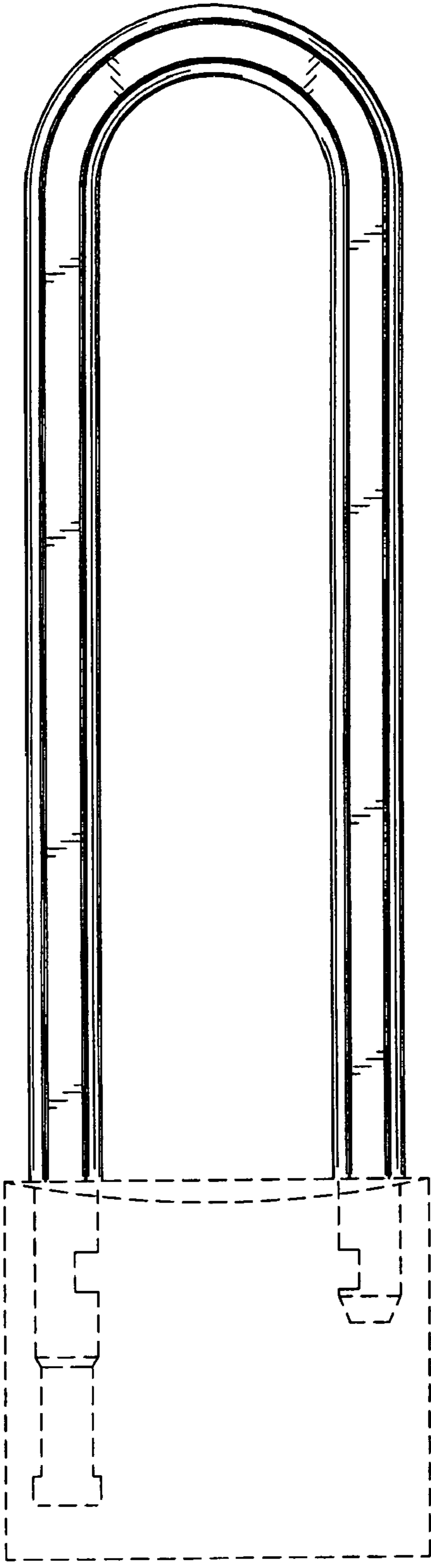


Fig. 7