



US00D577568S

(12) **United States Design Patent**
Gast

(10) **Patent No.:** **US D577,568 S**
(45) **Date of Patent:** **** Sep. 30, 2008**

- (54) **PADLOCK SHACKLE**
- (75) Inventor: **Robert L. Gast**, Irvine, CA (US)
- (73) Assignee: **Hampton Products International Corporation**, Foothill Ranch, CA (US)
- (**) Term: **14 Years**
- (21) Appl. No.: **29/291,368**
- (22) Filed: **Aug. 24, 2007**
- (51) **LOC (8) Cl.** **08-07**
- (52) **U.S. Cl.** **D8/334; D8/343**
- (58) **Field of Classification Search** D8/330,
D8/331, 333, 334, 343, 499; 70/14, 18, 24,
70/32, 34, 35, 38 A, 38 B, 38 C, 53, 20, 22,
70/26

See application file for complete search history.

(56) **References Cited**

U.S. PATENT DOCUMENTS

247,674 A * 9/1881 Miller 70/25

(Continued)

Primary Examiner—Prabhakar Deshmukh

(74) *Attorney, Agent, or Firm*—William G. Lane

(57) **CLAIM**

The ornamental design for padlock shackle, as shown and described.

DESCRIPTION

FIG. 1 is a top plan view of a padlock shackle showing my new design;

FIG. 2 is a front elevational view thereof, the rear elevational view being a mirror image thereof;

FIG. 3 is a left side elevational view thereof, the right side elevational view being a mirror image thereof;

FIG. 4 is an enlarged scale sectional view taken along line 4—4 of FIG. 2;

FIG. 5 is an enlarged sectional view taken along line 5—5 of FIG. 2;

FIG. 6 is a front elevational view of a second embodiment of FIG. 2, the rear elevational view being a mirror image thereof; and,

FIG. 7 is a front elevational view of a third embodiment of FIG. 2, the rear elevational view being a mirror image thereof.

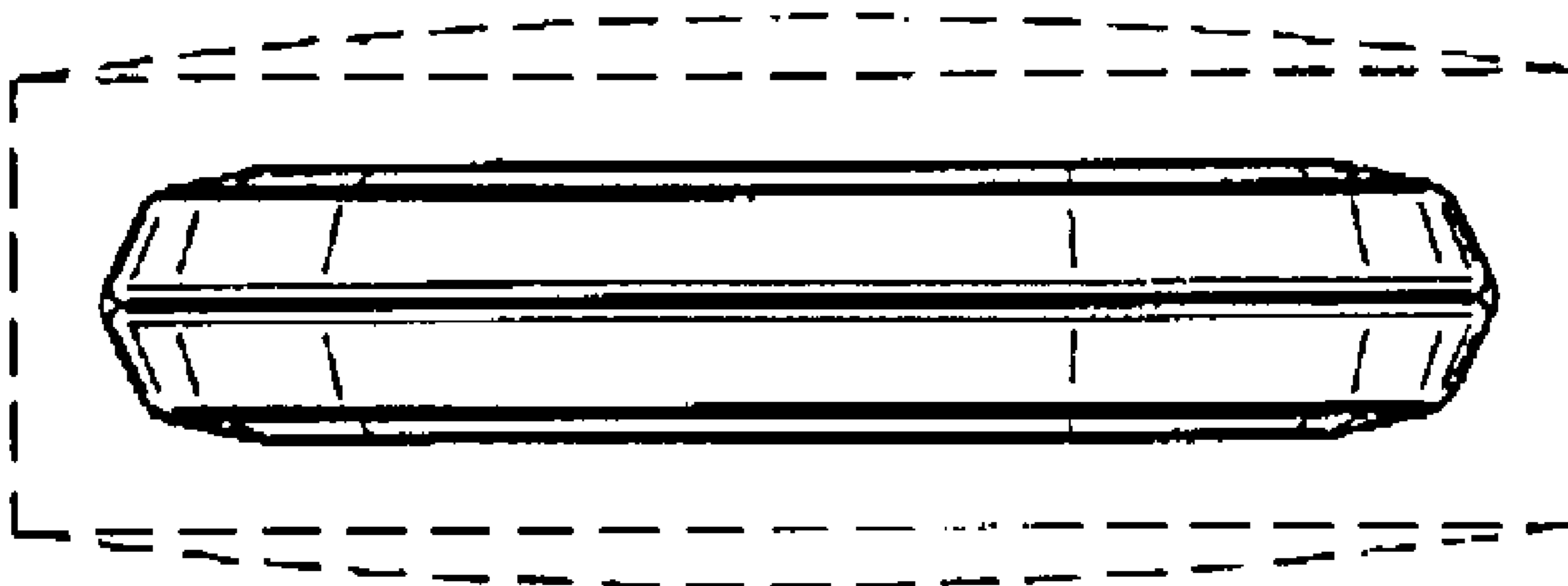
FIGS. 6 and 7 show padlock shackles with longer arms shackle with respect to FIG. 2, otherwise all views for FIGS. 6 and 7 are the same. The broken lines showing of padlock is for illustrative purpose only and from no part of the claimed design. The broken lines, which define the bounds of the claimed design, form no part thereof.

The new and ornamental design of the padlock shackle is the exposed part of the shackle visible when the padlock is locked. The toe and heel of the shackle, shown in phantom in the drawings, are not part of the design; the toe and heel of the padlock shackle are locked in the padlock body and not visible when the padlock is locked. The minimal cross section diameter of the shackle (the diameter of the cross section inscribed circle) is at least equal to the diameter of the heel and toe.

The new and ornamental design reside in the shape of the shackle including its exterior contour and cross sectional shape (FIGS. 4 & 5) and the orientation of the exterior shape and cross section to the lock body depicted in phantom in the drawing. The exterior contour and cross sectional design shape is that of a normal polygon having soft corner vertices rather than sharp edged vertices. The shackle is not limited to a particular length (FIGS. 2, 6 & 7). Shackles come in all lengths and the length of the shackle is not part of invention. The new design covers all lengths of shackles and the padlock shackle shown in all FIGS. 1 through 7 has the same exterior contour and cross section design shape. However the full length of the shackle, excluding its toe and heel, whatever the length, has the same exterior contour and cross sectional design shape.

The portions of the figures shown in broken lines are environmental structure and boundaries and form no part of the inventive design of the padlock shackle. The broken line transversing the bottom of the shackle represents the bounds of the claimed design and that broken line together with the other broken lines are directed to environment and are for orientation purposes; the broken lines form no part of the claimed invention. However, in use, the design portion of the shackle may extend down into the top of the padlock body to enhance lock security.

1 Claim, 2 Drawing Sheets



US D577,568 S

Page 2

U.S. PATENT DOCUMENTS

526,740	A *	10/1894	Rapaport	70/25	D491,044	S	6/2004	Vito	
767,004	A	8/1904	Muchowicz		D520,339	S	5/2006	Heppner	
1,016,455	A	2/1912	Stone		D524,145	S	7/2006	Heppner	
1,629,388	A	5/1927	Jackson		D528,401	S	9/2006	Ruan	
1,777,424	A	10/1930	Atkins		D529,369	S	10/2006	Ruan	
4,561,272	A *	12/1985	Goldstein	70/417	D529,786	S	10/2006	Heppner	
D352,223	S *	11/1994	Shieh	D8/333	D533,764	S	12/2006	Heppner	
5,372,019	A *	12/1994	Hsiao	70/38 A	D539,114	S *	3/2007	Vito	D8/343
5,727,405	A *	3/1998	Cromwell	70/38 B	D541,631	S	5/2007	Heppner	
5,737,947	A *	4/1998	Ling	70/63	D549,076	S *	8/2007	Vito	D8/343
D484,777	S	1/2004	Ruan		D549,554	S *	8/2007	Heppner	D8/343

* cited by examiner

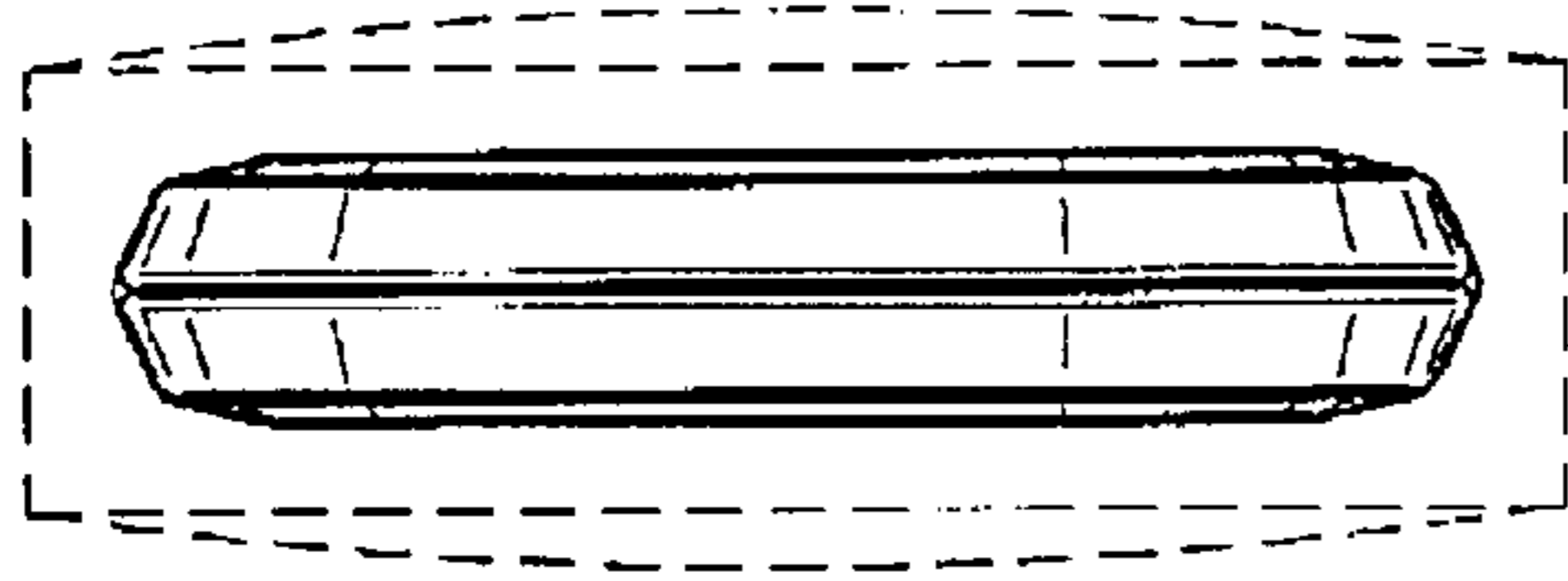


Fig. 1

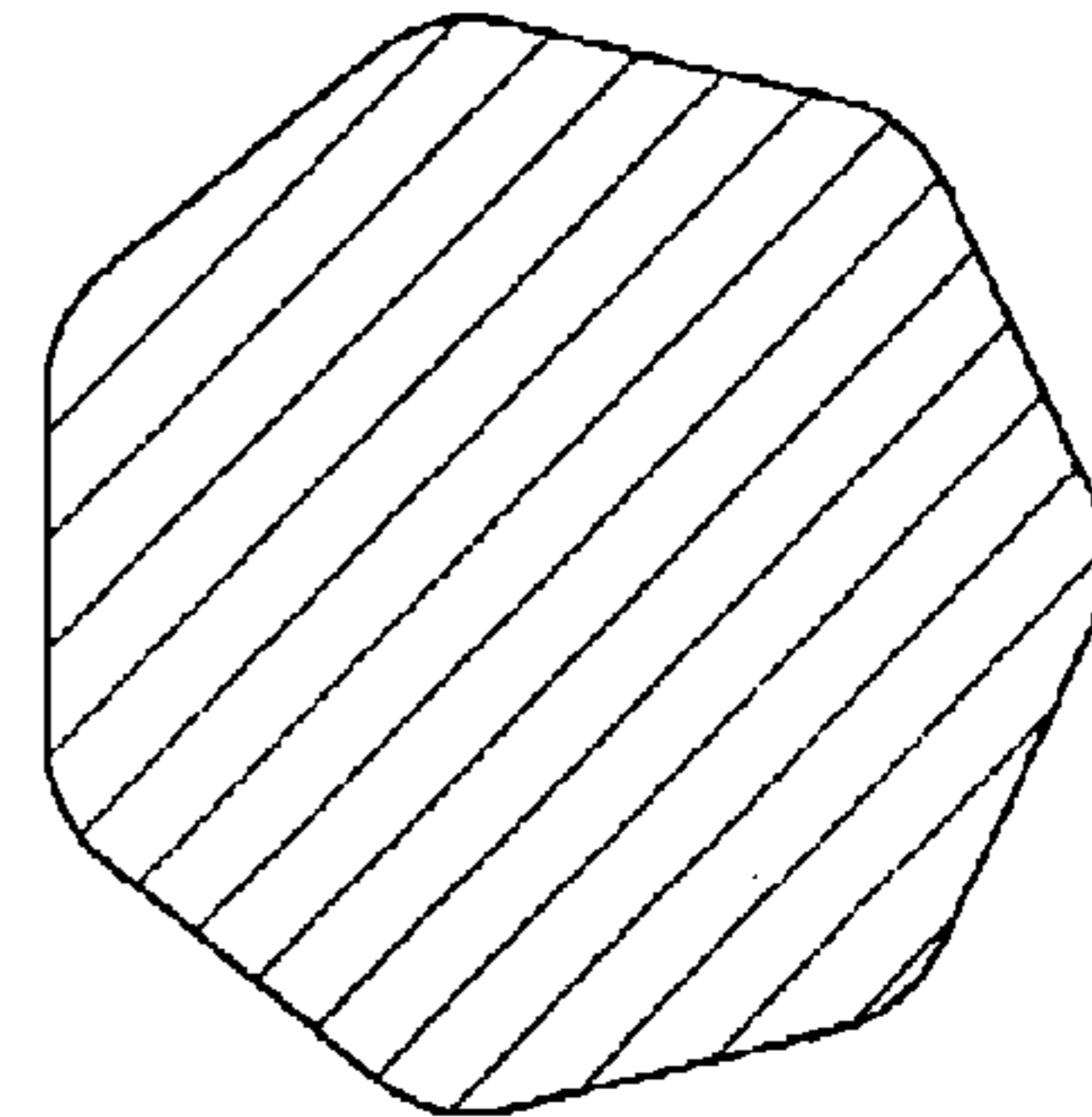


Fig. 5

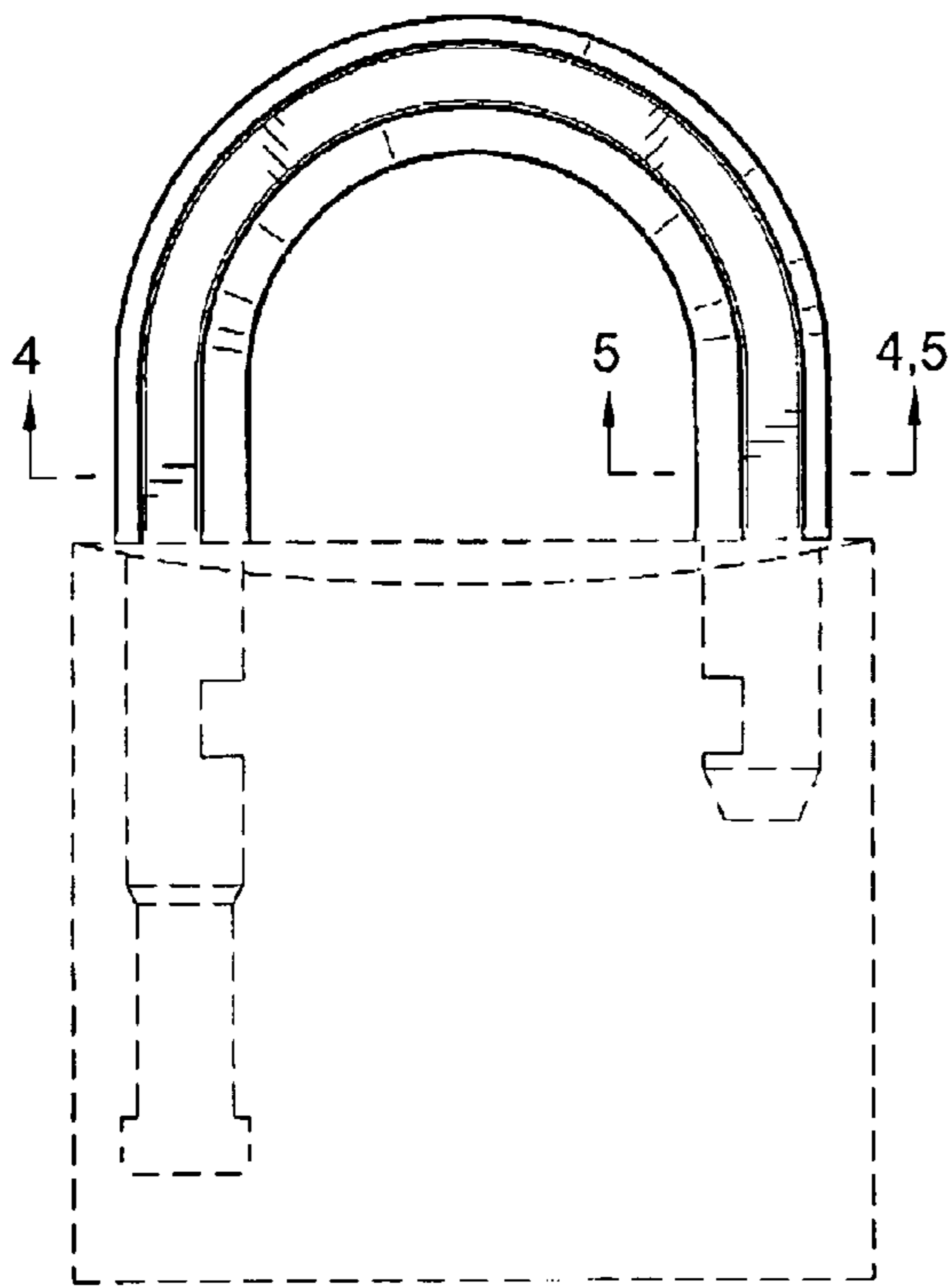


Fig. 2

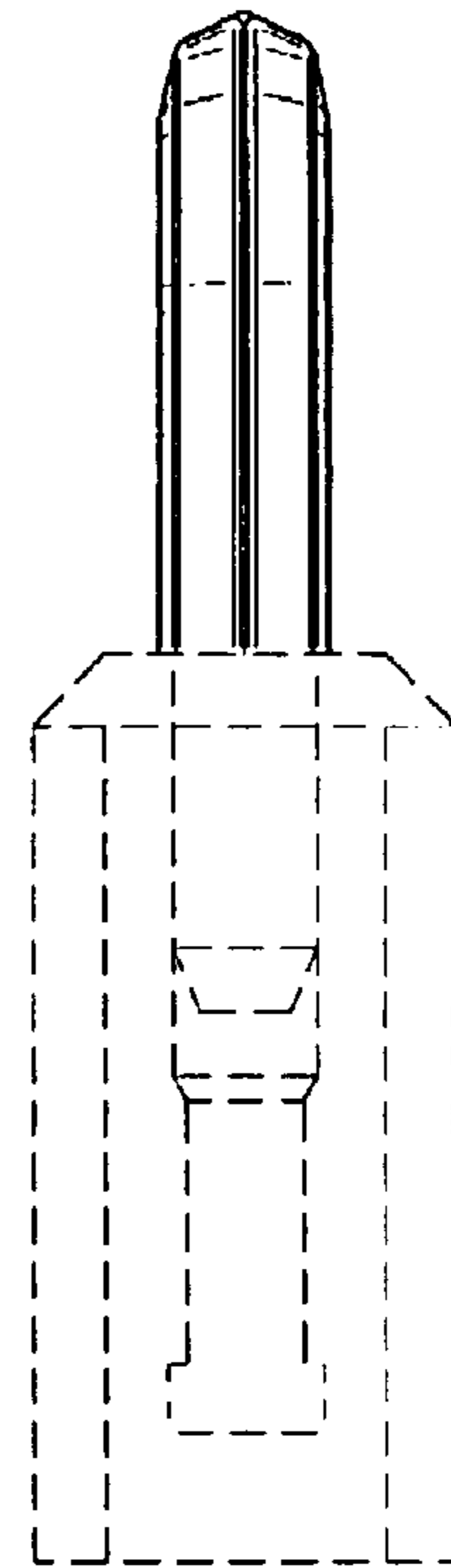


Fig. 3

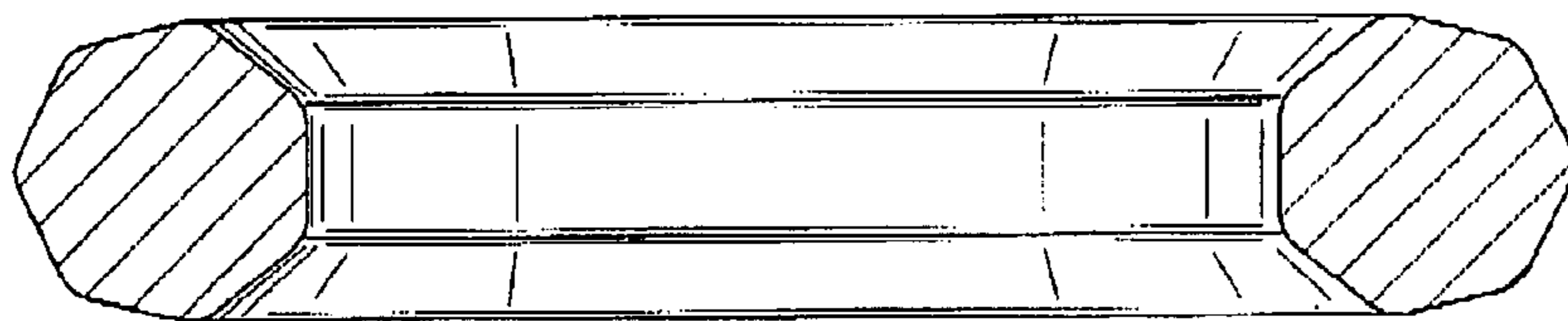


Fig. 4

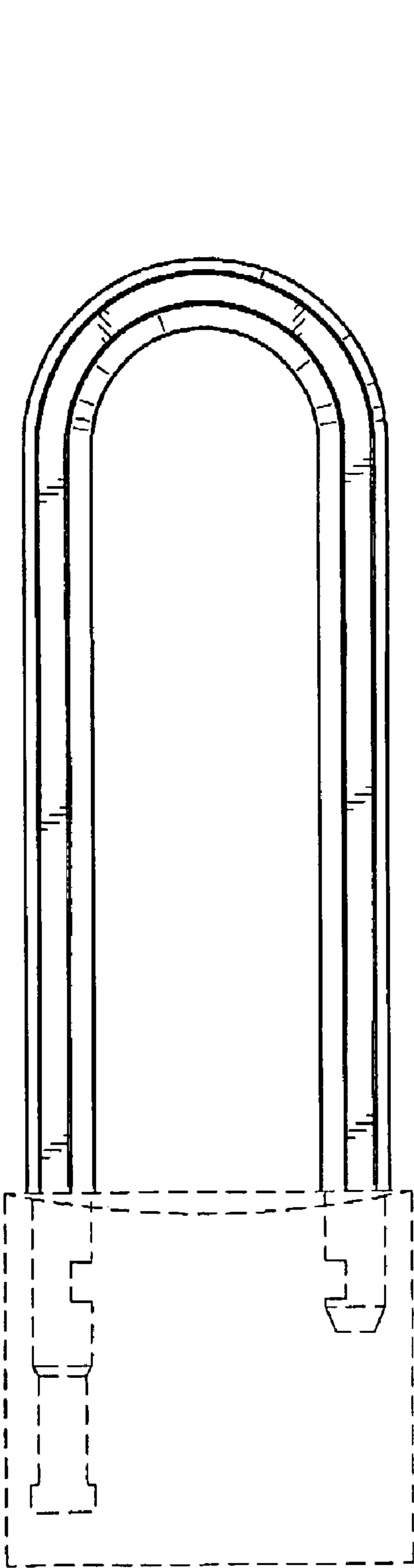


Fig. 6

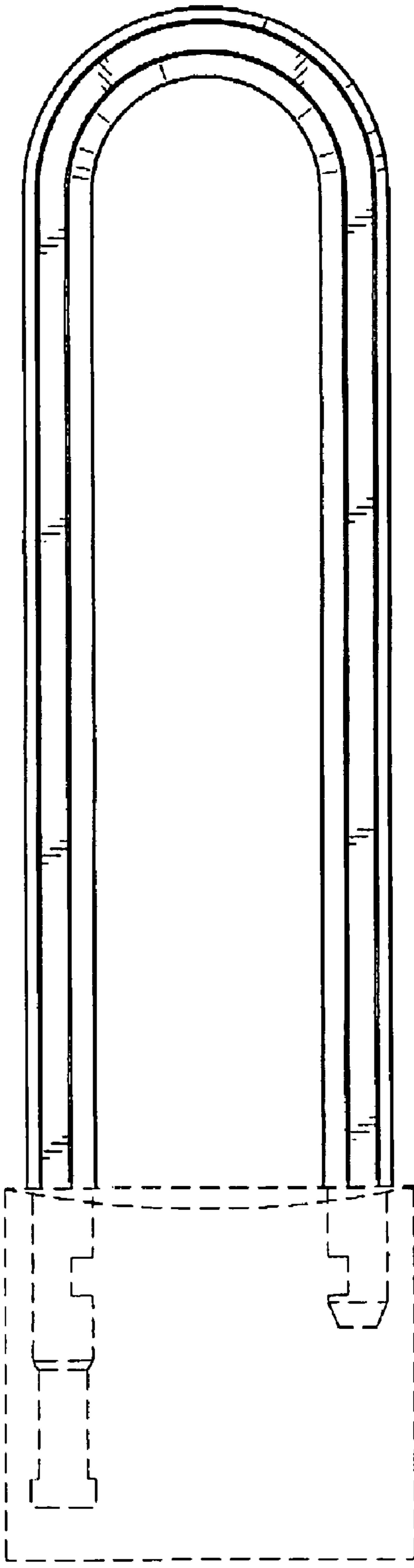


Fig. 7