



US00D577560S

(12) **United States Design Patent**  
**Franks, Jr.**

(10) **Patent No.:** **US D577,560 S**

(45) **Date of Patent:** **\*\* Sep. 30, 2008**

(54) **LIP MOUNT METER BOX CLAMP**

(75) **Inventor:** **George J. Franks, Jr.**, Inverness, IL  
(US)

(73) **Assignee:** **Senior Industries, Inc.**, Wood Dale, IL  
(US)

(\*\*) **Term:** **14 Years**

(21) **Appl. No.:** **29/250,405**

(22) **Filed:** **Nov. 13, 2006**

(51) **LOC (8) Cl.** ..... **08-05**

(52) **U.S. Cl.** ..... **D8/72**

(58) **Field of Classification Search** ..... D8/71-74,  
D8/394-397, 354-356, 382, 383, 364; 248/62,  
248/689, 124.2, 643; 81/487, 427, 321; 269/3,  
269/6, 143, 165, 240, 249, 243, 97; 29/256,  
29/257, 276; D15/140; 439/801, 803; D13/133,  
D13/120; D24/135

See application file for complete search history.

(56) **References Cited**

**U.S. PATENT DOCUMENTS**

3,431,538	A *	3/1969	Hubbard et al.	.....	D8/395
D265,171	S *	6/1982	Zukaitis	.....	D8/356
4,538,340	A *	9/1985	Ricke	.....	269/249
D392,171	S *	3/1998	Miller	.....	D8/72
D393,998	S *	5/1998	Anderson	.....	D8/394
D395,997	S *	7/1998	Coll et al.	.....	D8/354
D407,010	S *	3/1999	Sobczynski	.....	D8/354
D440,853	S *	4/2001	Welsh et al.	.....	D8/73

D442,065	S *	5/2001	Rohde	.....	D8/356
D443,493	S *	6/2001	Skeem	.....	D8/72
6,342,138	B1 *	1/2002	Brown	.....	248/689
D454,479	S *	3/2002	Kolpin	.....	D8/355
D460,400	S *	7/2002	Manthei	.....	D8/354
D464,250	S *	10/2002	Warner et al.	.....	D8/355
D480,361	S *	10/2003	Lee	.....	D13/133
D502,388	S *	3/2005	Cortez et al.	.....	D8/356
D508,676	S *	8/2005	Franks, Jr.	.....	D13/133
D548,050	S *	8/2007	Yamamoto	.....	D8/354

\* cited by examiner

*Primary Examiner*—Louis S Zarfaz

*Assistant Examiner*—David G Muller

(74) *Attorney, Agent, or Firm*—Bell, Boyd & Lloyd LLP

(57) **CLAIM**

The ornamental design for a lip mount meter box clamp, as shown and described.

**DESCRIPTION**

FIG. 1 is a front elevation view of a lip mount meter box clamp according to my new design.

FIG. 2 is a back elevation view thereof;

FIG. 3 is a left side elevation view thereof;

FIG. 4 is a right side elevation view thereof;

FIG. 5 is a top plan view thereof;

FIG. 6 is a bottom plan view thereof; and,

FIG. 7 is an isometric view thereof.

**1 Claim, 6 Drawing Sheets**

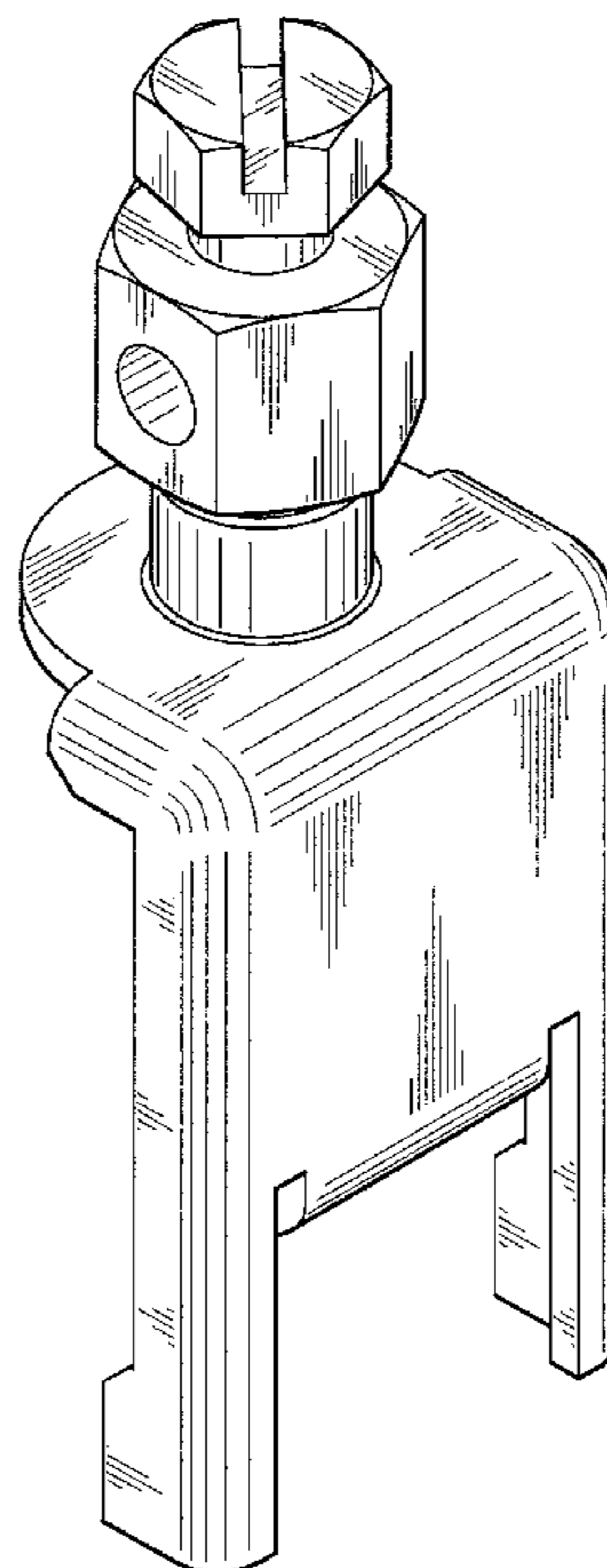


FIG. 1

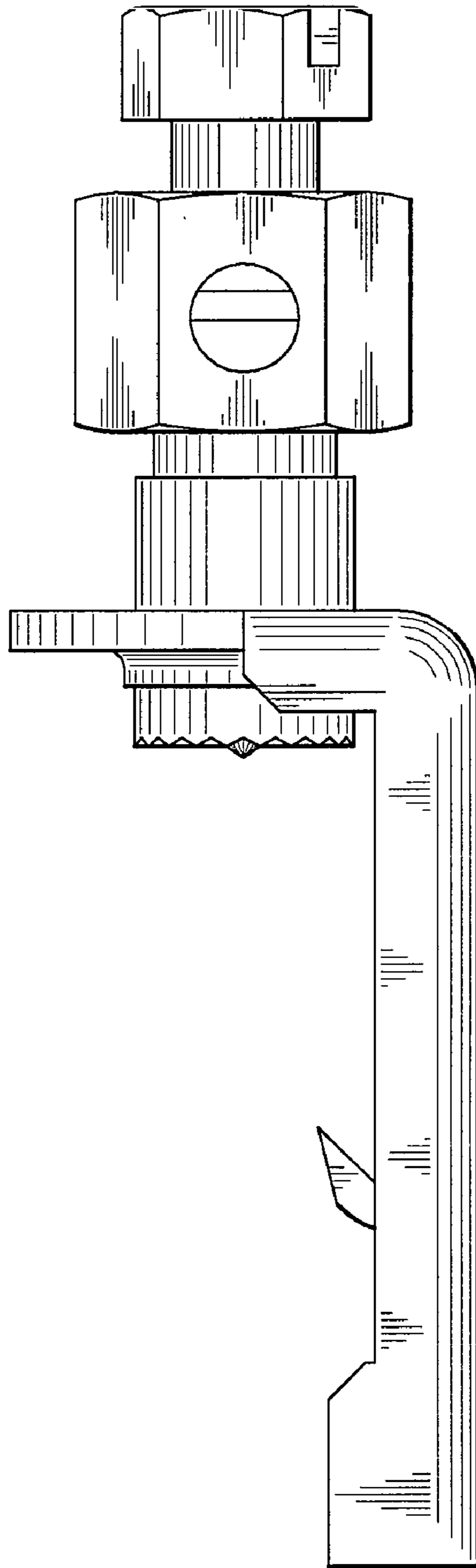


FIG. 2

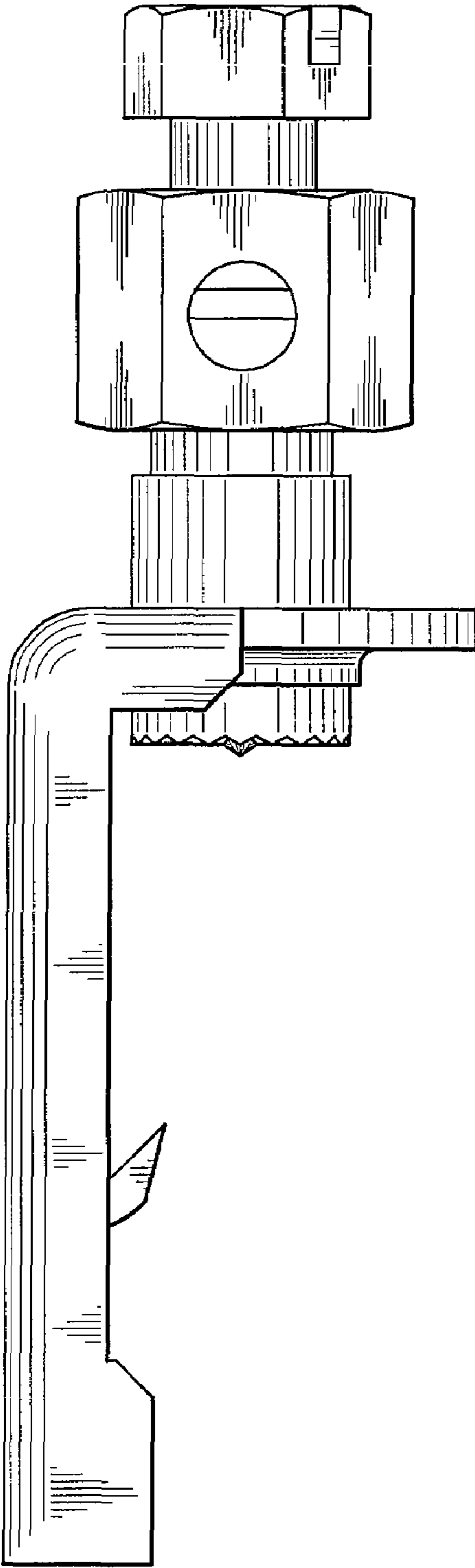


FIG. 3

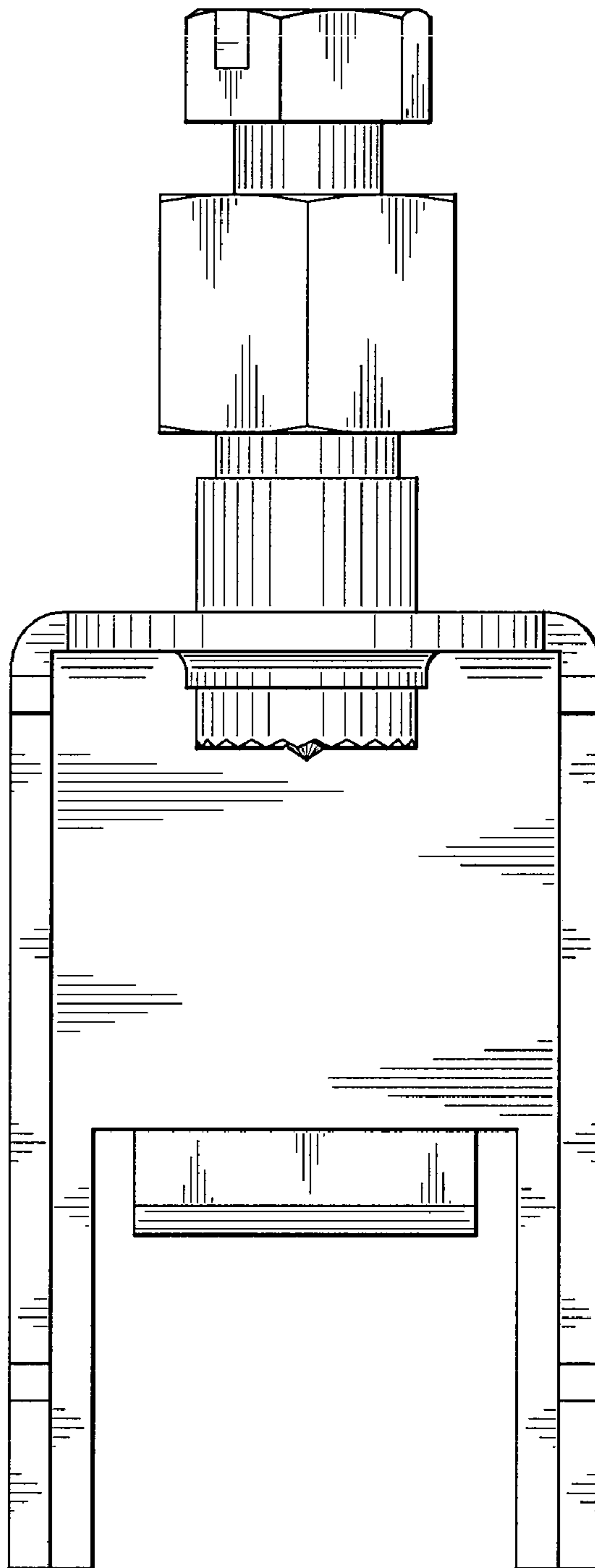


FIG. 4

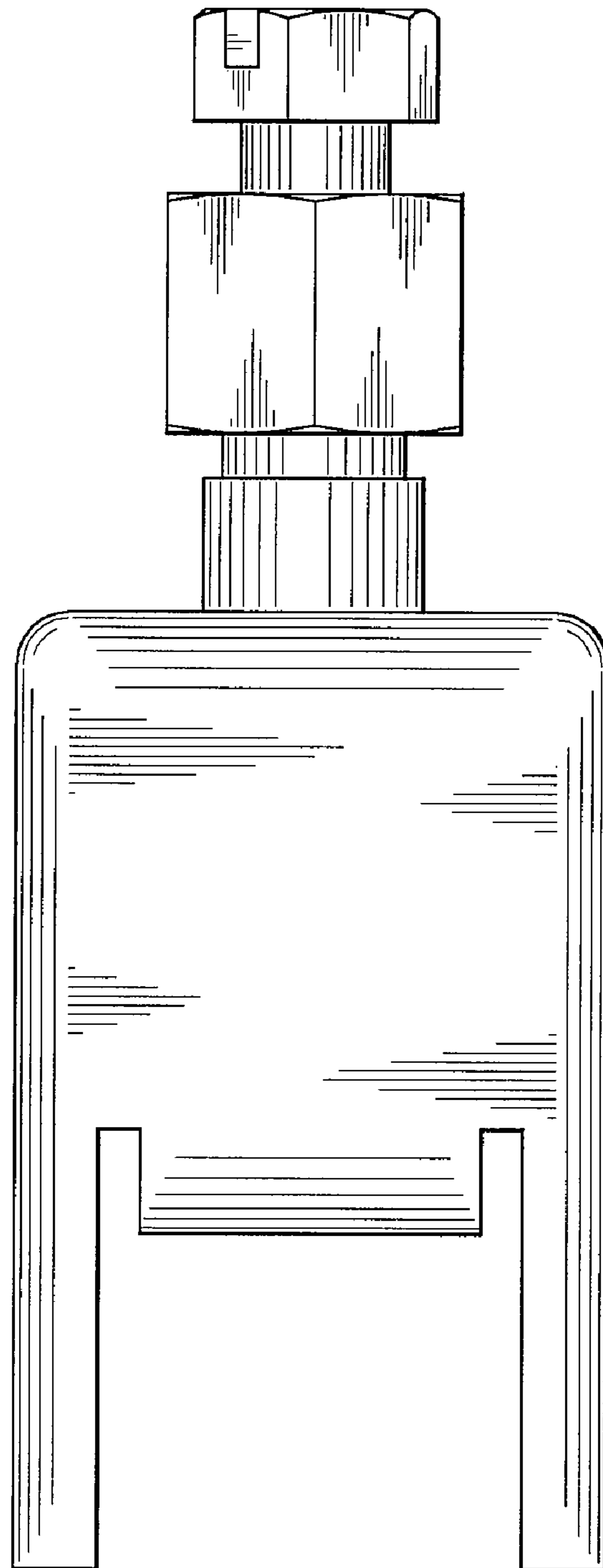


FIG. 5

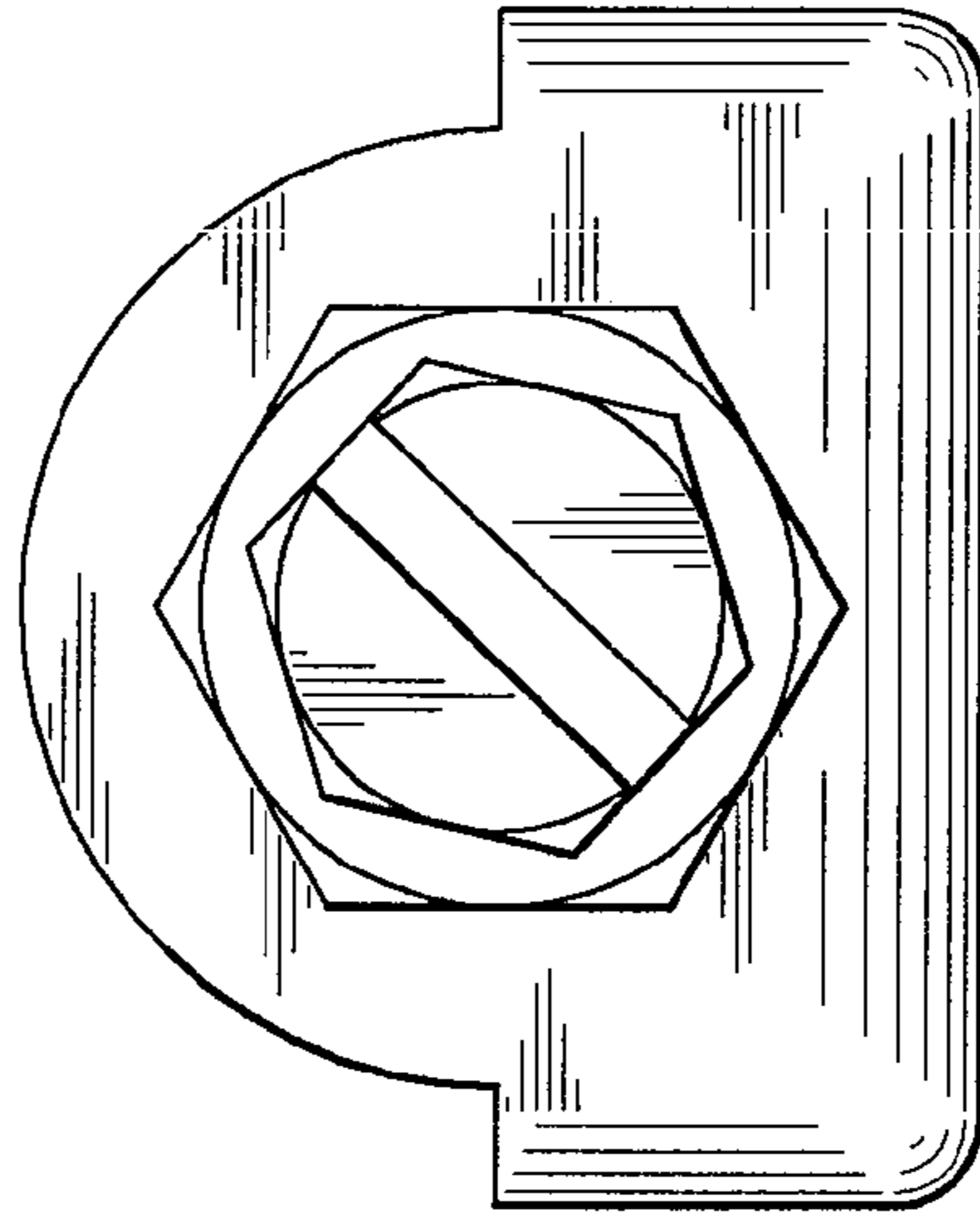


FIG. 6

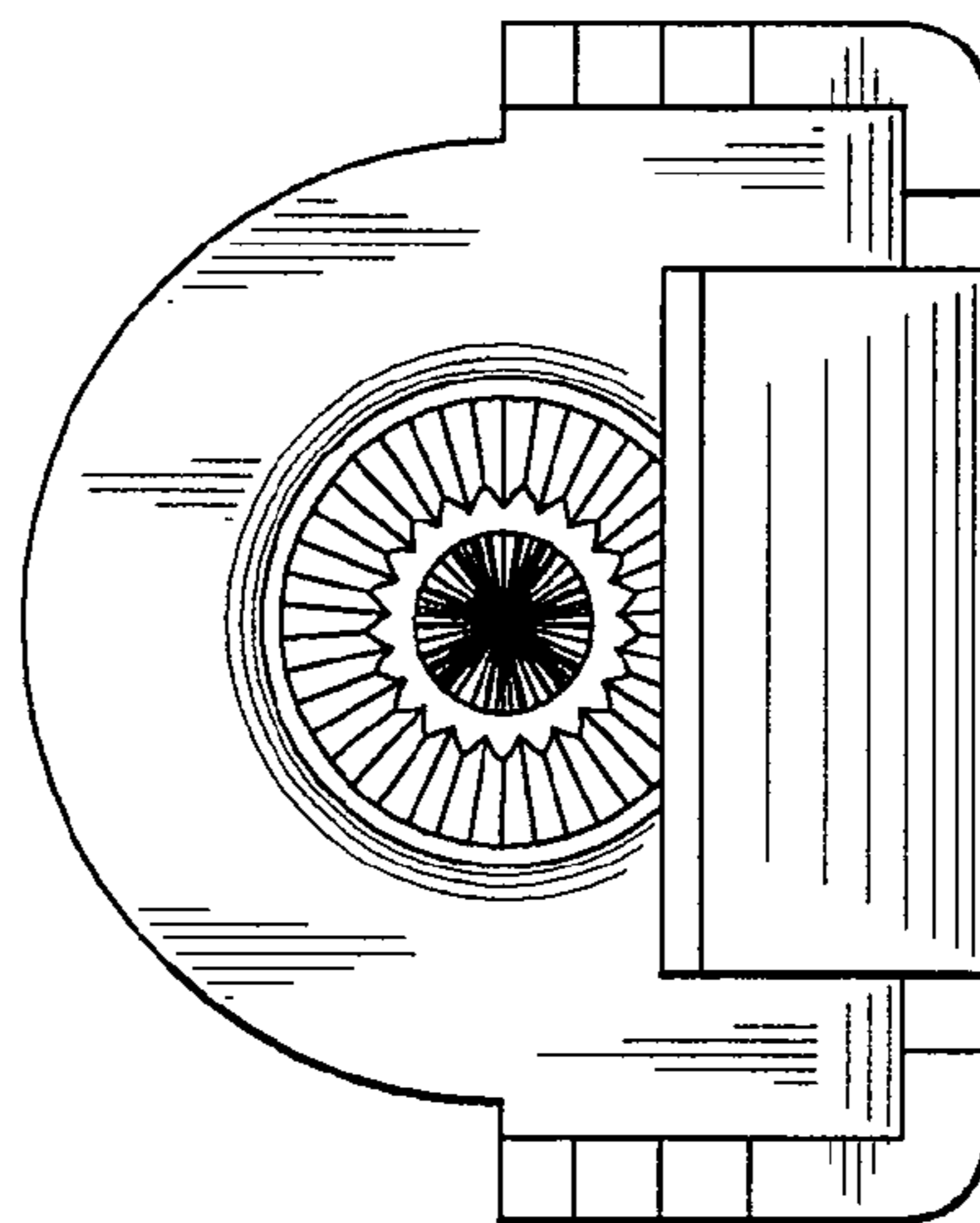


FIG. 7

