



US00D577556S

(12) **United States Design Patent**  
**O'Hern**

(10) **Patent No.:** **US D577,556 S**

(45) **Date of Patent:** **\*\* Sep. 30, 2008**

(54) **SAW**

7,134,508 B2 11/2006 Prell et al.

(75) Inventor: **Adam M. O'Hern**, Cockeysville, MD (US)

FOREIGN PATENT DOCUMENTS

(73) Assignee: **Black & Decker Inc.**, Newark, DE (US)

(\*\*) Term: **14 Years**

(21) Appl. No.: **29/247,619**

(22) Filed: **Jun. 29, 2006**

(51) **LOC (8) Cl.** ..... **08-03**

(52) **U.S. Cl.** ..... **D8/64**

(58) **Field of Classification Search** ..... D8/69,  
D8/68, 67, 66, 65, 64, 62, 61; 30/92, 394,  
30/393, 392, 377, 376, 371; 74/50, 49; 173/217,  
173/216; 83/699.21; 446/145

See application file for complete search history.

DE	365382	12/1922
DE	610082	3/1935
DE	2517877	11/1976
DE	3400635	7/1985
DE	3400679	7/1985
DE	3437804	7/1985
DE	19508570	9/1996
DE	19647993	5/1998
DE	41064242	10/2001
DE	40109686	7/2002
DE	40200721	7/2002
DE	40202493	7/2002
DE	40204834	12/2002
DE	4030993	11/2003
DE	40502458	10/2005
DM	018539	1/1991

(56) **References Cited**

(Continued)

U.S. PATENT DOCUMENTS

2,567,576 A	9/1951	Palumbo	
3,728,902 A	4/1973	McCaughey	
D266,222 S *	9/1982	Buscher	D8/61
4,756,239 A	7/1988	Hattori et al.	
D302,785 S *	8/1989	Cunningham	D8/64
4,991,298 A	2/1991	Matre	
D323,966 S *	2/1992	Tanabe	D8/97
D341,536 S *	11/1993	Fukuda et al.	D8/64
D379,291 S *	5/1997	Bunyea et al.	D8/64
6,007,541 A	12/1999	Scott	
D433,907 S *	11/2000	Fuchs et al.	D8/64
D436,011 S *	1/2001	Fuchs et al.	D8/64
D453,291 S *	2/2002	Huang	D8/97
D454,476 S *	3/2002	Bruno	D8/64
D466,784 S *	12/2002	Chen	D8/97
D492,560 S *	7/2004	Refson	D8/61
D500,651 S *	1/2005	Andriolo	D8/64
D510,513 S	10/2005	Aglessinger	
D523,719 S *	6/2006	Andriolo	D8/64
D524,619 S *	7/2006	Ng	D8/64

*Primary Examiner*—Cathron C. Brooks

*Assistant Examiner*—Austin Murphy

(74) *Attorney, Agent, or Firm*—Bruce S. Shapiro; John Yun; Wesley W. Muller

(57) **CLAIM**

The ornamental design for a saw, as shown and described.

**DESCRIPTION**

FIG. 1 is a left/front perspective view of a saw showing my new design.

FIG. 2 is a front view thereof.

FIG. 3 is a rear view thereof.

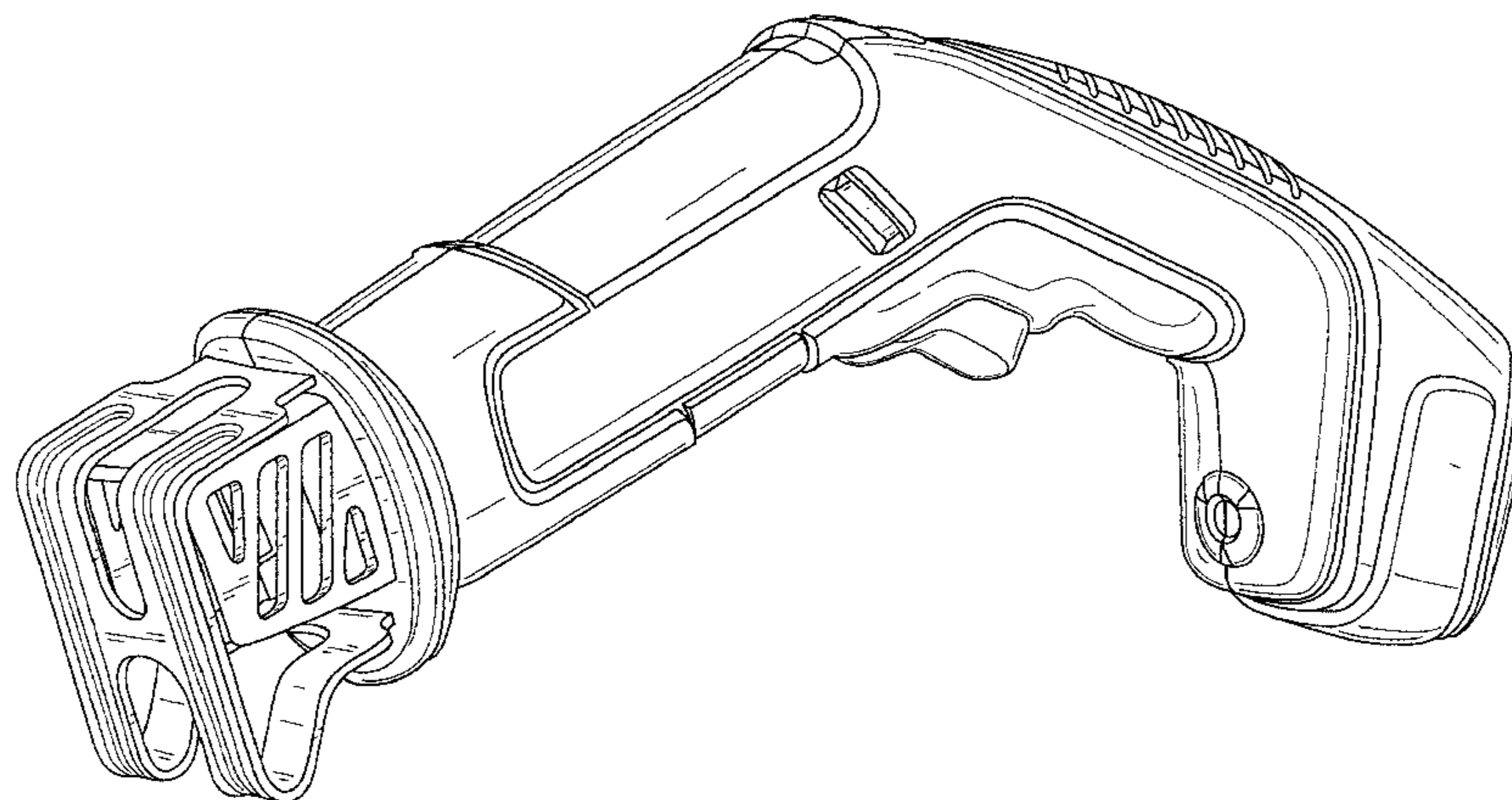
FIG. 4 is a right side view thereof.

FIG. 5 is a left side view thereof.

FIG. 6 is a top view thereof; and,

FIG. 7 is a bottom view thereof.

**1 Claim, 5 Drawing Sheets**



# US D577,556 S

Page 2

---

FOREIGN PATENT DOCUMENTS					
			FR	0306569	12/1991
			FR	431435-448	6/1996
			FR	250577	8/1998
EM	74646	9/2003	FR	583176-182	6/2000
EM	000073689	12/2003	FR	654192-207	2/2002
EM	000041165	3/2004	FR	670855-882	8/2002
EM	188792-5	5/2004	FR	707714-720	7/2003
EM	000142328	6/2004	FR	716670-685	11/2003
EM	280367	12/2004			
EM	295613-11	2/2005			
EM	000280367	3/2005			

\* cited by examiner

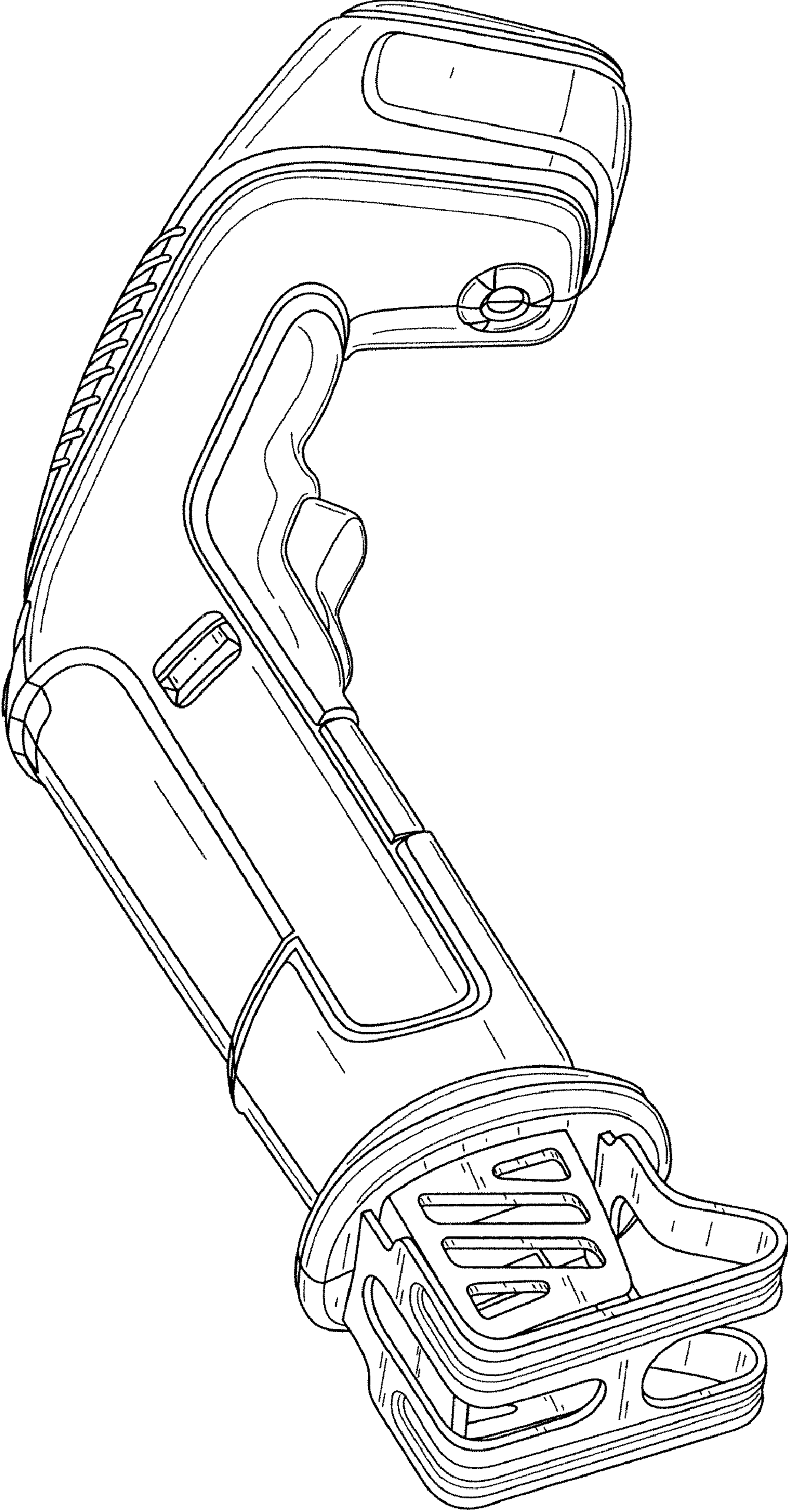


FIG. 1

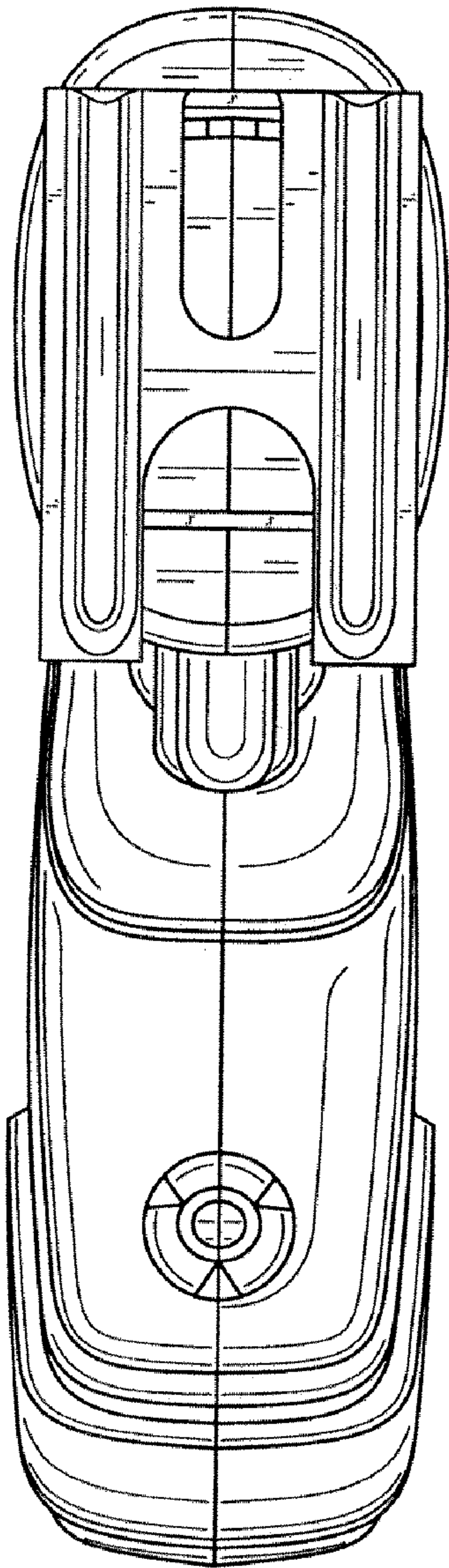


FIG. 2

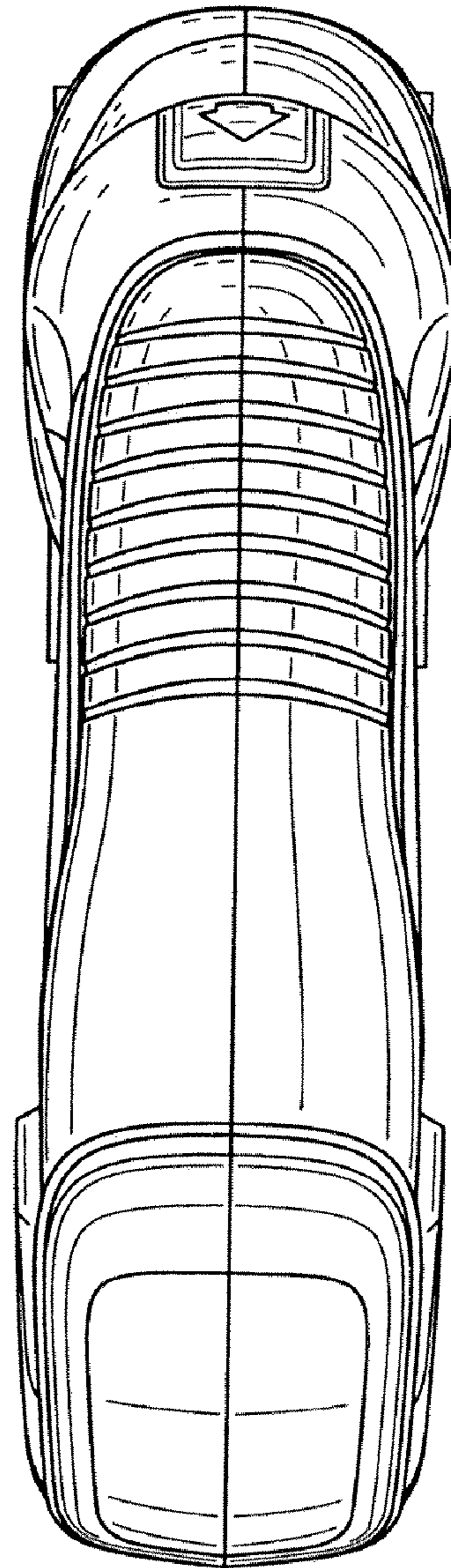


FIG. 3

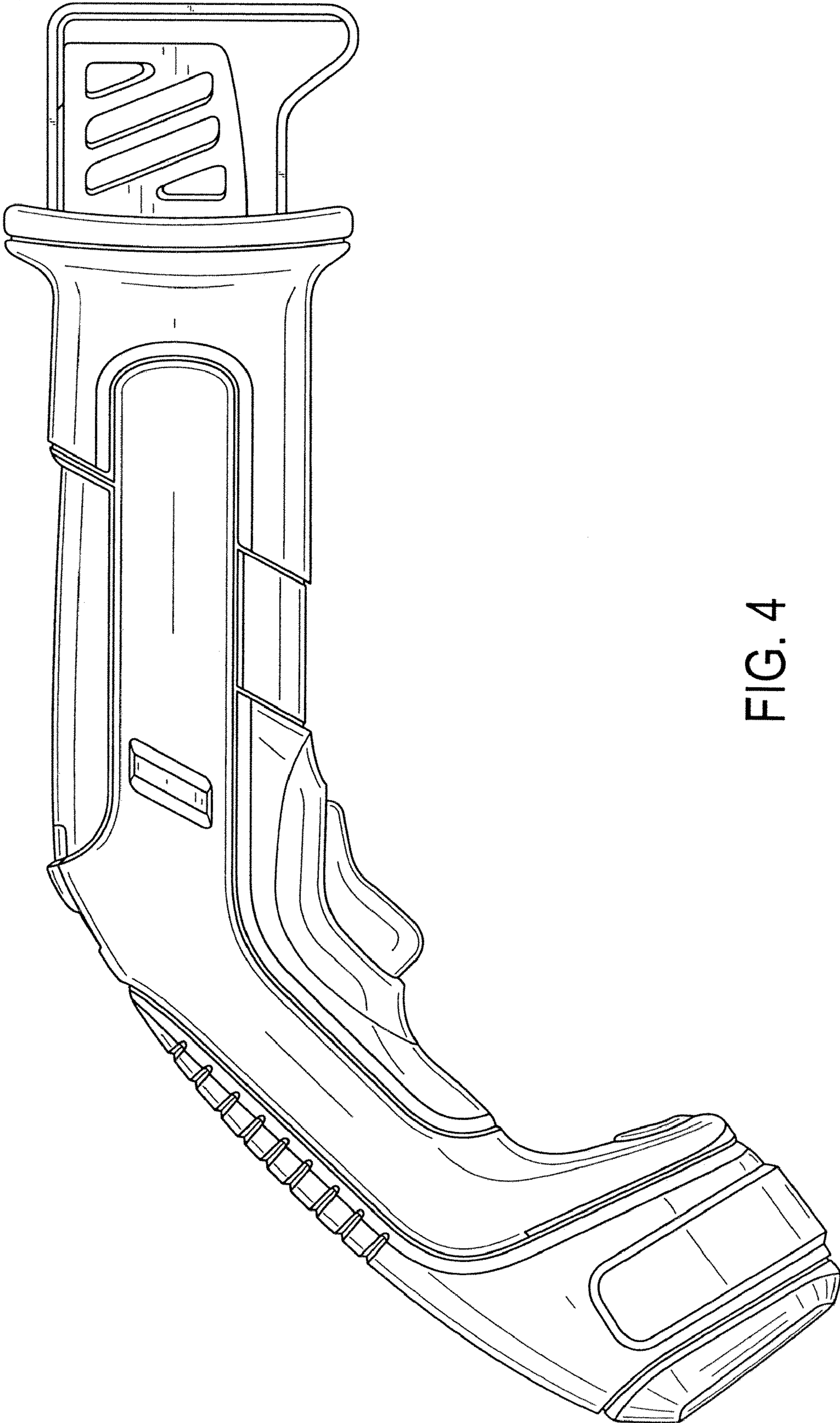


FIG. 4

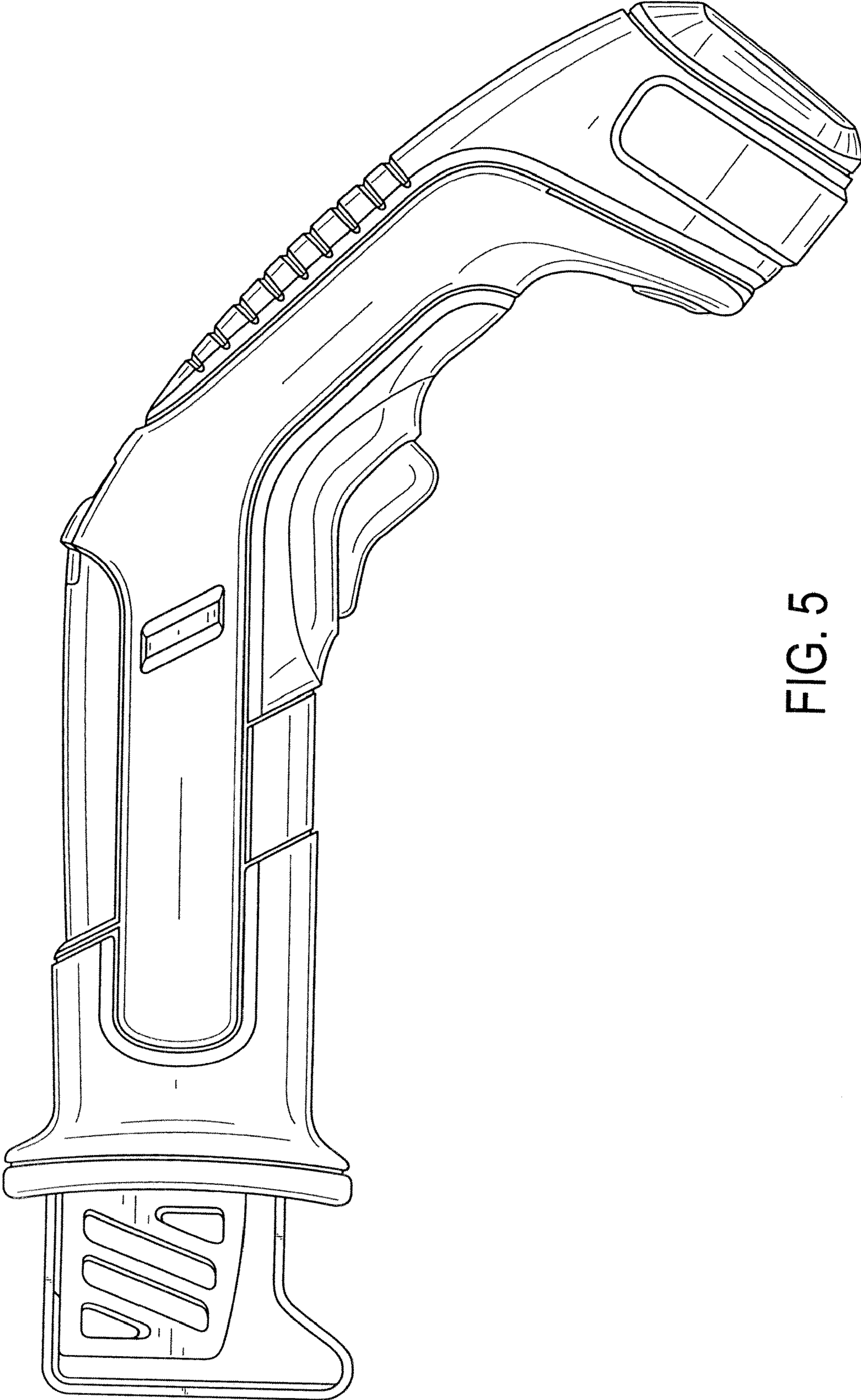


FIG. 5

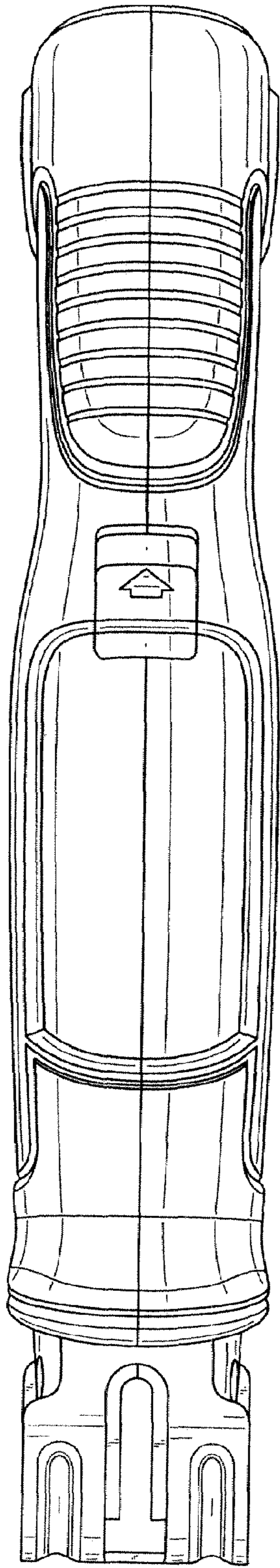


FIG. 6

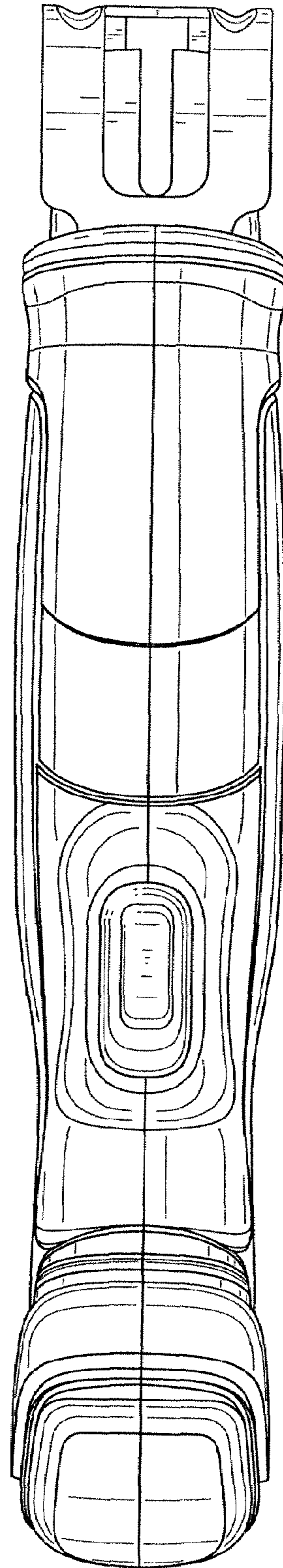


FIG. 7