



US00D577554S

(12) **United States Design Patent**
Geisler

(10) **Patent No.:** **US D577,554 S**

(45) **Date of Patent:** **** Sep. 30, 2008**

(54) **STAKE DRIVER**

(75) Inventor: **Lee Marvin Geisler**, Santa Barbara, CA
(US)

(73) Assignee: **Jeffrey Scott Aubery**, Santa Barbara,
CA (US)

(**) Term: **14 Years**

(21) Appl. No.: **29/283,555**

(22) Filed: **Aug. 16, 2007**

(51) **LOC (8) Cl.** **08-05**

(52) **U.S. Cl.** **D8/14; D8/75**

(58) **Field of Classification Search** D8/14,
D8/51, 75, 76, 77, 81; 81/20, 488; 173/90,
173/91

See application file for complete search history.

(56) **References Cited**

U.S. PATENT DOCUMENTS

- 4,261,424 A * 4/1981 Gonterman et al. 173/91
- 4,470,440 A * 9/1984 Thor 144/195.5
- 4,624,323 A * 11/1986 Burrola 173/90

- 5,025,867 A * 6/1991 Muller 173/90
- 5,337,836 A * 8/1994 Williams 173/90
- D365,475 S * 12/1995 Sargent, III D6/481
- 5,564,304 A * 10/1996 Schlabach 72/479
- D440,837 S * 4/2001 Hart et al. D8/14
- 7,093,669 B2 * 8/2006 Walsh 173/90

* cited by examiner

Primary Examiner—Philip S Hyder

(74) *Attorney, Agent, or Firm*—Julio M. Loza; Loza & Loza,
LLP

(57) **CLAIM**

The ornamental design for a stake driver, as shown and described.

DESCRIPTION

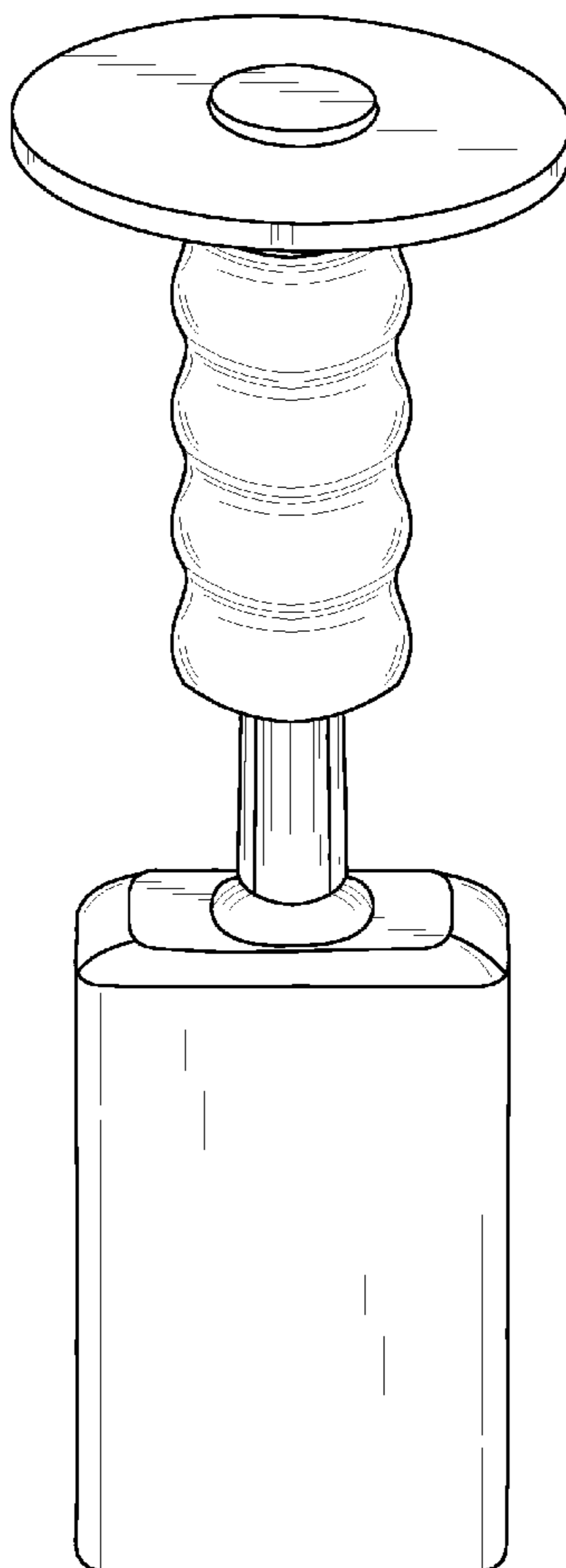
FIG. 1 is a perspective view of the stake driver, showing my new design;

FIG. 2 is a side view of the stake driver;

FIG. 3 is a top view of the stake driver; and,

FIG. 4 is a bottom view of the stake driver.

1 Claim, 2 Drawing Sheets



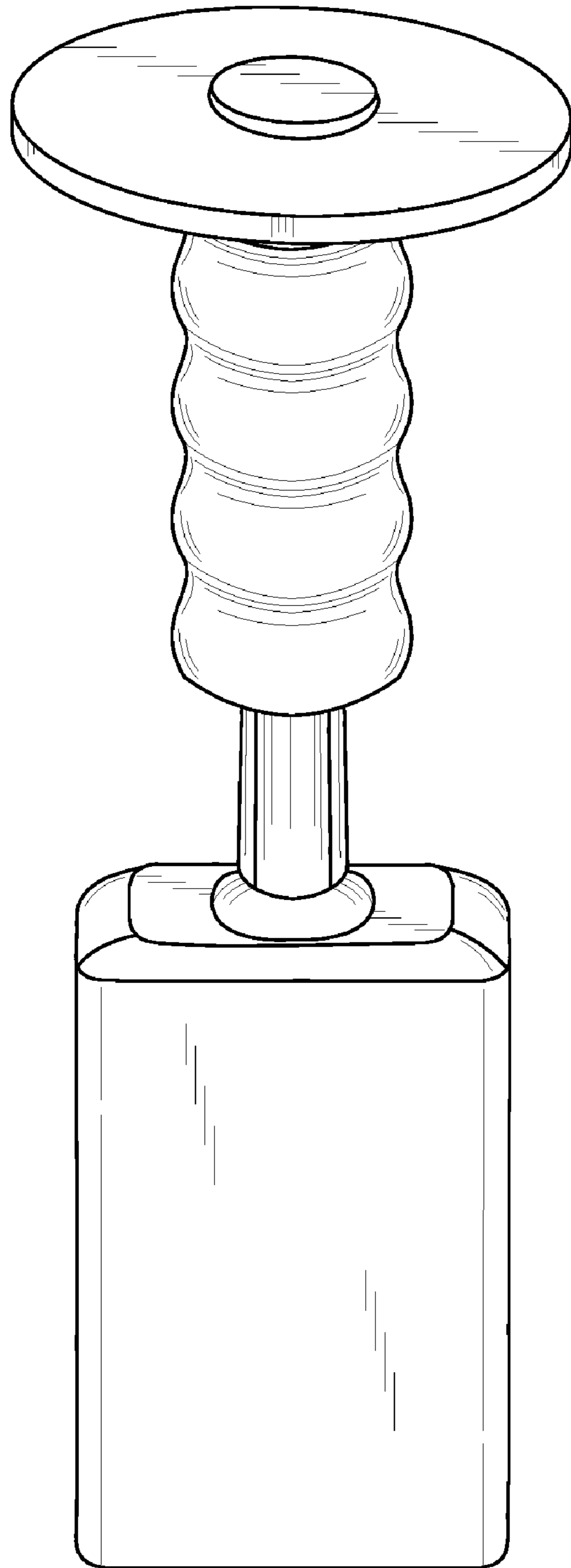


FIG. 1

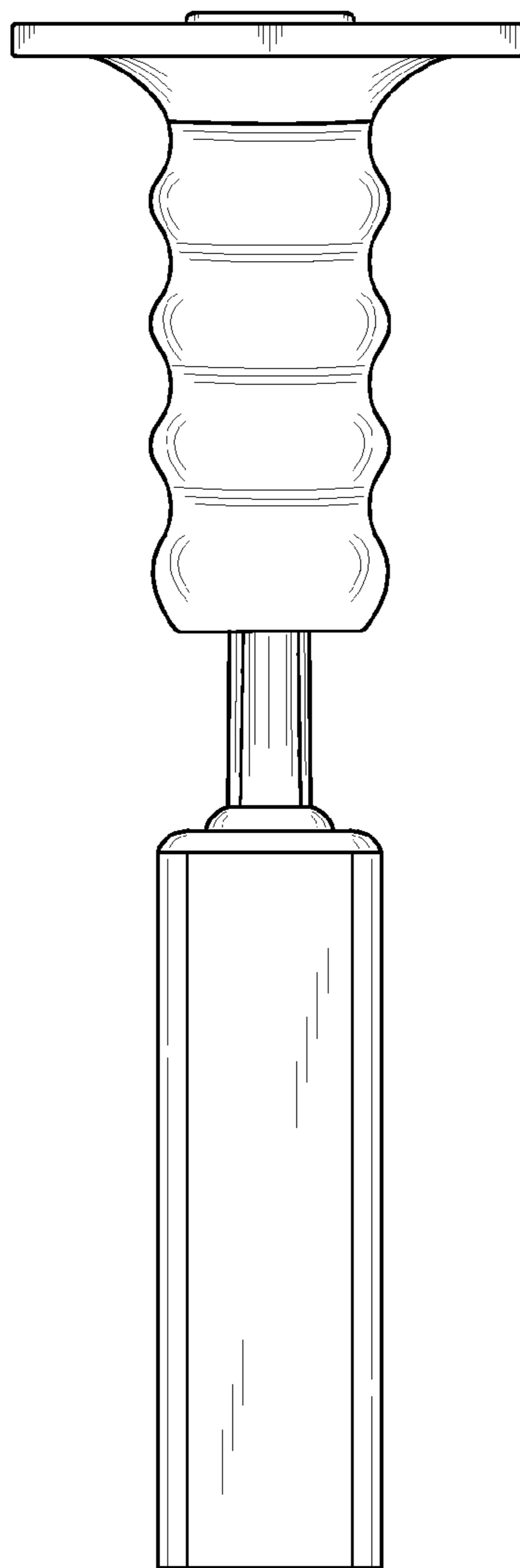


FIG. 2

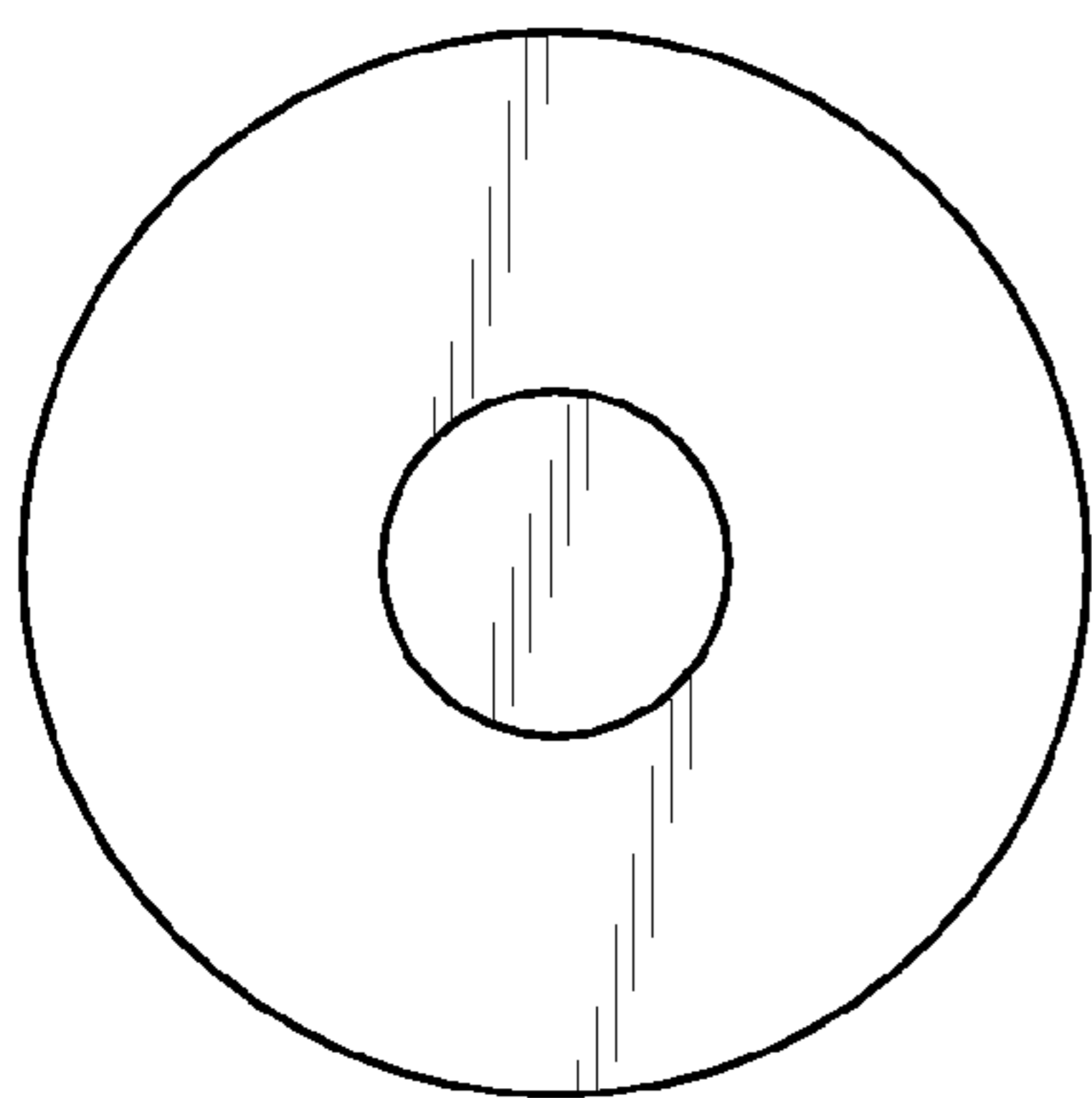


FIG. 3

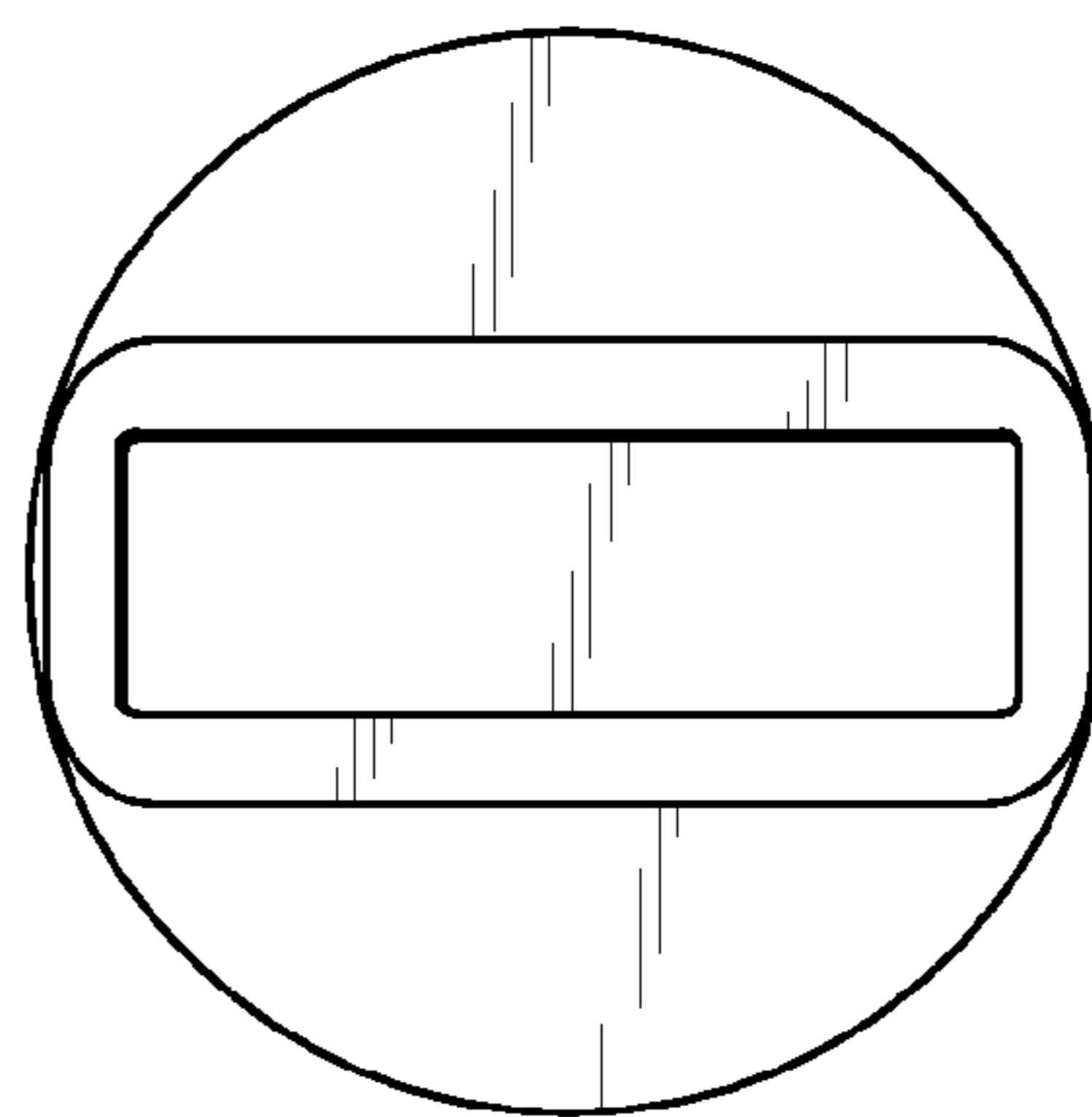


FIG. 4