



US00D577553S

(12) **United States Design Patent**  
**Faust**

(10) **Patent No.:** **US D577,553 S**  
(45) **Date of Patent:** **\*\* Sep. 30, 2008**

(54) **EXTENSION POLE MALE REPAIR TOOL**

(76) Inventor: **Jerry L. Faust**, 17289 Mariposa Ave.,  
Riverside, CA (US) 92504

(\*\*) Term: **14 Years**

(21) Appl. No.: **29/271,326**

(22) Filed: **Jan. 16, 2007**

(51) **LOC (8) Cl.** ..... **08-05**

(52) **U.S. Cl.** ..... **D8/14; D8/47**

(58) **Field of Classification Search** ..... D8/14,  
D8/1, 45, 47, 107, 402; D21/386, 389, 470,  
D21/487; D28/88, 76; 273/288; D9/504;  
D15/139, 143; 464/93; D22/115, 116  
See application file for complete search history.

(56) **References Cited**

**U.S. PATENT DOCUMENTS**

1,405,988	A *	2/1922	Erwin	.....	273/260
1,527,051	A *	2/1925	Longan	.....	434/235
D170,489	S *	9/1953	Wright	.....	D21/389
D171,286	S *	1/1954	Ohme	.....	D21/389
D211,590	S *	7/1968	Watson	.....	D21/389
D225,117	S *	11/1972	Evanoff	.....	D21/389
D231,844	S *	6/1974	Singleton	.....	D21/389
D234,188	S *	1/1975	Otis	.....	D9/428
D248,785	S *	8/1978	Haber	.....	D21/389
D270,363	S *	8/1983	Nichols	.....	D21/389
D336,094	S *	6/1993	Dejanon	.....	D15/138
D349,307	S *	8/1994	Rockwell	.....	D21/389

D406,921	S *	3/1999	Roeder	.....	D28/7
D415,859	S *	10/1999	Gobe	.....	D28/76
D493,198	S *	7/2004	Starkel	.....	D21/389
6,857,662	B2 *	2/2005	Chu	.....	285/24
6,945,332	B2 *	9/2005	Uehara	.....	172/22
D522,367	S *	6/2006	Bakic	.....	D9/504
D522,866	S *	6/2006	Bakic	.....	D9/521
D548,084	S *	8/2007	Dittmer et al.	.....	D9/504
2004/0179977	A1 *	9/2004	Hargett, Jr.	.....	422/102
2005/0159225	A1 *	7/2005	Gilbert	.....	464/93

\* cited by examiner

*Primary Examiner*—Philip S Hyder

(74) *Attorney, Agent, or Firm*—Loyal McKinley Hanson

(57) **CLAIM**

I claim the ornamental design for an extension pole male repair tool, as shown.

**DESCRIPTION**

FIG. 1 of the drawings is a perspective view showing the front, right side, and top of an extension pole male repair tool embodying the design of my invention, with a typical extension pole environment depicted by phantom lines that are for example only and form no part of the claimed invention;

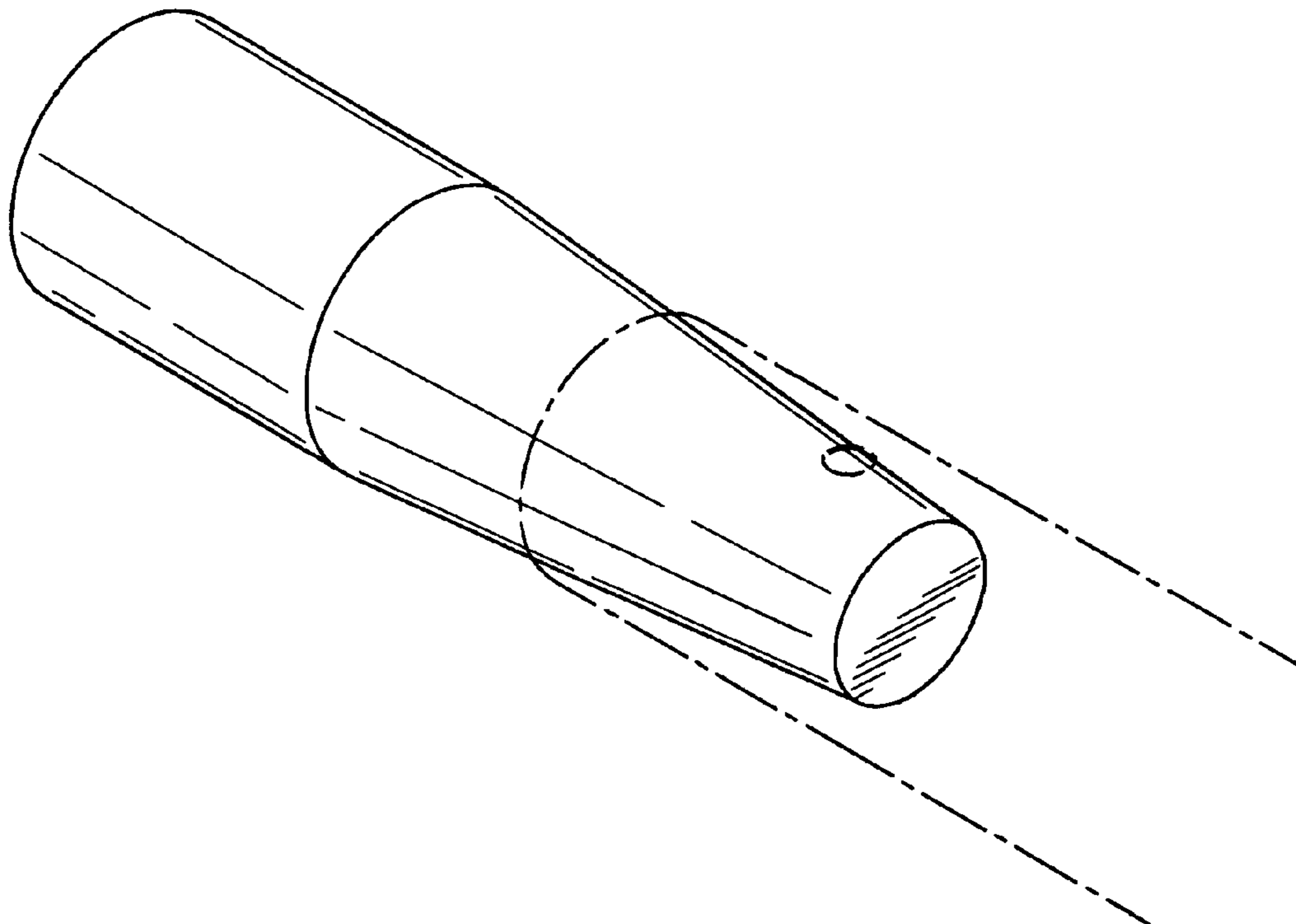
FIG. 2 is a front view;

FIG. 3 is a left side view;

FIG. 4 is a bottom view; and,

FIG. 5 is a back view.

**1 Claim, 1 Drawing Sheet**



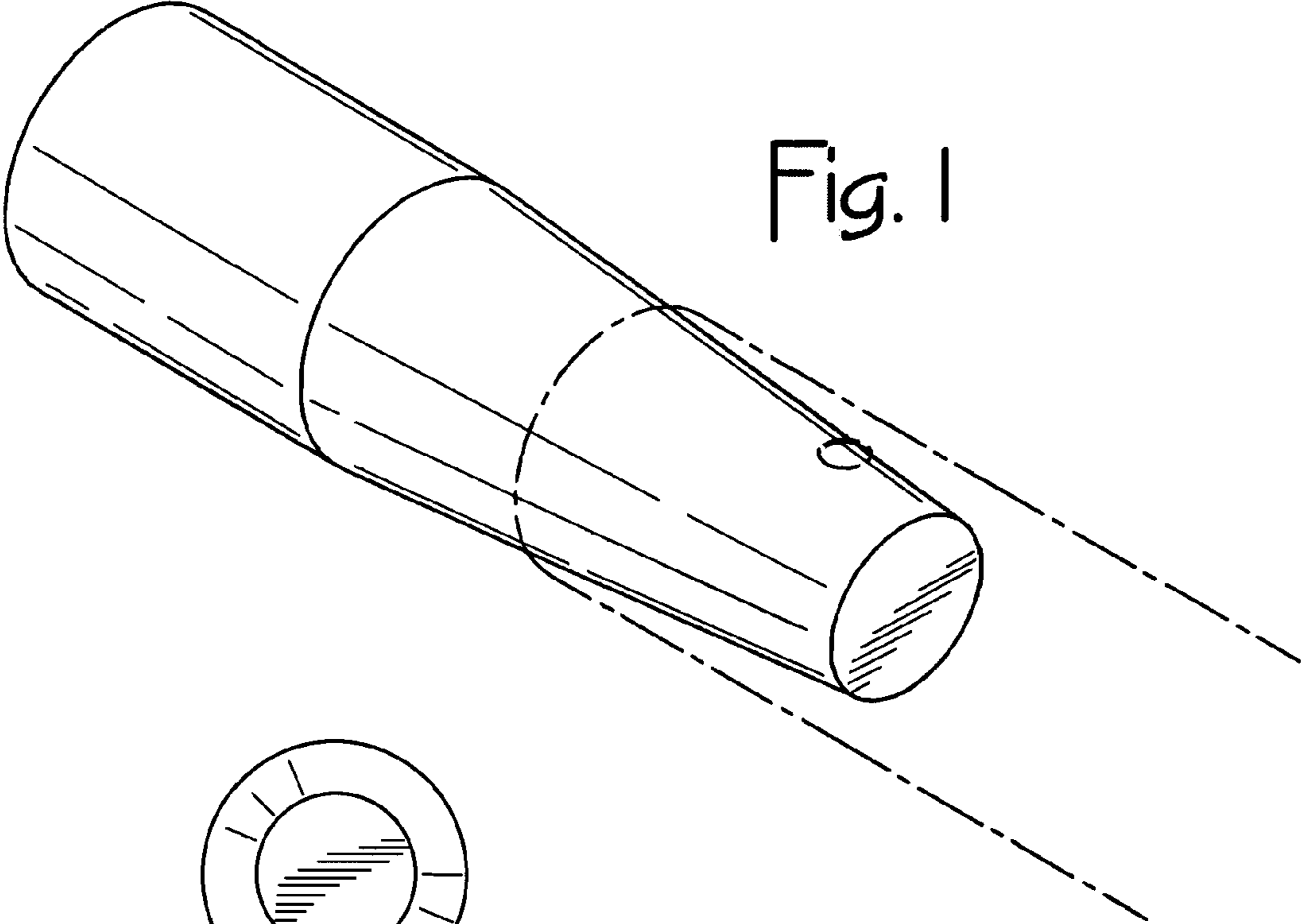


Fig. 1

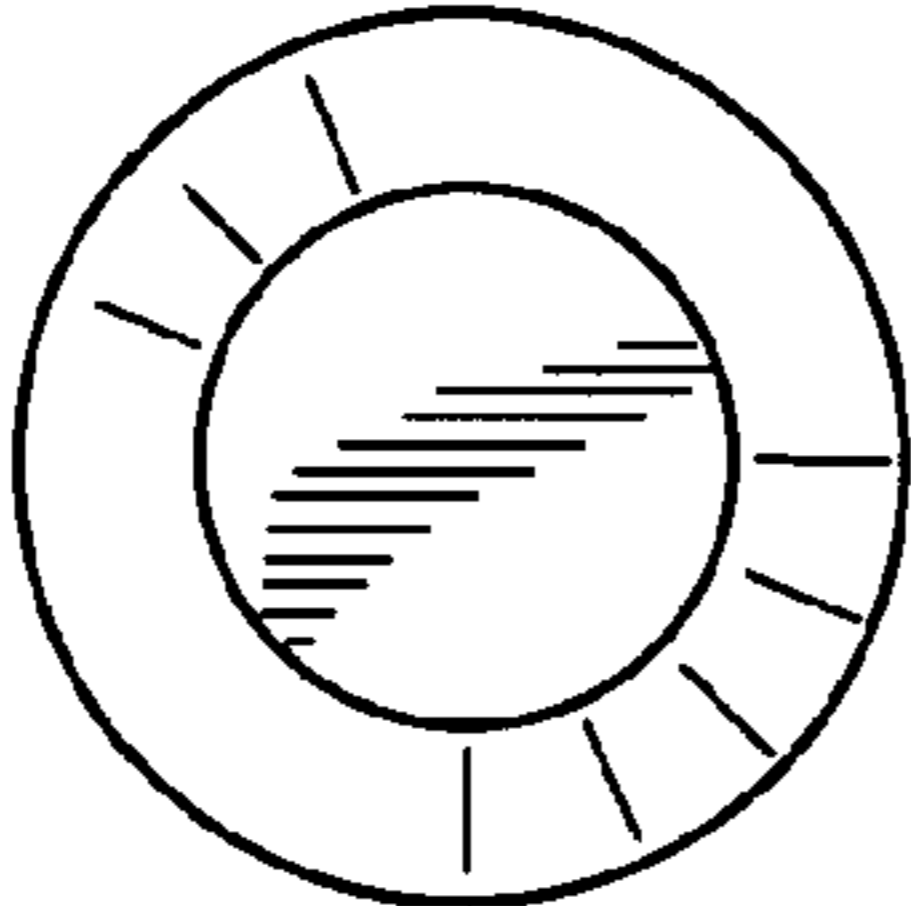


Fig. 2

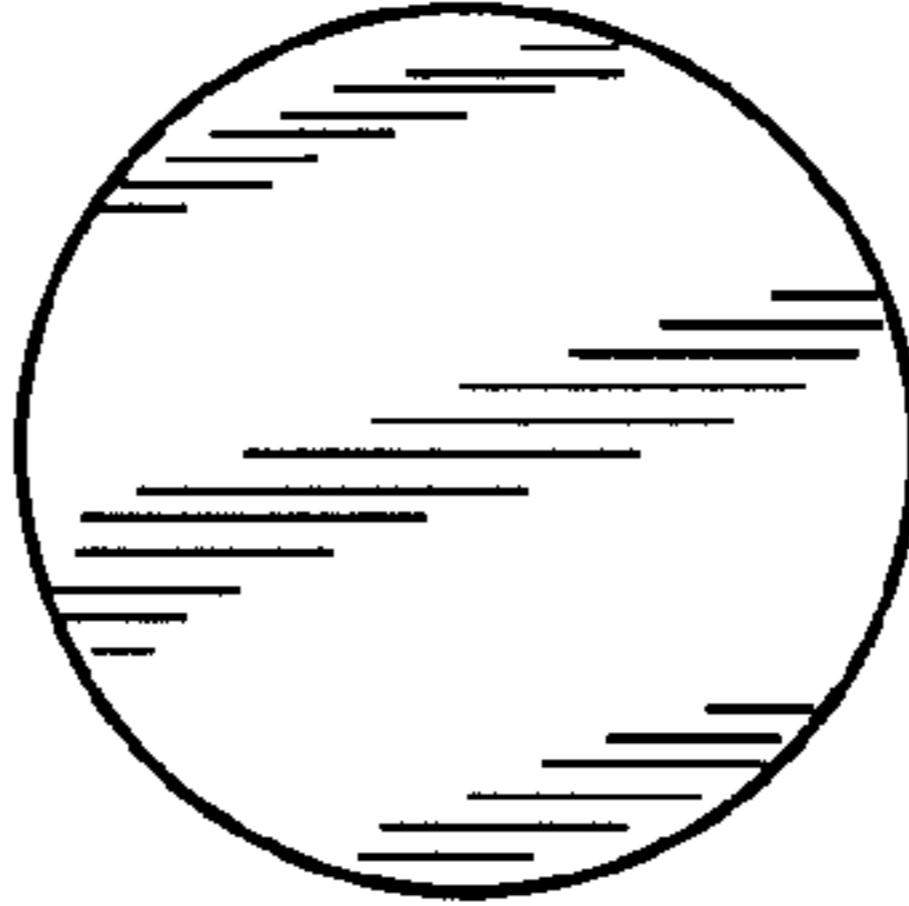


Fig. 5

Fig. 3

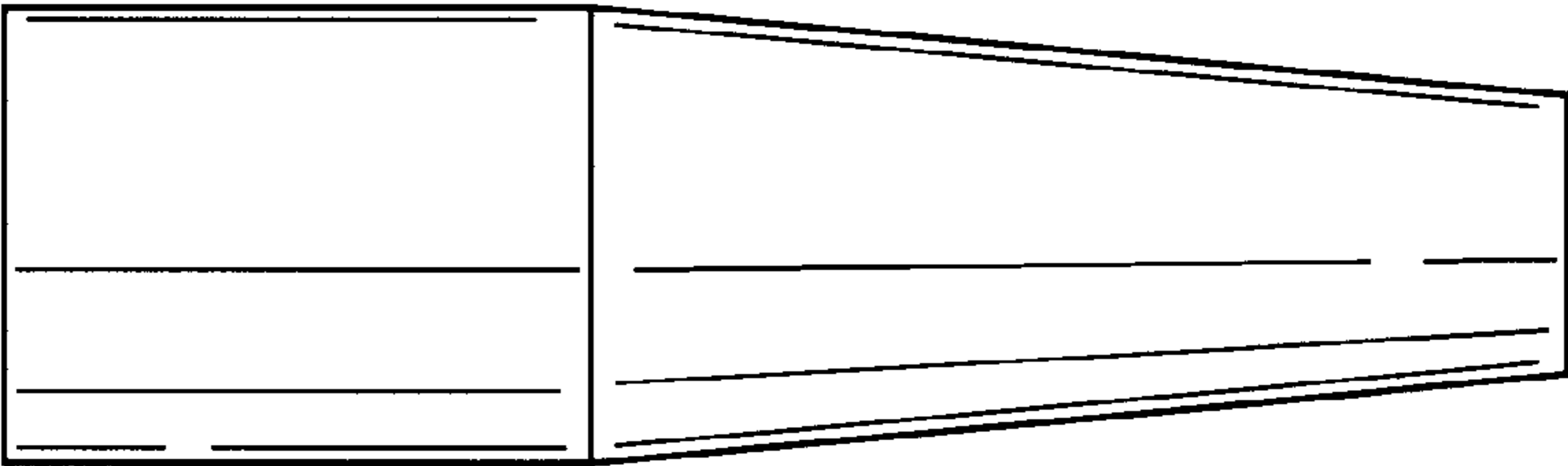


Fig. 4

