



US00D577552S

(12) **United States Design Patent**  
**Chalfant et al.**

(10) **Patent No.:** **US D577,552 S**  
(45) **Date of Patent:** **\*\* Sep. 30, 2008**

(54) **ZESTER BLADE**

5,997,221 A \* 12/1999 Sadler ..... 407/29.1

(75) Inventors: **Louis Chalfant**, Russellville, AR (US);  
**Carter W. McGuyer**, Muscle Shoals,  
AL (US); **Christopher R. Grace**,  
Russellville, AR (US)

\* cited by examiner

*Primary Examiner*—Terry A Wallace  
(74) *Attorney, Agent, or Firm*—Ladas & Parry LLP

(73) Assignee: **Grace Manufacturing Inc.**,  
Russellville, AR (US)

(57) **CLAIM**

The ornamental design of a zester blade, as shown and described.

(\*\*) Term: **14 Years**

(21) Appl. No.: **29/278,910**

**DESCRIPTION**

(22) Filed: **Apr. 13, 2007**

FIG. 1 is a perspective view of the zester blade displaying the ornamental features of the present invention and as seen from beneath the blade;

(51) **LOC (8) Cl.** ..... **07-06**

(52) **U.S. Cl.** ..... **D7/678**

(58) **Field of Classification Search** ..... D7/672–676,  
D7/678, 693, 381; 241/92–95, 100, 168,  
241/169, 169.1, 273.1–273.4, 285.2, 280,  
241/287, 274, 275; 99/495, 508–513; 407/29.15,  
407/29.1

FIG. 2 is a bottom plan view of the zester blade of FIG. 1;

FIG. 3 is an end plan view of the zester blade of FIG. 1 as seen from the end upon which the tips are formed;

FIG. 4 is a view similar to FIG. 3, but taken from the opposite end of the zester blade;

See application file for complete search history.

FIG. 5 is a side elevation of the zester blade of FIG. 1;

FIG. 6 is a perspective view of the zester blade as seen from above and with a handle in place; and,

FIG. 7 is a view of the end of the zester blade of FIG. 1 as shown in FIG. 3, in perspective and taken along arc 7–7.

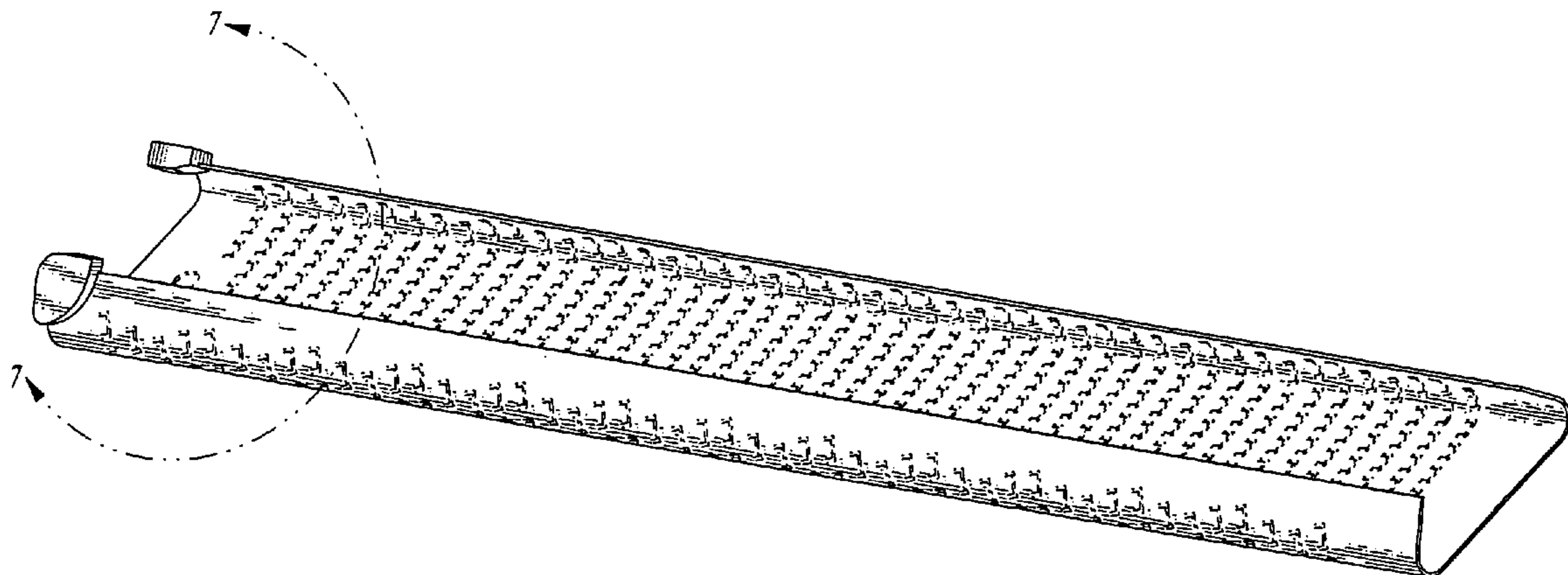
The portions of the zester blade handle shown in dotted lines in FIG. 6 are for purposes of illustration only and do not form part of the claimed design.

(56) **References Cited**

**U.S. PATENT DOCUMENTS**

3,501,821	A *	3/1970	Ford	.....	407/29.15
3,606,709	A *	9/1971	Countryman	.....	407/29.15
4,537,207	A *	8/1985	Gilhaus	.....	132/76.4
4,587,868	A *	5/1986	Kuwica	.....	407/29.15
D347,979	S *	6/1994	Feer et al.	.....	D7/678
D378,336	S *	3/1997	Pedrini	.....	D7/678

**1 Claim, 2 Drawing Sheets**



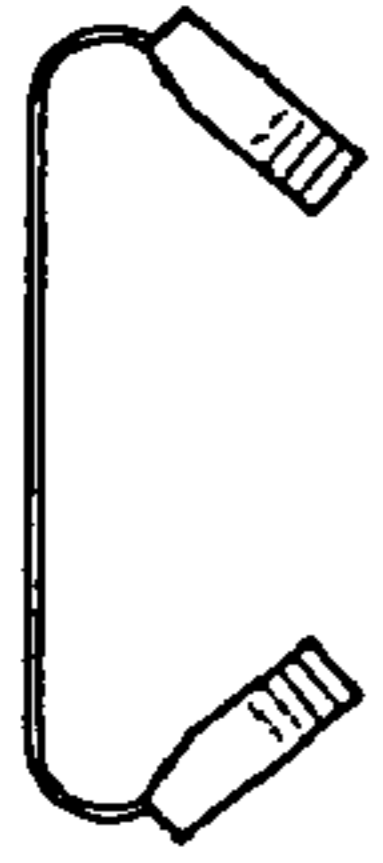
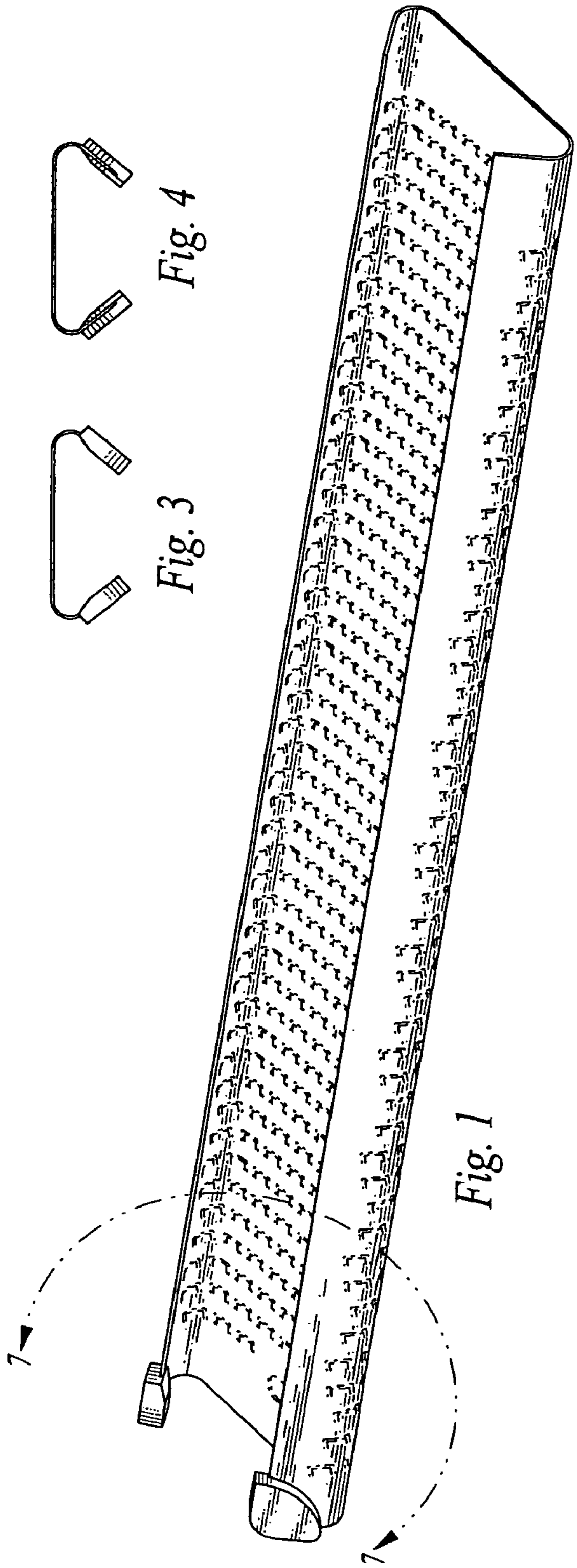


Fig. 3

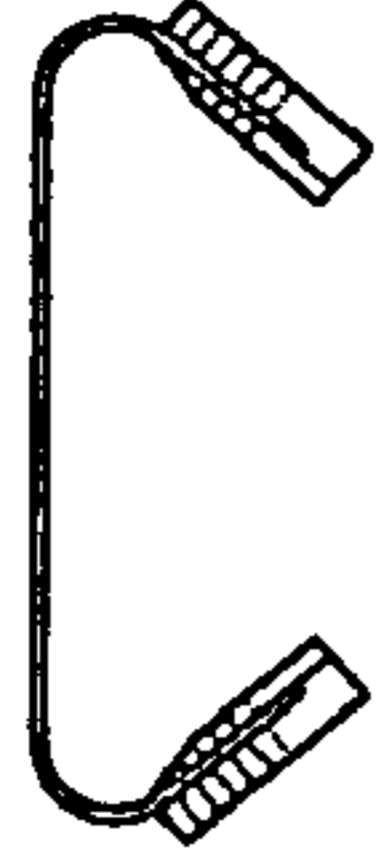


Fig. 4

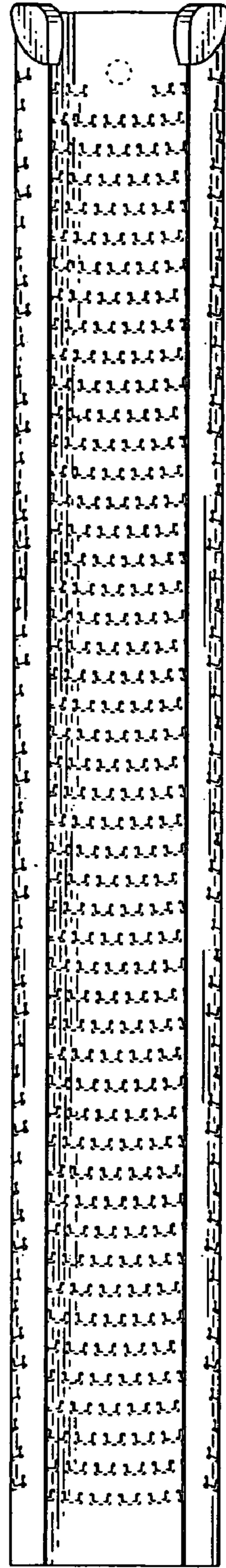


Fig. 2

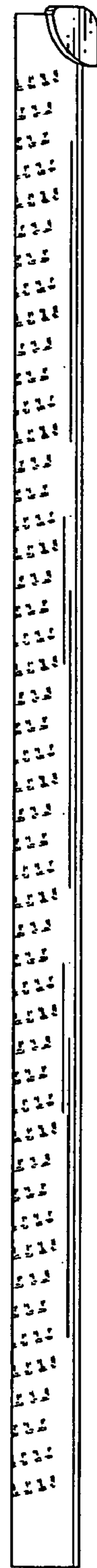


Fig. 5

